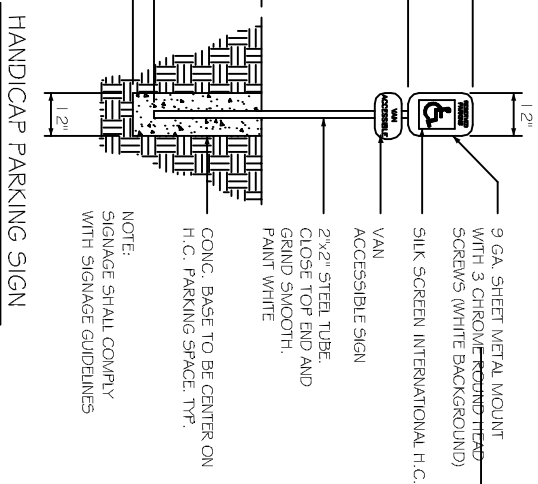
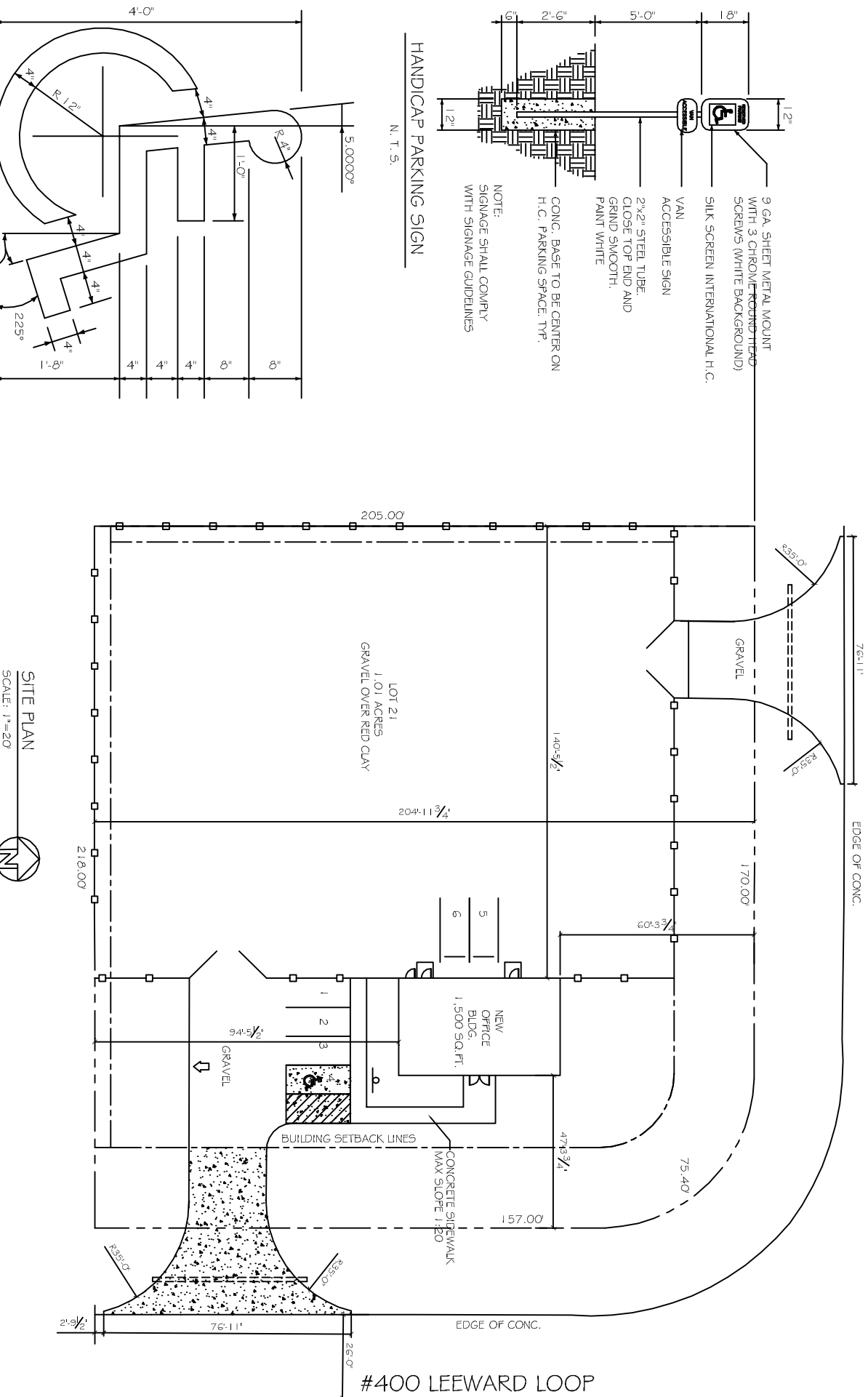
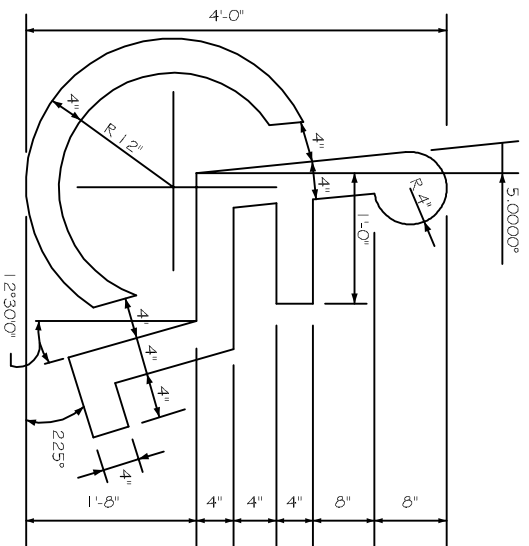


LEEWARD LOOP



HANDICAP PARKING SIGN

N. T. S.



HANDICAP SYMBOL DETAIL

N. T. S.

SITE PLAN

SCALE: 1"=20'



SITE LIGHTING

EXTERIOR LIGHTING SHALL BE SHADED OR INWARDLY DIRECTED IN SUCH A MANNER SO THAT NO DIRECT LIGHTING OR GLARE BE CAST BEYOND THE PROPERTY LINE. THE INTENSITY OF SUCH LIGHTING SHALL NOT EXCEED ONE FOOT CANDLE AS MEASURED AT THE ADJUTING PROPERTY LINE. (N/A FOR THIS PARTICULAR JOB)

SITE PLAN NOTES

1. ROOFING MATERIAL : METAL ROOFING PANEL
2. SIDING MATERIAL : CONVENTIONAL STUCCO VENEER & METAL PANELS.
3. UTILITIES : ALL UTILITIES SHALL BE PLACED UNDERGROUND

OFFICE/WAREHOUSE PARKING REQUIREMENTS

1 SPACE PER EACH 700 SQ. FT. OF STORAGE AREA PLUS 1 SPACE PER EACH 400 SQ. FT. OF OFFICE, SALES OR OTHER SPACE TO BE USED BY VISITORS, CUSTOMERS OR SALESMEN.  
 1,500 SQ. FT. BUILDING TOTAL WAREHOUSE = 2 PARKING SPACES  
 1,500 SQ. FT. OF SALES = 4 PARKING SPACES  
 TOTAL PARKING PROVIDED = 6

SITE LEGEND

- - - - - PROPERTY LINE
- - - - - BUILDING SETBACK MINIMUM
- - - - - HANDICAP PARKING
- - - - - HANDICAP PARKING SIGN
- - - - - 8' HIGH WOOD FENCE

REVISIONS

#	DESCRIPTION	DATE

LANDIS TRANSPORT LLC  
OFFICE/WAREHOUSE BUILDING

LOT 21 #400 LEEWARD LOOP  
ST. TAMMANY PARISH COVINGTON, LOUISIANA

JOB No:	2164	DATE:	01-30-2013
DRAWN BY:	CD	CHECKED BY:	CD



**DAMMON**  
ENGINEERING, INC.  
Architects & Engineers

CHIEF ENGINEER: EMMETT DAMMON, P.E.  
CHIEF ARCHITECT: KEVIN KINCHEN  
554 OLD SPANISH TRAIL  
SUDELL, LA 70458

dammoneng@earthlink.net  
dammoneng@bellsouth.net  
PHONE: 985-649-5832  
FAX: 985-641-5950

SITE PLAN

SHEET No: 2 OF 9

C1