

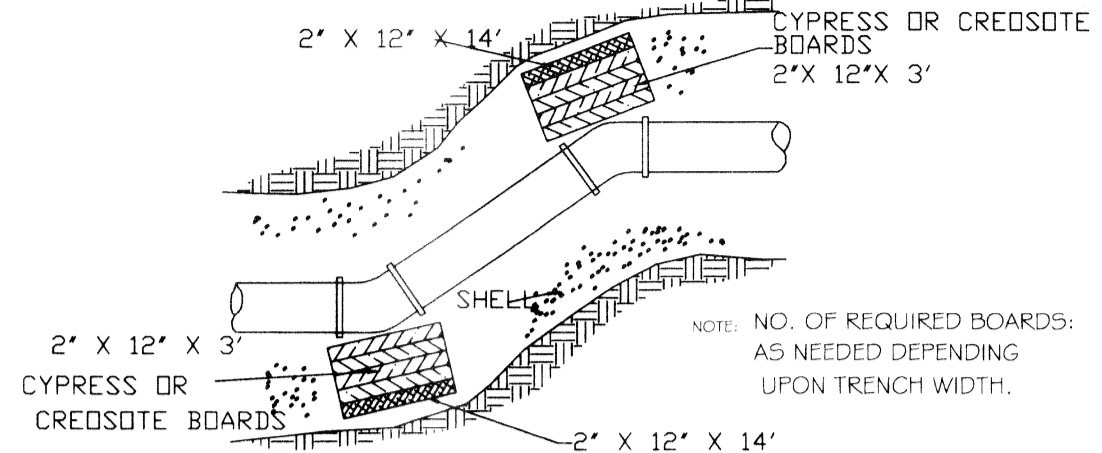
TYPICAL VALVE & VALVE BOX DETAIL

SOIL	SIZE	1/4 BEND				1/8 BEND				1/16 BEND				TEE				PLUG			
		A	B	A'	B'	A	B	A'	B'	A	B	A'	B'	A	B	A'	B'	A	B	A'	B'
4000 PSF	6"	8	10	6	8	3	8	8	10	15	15	15	15	15	15	15	15	15	15	15	15
	8"	12	12	8	10	5	9	9	12	20	20	20	20	20	20	20	20	20	20	20	20
	10"	16	14	10	12	6	10	10	14	25	25	25	25	25	25	25	25	25	25	25	25
	12"	19	16	12	14	8	11	11	16	30	30	30	30	30	30	30	30	30	30	30	30
	14"	23	18	14	16	10	12	12	18	34	34	34	34	34	34	34	34	34	34	34	34
2000 PSF	6"	16	10	9	10	6	8	8	10	12	12	12	12	12	12	12	12	12	12	12	12
	8"	22	13	12	13	8	10	10	12	12	12	12	12	12	12	12	12	12	12	12	12
	10"	26	17	14	17	10	13	13	16	20	14	16	20	14	16	16	20	14	16	16	20
	12"	29	21	16	21	11	16	16	18	24	16	18	24	16	18	18	24	16	18	18	24
	14"	35	24	19	24	12	16	16	20	22	18	20	22	18	20	20	22	18	20	20	22
16"	39	27	21	27	12	18	18	24	24	20	24	24	20	24	24	24	20	24	24	24	

NOTES: ALL DIMENSIONS ARE IN INCHES. TO BE USED FOR WATER LINES AND SEWER FORCE MAINS.

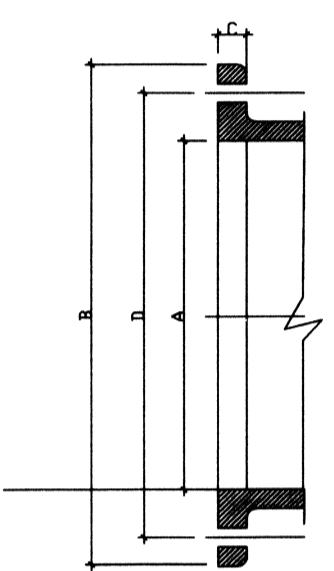
CRANE A.W.W.A. STANDARD VALVES									
FLANGES				BOLTS		E F			
A	B	C	D	NO.	DIA.	E	F	F	F
6	6	11	1	9	1/8	8	3/4	10	1/2
8	8	13	1/2	11	9/16	11	3/4	11	1/2
10	10	15	1	13	5/8	13	7/8	13	1/2
12	12	17	1	15	5/8	15	7/8	15	1/2
14	14	19	1	17	5/8	17	7/8	17	1/2
16	16	21	1	19	5/8	19	7/8	19	1/2

WATER VALVES SHALL MEET THE REQUIREMENTS OF AWWA SPECIFICATION C-500 - STANDARD SPECIFICATION FOR VALVES FOR WORKING PRESSURES UP TO AND INCLUDING 200 PSI - THAT THEY BE IRON-BODIED BRONZE MOUNTED DOUBLE DISC PARALLEL SEAT TYPE GATE VALVES WITH NON-RISING STEMS (SEE FRANK SERIES) WITH 2" OPERATING NUTS MARKED TO INDICATE THE DIRECTION OF OPENING BEING COUNTER-CLOCKWISE THAT ALL VALVE STEMS HAVE NEWLY PACKED TOP RING SEALS AND THAT ALL VALVES 2" AND LARGER BE MUELLER A-12889-00 OR EQUAL AS APPROVED BY THE ENGINEER.

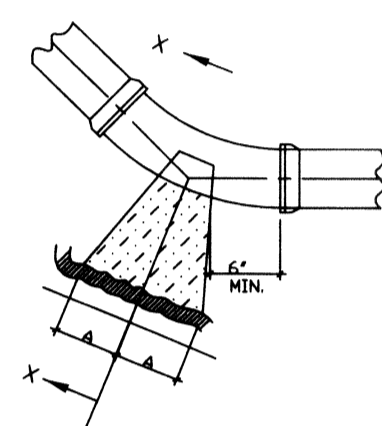


THRUST BLOCKING DETAIL

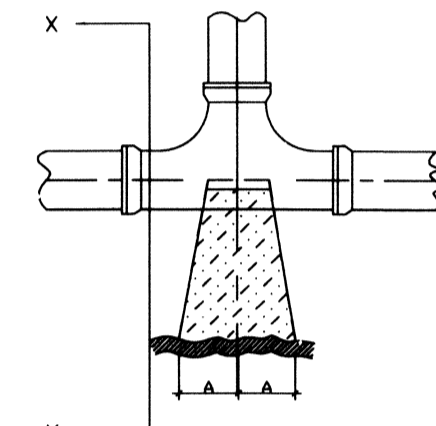
NOTE: Install thrust blocks @ all bends 22 1/2" and larger.



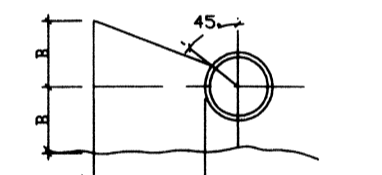
SECTION THRU FLANGE



BENDS

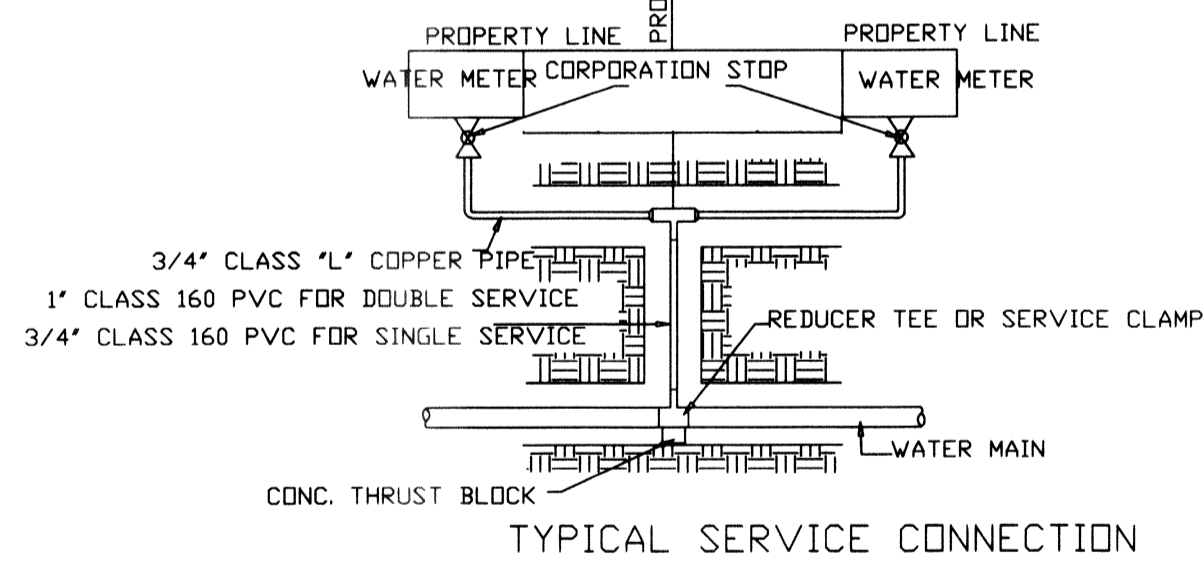


TEES

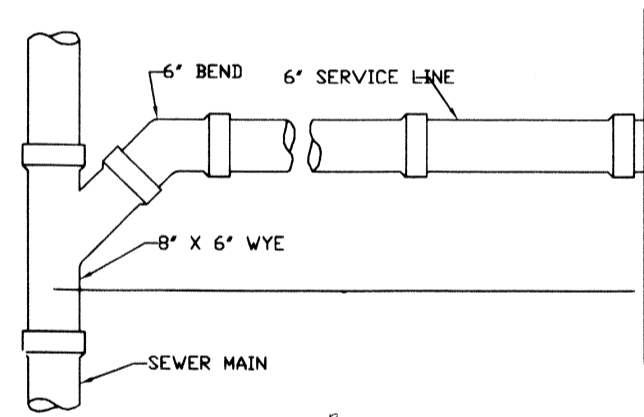


PLUGS

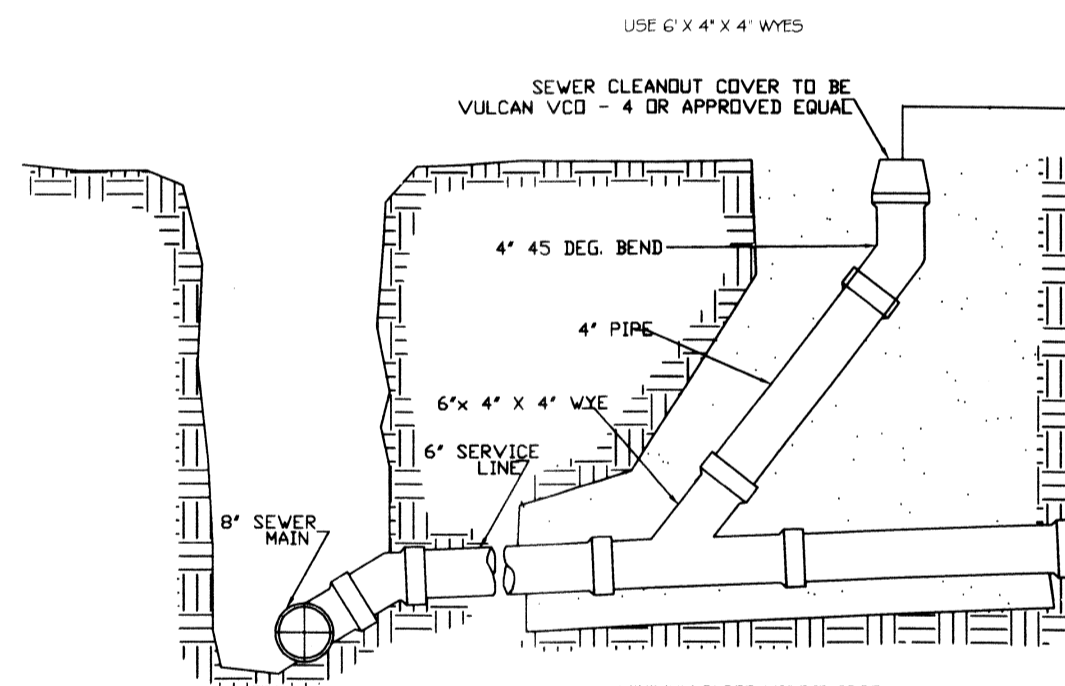
SECTION X - X



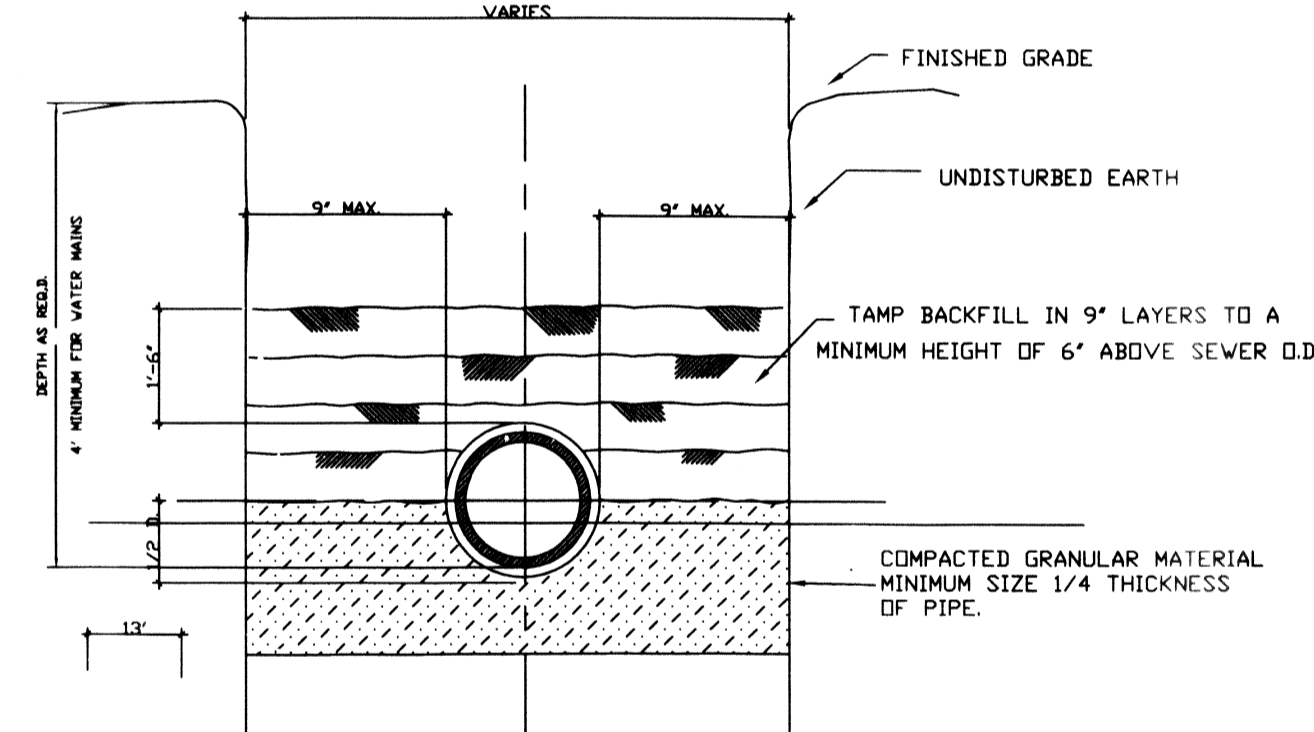
TYPICAL SERVICE CONNECTION



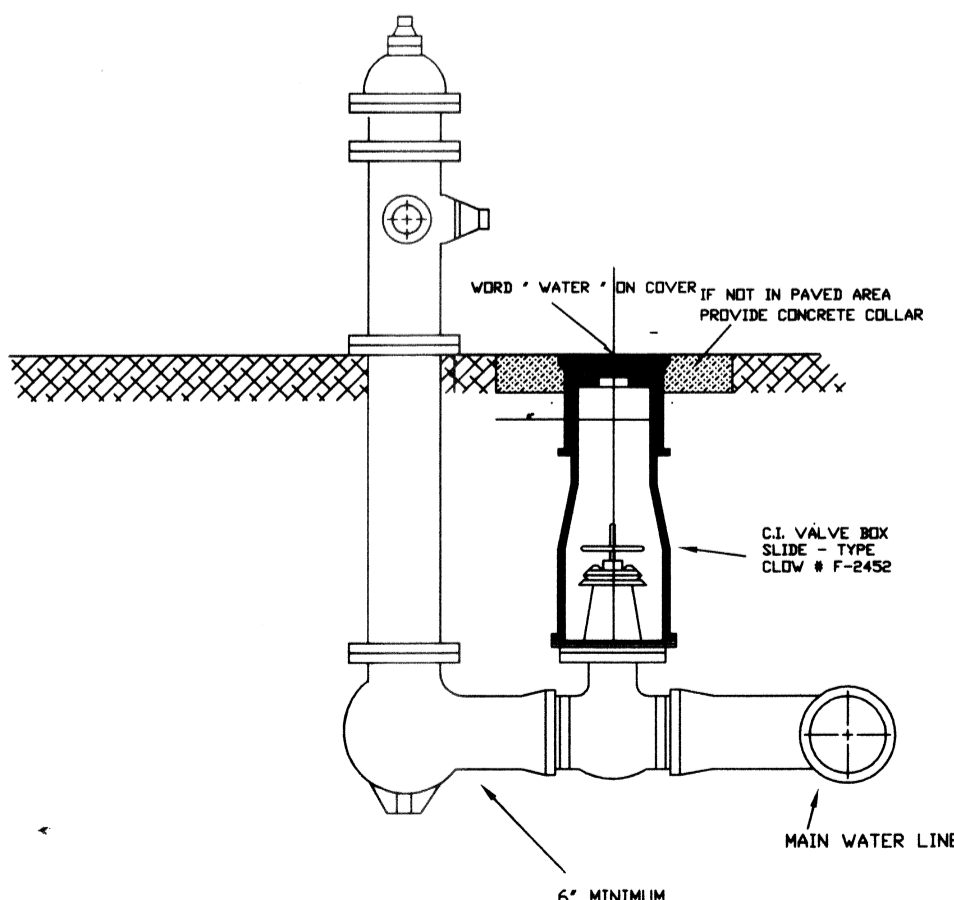
SERVICE CONNECTION



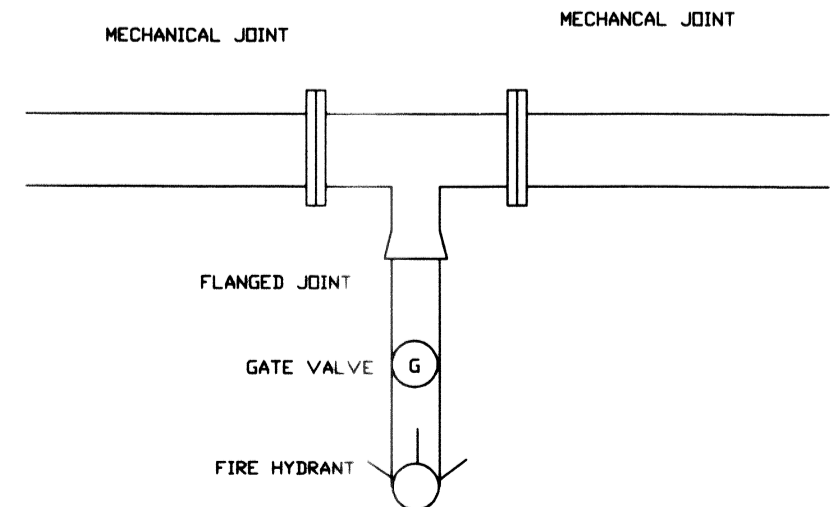
CLEANOUT DETAIL



TYPICAL SEWER AND WATER EMBEDMENT



TYPICAL FIRE HYDRANT AND VALVE



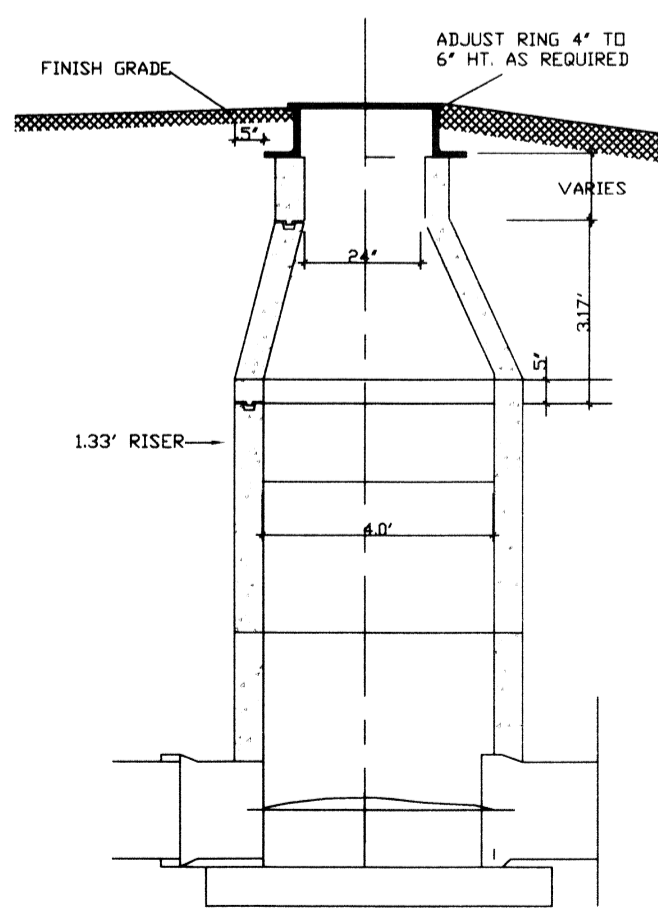
MECHANICAL JOINT

MECHANICAL JOINT

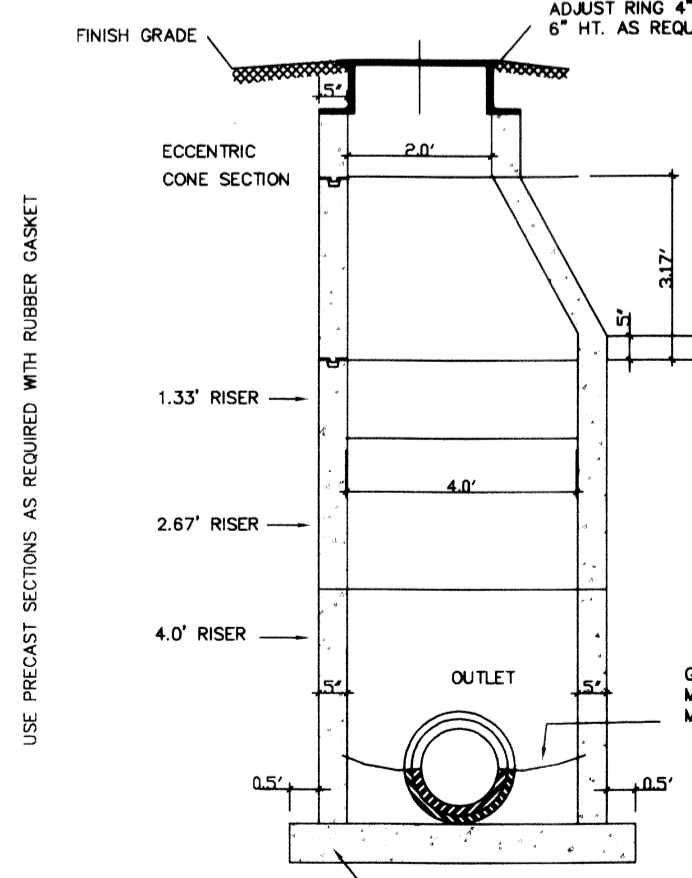
FLANGED JOINT

GATE VALVE

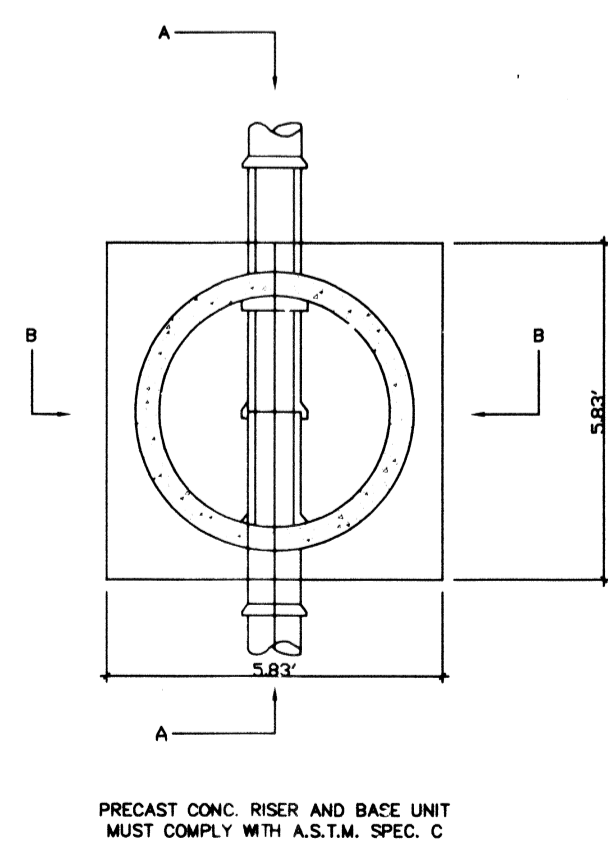
FIRE HYDRANT



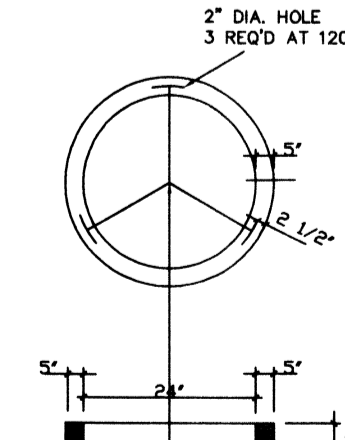
SECTION A - A



SECTION B - B



PARTIAL PLAN



ADJUSTING RING

PRECAST SEWER MANHOLE

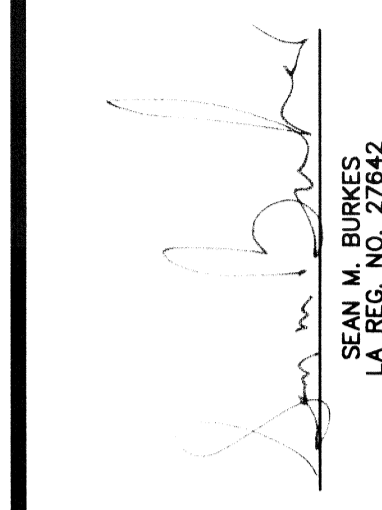
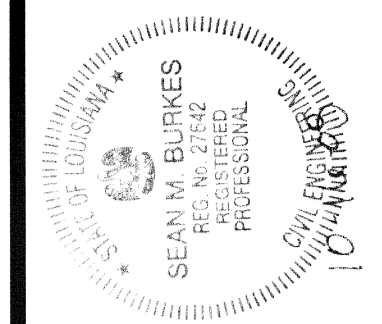
SEWER & WATER DETAILS

NOTES:

1. ALL WATER LINES SHALL BE P.V.C. SDR-26.
2. COORDINATE WATER SERVICE LINES WITH PLUMBING PLANS.
3. PROVIDE THRUST BLOCKING FOR ALL FITTINGS AND FIRE HYDRANTS WITH A DEFLECTION OF 11.25" OR MORE.
4. WATER LINES SHALL BE DISINFECTED IN ACCORDANCE WITH STATE SANITARY CODE 12:020-2 OR AWWA -C651-92.
5. ALL PERMITS TO BE OBTAINED BY CONTRACTOR AT THEIR EXPENSE.
6. ALL VALVES ARE 8" EXCEPT AS NOTED.
7. BARREL OF FIRE HYDRANT SHALL BE PAINTED CHROME YELLOW AND THE TOP AND NOZZLE CAPS SHALL BE PAINTED RED.
8. A BLUE RAISED REFLECTOR SHALL BE AFFIXED ON THE ROADWAY IN PROXIMITY TO THE FIRE HYDRANT.
9. WATER IS SUPPLIED BY THE CITY OF SLIDELL; MAINTAINED PRIVATELY.
10. SEWER AND WATER LINES ARE A MINIMUM OF 6" APART.
11. CROSSING OF SEWER AND WATER LINES SHALL HAVE A MINIMUM VERTICAL SEPERATION OF 18".
12. THE INSTALLATION OF THE WATER MAIN INCORPORATES PROVISIONS OF THE AWWA STANDARDS.
13. AND/OR RECOMMENDED MANUFACTURERS RECOMMENDED INSTALLATION PROCEDURES INVOLVING BUT NOT LIMITED TO BEDDING, COVER, BLOCKING, PRESSURE AND LEAKAGE TESTING, AND DISINFECTION.
14. FIRE HYDRANTS SHALL HAVE AT LEAST THREE OUTLETS PER HYDRANTS; ONE SHALL BE A STEAMER CONNECTION TO ALLOW FIRE APPARATUS TO PROVIDE WATER FROM THE HYDRANT TO THE APPARATUS AND THERE SHALL BE AT LEAST TWO 2.5-INCH OUTLETS WITH NATIONAL STANDARD THREADS.

NOTES:

1. SANITARY SEWER SYSTEM PIPE TO BE PVC A.S.T.M. 3034 SDR-35.
2. SEWER MAIN TO BE INSTALLED 4'(FEET) FROM PROPERTY LINE UNLESS SHOWN OTHERWISE.
3. INFILTRATION SHALL NOT EXCEED 125 GALLON/INCH OF DIAMETER/MILE OF PIPE/24 HOURS.
4. A CERTIFICATE OF INFILTRATION REQUIREMENTS SHALL BE FURNISHED BY TESTING LABORATORY.
5. SEWER LINES SHALL BE 8" WITH A MINIMUM OF 0.34% SLOPE.
6. ALL PERMITS TO BE OBTAINED BY CONTRACTOR AT THEIR EXPENSE.
7. SEWER LATERALS SHALL BE 6" PVC WITH TWO 4" WYES.
8. Ⓞ = MANHOLES.
9. SEWER FURNISHED BY THE CITY OF SLIDELL; MAINTAINED PRIVATELY.
10. SEWER FORCE MAIN TO BE PVC SDR-21.



**J.V. Burkes & Associates, Inc.**  
 SURVEYING ENGINEERING • ENVIRONMENTAL  
 2990 East Cause Blvd., Suite B  
 Slidell, Louisiana 70461  
 E-mail: jvbosco@jvbosco.com  
 Phone: 985-649-0075 Fax: 985-649-0154  
 Mississippi Phone: 228-435-9800

**SEWER & WATER DETAILS OF LOTS 1, 2, & 3  
 PHILIPS BUSINESS PARK  
 SECTION 1, T9S-R14E  
 CITY OF SLIDELL  
 ST. TAMMANY PARISH, LA**  
 McMAHON CONSTRUCTION

SCALE: 1" = 30'  
 DATE: 10/8/2008  
 DRAWN BY: DLT  
 CHECKED BY: SMB  
 DWG. NO.: 20081364  
 SHEET 3 OF 3