

1 FLOOR PLAN W/PARTITION TAGS

SCALE: 1/4" = 1'-0"

THIS PLAN IS ONLY VALID ONE YEAR FROM DATE ON PLAN

ACADIAN STRUCTURAL SOLUTIONS, INC.
 57362 ALLEN RD, SLIDELL, LA. 70461
 PHONE (985) 641-5794 FAX (985) 641-1239
 PLANS@ACADIANS.SS.COM

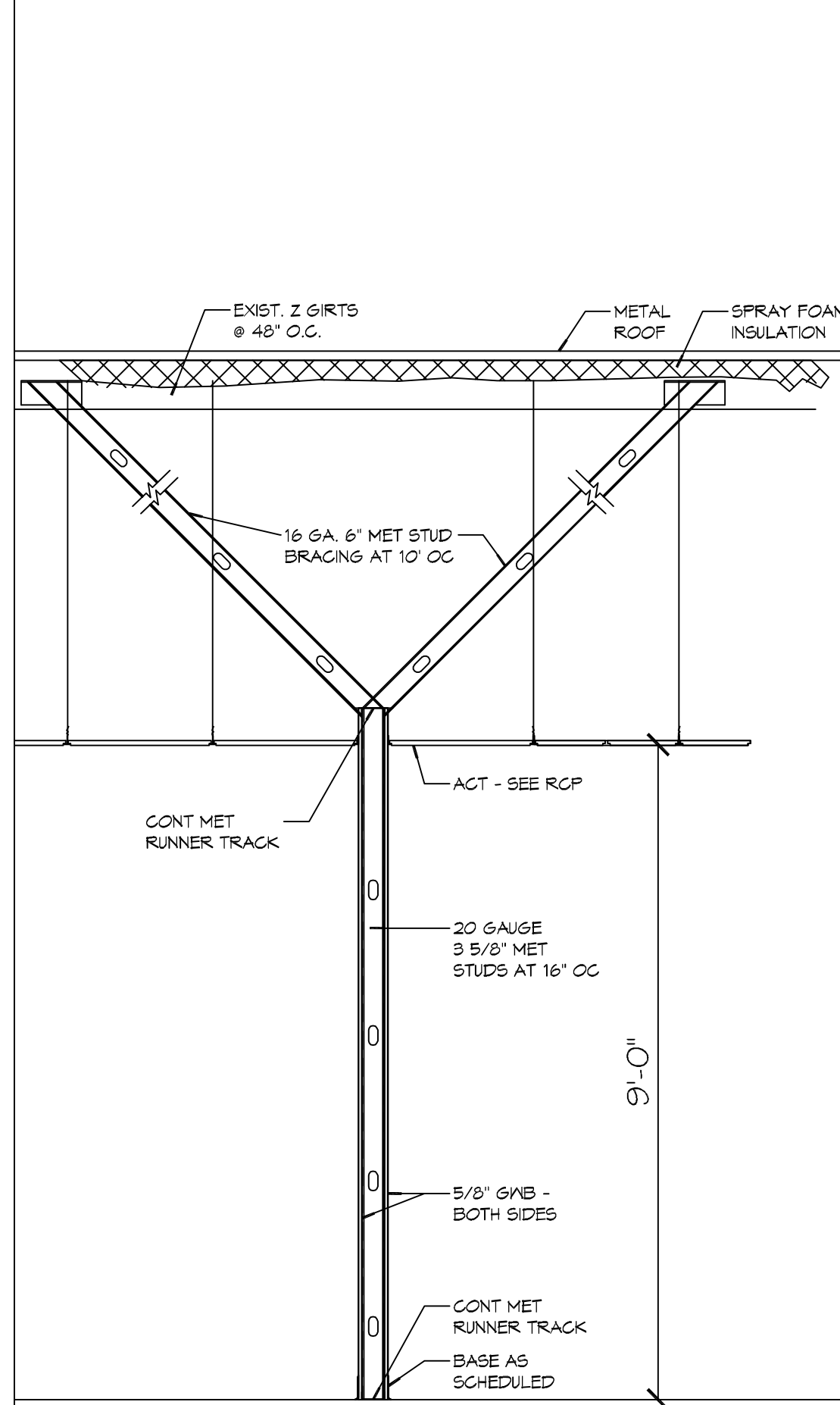
CERT. # 5160

DOTD YARD RENOVATION
 ABITA SPRINGS, LA
CONTRACTOR
 LOCATION

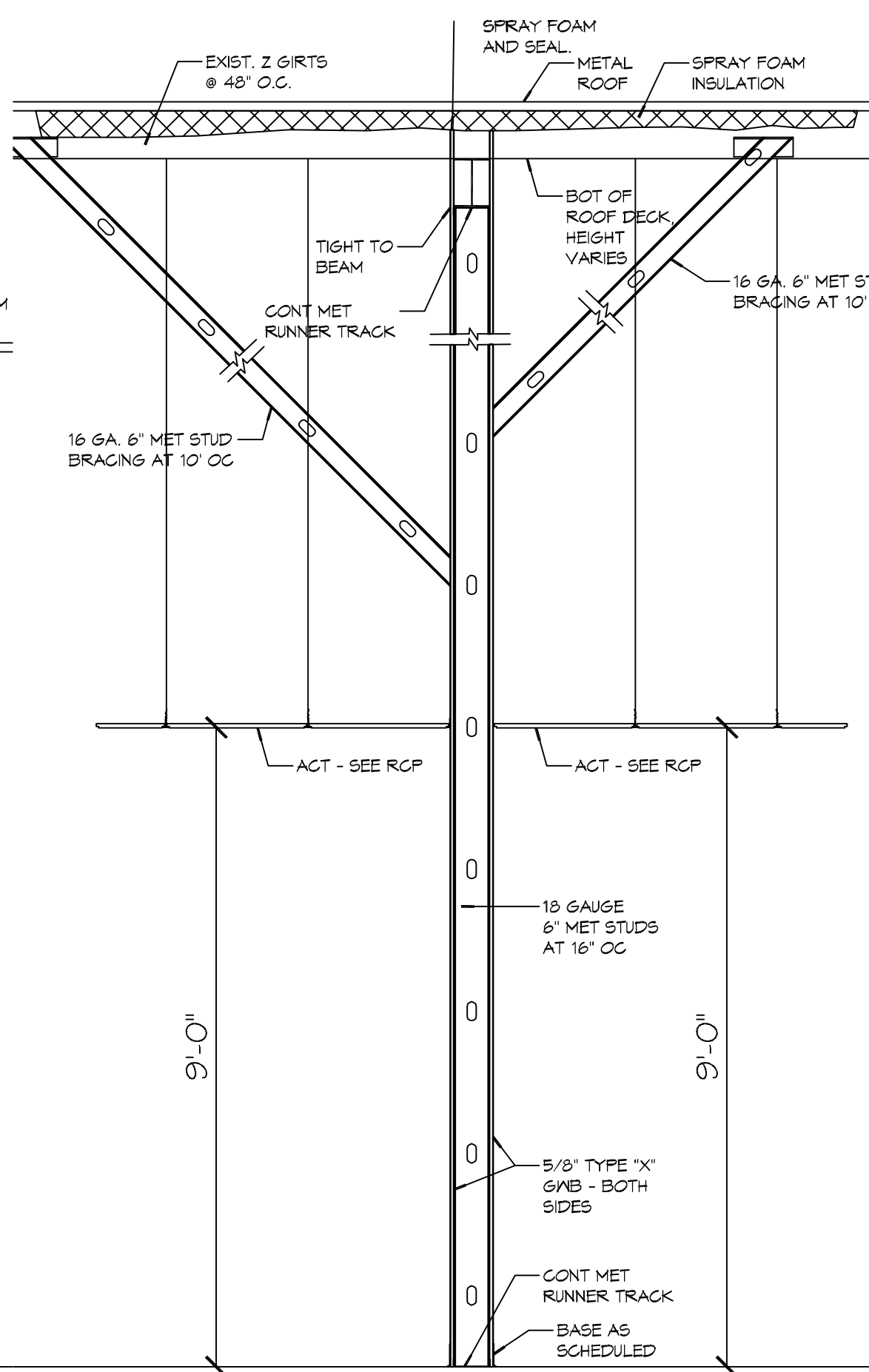
SCALE: AS NOTED
 DATE: 10-12-18
 DRAWN BY: -
 CHK'D BY: HN
 ASS PROJECT #: XXX-XX

DATE	REVISIONS

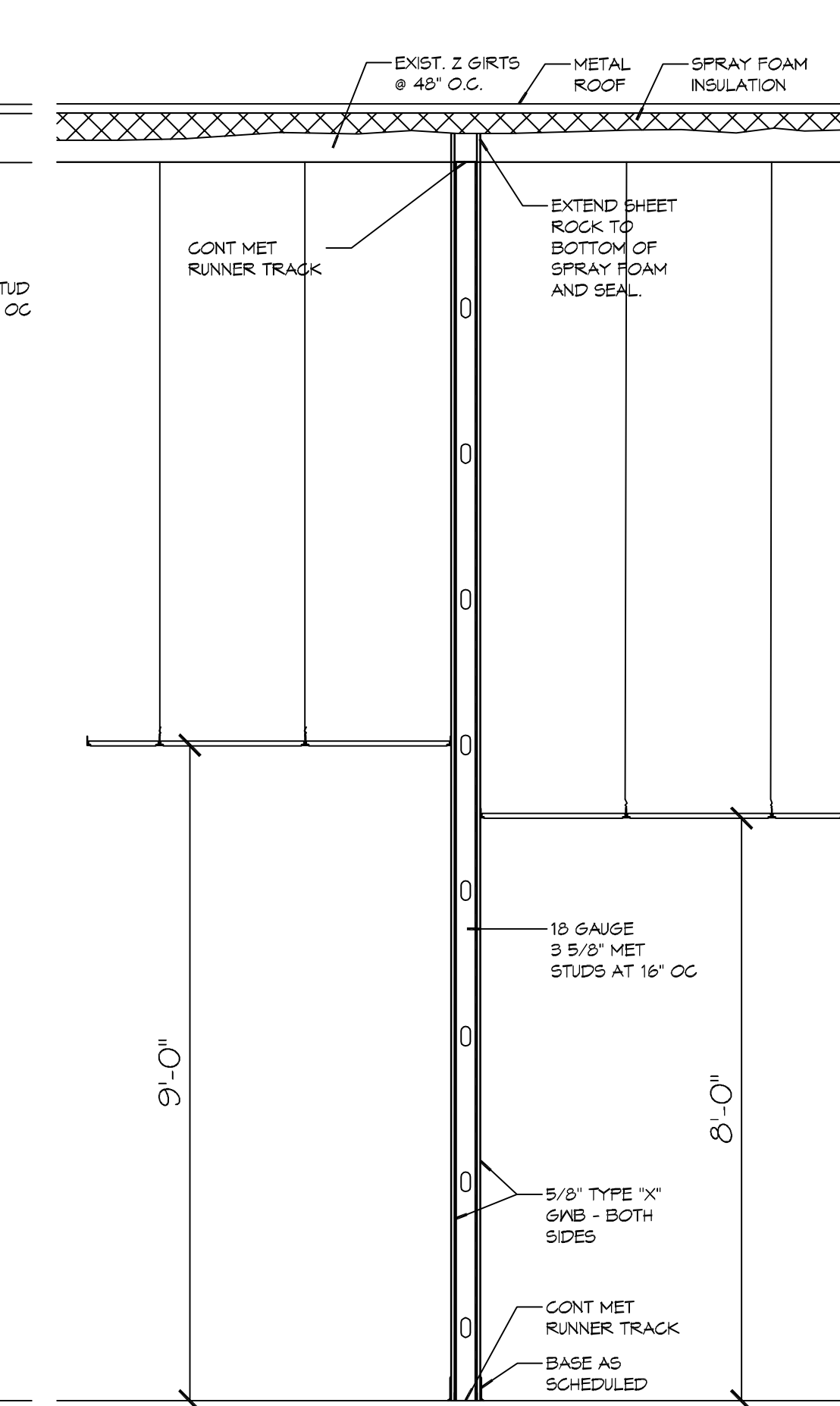
SHEET
1
 OF
2



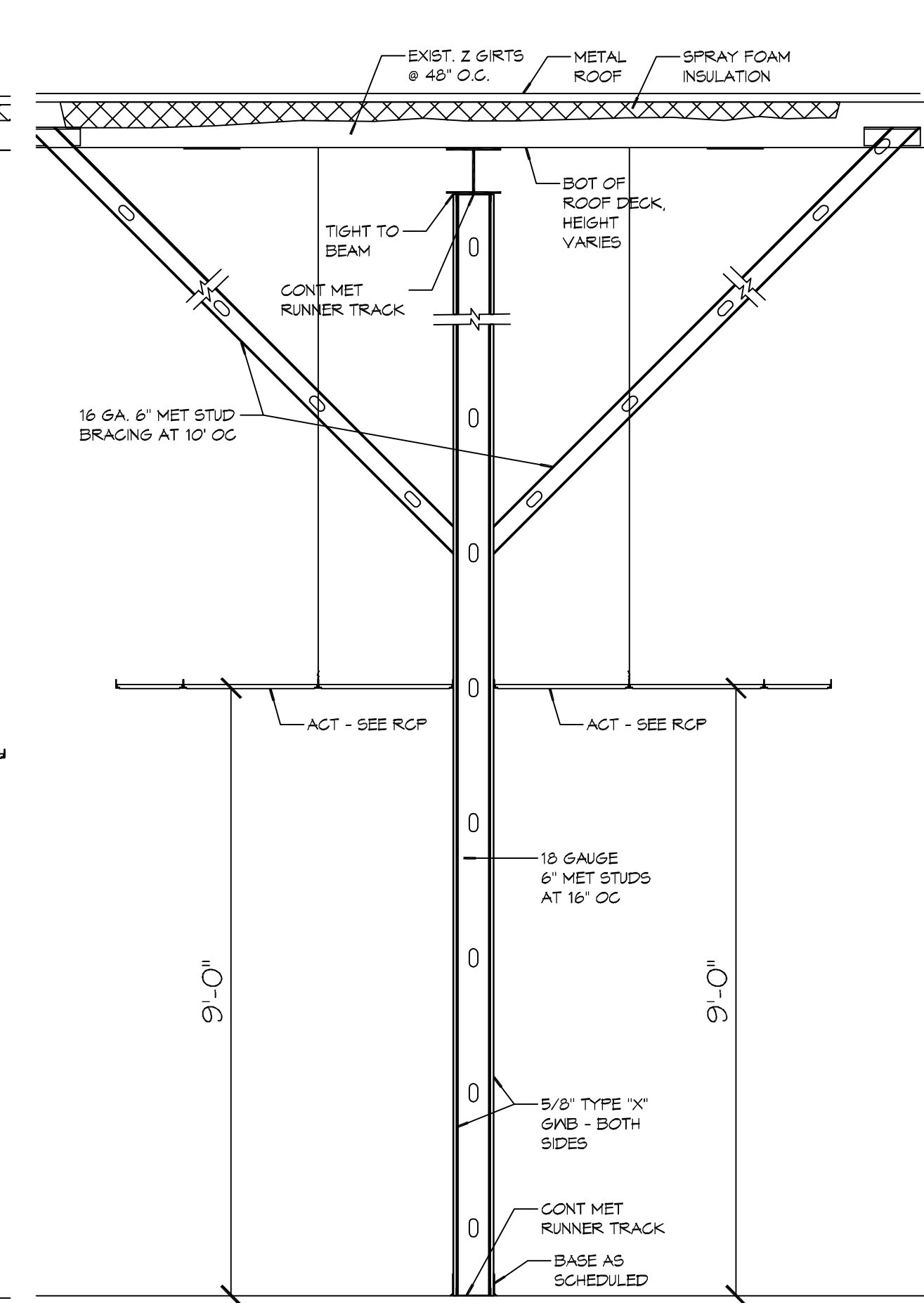
P1 PARTITION



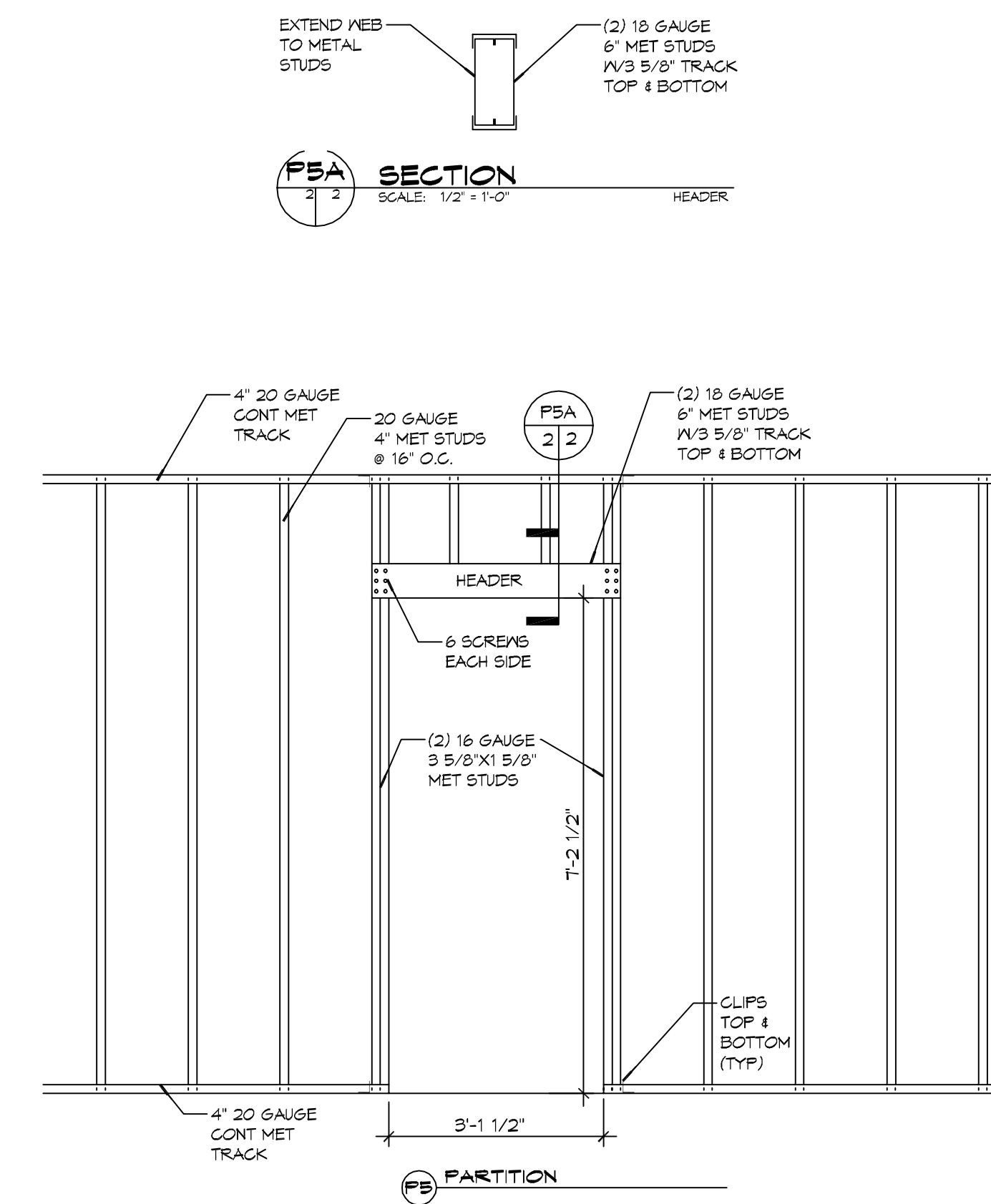
P2 PARTITION



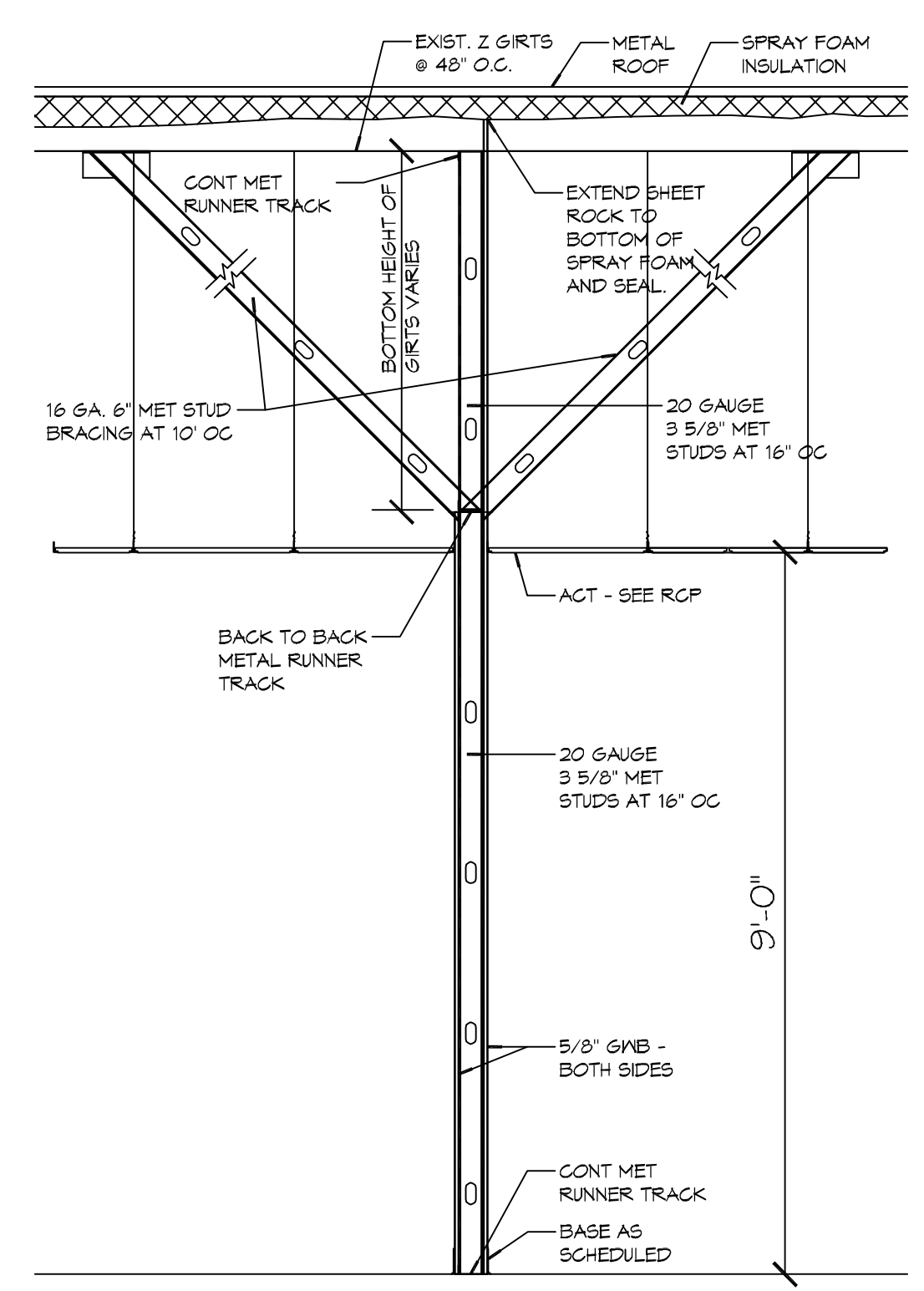
P3 PARTITION



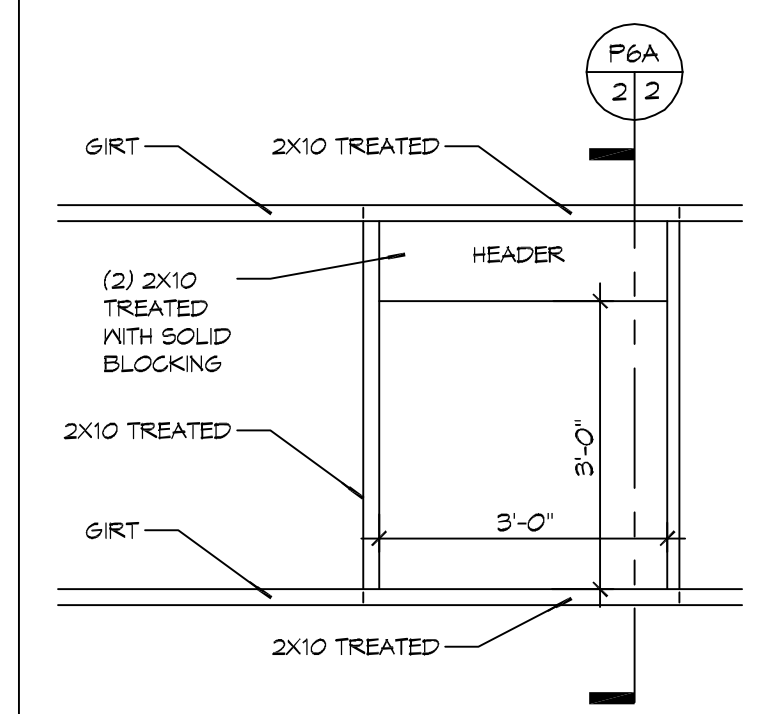
P4 PARTITION



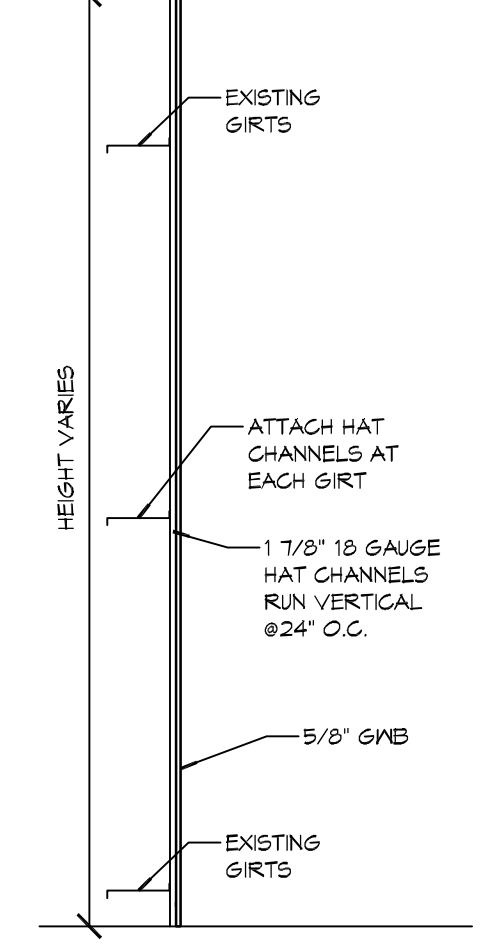
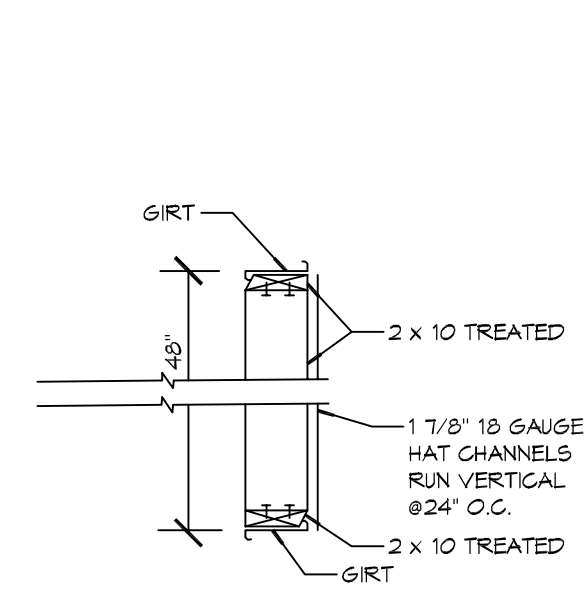
P5 PARTITION



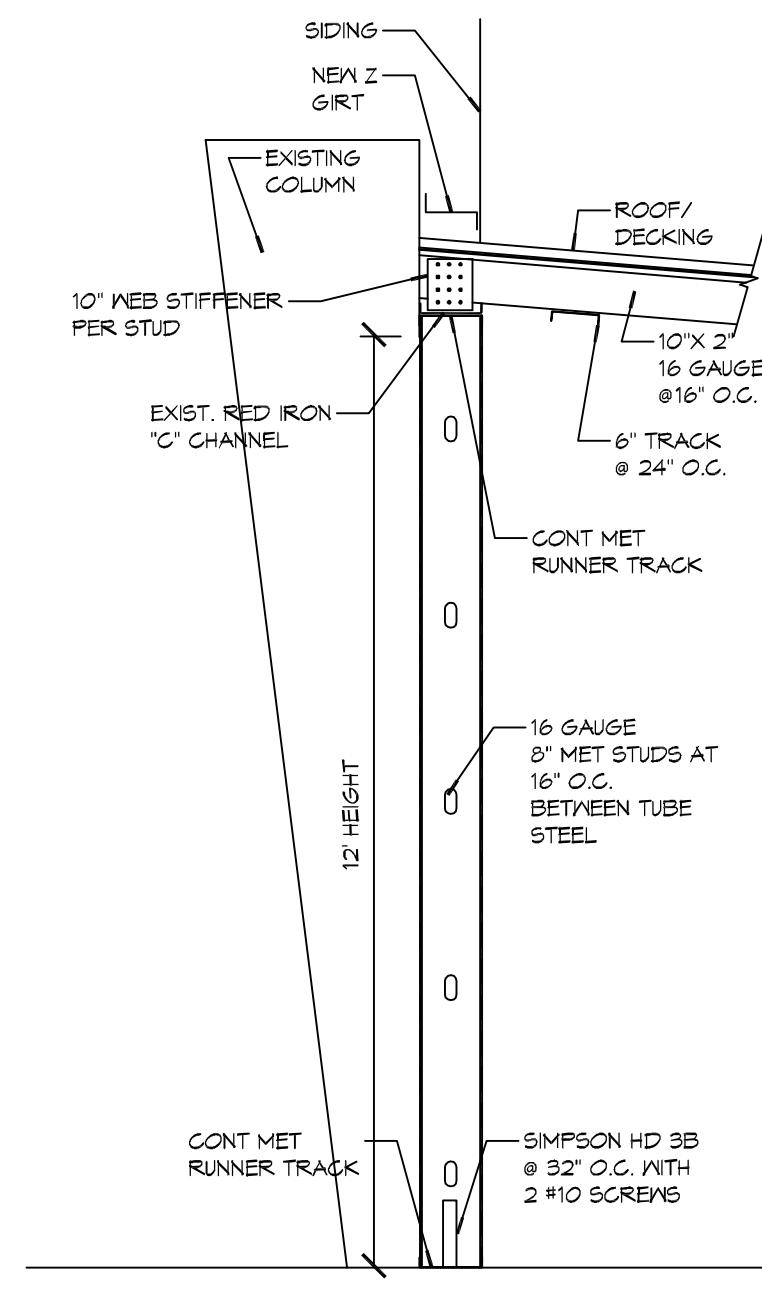
P6 PARTITION



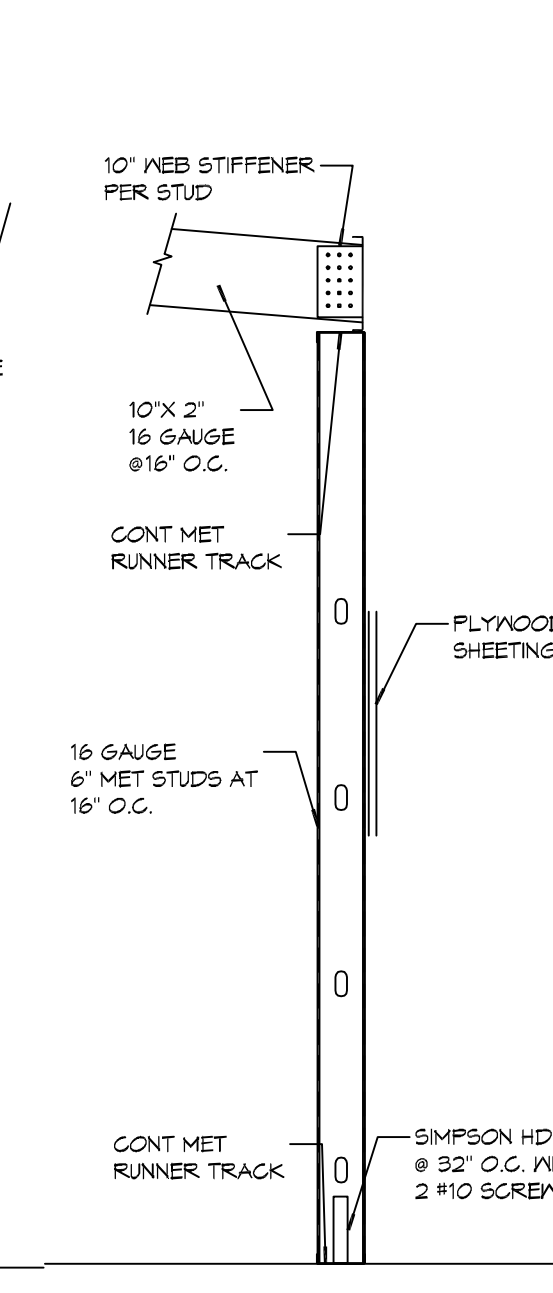
P6A SECTION
SCALE: 1/2" = 1'-0"



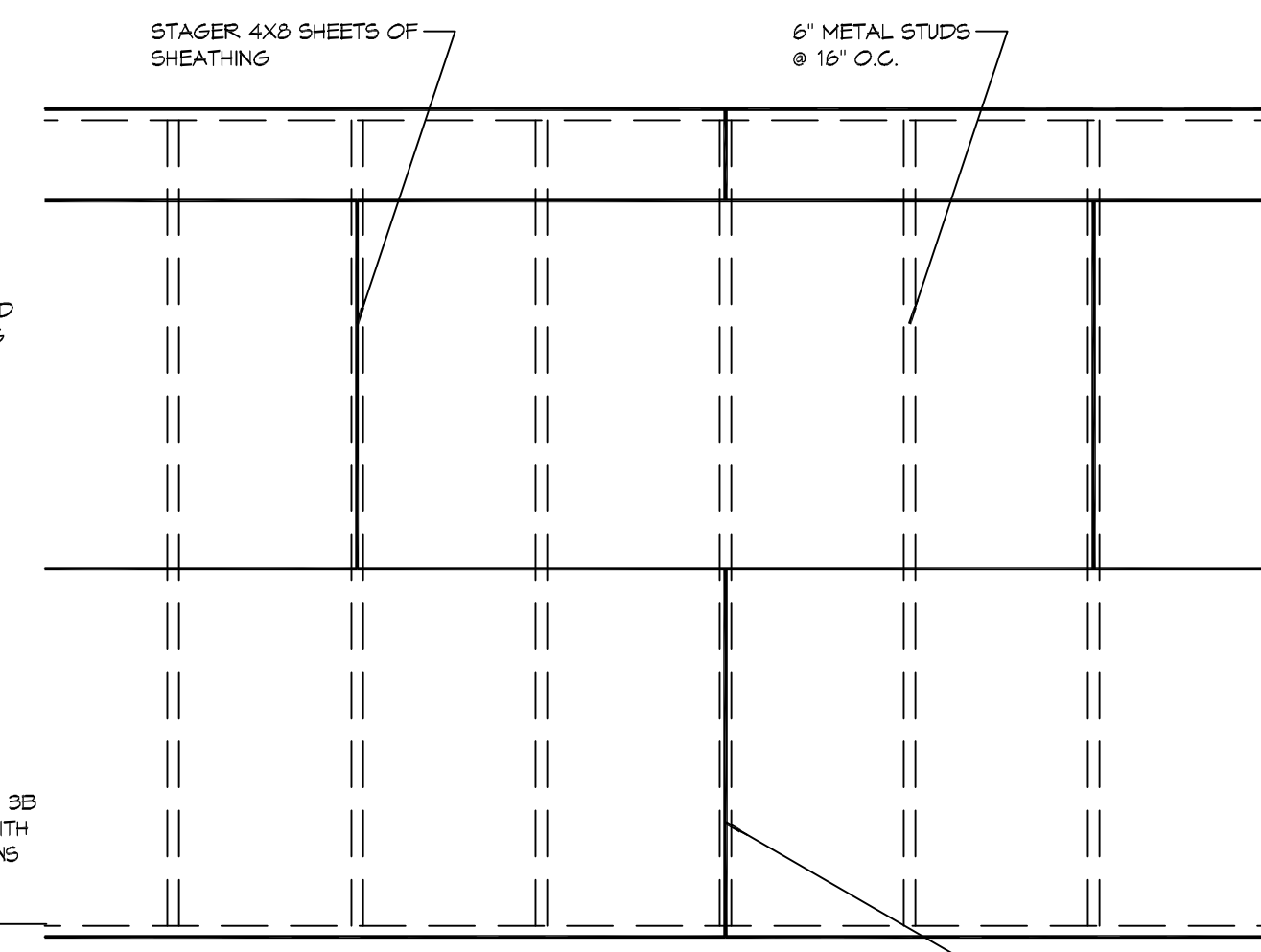
P7 PARTITION



P8 PARTITION



P9 PARTITION



P10 PARTITION

P6 PARTITION
SCALE: 1/2" = 1'-0"

PARTITION TYPES

THIS PLAN IS ONLY VALID ONE YEAR FROM DATE ON PLAN

ACADIAN STRUCTURAL SOLUTIONS, INC.
 57362 ALLEN RD, SLIDELL, LA. 70461
 PHONE (985) 641-5794 FAX (985) 641-1239
 PLANS@ACADIANS.SS.COM

DOTD YARD RENOVATION
 ABITA SPRINGS, LA
CONTRACTOR LOCATION

SCALE: AS NOTED	DATE: 10-12-18
DRAWN BY: -	CHK'D BY: HN
ASS PROJECT #: XXX-XX	

DATE	REVISIONS

--

CERT. # 5160