

1 FLOOR PLAN W/PARTITION TAGS
SCALE: 1/4" = 1'-0"

THIS PLAN IS ONLY VALID ONE YEAR FROM DATE ON PLAN

ACADIAN STRUCTURAL SOLUTIONS, INC.
 57362 ALLEN RD, SLIDELL, LA. 70461
 PHONE (985) 641-5794 FAX (985) 641-1239
 PLANS@ACADIANS.SS.COM

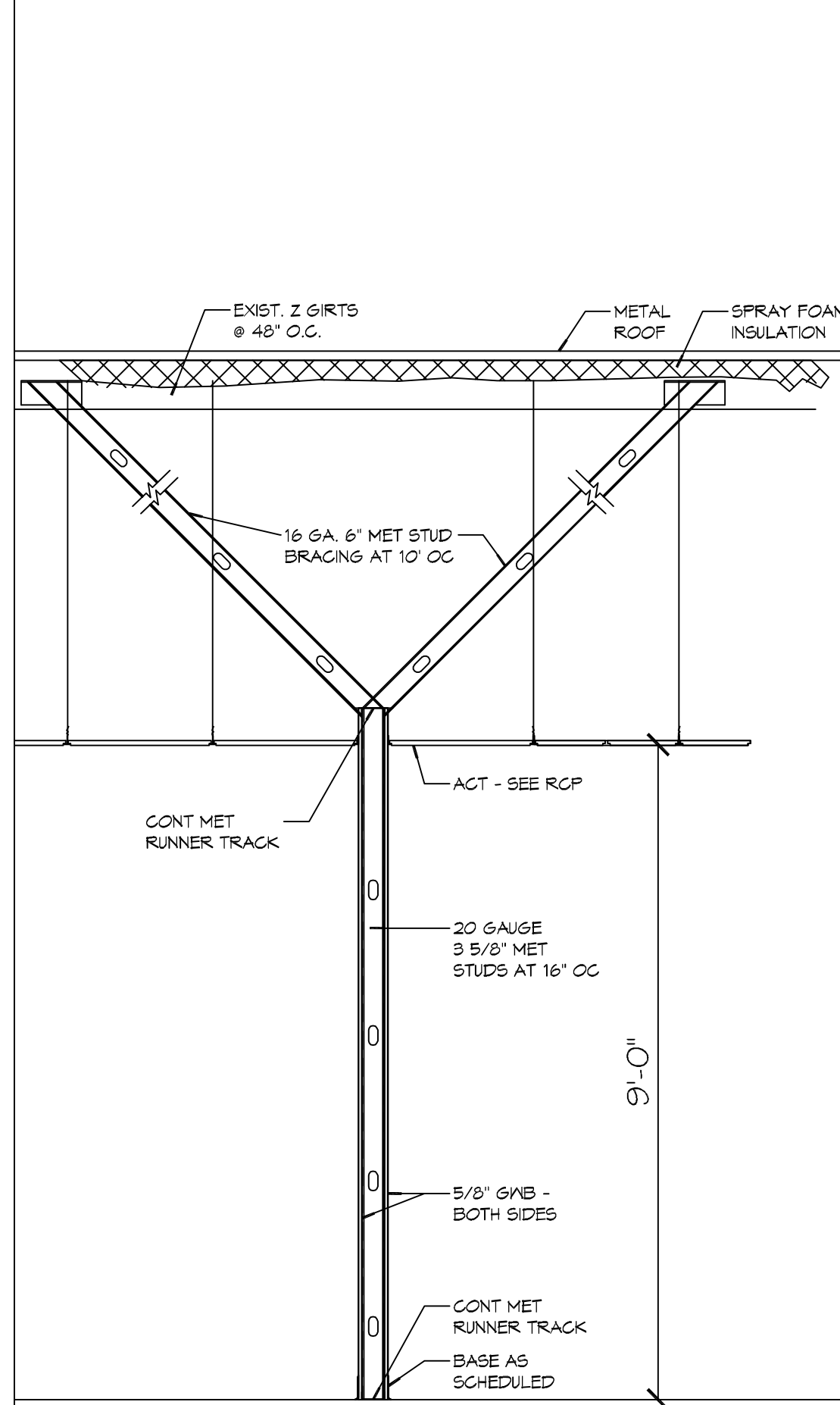
CERT. # 5160

DOTD YARD RENOVATION
 ABITA SPRINGS LA
CONTRACTOR
 LOCATION

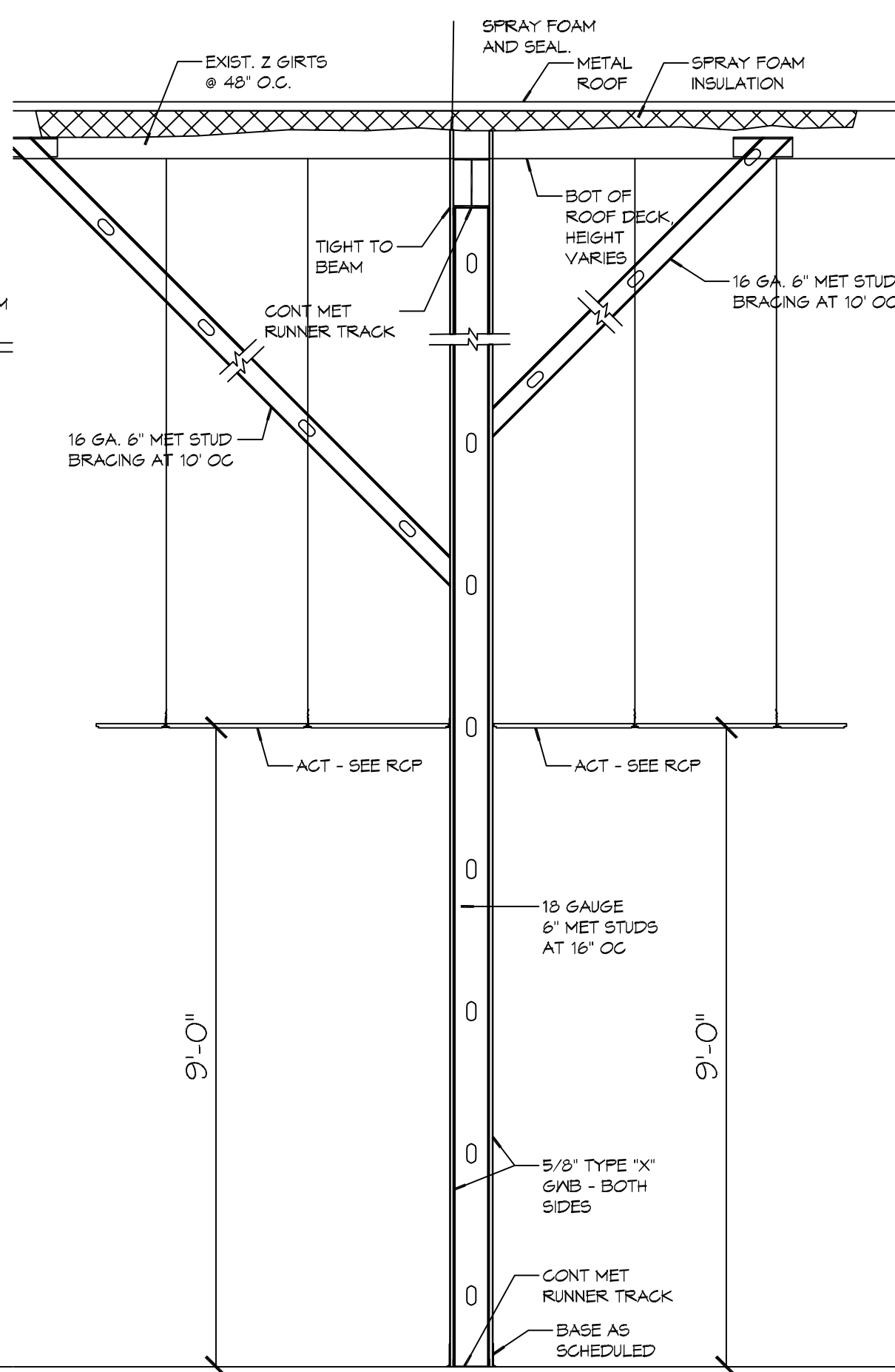
SCALE: AS NOTED
 DATE: 10-03-18
 DRAWN BY: -
 CHK'D BY: HN
 ASS PROJECT #: XXX-XX

DATE	REVISIONS

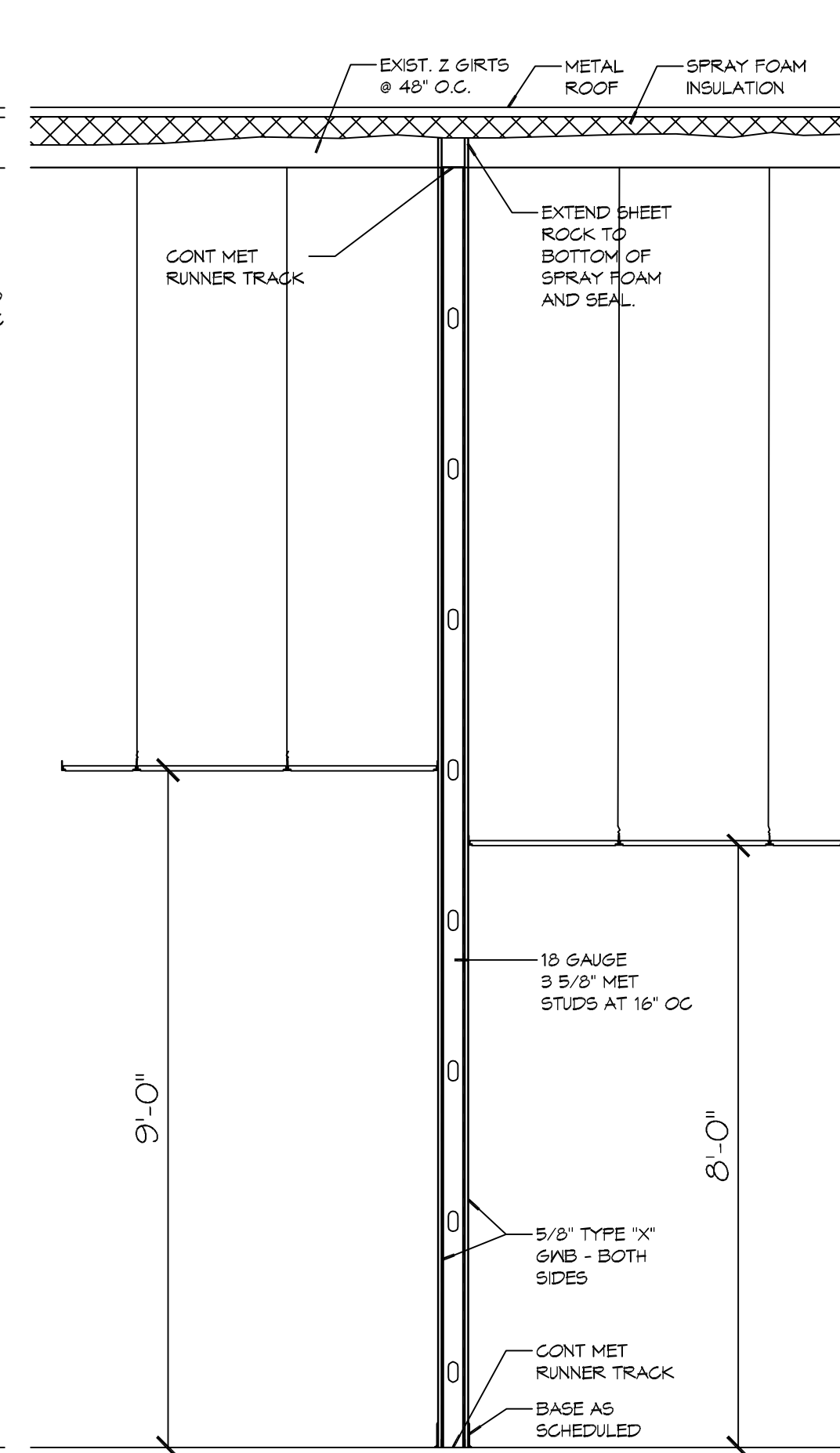
SHEET
1
 OF
2



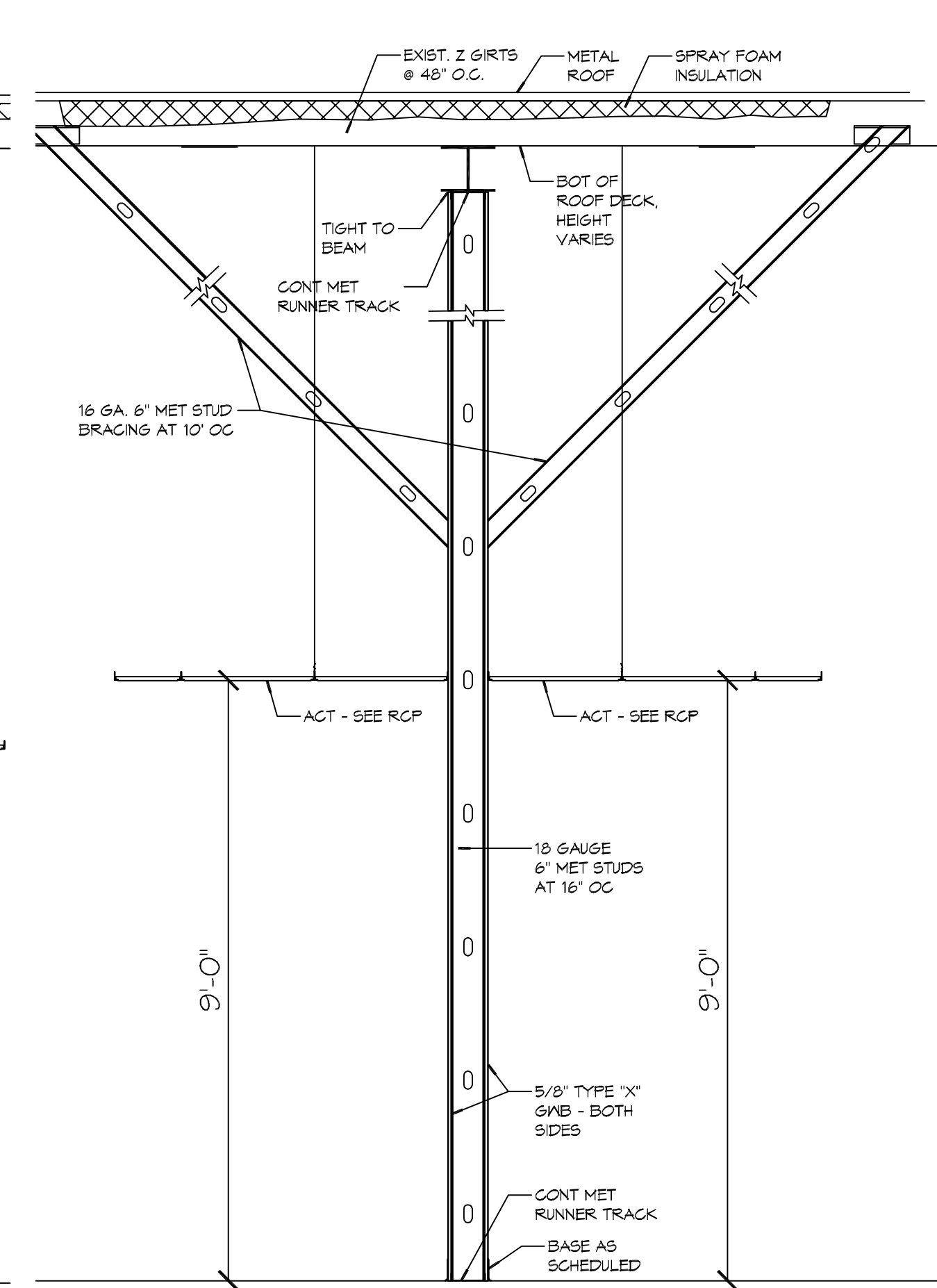
F1 PARTITION



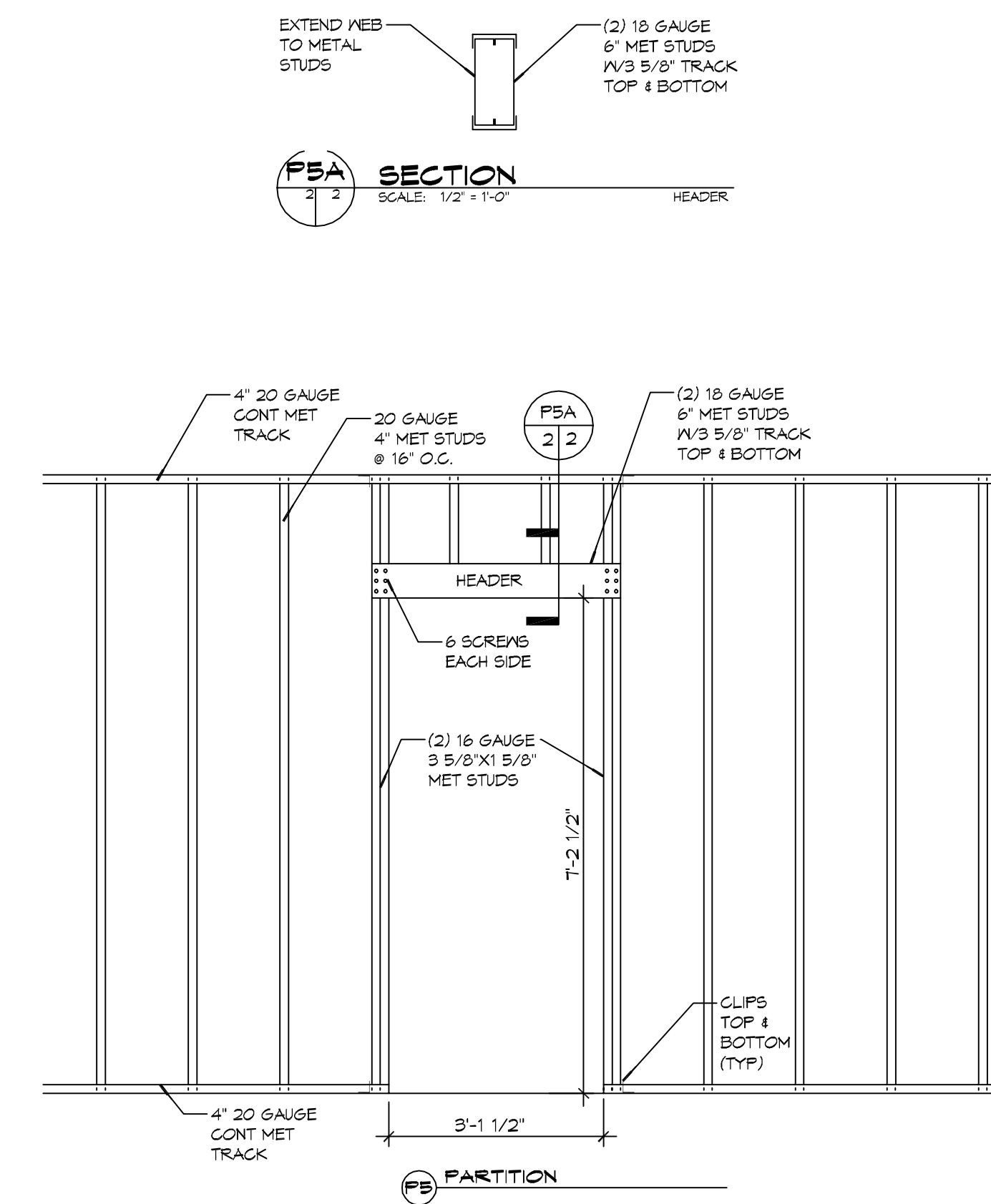
F2 PARTITION



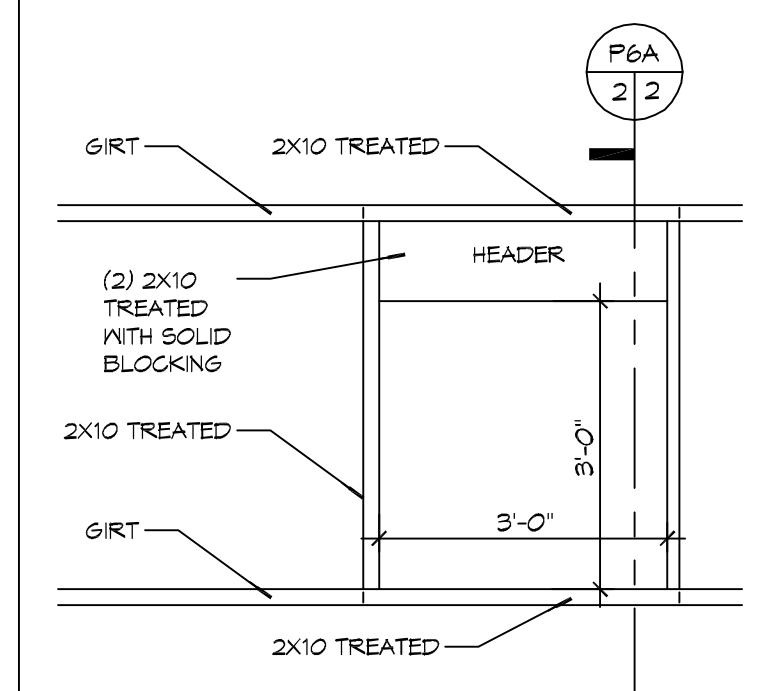
F3 PARTITION



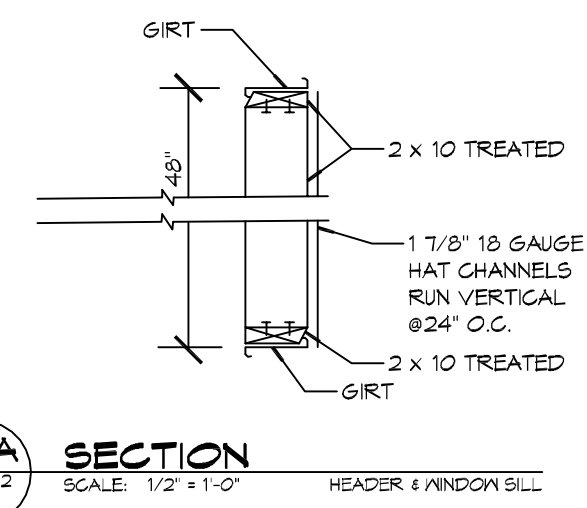
F4 PARTITION



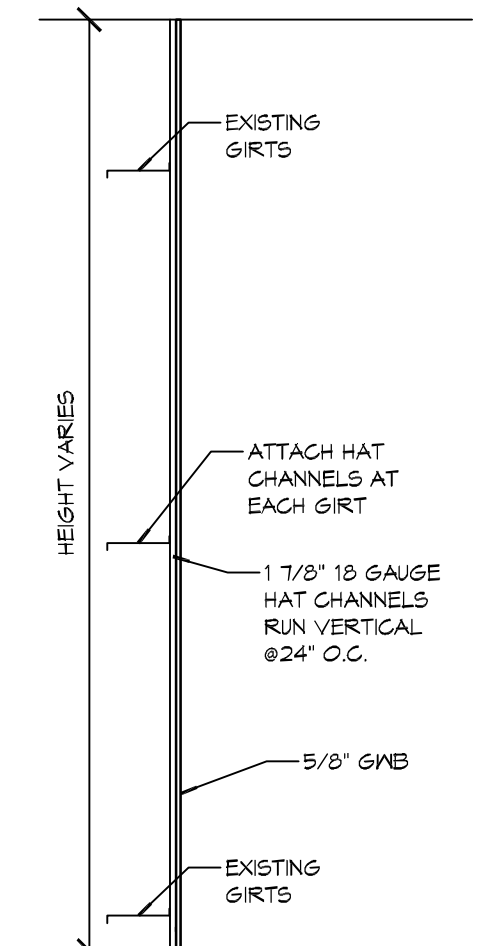
F5 PARTITION



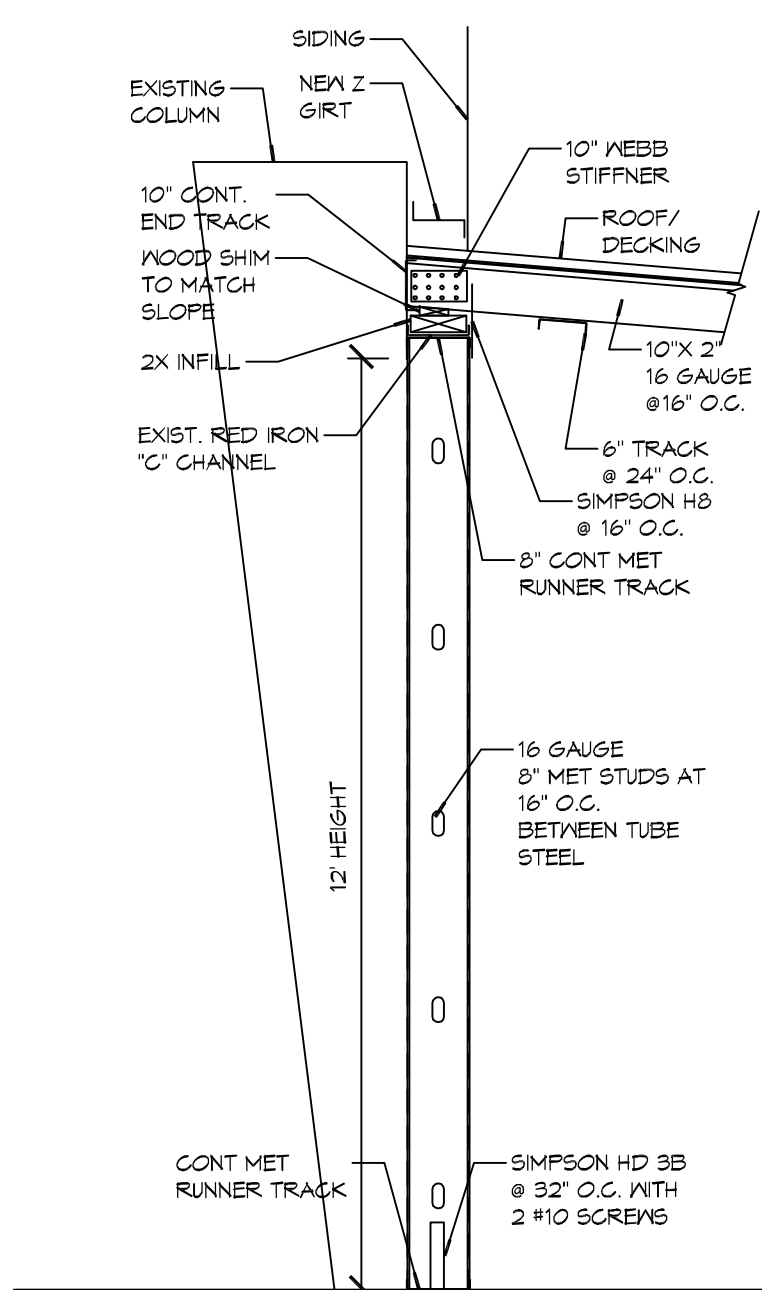
F6A SECTION
SCALE: 1/2" = 1'-0"



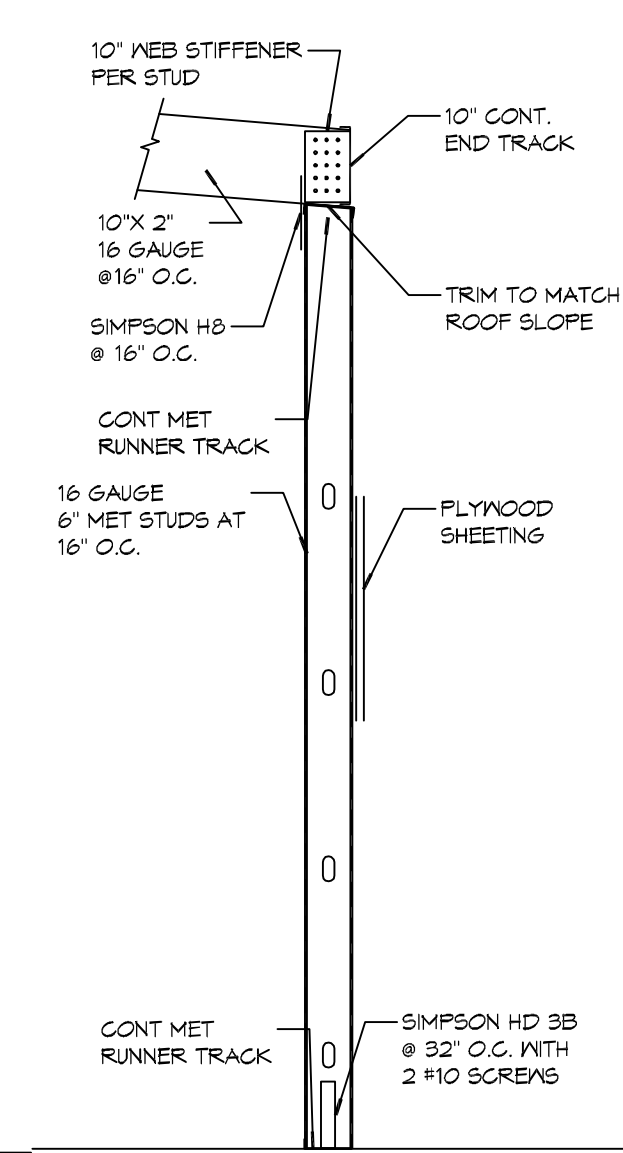
F6B SECTION
SCALE: 1/2" = 1'-0"



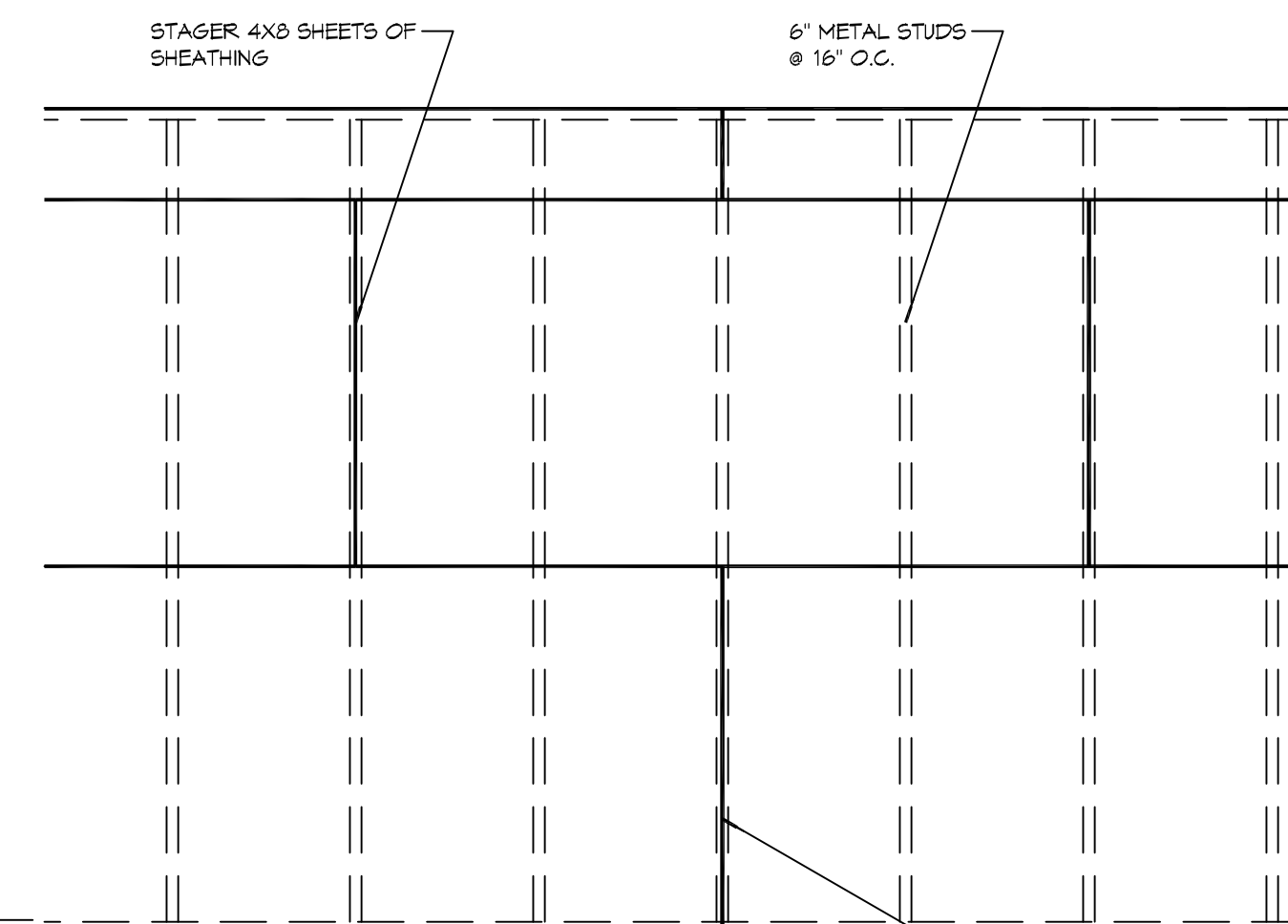
F9 PARTITION



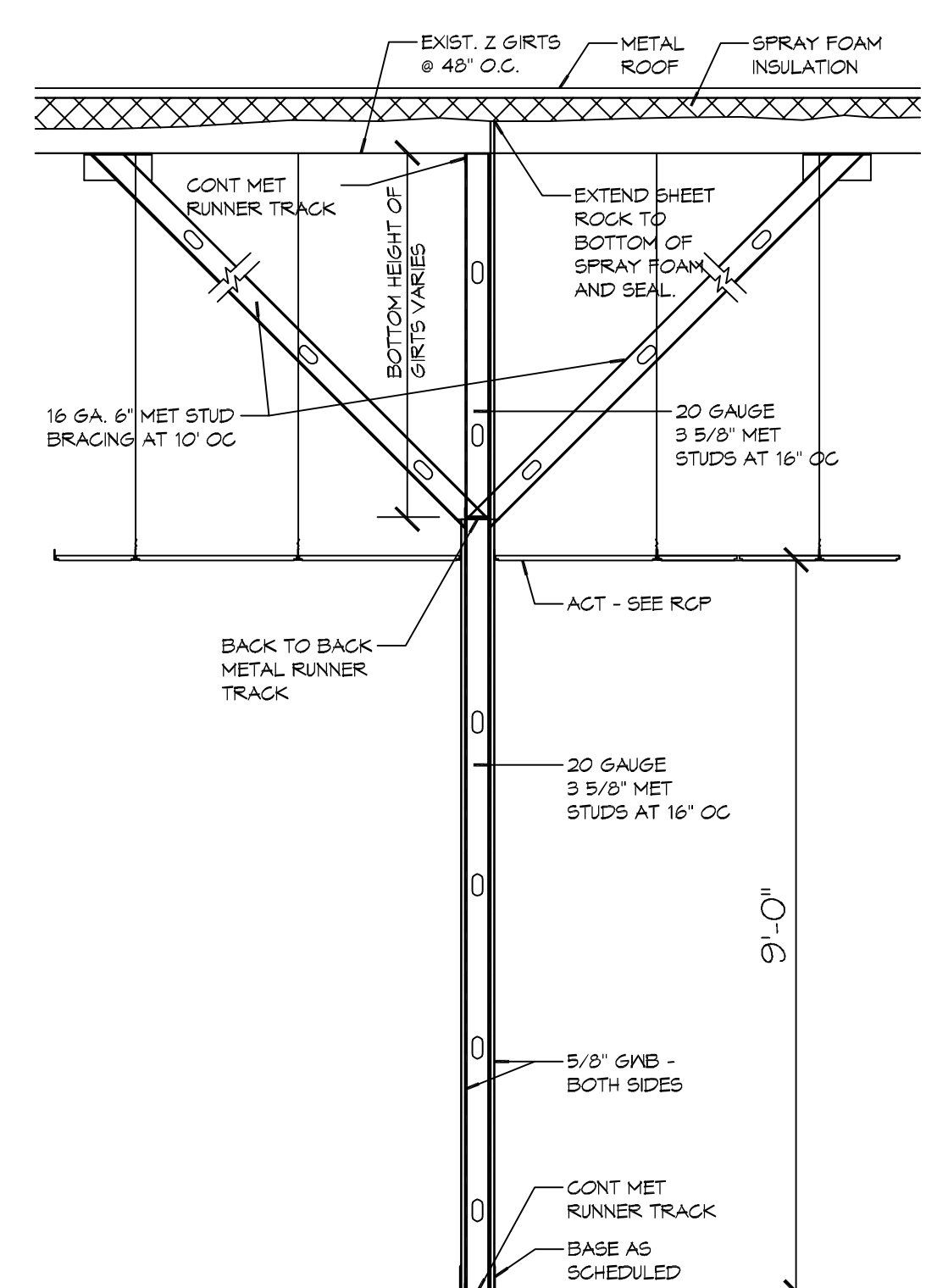
F10 PARTITION



F11 PARTITION



F12 PARTITION



F13 PARTITION

PARTITION TYPES
SCALE: 1/2" = 1'-0"

THIS PLAN IS ONLY VALID ONE YEAR FROM DATE ON PLAN

ACADIAN STRUCTURAL SOLUTIONS, INC.
57362 ALLEN RD, SLIDELL, LA. 70461
PHONE (985) 641-5794 FAX (985) 641-1239
PLANS@ACADIANS.SS.COM

DOTD YARD RENOVATION
ABITA SPRINGS, LA
CONTRACTOR LOCATION

SCALE: AS NOTED
DATE: 10-12-18
DRAWN BY: -
CHK'D BY: HN
ASS PROJECT #: XXX-XX

DATE	REVISIONS

SHEET
2
OF
2

CERT. # 5160