

DAMMON
ENGINEERING, INC.

CHIEF ENGINEER
EMMETT
DAMMON, P.E.
CHIEF ARCHITECT
ROBERT
WILTSE

554 OLD SPANISH TRAIL
SUDELL, LA. 70458
OFFICE 985-649-5832
FAX 985-641-5950

WEBSITE
WWW.DAMMONENGINEERING.COM
EMAIL:
DAMMONENG@BELL.SOUTH.NET

ARCHITECTURE
ENGINEERING
STUDIES
PLANNING
INVESTIGATION
EXPERT WITNESS

RCI
WOODLANDS
APARTMENTS
CHALMETTE, LA

PIILING
LOCATION
PLAN

REV:

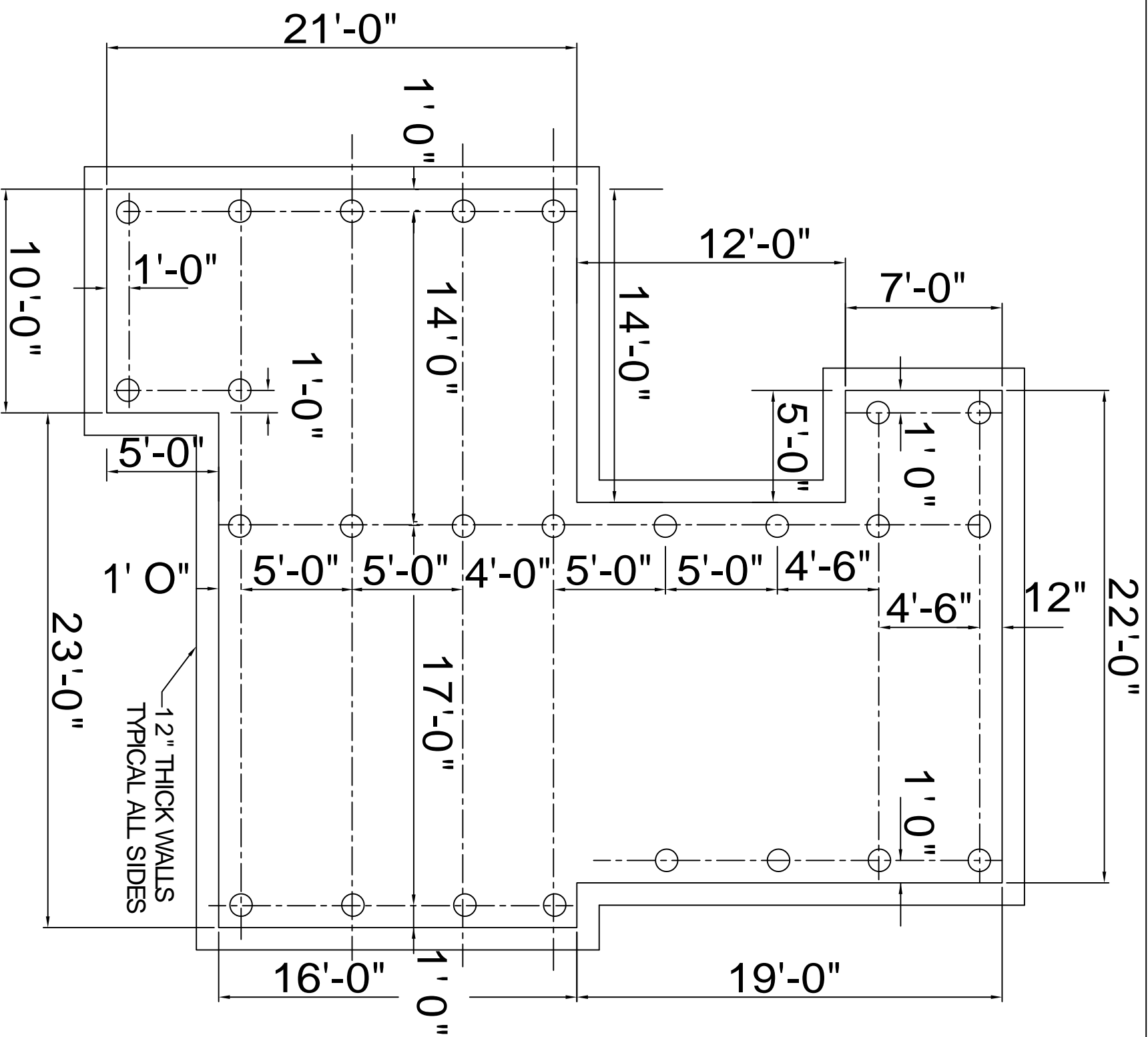
SCALE: AS NOTED

JOB#:

DATE 02/21/11

SHEET

A-1



PIILING LOCATION PLAN

SCALE: 3/8" = 1'

NOTES
PILES SHALL BE 12 in DIAMETER, CAST IN PLACE CONCRETE, 70ft LONG,
WITH BASE 70 FT BELOW NATURAL GROUND ELEVATION

OF