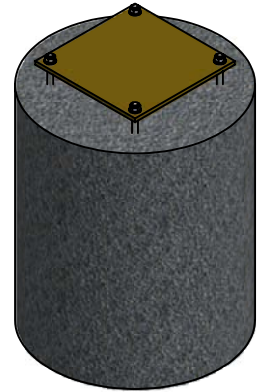


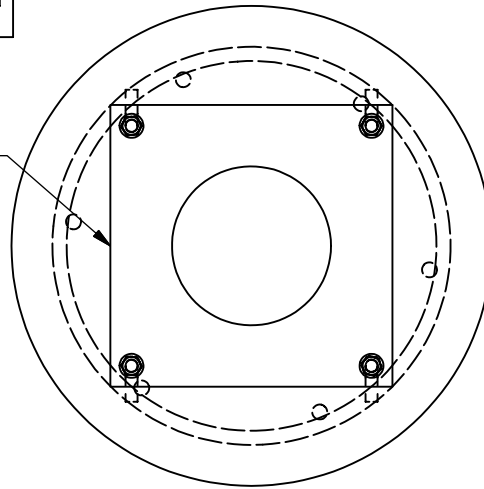
FOOTING DETAIL 'B'

CONCRETE VOLUME: 0.131 CU. YD/0.1 CU. M

FOOTING IS A RECOMMENDATION ONLY.
CHANGES MAY BE REQUIRED TO MEET WITH LOCAL
BUILDING CODES AND PROFESSIONAL PRACTICES.



REFER TO TEMPLATE FOR DETAILS
TPW-03003 (8" X 8")
TPW-03002 (12" X 12")



WATERPLAY COMPONENT

(4) ANCHOR BOLT
REFER TO COMPONENT SPECS

2"
[51 mm]

25 MPA (3600 P.S.I.)
CONCRETE

(6) 15M (5/8") X 19" (480mm) LONG
@ MAX 8" (203 mm) (O.C.
VERT SKIN REINF

(4) 10M (3/8") CIRCULAR
TIES @ MAX 6" (152mm) O.C.
W /MIN 1 1/2" (38mm) COVER

1 1/2"
[38 mm] MIN

6"
[152 mm] EMBEDMENT

2'-0"
[610 mm]

1 1/2"
[38 mm] MIN

Ø1'-8"
[508 mm]

GRANULAR BASE BETWEEN
FOOTING AND COMPACT SUBGRADE
MAY BE REQUIRED TO MEET LOCAL CODES