

894 ROBERT BOULEVARD
SLIDELL, LOUISIANA 70458
PH. 985-643-2427
FAX 985-643-2697
RROTULO@RROTULOCONSULTANTS.COM

APARTMENT HOMES BY TONTI

EDENBOURNE COURTS & GARDENS - WEST POOL
3312 EDENBOURNE AVE
METAIRIE, LOUISIANA 70002

Copyright 2016 © Rotolo Consultants Inc.
These drawings or parts thereof, may not be reproduced in any form, by any method, for any purpose, without prior written consent from Rotolo Consultants Inc.
Contact: Rod Rotolo 985-643-2427

Project No:

Revisions:		
No.	Date	Description

Date: 6/21/2016

Drawn: TJH

Checked:

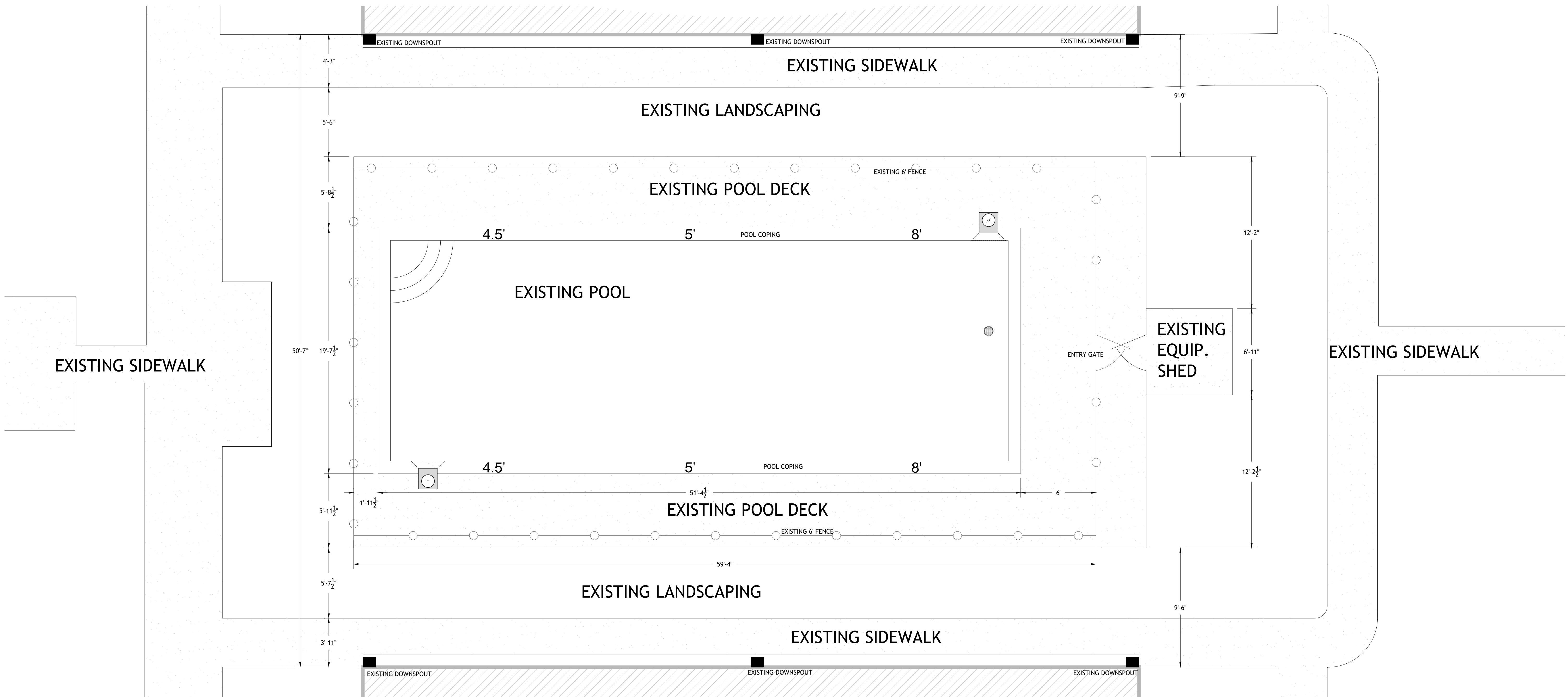
Sheet Title:

EXISTING POOL & DECK PLAN

Drawing No.

CI-1.0

2 of 8

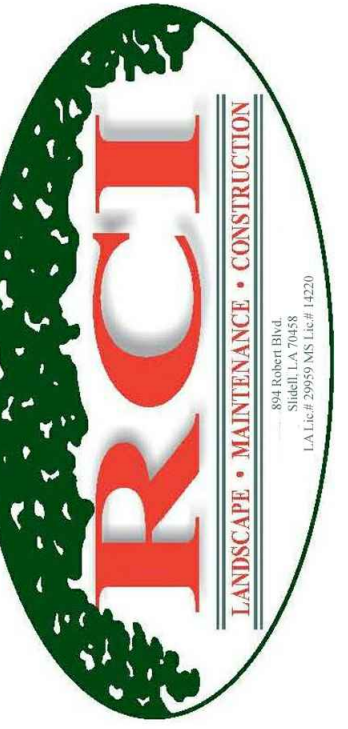


01 EXISTING POOL & DECK CONDITIONS
SCALE: 1/4" = 1'-0"

SYMBOL IDENTIFICATION LEGEND

- EXISTING SKIMMER
- EXISTING DOWNSPOUT
- EXISTING MAIN DRAIN
- 4.5' EXISTING WATER DEPTH
- EXISTING POOL FENCE

- ### NOTES
1. ALL EXISTING POOL PIPING TO BE REMOVED AND REPLACED.
 2. ORIGINAL POOL SHELL TO REMAIN, AND EXISTING SKIMMERS TO BE REMOVED. HOLES TO BE PUNCHED OR DRILLED AT 4" ON CENTER THROUGHOUT ENTIRE BOTTOM OF POOL.
 3. POOL DECK AREA WITHIN THE EXISTING POOL FENCE LINE IS TO BE DEMOLISHED AND REMOVED ENTIRELY. IN ORDER TO RECONSTRUCT NEW POOL AND POOL DECK IN ACCORDANCE WITH THIS POOL PLAN SET.
 4. EXISTING POOL FENCE WILL BE DEMOLISHED AND REMOVED ENTIRELY.
 5. ONCE FENCE IS REMOVED, SAFETY BARRIERS SHALL IMMEDIATELY BE PLACED TO RESTRICT ACCESS TO THE AREA UNDER CONSTRUCTION / DEMOLITION UNTIL FENCE IS REINSTALLED IN NEW LOCATION PER THIS PLAN SET, AND CONSTRUCTION IS COMPLETED.
 6. EXISTING EQUIPMENT SLAB IS TO BE DEMOLISHED, INCLUDING THE SHED STRUCTURE WHICH HOUSES THE POOL EQUIPMENT.
 7. THE EXISTING POOL DECK SHALL BE SAW CUT WHERE POOL DECK PAVING IS SHARED WITH SIDEWALK PAVING. ALL SAW CUTS TO BE DETERMINED IN THE FIELD.
 8. A CONSTRUCTION JOINT SHALL THEN BE PLACED TO ALLOW FOR NEW POOL DECKING TO BE POURED IN PLACE.



894 ROBERT BOULEVARD
SLIDELL, LOUISIANA 70458
PH: 985-643-2427
FAX 985-643-2691
RROTOL@ROTOLOCONSULTANTS.COM

APARTMENT HOMES BY TONTI

EDENBOURNE COURTS & GARDENS - WEST POOL
3312 EDENBOURNE AVE
METAIRIE, LOUISIANA 70002

Copyright 2016 Rotolo Consultants Inc.
These drawings or parts thereof, may not be reproduced in any form, by any method, for any purpose, without prior written consent from Rotolo Consultants Inc.
Contact: Rod Rotolo 985-643-2427
Project No:

Revisions:		
No:	Date:	Description:

Date: 6/21/2016

Drawn: TJH

Checked:

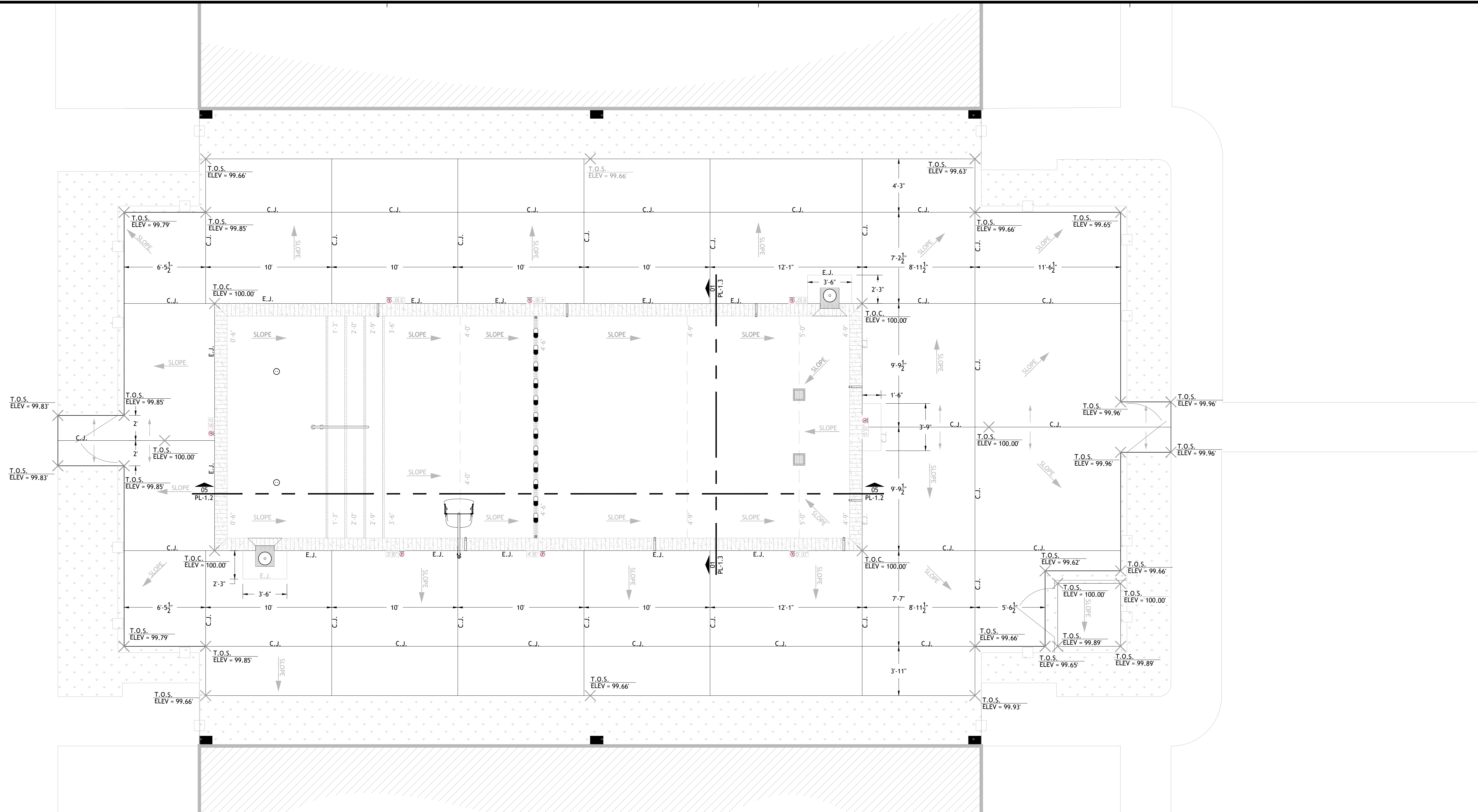
Sheet Title:

POOL DECK GRADING / DECK JOINT LAYOUT PLAN

Drawing No:

CI-1.1

3 of 8

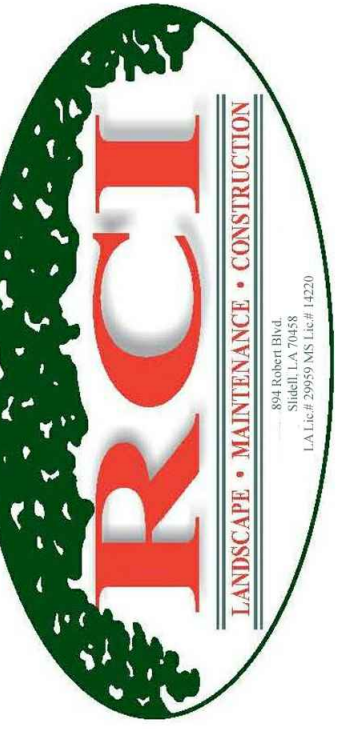


01 POOL AND POOL DECK LAYOUT & GRADING PLAN
PL-1.0 SCALE: 1/4" = 1'-0"

SYMBOL IDENTIFICATION LEGEND

- ADA POOL LIFT PER CODE
- EXISTING SKIMMER
- EXISTING DOWNSPOUT
- 9X9 MAIN DRAIN (VGB AND NSF COMPLIANT)
- 1.90" O. D. S.S. HANDRAIL PER CODE
- ADJUSTABLE FLOOR INLET
- EXISTING POOL FENCE
- DECK DEPTH MARKERS
- EXPANSION JOINT
- CONTROL JOINT
- INDICATES SLOPE DIRECTION
- TOP OF COPING
- TOP OF SLAB

- ### NOTES
- ALL ARROWS SHOWN ON THIS PLAN VIEW INDICATE SLOPE DIRECTION.
 - ALL SLOPES WITHIN THE POOL SHALL NOT EXCEED 1:12 (MAXIMUM SLOPE FOR DEEP END SHALL BE 3:12), AND SHALL AT LEAST BE 1/8" PER FOOT MINIMUM.
 - ALL SLOPES ON THE POOL DECK SHALL BE A MINIMUM OF 1/8" PER FOOT, AND A MAXIMUM OF 1/2" PER FOOT.
 - A SHEPARD'S HOOK (LIFE SAVING HOOK) ALONG WITH ONE 1/2" MINIMUM FIXED POLE SHALL BE PLACED ON THE FENCE WITH HOOKS, ALLOWING FOR EASY ACCESS. THE POLE AND HOOK SHALL BE LOCATED AS CLOSE TO THE CENTER OF THE POOL AS POSSIBLE ON THE POOL FENCE.
 - ALL FINISHED GRADES SHOWN ON PLAN REPRESENT TOP OF FINISHED SURFACE.
 - DRAINAGE SHALL RUN OFF CONCRETE PAVED SURFACES AS INDICATED, AND INTO SURROUNDING LANDSCAPING.



894 ROBERT BOULEVARD
SLIDELL, LOUISIANA 70458
PH: 985-643-2427
FAX: 985-643-2691
ROTOLO@ROTOLOCONSULTANTS.COM

APARTMENT HOMES BY TONTI

EDENBOURNE COURTS & GARDENS - WEST POOL
3312 EDENBOURNE AVE
METAIRIE, LOUISIANA 70002

Copyright 2016 © Rotolo Consultants Inc.
These drawings or parts thereof, may not be reproduced in any form, by any method, for any purpose, without prior written consent from Rotolo Consultants Inc.
Contact: Rod Rotolo 985-643-2427
Project No:

Revisions:		
No.	Date	Description

Date: 6/21/2016

Drawn: TJH

Checked:

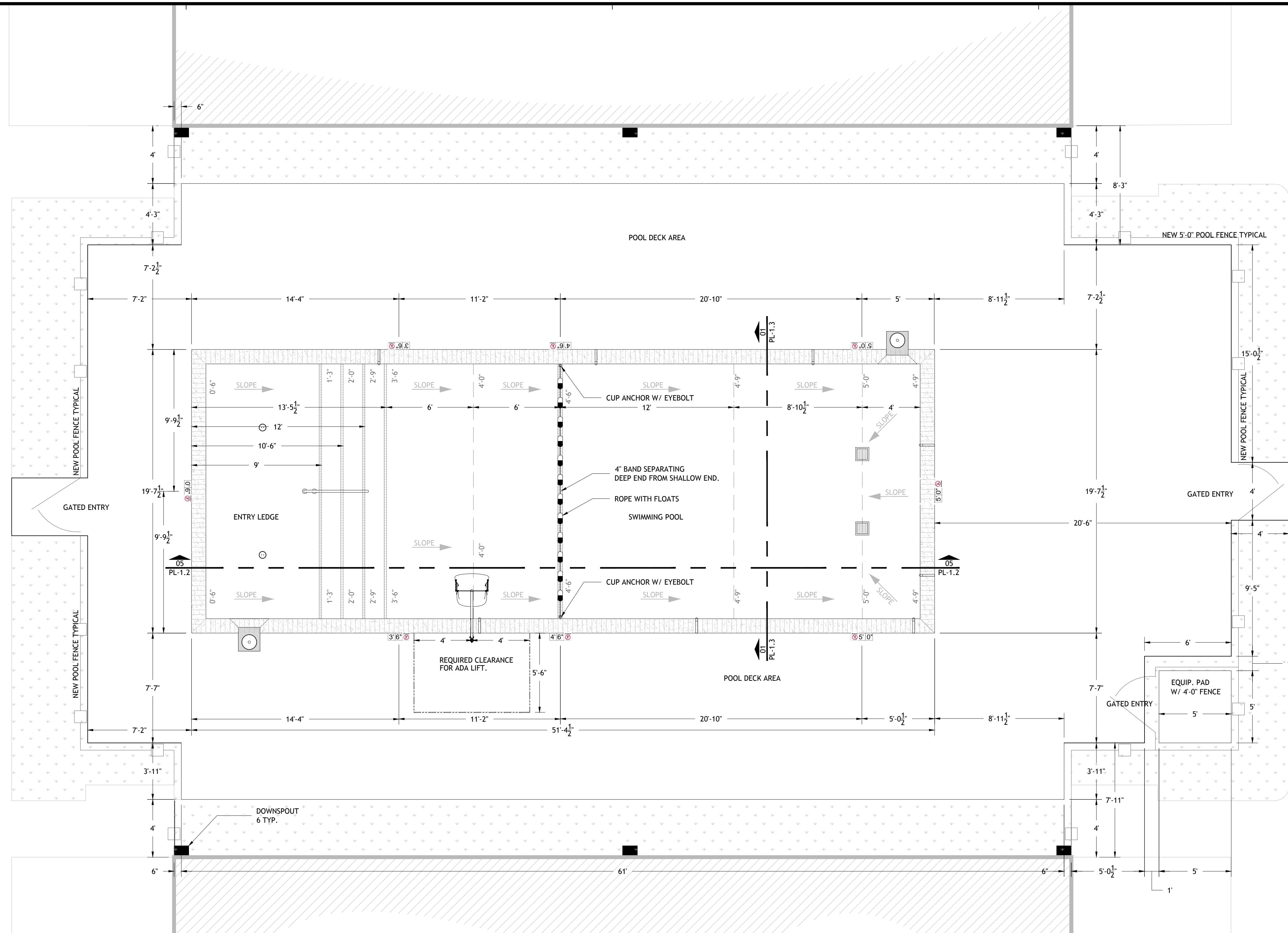
Sheet Title:

**POOL, &
POOL DECK
LAYOUT PLAN**

Drawing No.

PL-1.0

Sheet No.
4 of 8

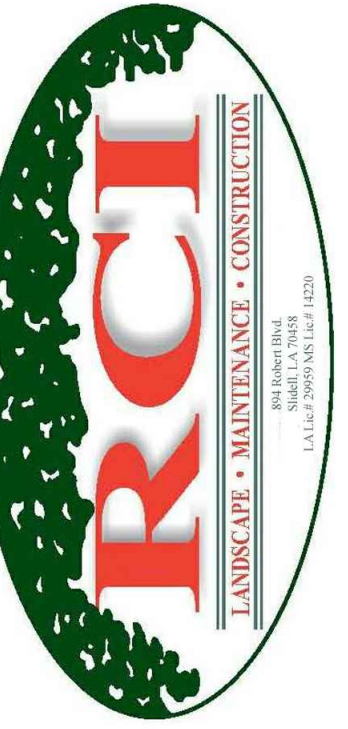


01 POOL AND POOL DECK LAYOUT & GRADING PLAN
PL-1.0 SCALE: 1/4" = 1'-0"

SYMBOL IDENTIFICATION LEGEND

- ADA POOL LIFT PER CODE
- EXISTING SKIMMER
- EXISTING DOWNSPOUT
- WATER DEPTH
- 9X9 MAIN DRAIN (VGB AND NSF COMPLIANT)
- 1.90" O.D. S.S. HANDRAIL PER CODE
- ADJUSTABLE FLOOR INLET
- EXISTING POOL FENCE
- DECK DEPTH MARKERS

FILE: - XREFS: -



894 ROBERT BOULEVARD
SLIDELL, LOUISIANA 70458
PH: 985-643-2427
FAX 985-643-2691
RROTOLO@ROTOCONSULTANTS.COM

APARTMENT HOMES BY TONTI

EDENBOURNE COURTS & GARDENS - WEST POOL
3312 EDENBOURNE AVE
METAIRIE, LOUISIANA 70002

Copyright 2016 © Rotolo Consultants Inc.
These drawings or parts thereof, may not be reproduced in any form, by any method, for any purpose, without prior written consent from Rotolo Consultants Inc.
Contact: Rod Rotolo 985-643-2427
Project No:

Revisions:		
No:	Date:	Description:

Date: 6/21/2016

Drawn: TJH

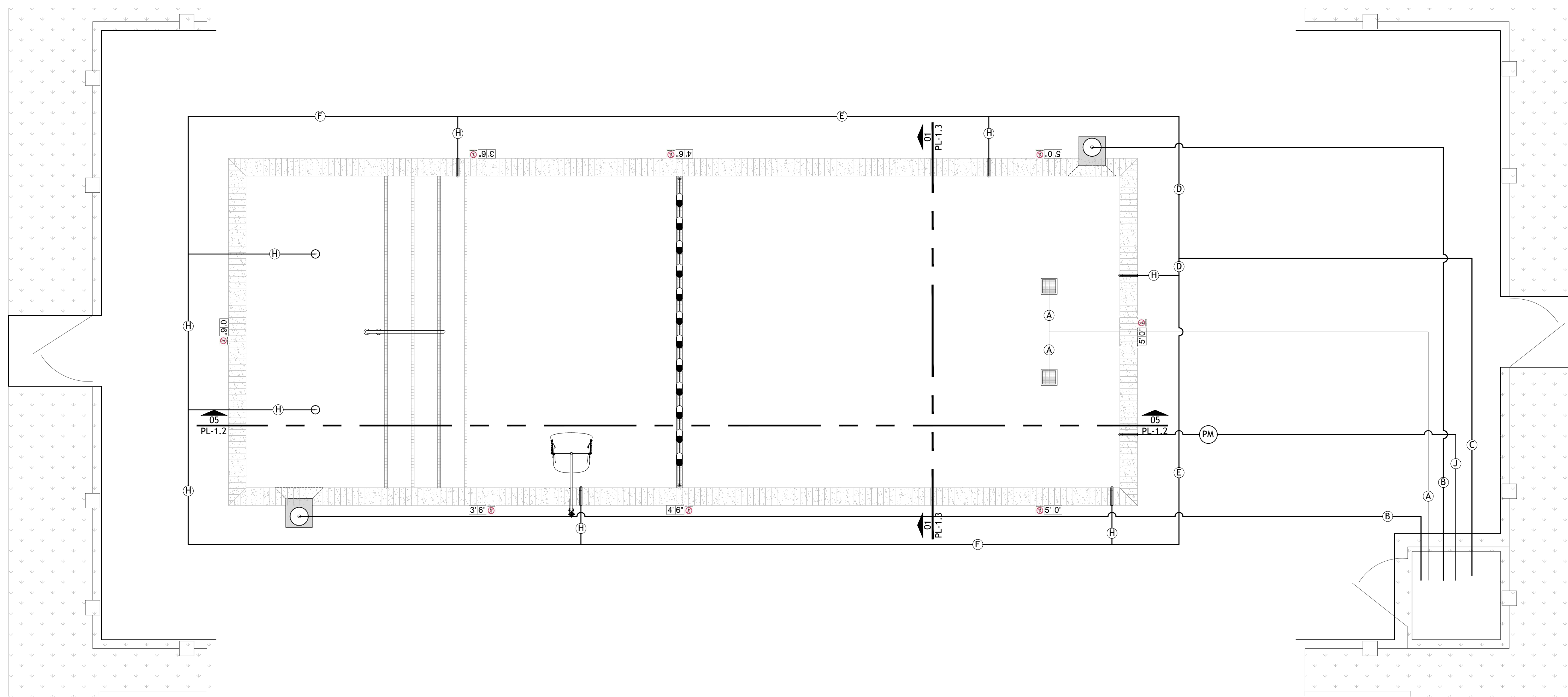
Checked:

Sheet Title:

POOL PLUMBING PLAN

Drawing No.

PL-1.1



01 POOL PLUMBING LAYOUT PLAN
PL-1.1 SCALE: 1/4" = 1'-0"

PIPE SCHEDULE

PIPE ID	DESCRIPTION	SIZE	TYPE	FLOW RATE	VELOCITY
A	MAIN DRAIN SUCTION	3.0 INCH	SCH 40 PVC	110 GPM	4.99 FPS
B	SKIMMER SUCTION	2.0 INCH	SCH 40 PVC	55 GPM	5.62 FPS
C	RETURN LINE	3.0 INCH	SCH 40 PVC	110 GPM	4.99 FPS
D	RETURN LINE	2.5 INCH	SCH 40 PVC	62.86 GPM	4.11 FPS
E	RETURN LINE	2.0 INCH	SCH 40 PVC	47.14 GPM	4.81 FPS
F	RETURN LINE	2.0 INCH	SCH 40 PVC	31.43 GPM	3.21 FPS
H	RETURN LINE	1.5 INCH	SCH 40 PVC	15.71 GPM	2.85 FPS
J	FILL LINE	2.0 INCH	SCH 40 PVC	N/A	N/A

SYMBOL IDENTIFICATION LEGEND

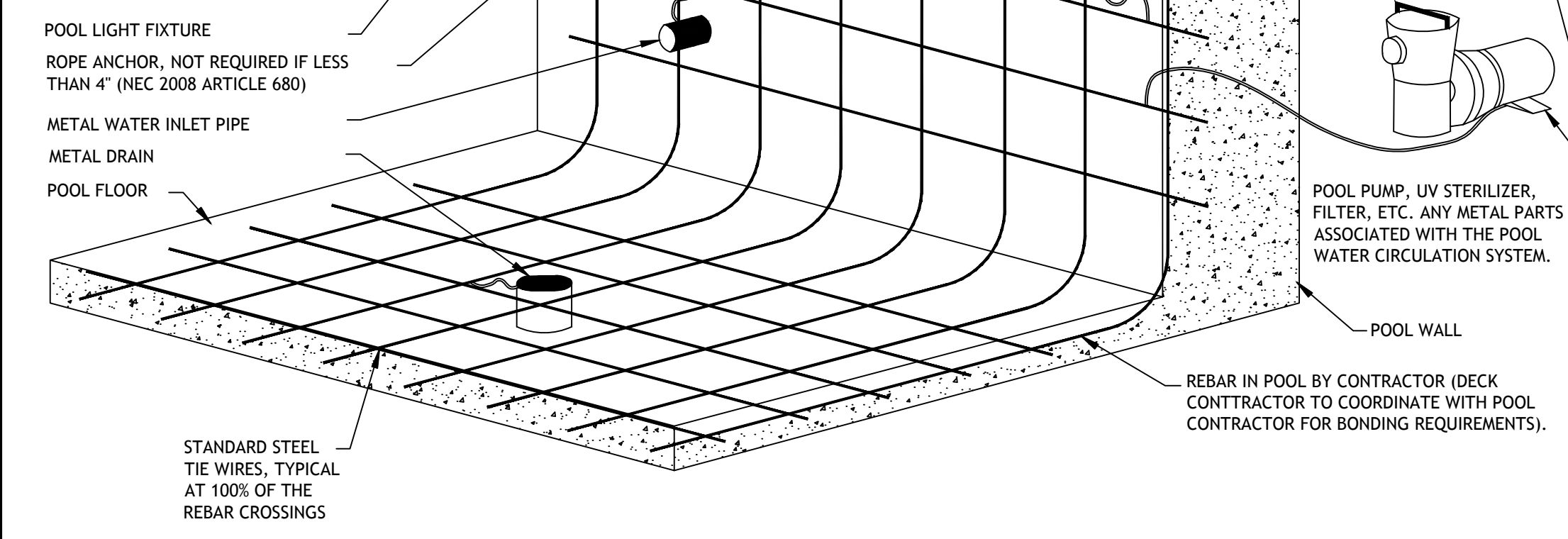
- ADA POOL LIFT PER CODE
- EXISTING SKIMMER
- EXISTING DOWNSPOUT
- WATER DEPTH
- 9X9 MAIN DRAIN (VGB AND NSF COMPLIANT)
- 1.90" O.D. S.S. HANDRAIL PER CODE
- ADJUSTABLE FLOOR INLET
- POOL INLET
- DECK DEPTH MARKERS

POOL DESIGN DATA

WATER VOLUME = 23,966 GALLONS
 TURNOVER RATE = 3.63 HOURS
 FLOW RATE = 110 GPM
 WATER SURFACE AREA = 870 SQ. FT.
 POOL PERIMETER = 141 LN. FT.
 TOTAL HEAD LOSS = 76.65 FT.
 MAXIMUM BATHER LOAD = 34 PERSONS

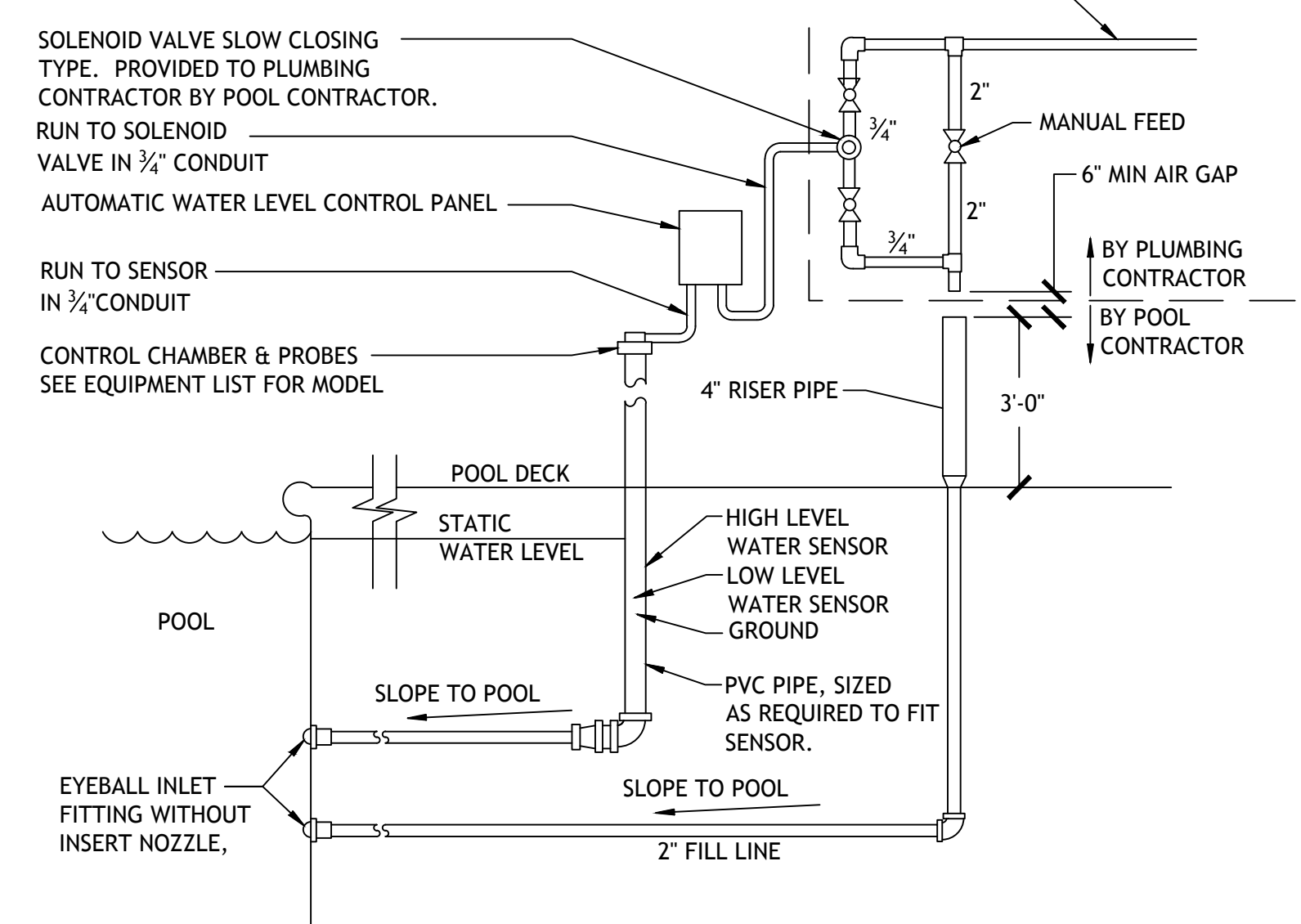
- ### NOTES
- ALL EXISTING POOL PIPING TO BE PRESSURE TESTED IN FULL ACCORDANCE WITH LAC TITLE 51 SWIMMING POOL CODE WHEN DETERMINING SUITABILITY TO BE USED, OR IF PLUMBING NEEDS TO BE REPLACED.
 - UPON INSTALLATION OF ALL PLUMBING, ALL PIPING SHALL BE PRESSURIZED IN ACCORDANCE WITH LAC TITLE 51 CODE REQUIREMENTS, AND REMAIN SO FOR THE DURATION OF THE CONSTRUCTION PROJECT.
 - ALL PLUMBING LINES ARE SHOWN ON PLAN FOR CLARITY, AND SHALL BE FIELD LOCATED AS NEEDED.

1. ANY AND ALL METAL PARTS ASSOCIATED WITH THE POOL WATER CIRCULATION SYSTEM (I.E. PUMPS) SHALL BE BONDED PER NEC 2008 ARTICLE 680.
2. ALL METAL PARTS WITHIN 5 FT. OF THE INSIDE WALL OF THE POOL AND NOT SEPARATED BY A PERMANENT BARRIER ARE REQUIRED TO BE BONDED PER NEC 2008 ARTICLE 680.
THIS LIST INCLUDES BUT IS NOT LIMITED TO THE FOLLOWING: ALL METAL PARTS OF THE POOL STRUCTURE, CONDUIT AND PIPING, METAL DOOR FRAMES, METAL WINDOW FRAMES, DIVING BOARDS, HANDRAILS, LADDERS, DRAINS, OUTLET PIPES, SLIDE SUPPORTS, WATER FEATURES, ETC...
THE BONDING OF THESE PARTS DOES NOT MEAN THEY ARE REQUIRED TO BE CONNECTED TO EACH OTHER; RATHER, IT MEANS THEY ARE REQUIRED TO BE CONNECTED TO A COMMON EQUIPOTENTIAL BONDING GRID.
3. ALL EQUIPOTENTIAL BONDING TERMINATIONS MUST BE MADE BY EXOTHERMIC WELDING, LISTED PRESSURE CONNECTORS OF THE SET SCREW OR COMPRESSION TYPE, LISTED CLAMPS, OR OTHER LISTED FITTINGS, (NEC 2008 ARTICLE 680)

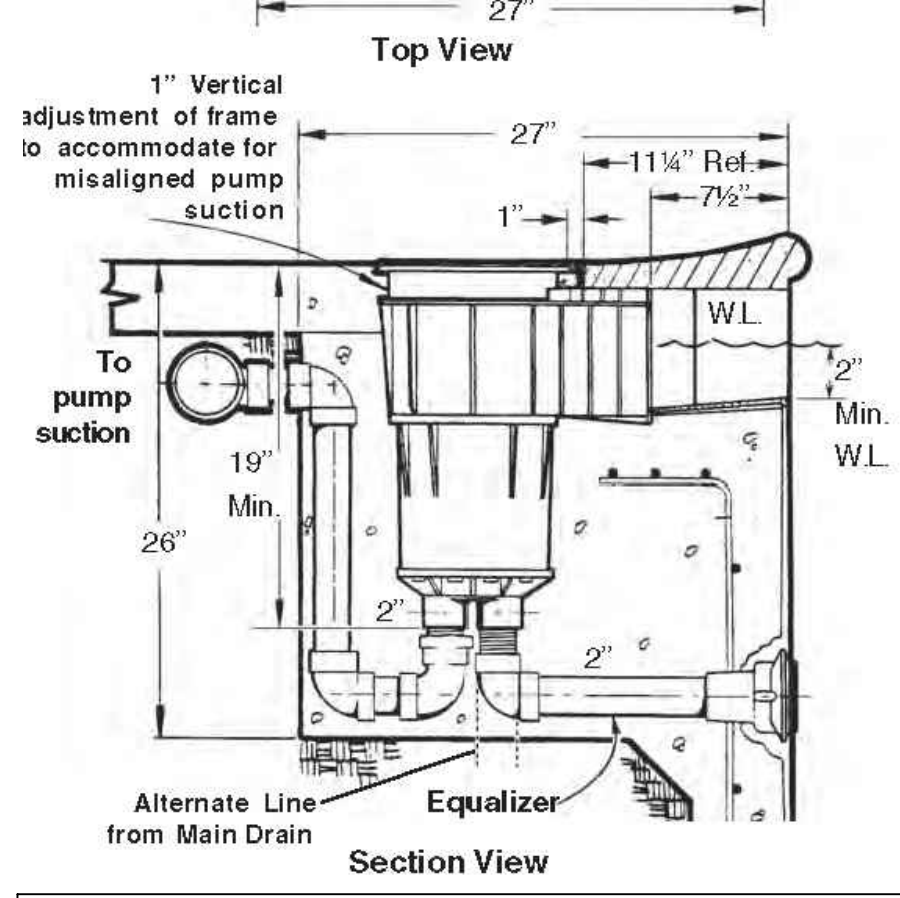
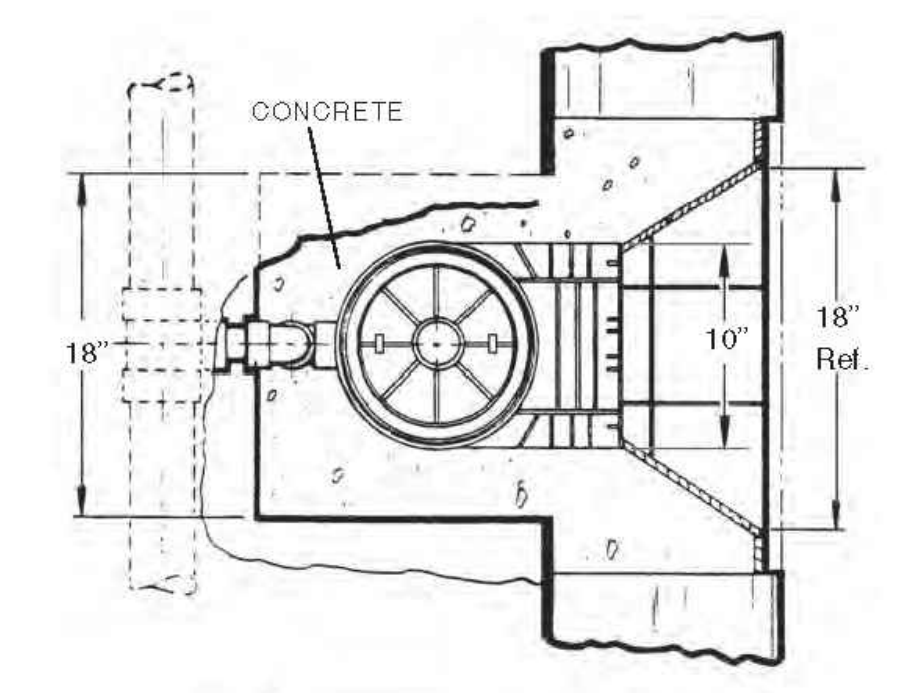


01 TYPICAL GROUNDING & BONDING DETAIL
PL-1.2 SCALE: NOT TO SCALE

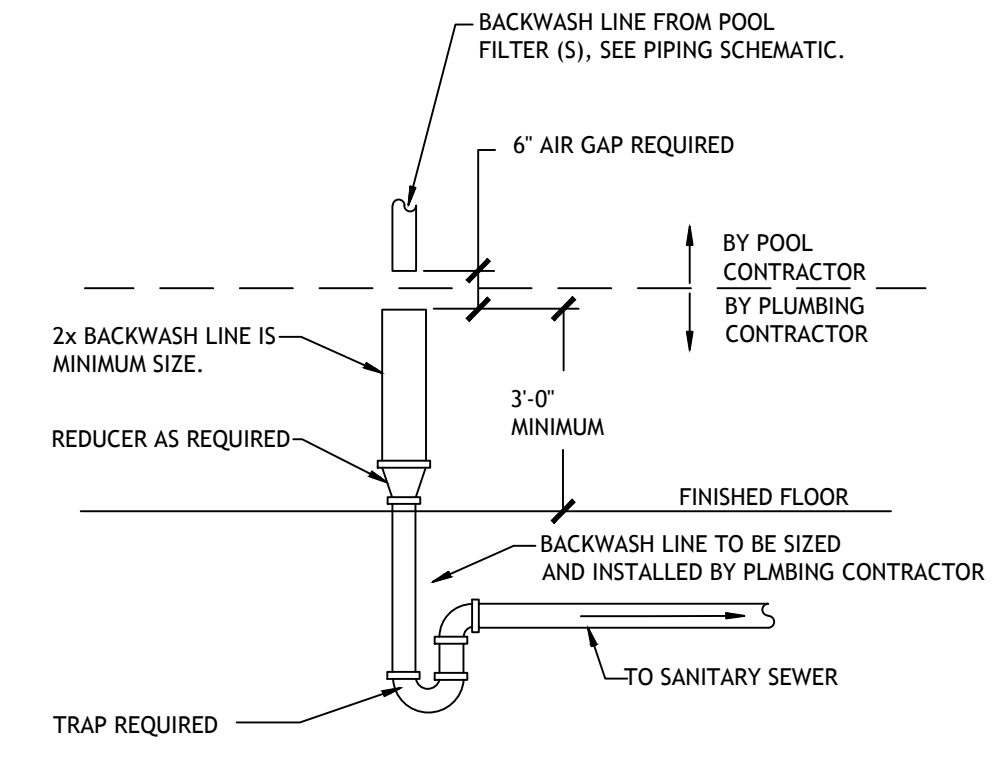
NOTE:
ALSO REFER TO THE INSTALLATION AND OPERATION INSTRUCTIONS FROM THE MANUFACTURER ON THE AUTOMATIC WATER LEVEL CONTROLLER. SEE EQUIPMENT LIST FOR MAKE AND MODEL.



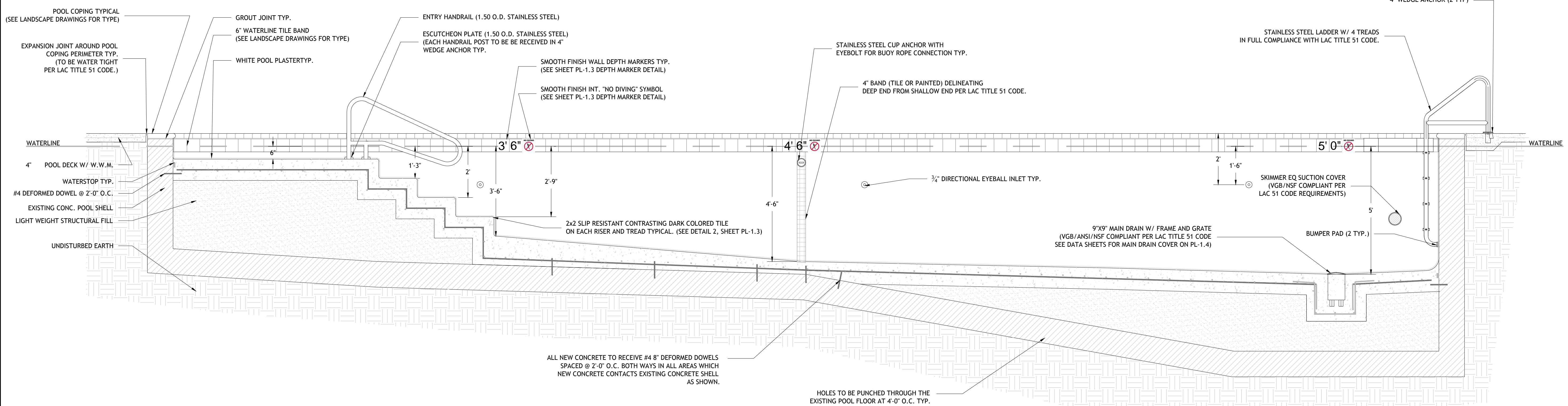
02 AUTOFILL DETAIL
PL-1.2 SCALE: NOT TO SCALE



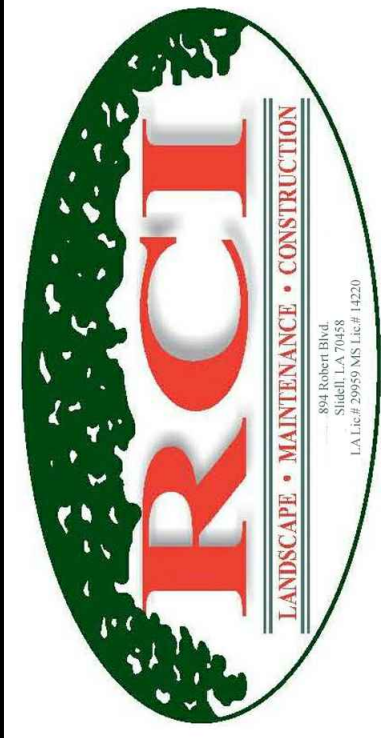
03 SKIMMER TYP. DETAILS
PL-1.2 SCALE: NOT TO SCALE



04 BACKWASH DETAIL
PL-1.2 SCALE: NOT TO SCALE



05 POOL CROSS SECTION
PL-1.2 SCALE: 1/2\"/>



894 ROBERT BOULEVARD
SLIDEL, LOUISIANA 70458
PH: 985-643-2427
FAX: 985-643-2691
ROTOLO@ROTOLOCONSULTANTS.COM

APARTMENT HOMES BY TONTI
EDENBOURNE COURTS & GARDENS - WEST POOL
3312 EDENBOURNE AVE
METAIRIE, LOUISIANA 70002

Copyright 2016 Rotolo Consultants Inc.
These drawings or parts thereof, may not be reproduced in any form, by any method, for any purpose, without prior written consent from Rotolo Consultants Inc.
Contact: Rod Rotolo 985-643-2427
Project No:

Revisions:		
No.	Date:	Description:

Date: 6/21/2016
Drawn: TJH
Checked:
Sheet Title:

POOL SECTIONS & TYPICAL DETAILS

Drawing No.

PL-1.2

Revisions:		
No:	Date:	Description:

Date: 6/21/2016

Drawn: TJH

Checked:

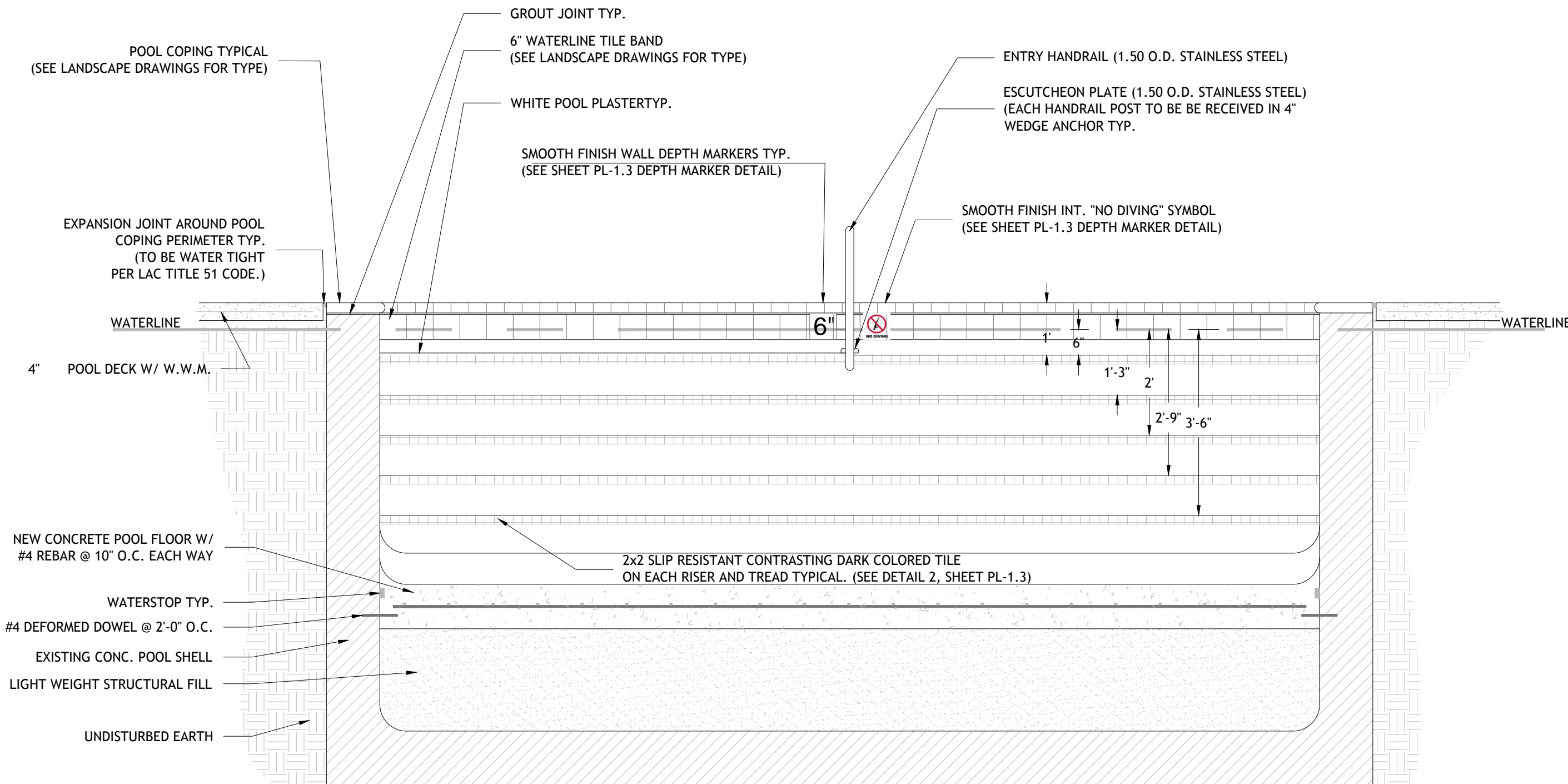
Sheet Title:

POOL SECTIONS & TYPICAL DETAILS

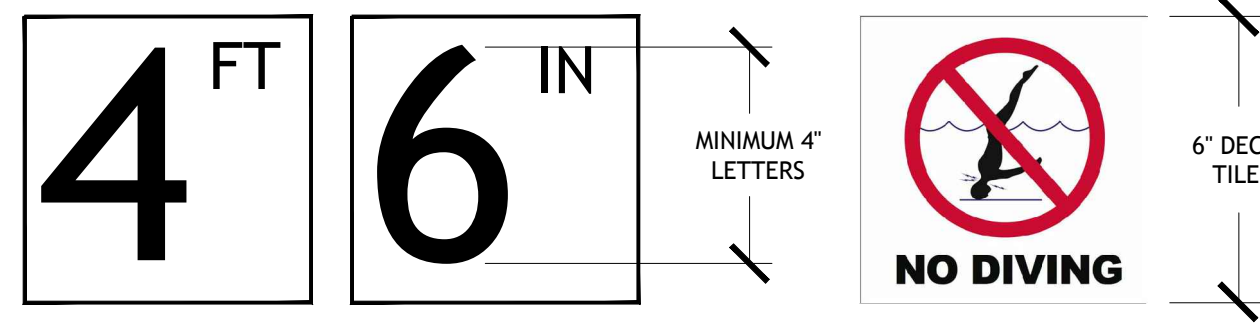
Drawing No.

PL-1.3

7 of 8

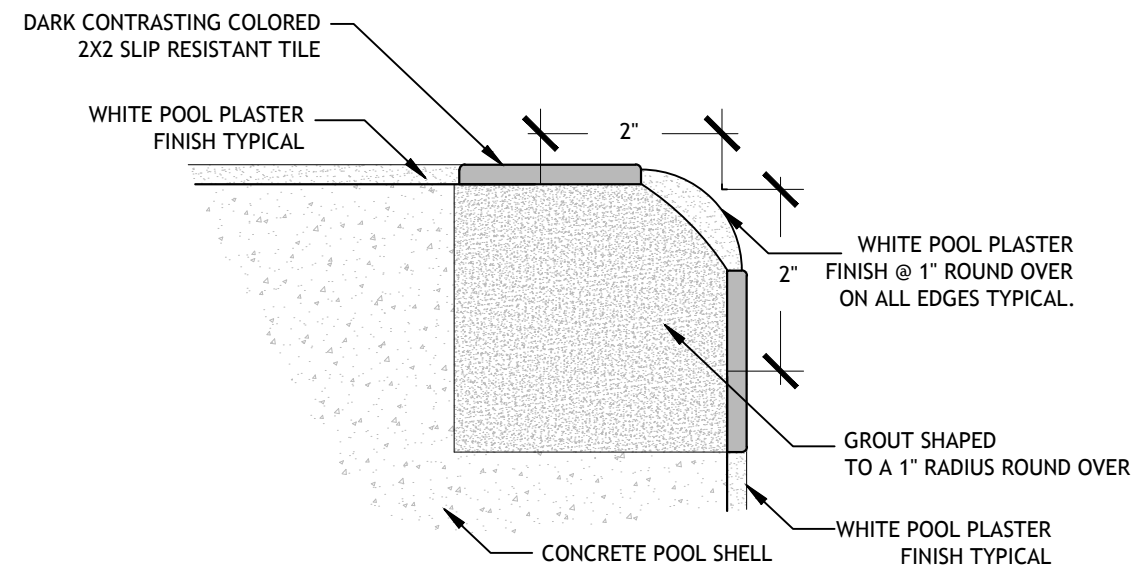


01 POOL SECTION
PL-1.3 SCALE: 1/2" = 1'-0"

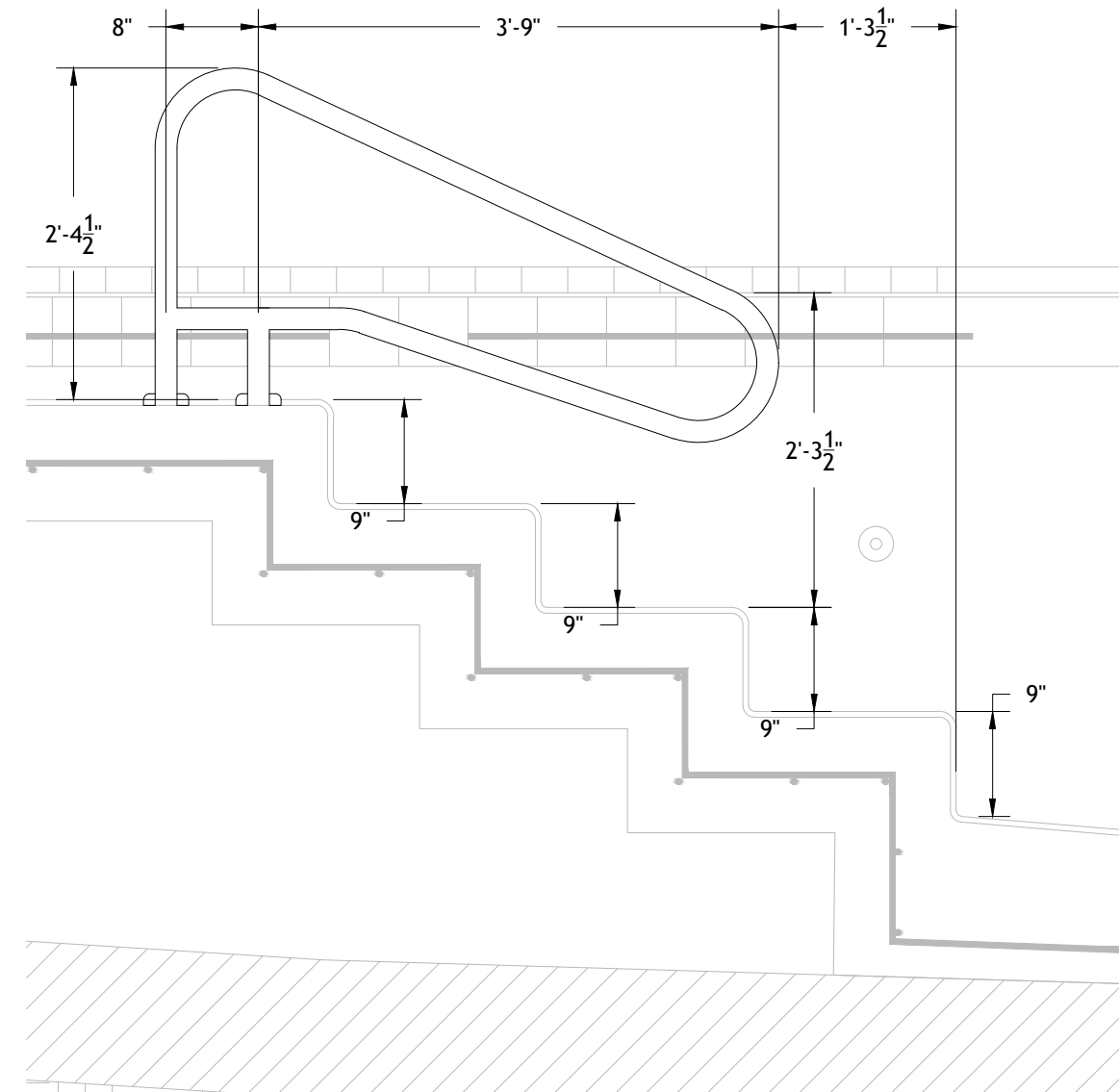


- DEPTH MARKERS**
MARKER REQUIREMENTS:
- DEPTH MARKERS BOTH SHOWING FEET AND INCHES
 - "NO DIVING" SYMBOL MARKER WITH EACH DEPTH MARKER.
- NOTES:
- DEPTH MARKERS SHALL BE PLACED ON THE DECK WITH SPACING NOT TO EXCEED 25'-0", NO MORE THAN 2 FOOT OF CHANGE IN SLOPE, AND TO ALSO PLACE A CORRESPONDING DEPTH MARKER IN DUPLICATE ON THE POOL WALL.
 - DECK TILES TO BE WITHIN 18" OF THE POOL WATER SURFACE
 - DECK TILES TO BE POSITIONED TO BE READ WHILE STANDING ON THE DECK FACING THE WATER.
 - DEPTH MARKERS TO BE IN ENGLISH.
 - NUMERICAL COLOR OF LETTERING TO BE BLACK, ON WHITE BACKGROUND.
 - "NO DIVING" INTERNATIONAL SYMBOL MARKER TO BE PLACED AT EVERY LOCATION WHERE A DEPTH MARKER IS LOCATED.
 - ALL DECK DEPTH MARKERS & NO DIVING SYMBOLS ARE TO HAVE A SLIP RESISTANT FINISH TYPICAL.
 - POOL WALL DEPTH MARKERS & NO DIVING SYMBOLS ARE TO HAVE A SMOOTH FINISH.

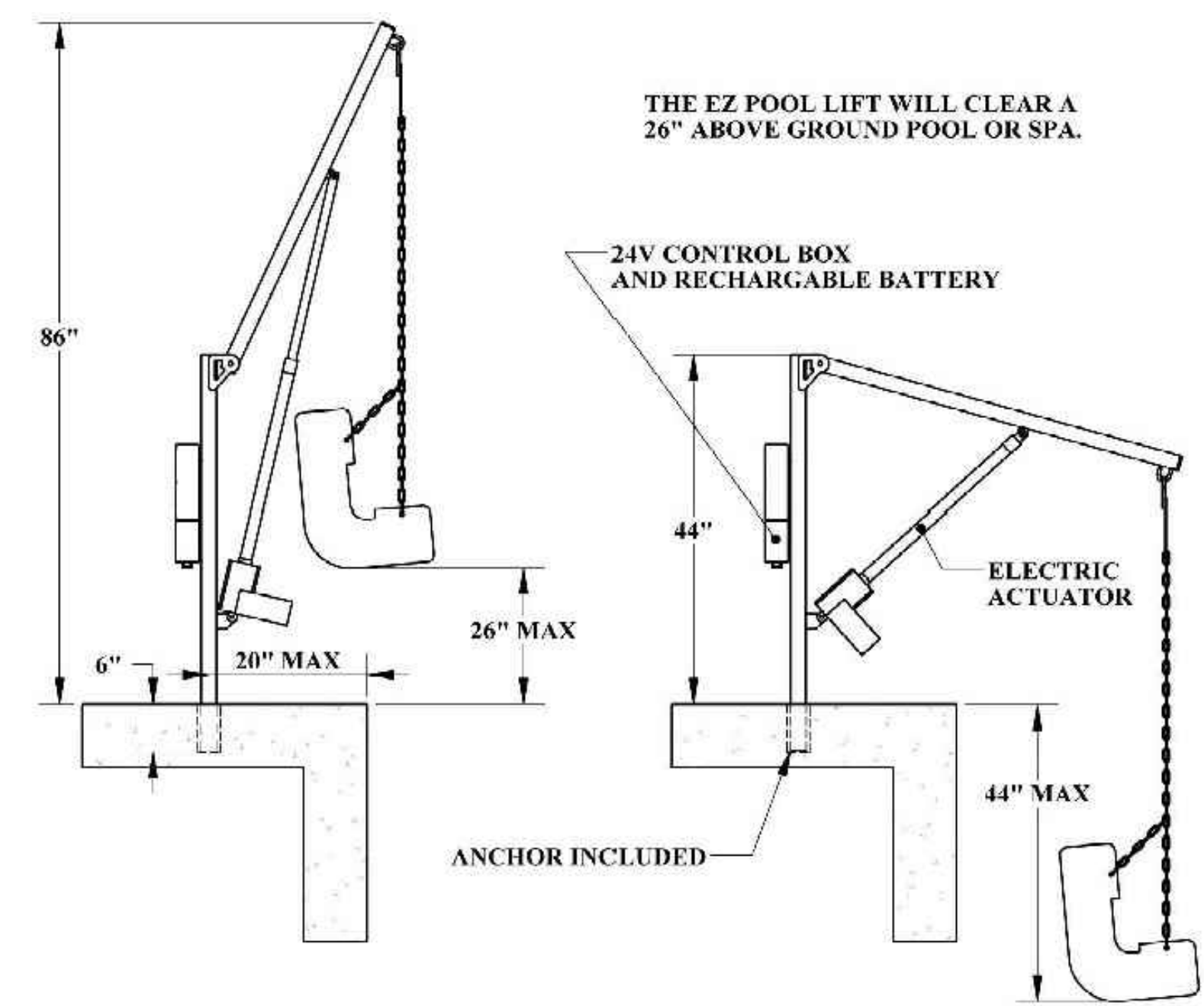
03 TYPICAL DEPTH MARKER DETAIL
PL-1.2 SCALE: NOT TO SCALE



02 TRIM TILE DETAIL
PL-1.2 SCALE: NOT TO SCALE



04 HAND RAIL DETAIL
PL-1.3 SCALE: 3/4" = 1'-0"



05 ADA POOL LIFT TYPICAL
PL-1.3 SCALE: NTS

