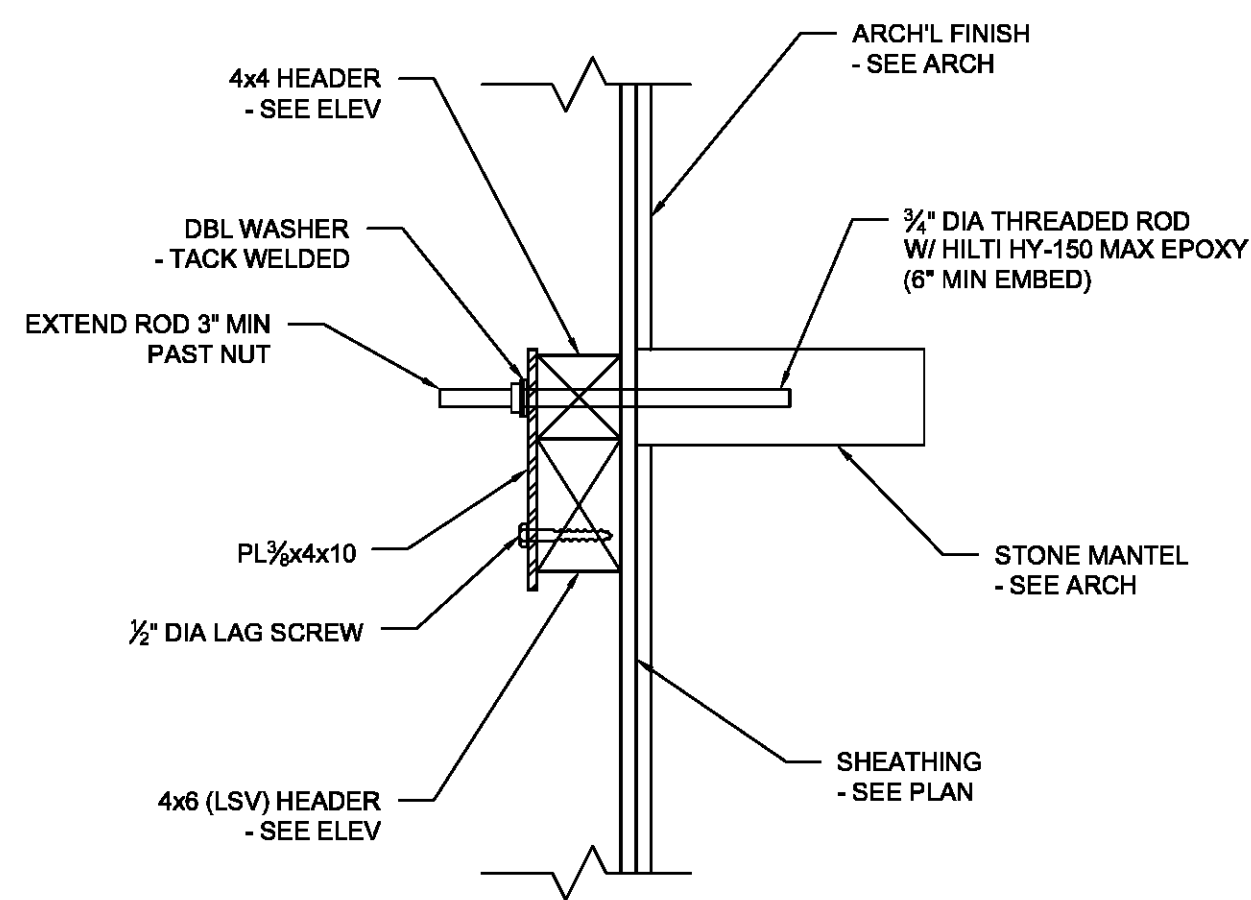
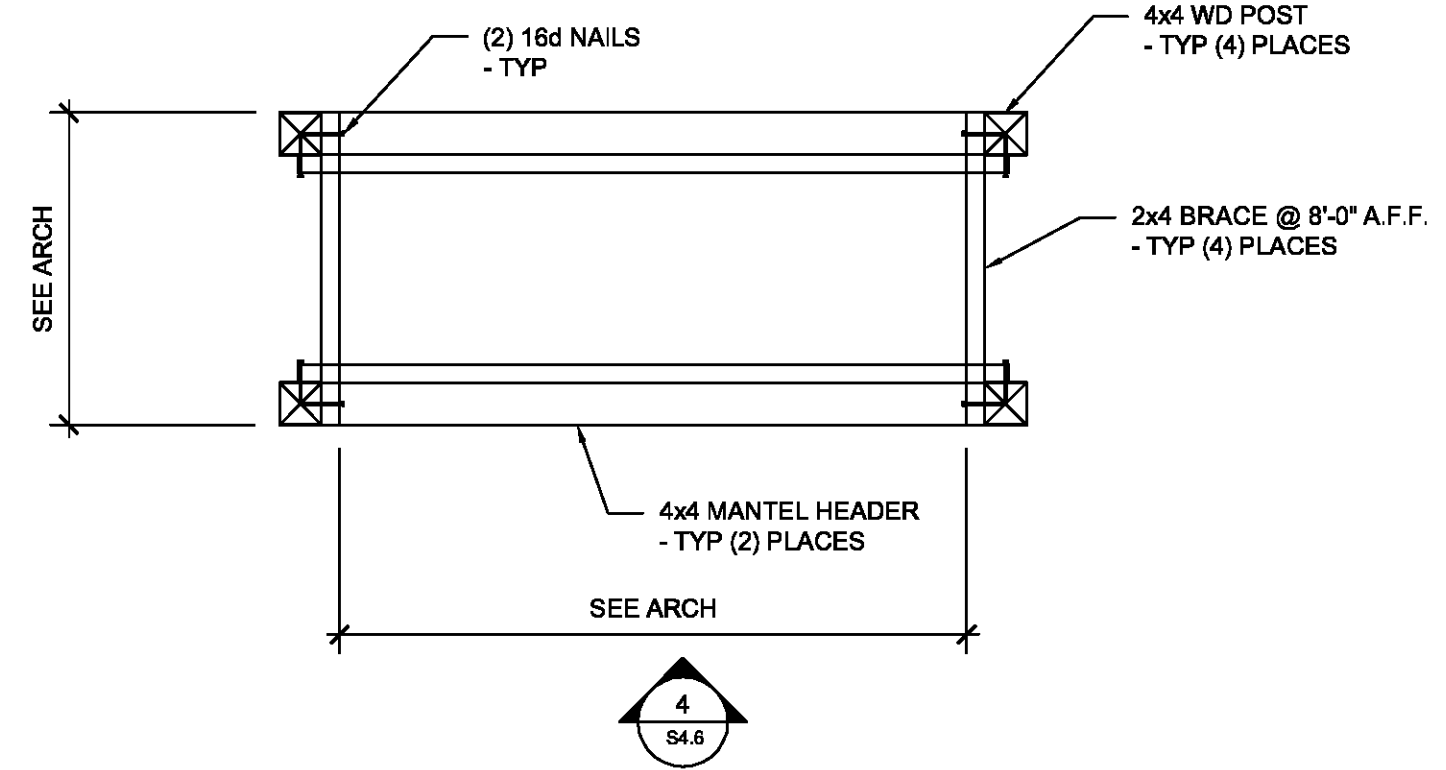


5 MANTLE CONNX DETAIL
SCALE: 3/4" = 1'-0"

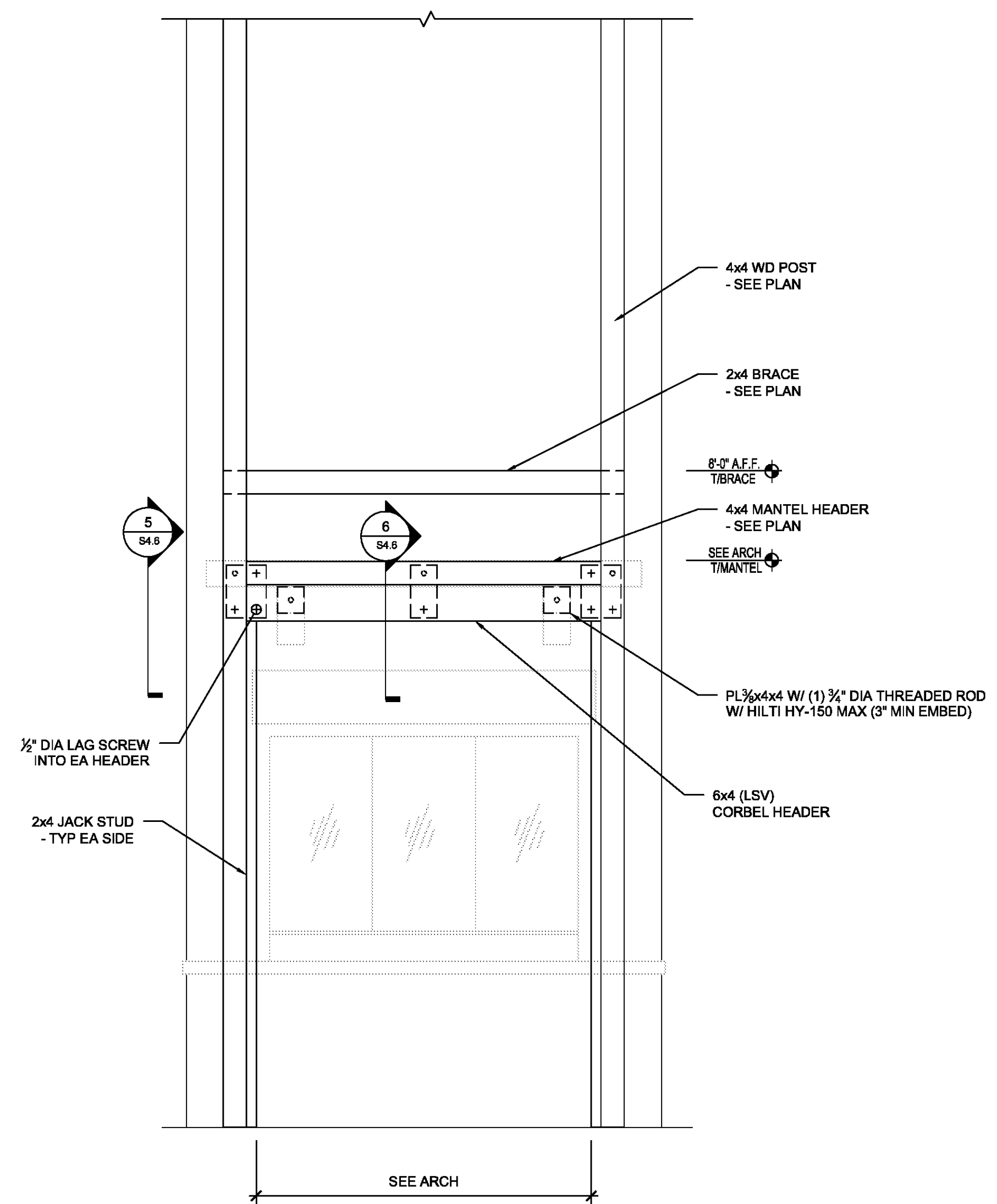


6 MANTLE CONNX DETAIL
SCALE: 3/4" = 1'-0"

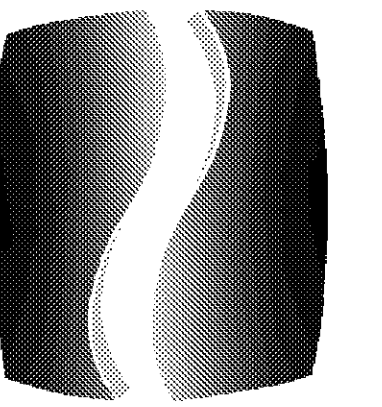


NOTE: ORIGINAL FIREPLACE FRAMING NOT SHOWN FOR CLARITY

2 FIREPLACE MANTLE FRAMING PLAN
SCALE: 3/4" = 1'-0"



4 FIREPLACE MANTLE FRAMING ELEVATION
SCALE: 3/4" = 1'-0"



PHILLIPS

Phone 770.394.1616 Fax 770.394.1314

CONSULTANT



PHILLIPS

STRUCTURAL STUDIO

400 PERIMETER CENTER TERRACE
SUITE 650 - NORTH
ATLANTA, GA 30346
770.394.1616

SEAL

ISSUE & REVISION RECORD

#	DATE	DESCRIPTION
	07/07/14	BID SET

This document is the property of Phillips Partnership, PC and is intended for use only on the project or projects indicated herein. All rights reserved. This document may not be reproduced without the prior written consent of Phillips Partnership, PC.

PROJECT

SPRINGS AT FREMAUX TOWN CENTER
SLIDELL, LA

CLIENT

CONTINENTAL PROPERTIES
CONTINENTAL 294 FUND LLC
W134 N0675 EXECUTIVE PARKWAY
MENOMONEE FALLS, WI 53051
262.502.5500 * FAX 262.502.5522

PHILLIPS JOB NUMBER 1333104

ISSUE DATE 07/07/14

DRAWN BY/CHECKED BY IS/TOV

DRAWING TITLE

CLUBHOUSE FIREPLACE MANTLE FRAMING

SHEET NUMBER

S4.6

NORTH TERRACES
400 PERIMETER CENTER TERRACE
SUITE 650
ATLANTA, GEORGIA 30346