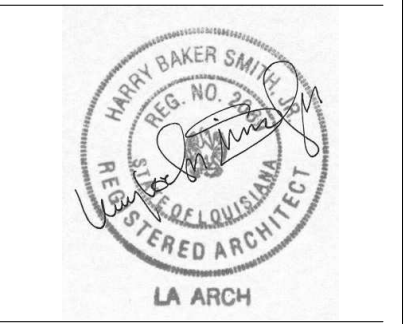


THESE PLANS AND SPECIFICATIONS HAVE BEEN PREPARED BY ME OR UNDER MY CLOSE PERSONAL SUPERVISION AND TO THE BEST OF MY KNOWLEDGE AND BELIEF THEY COMPLY WITH ALL CITY, STATE AND FEDERAL REQUIREMENTS, AND I AM NOT PROVIDING CONTRACT ADMINISTRATION.

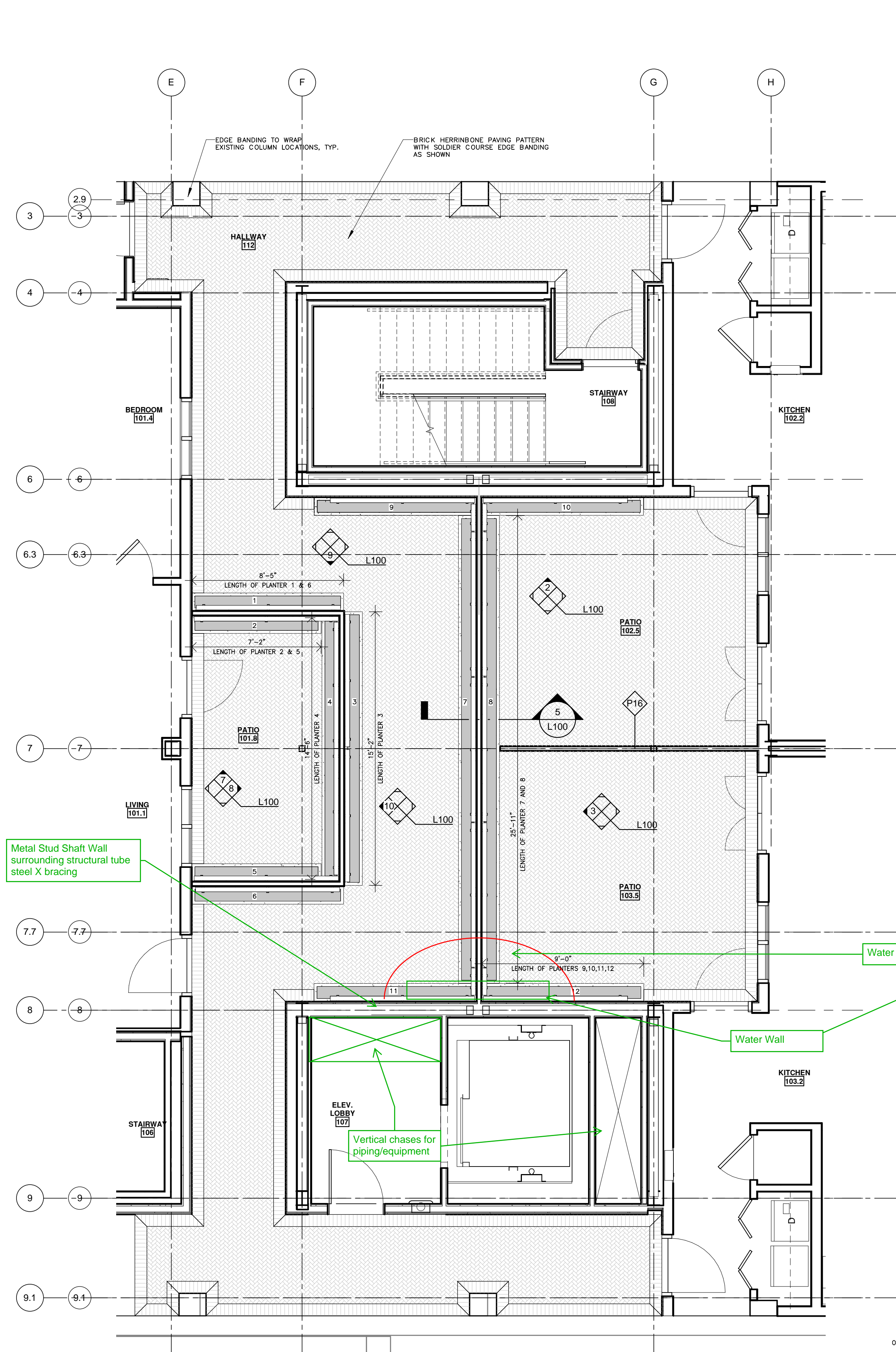


THIS DRAWING IS CONFIDENTIAL AND NOT BE LOANED, REPRODUCED, COPIED, EITHER WHOLLY OR IN PART, OR MADE PUBLIC IN ANY MANNER WITHOUT THE WRITTEN CONSENT OF HBSA II ARCHITECTS, A PROFESSIONAL L.L.C. ALL RIGHTS OF DESIGN OR INVENTION ARE RESERVED AND WILL REMAIN THE SOLE PROPERTY OF HBSA II ARCHITECTS A PROFESSIONAL L.L.C.

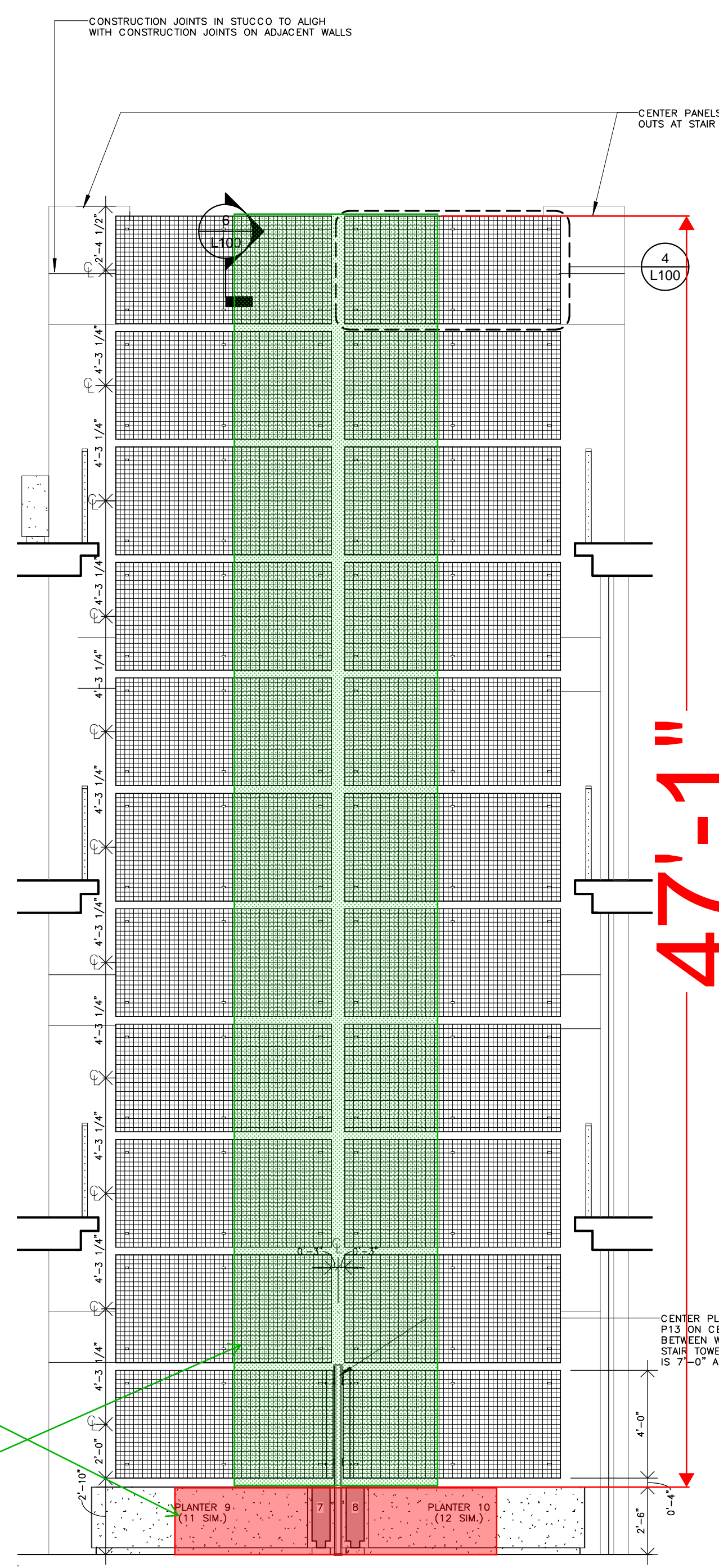
REVISION HISTORY						
1	06/20/16	SCHEMATIC DESIGN				
2	07/14/16	DESIGN DEVELOPMENT				
3	08/19/16	FOUNDATION PERMIT				
4	09/30/16	VCC PERMIT REVIEW				
5	11/07/16	FIRE MARSHALL RESPONSE				
6	11/29/16	VCC FINAL PERMIT REVIEW				
7	01/17/17	ARCH. PERMIT REVIEW				

LANDSCAPE PLAN
 PROJECT#: 1435
 PHASE: PERMIT
 DRAFTER: RUMBLEY
 CHECKER: SMITH
 SCALE: AS NOTED
 ISSUED: 11/17/2017

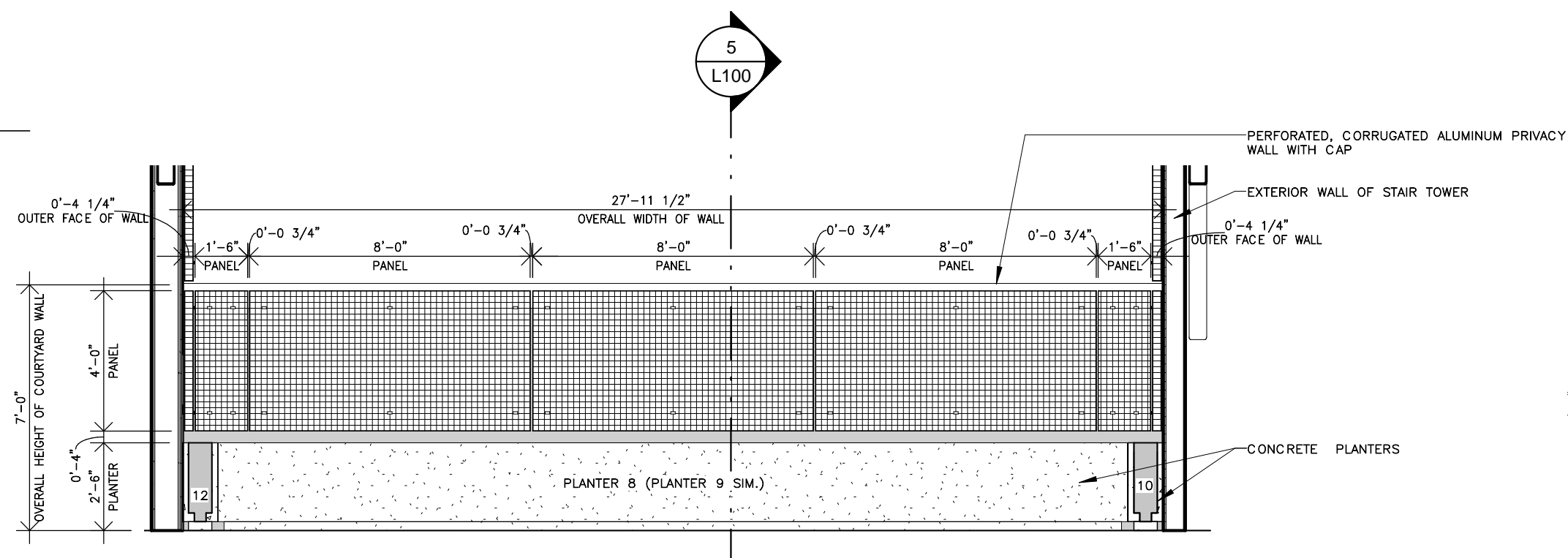
SHEET#:
L100



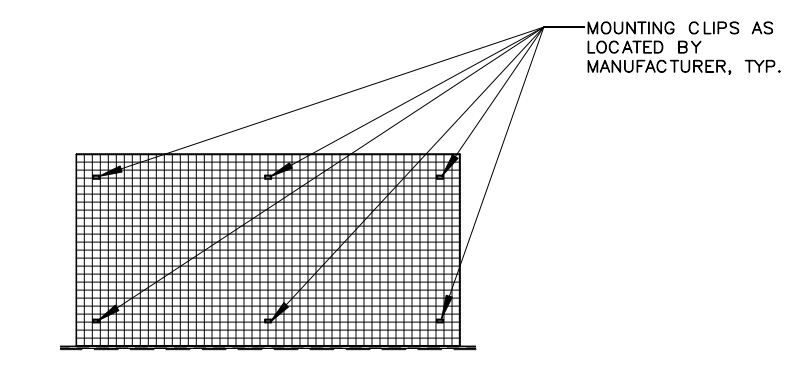
1 ENLARGED LANDSCAPE PLAN-GROUND FLOOR
 SCALE: 1/4" = 1'-0"



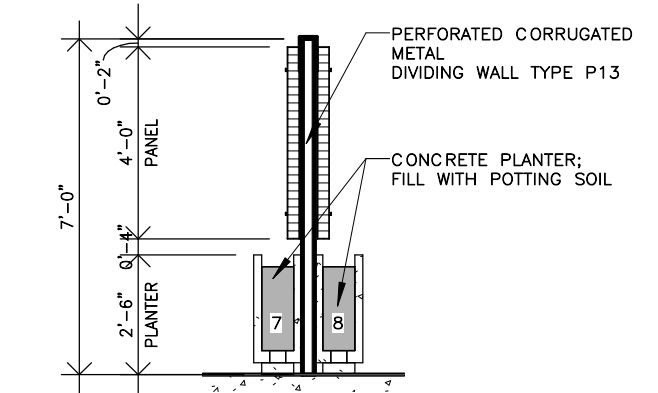
2 GREEN SCREEN AT STAIR TOWER TYP.
 SCALE: 1/4" = 1'-0"



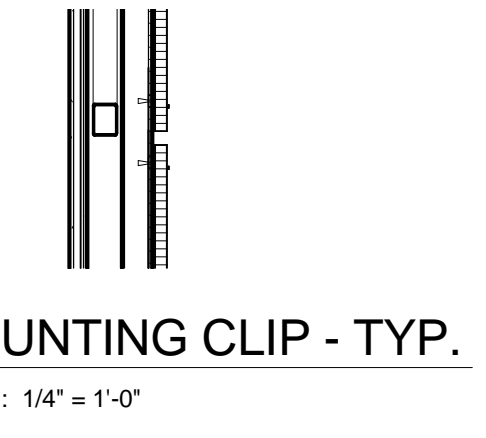
3 GREEN SCREEN AT PLANTER 8
 SCALE: 1/4" = 1'-0"



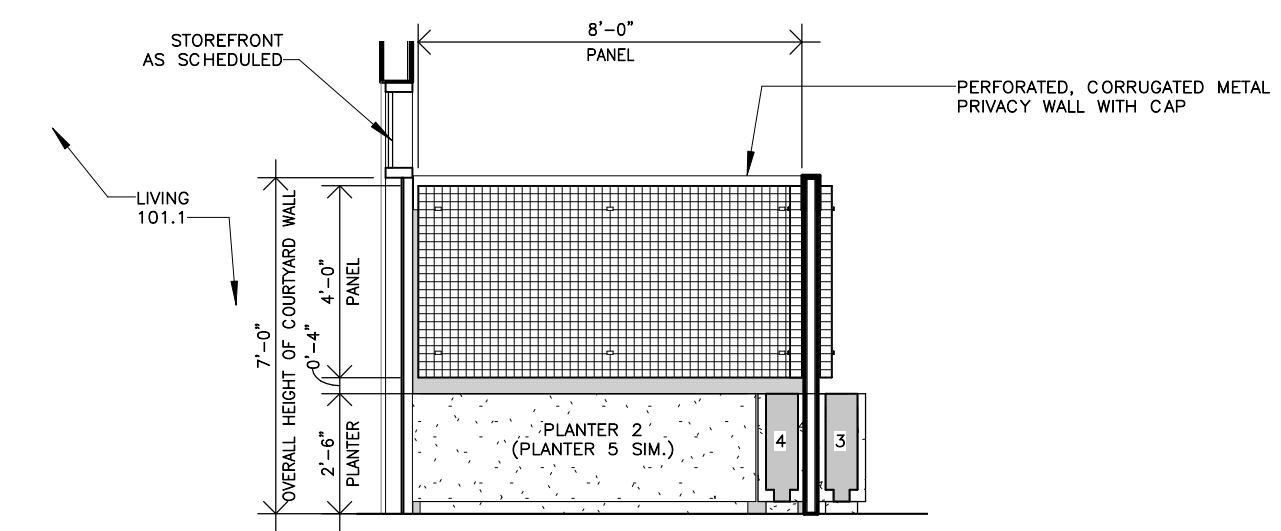
4 GREEN SCREEN TOWER PANEL TYP.
 SCALE: 1/4" = 1'-0"



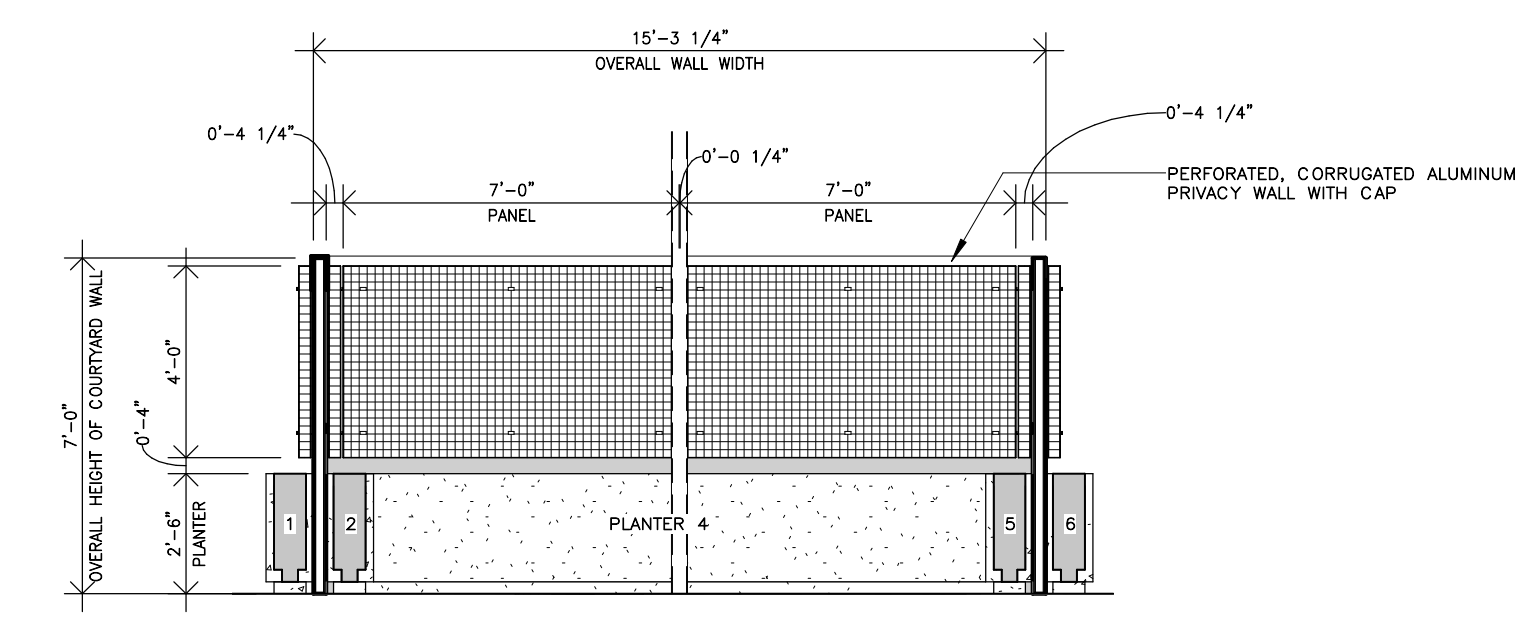
5 GREEN SCREEN AND PLANTER
 SCALE: 1/4" = 1'-0"



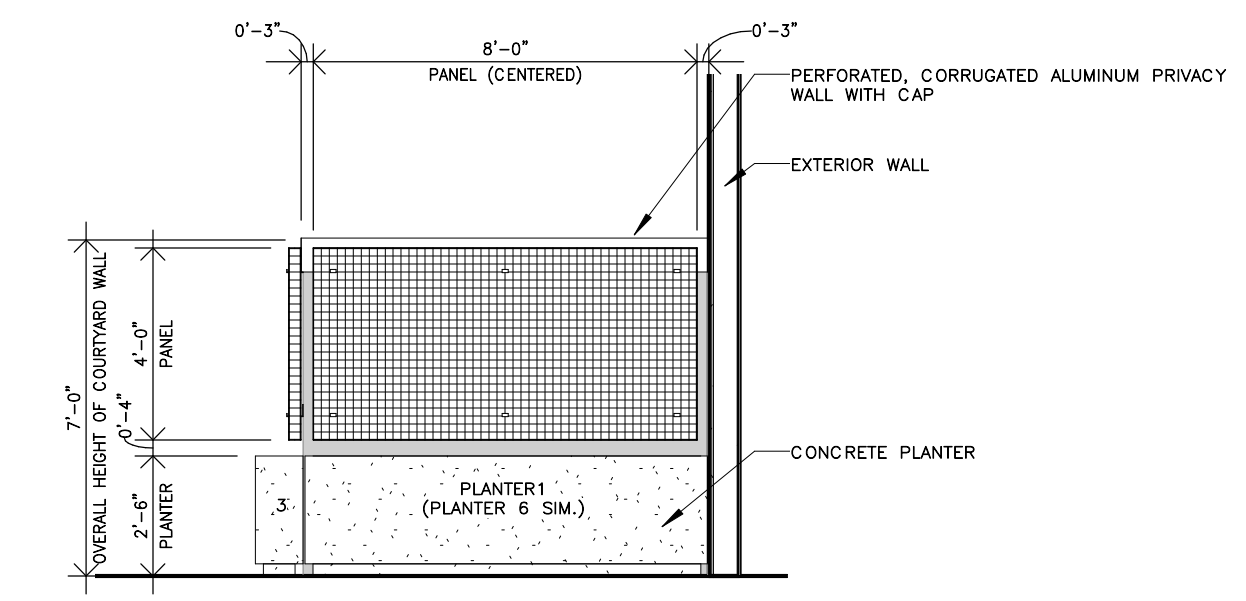
6 MOUNTING CLIP - TYP.
 SCALE: 1/4" = 1'-0"



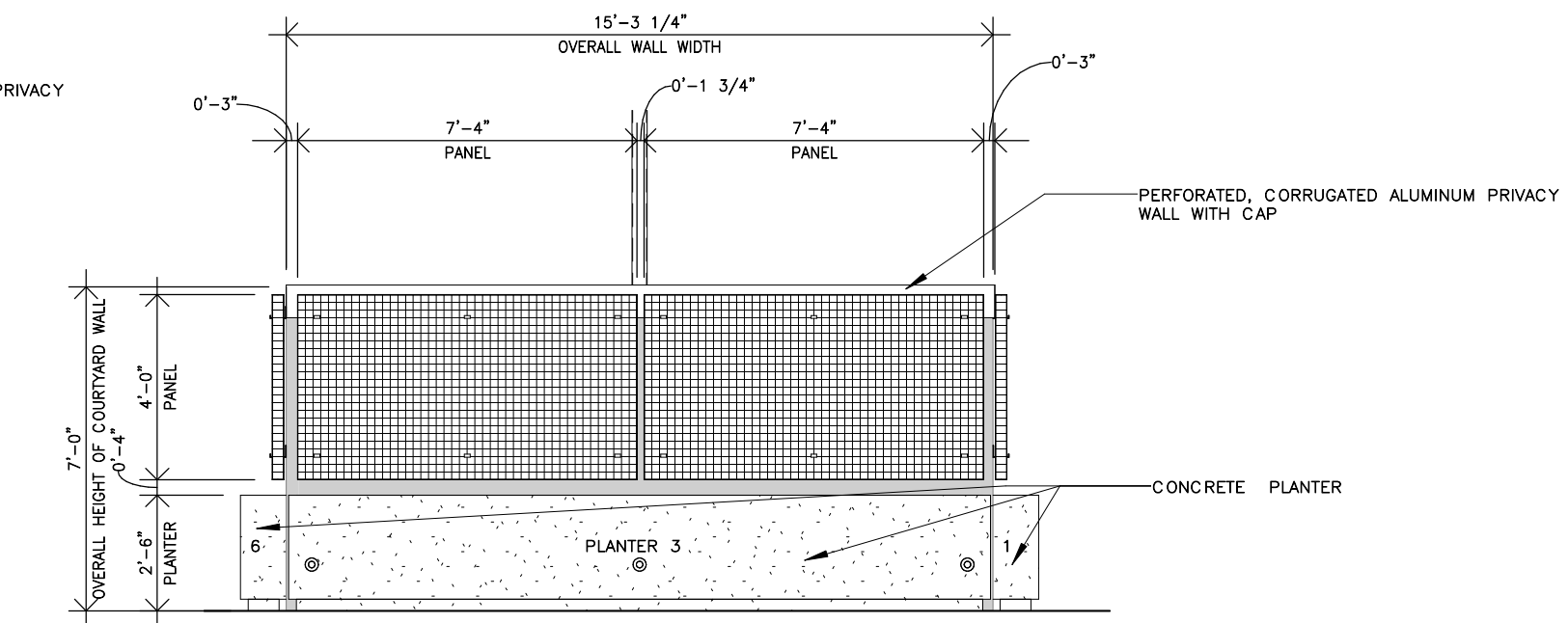
7 GREEN SCREEN AT PLANTER 2
 SCALE: 1/4" = 1'-0"



8 GREENSCREEN AT PLANTER 4
 SCALE: 1/4" = 1'-0"



9 GREEN SCREEN AT PLANTER 1
 SCALE: 1/4" = 1'-0"



10 GREEN SCREEN AT PLANTER 3
 SCALE: 1/4" = 1'-0"