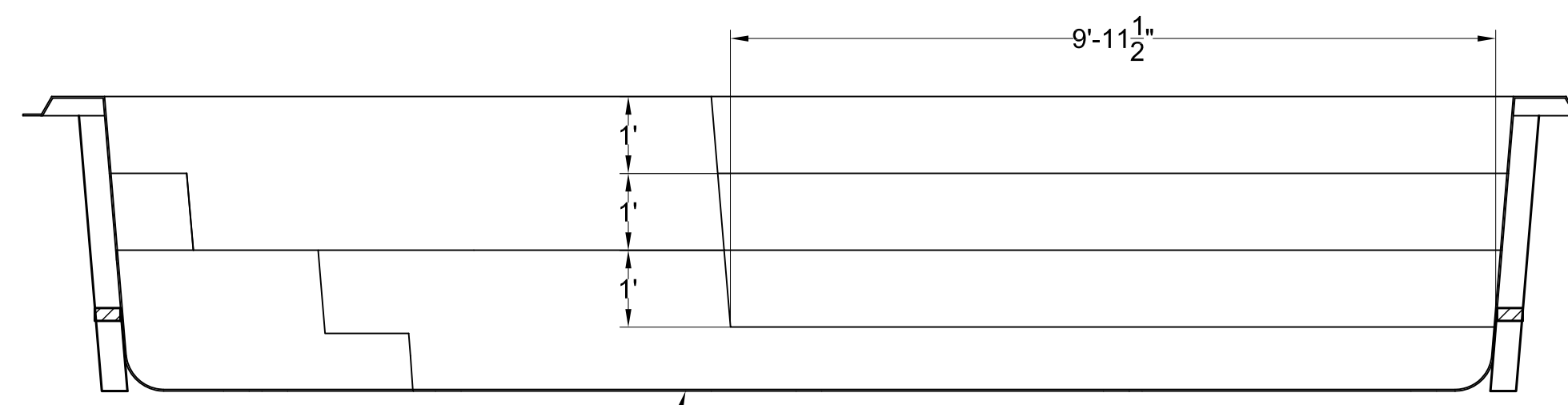
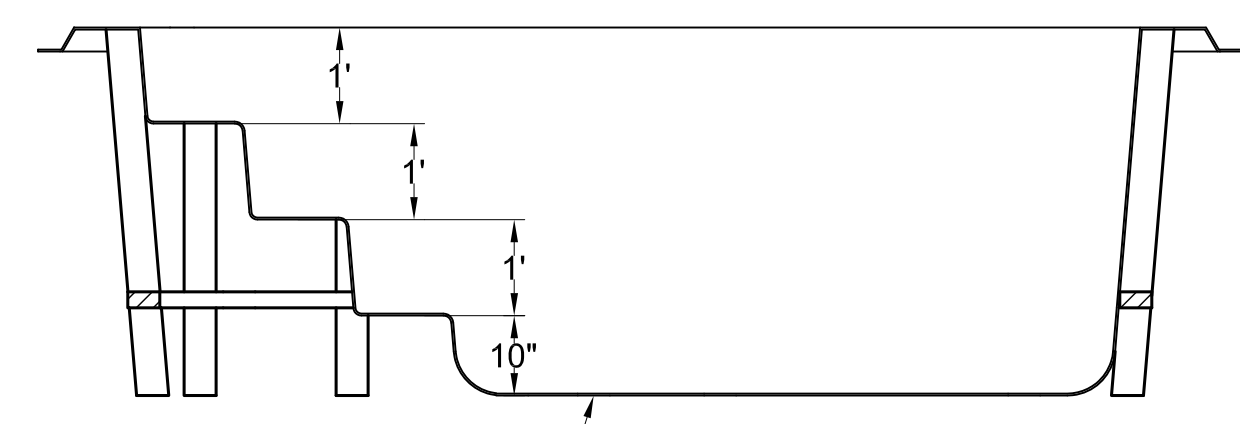


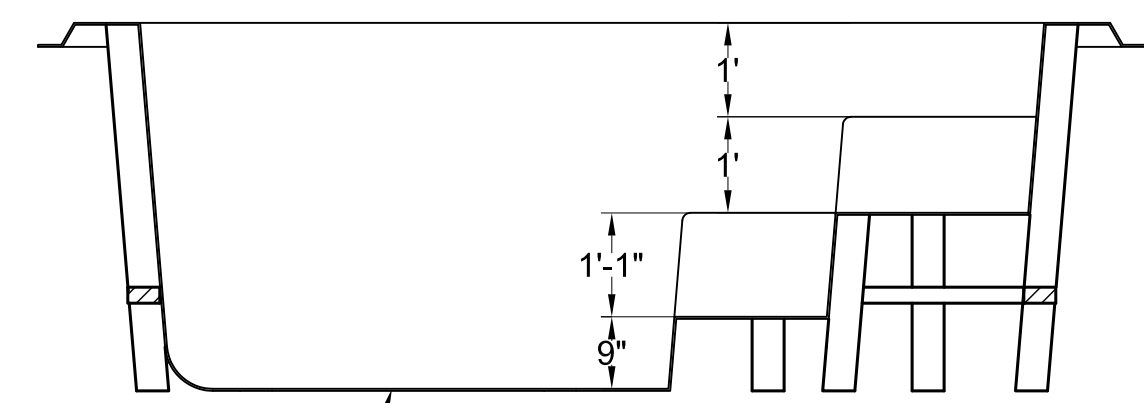
PLAN VIEW



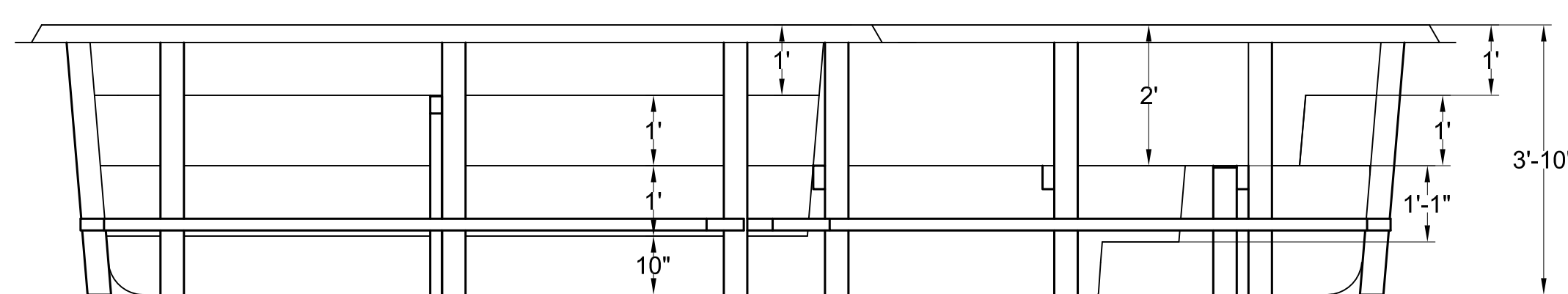
SECTION A-A



SECTION B-B

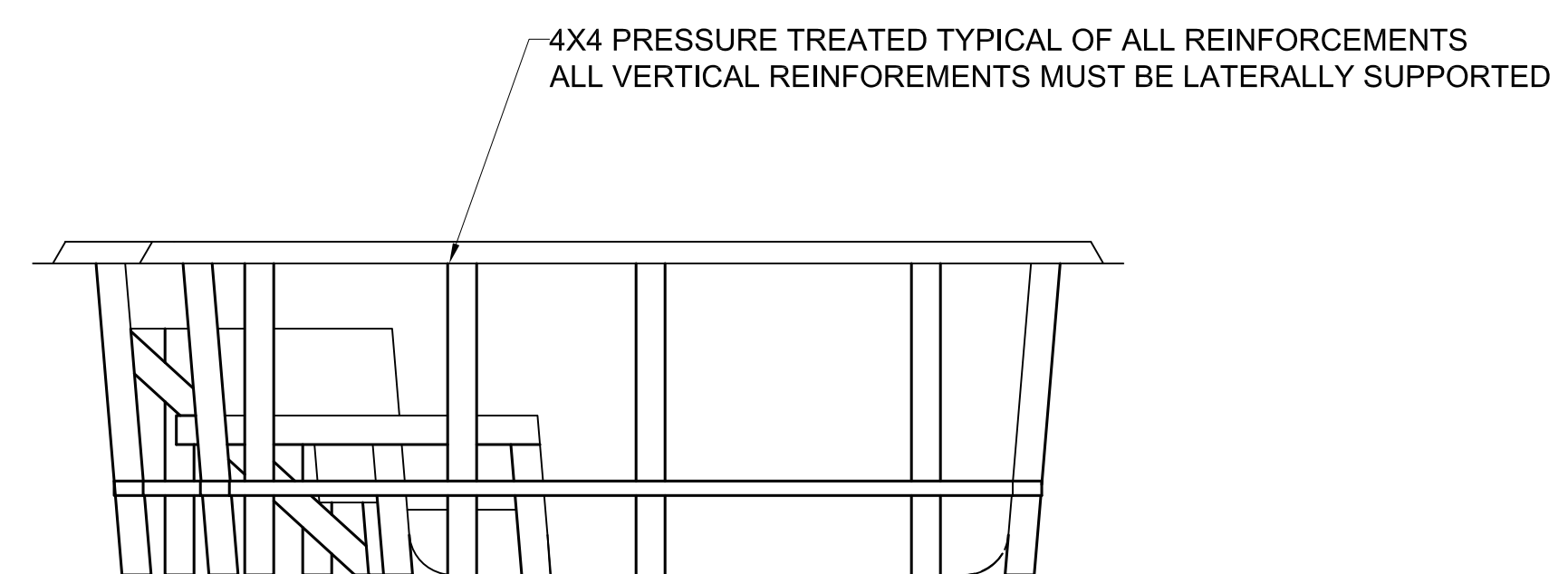


SECTION C-C



ELEVATION FRONT

FLOOR MUST BE FULLY SUPPORTED FOR LIVE LOAD BASED ON WEIGHT OF WATER
 REINFORCEMENT POSITIONING IS APPROXIMATE WITHIN 4"
 ALL VERTICAL REINFORCEMENTS TO BE FULLY SUPPORTED
 FOR LATERAL AND VERTICAL LOADS



ELEVATION RIGHT SIDE

REV	DESCRIPTION	DATE	APRV
AECC/SAN JUAN POOLS			
<small>BY: AMERICAN ENVIRONMENTAL CONTAINER CORP. 2302 LASSO LANE LAKELAND, FLORIDA 33801 (863) 666-3020</small>			
<i>Date</i>	<i>Checked By</i>	<i>Job No.</i>	
01-05-17	KLB		
<i>Title</i>	SCOTTSDALE 01		<i>Sheet</i> 1 of 1