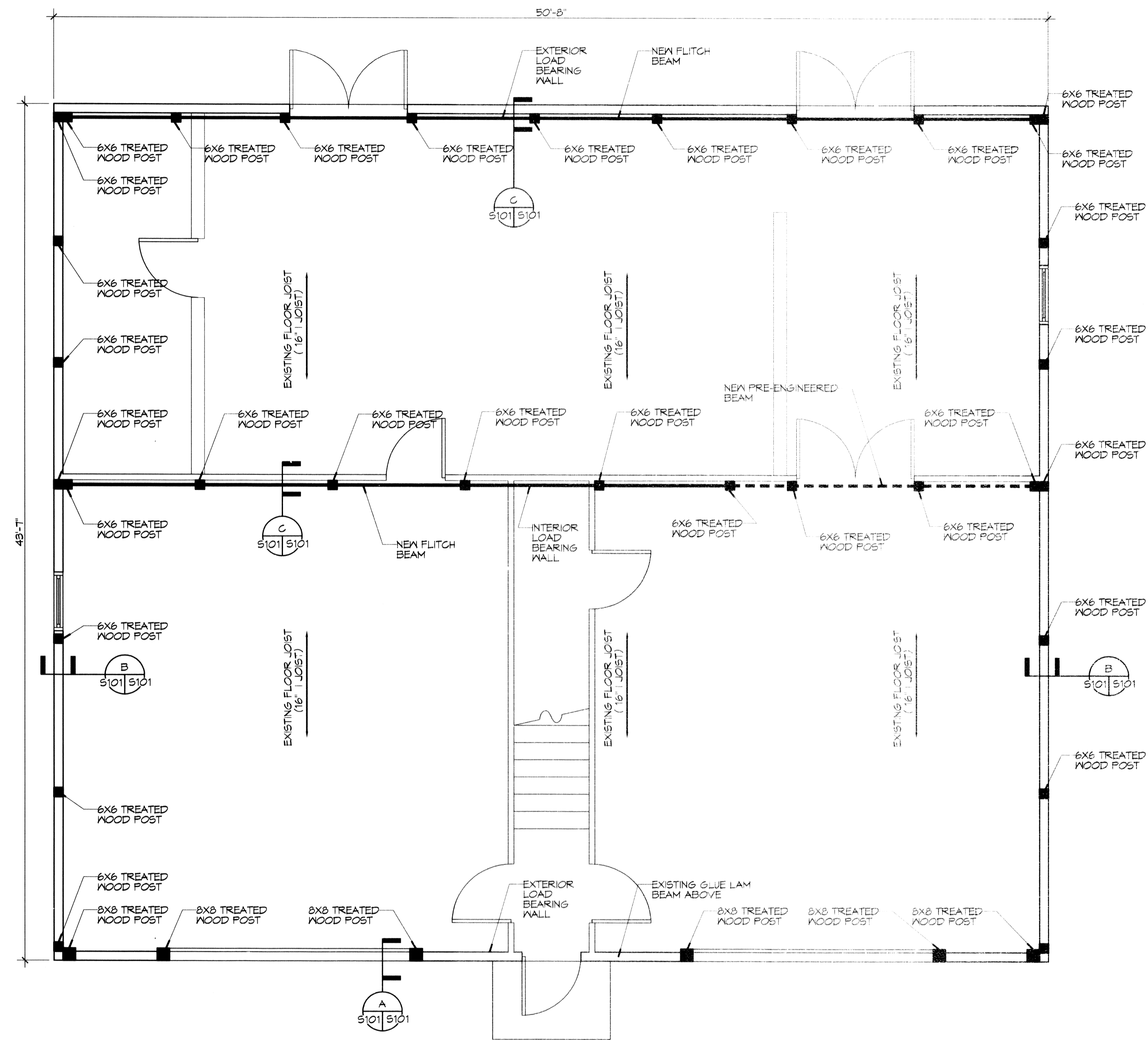
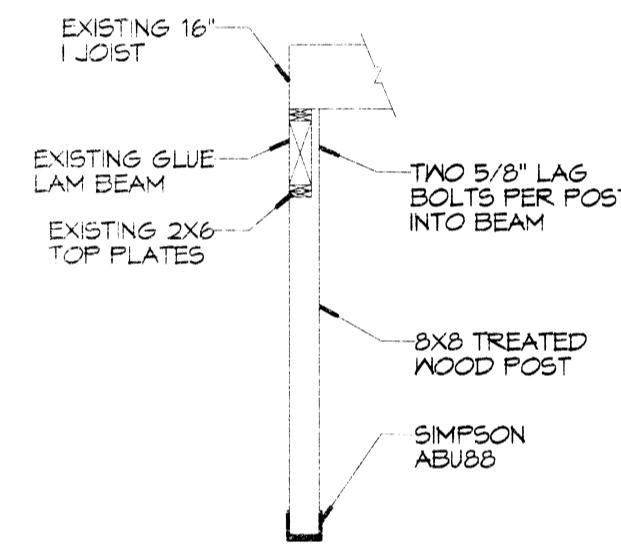


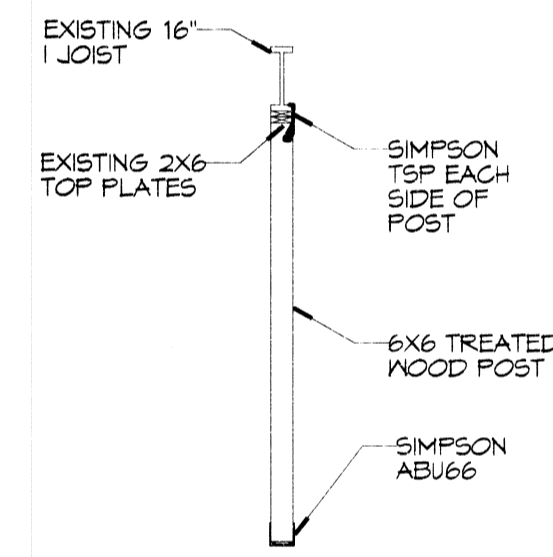
P.L. NAME: J.V. RESIDUAL/3030 Corridor, Zone, Room, Date, Project, Date, A, B, C, Section, Section, 08, 2015, 4:40:08



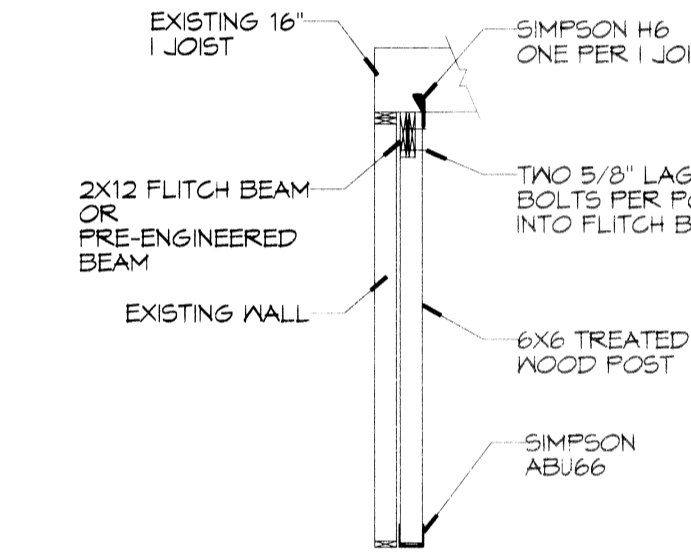
1 RETROFIT FOR GROUND FLOOR
 SCALE: 1/4" = 1'-0"



A SECTION
 SCALE: 1/4" = 1'-0"



B SECTION
 SCALE: 1/4" = 1'-0"

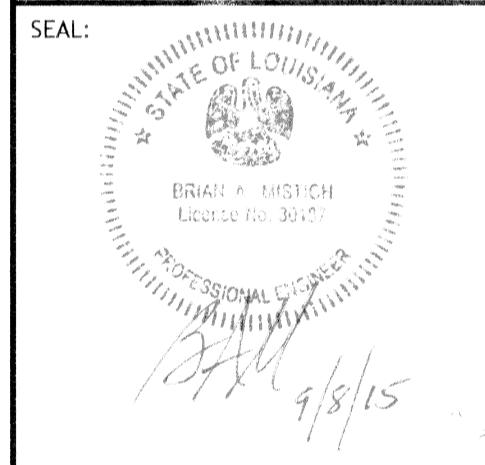


C SECTION
 SCALE: 1/4" = 1'-0"

DAMMON
 ENGINEERING, INC.

www.dammonengineering.com
 info@dammonengineering.com
 554 Old Spanish Trail
 Slidell, LA 70458
 PH: 985.649.5832
 Fax: 985.641.5950

REVISIONS	DATE



RESIDENCE
REFERENCE
DEYER

JOB No: 09-08-15
 DATE: 2015
 DRAWN BY: CKD
 CHECKED BY: BAW

SHEET TITLE:
 RETROFIT
 GROUND FLOOR

DRAWING NUMBER:
S101

SHEET No: _____ of # _____