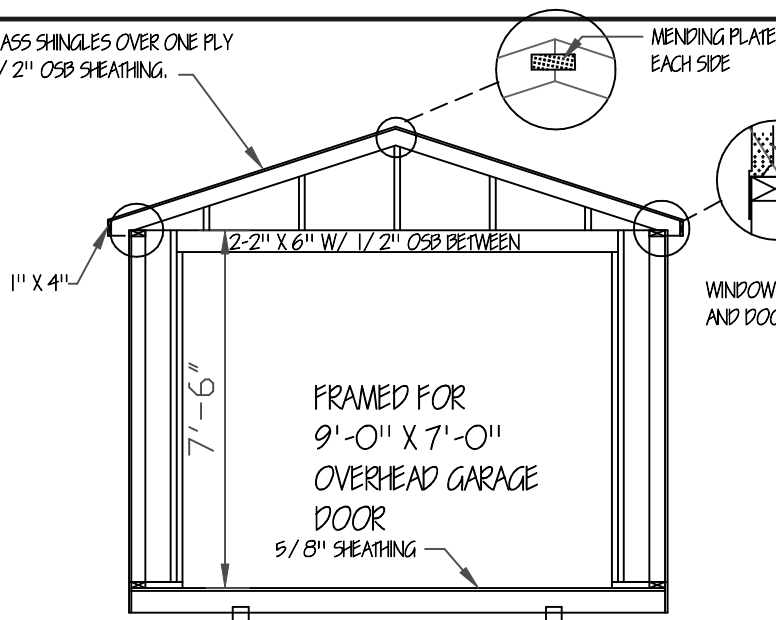


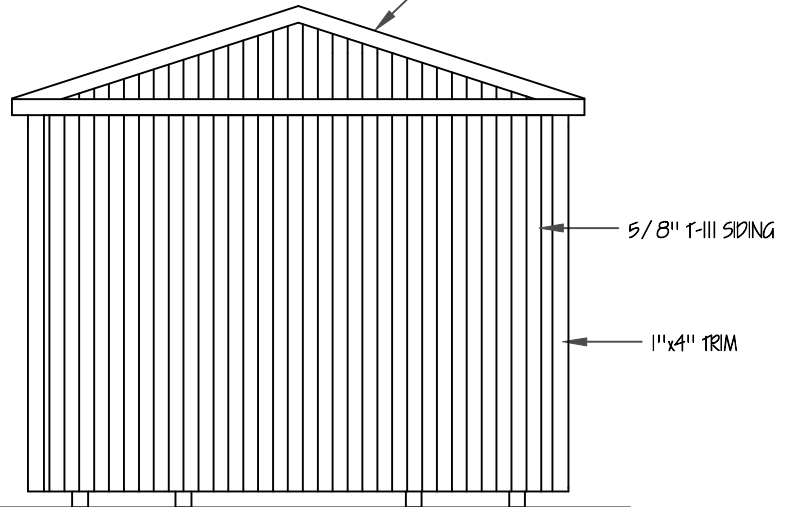
30 YEAR FIBERGLASS SHINGLES OVER ONE PLY 15# FELT OVER 1/2" OSB SHEATHING.



OPTIONAL METAL ROOFING
 OPTIONAL METAL ROOFING SHALL BE 29 GAGE OVER ONE PLY 15# FELT OVER 1/2" OSB SHEATHING WITH 29 GAGE RIDGE CAP, EAVE TRIM AND RAKE TRIM. SCREEN CLOSURE OVER RIDGE OPENING.

30 YEAR FIBERGLASS SHINGLES OVER ONE PLY 15# FELT OVER 1/2" OSB SHEATHING.

WINDOW HEADERS SHALL BE 2 - 2" X 4" WIDTH VERTICAL AND DOORS 2 - 2" X 6" WIDTH VERTICAL.

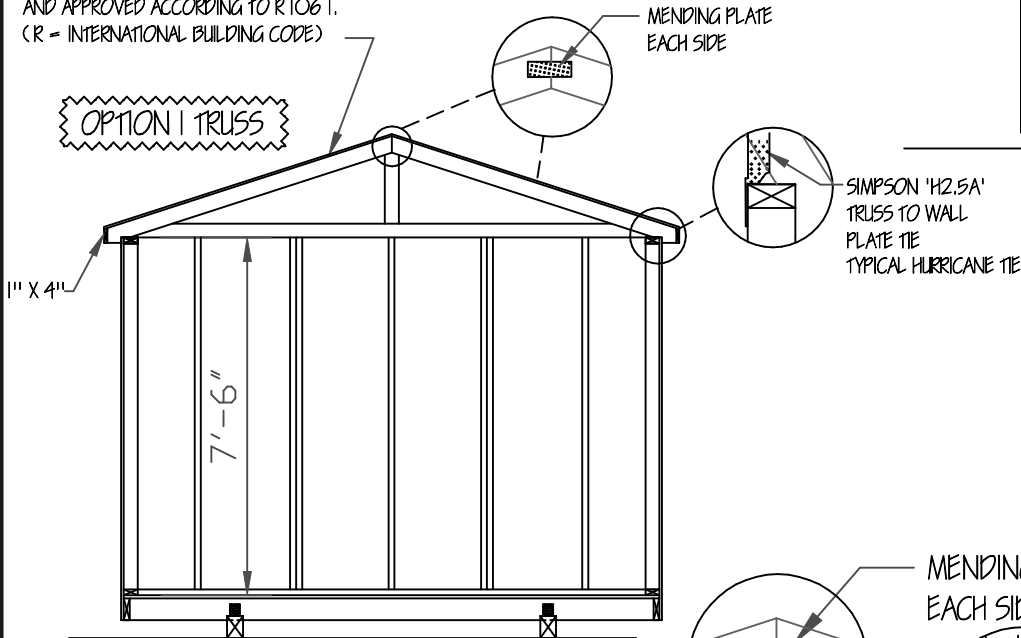


Rear

NOTES:
 WOOD TRUSSES SHALL COMPLY WITH R 502.11 AND DESIGN SHALL COMPLY WITH ANSI/ TPI 1 AND APPROVED ACCORDING TO R 106 1. (R = INTERNATIONAL BUILDING CODE)

Section -- A

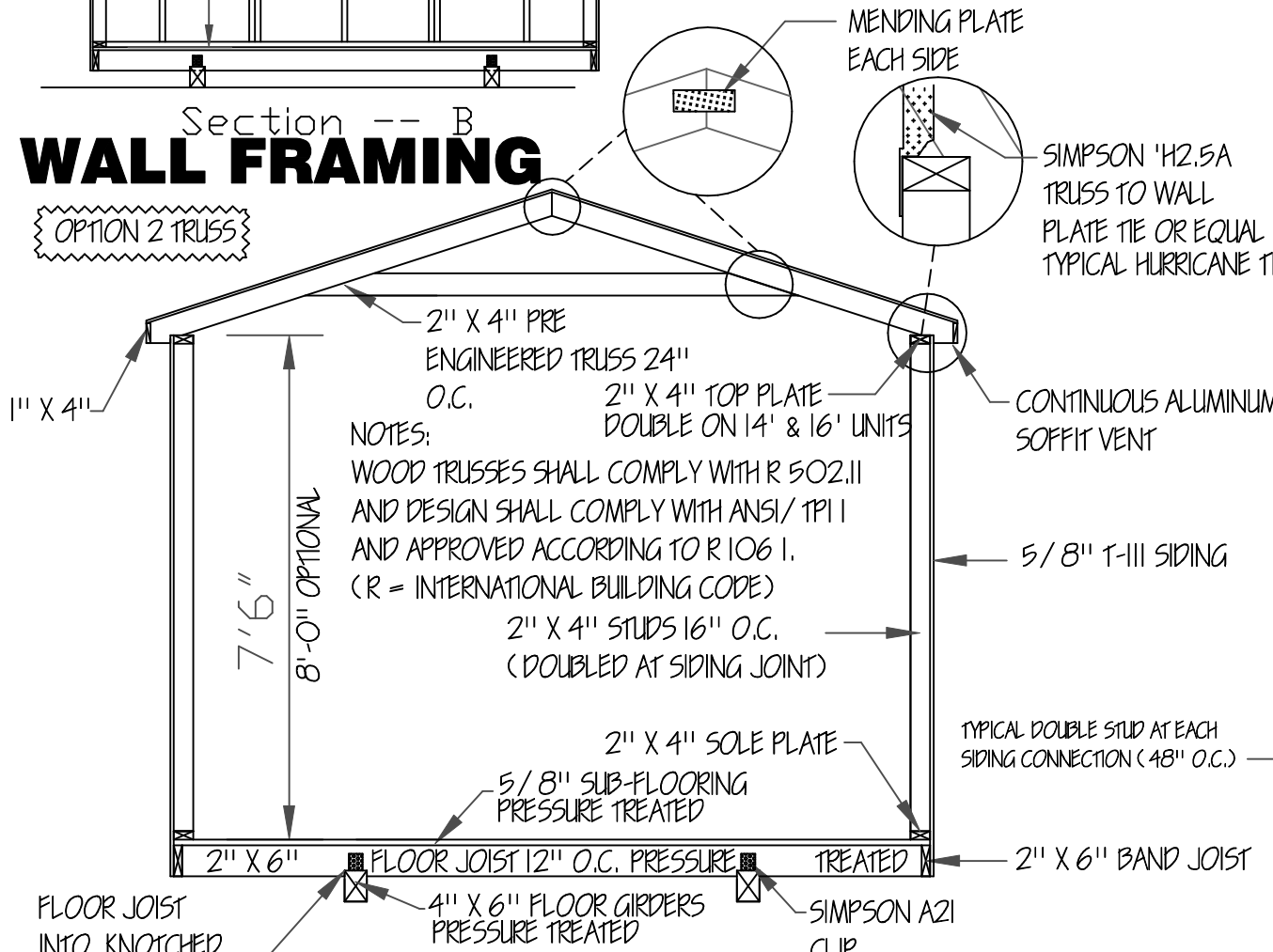
OPTION 1 TRUSS



Section -- B
WALL FRAMING

OPTION 2 TRUSS

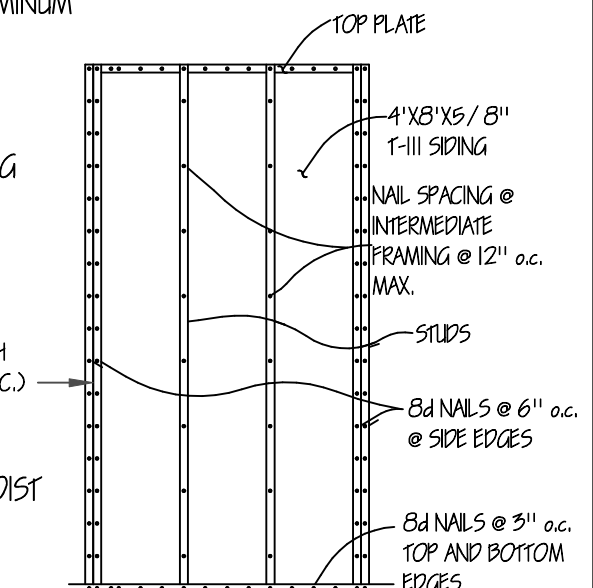
ROOF SHEATHING
 TRUSSES 16" O.C. 1/2" OSB
 TRUSSES 24" O.C. 5/8" OSB
ROOF VENT
 ALUMINUM RIDGE CAP W/ SCREEN
 METAL: 26 GAGE RIDGE CAP W/ SCREEN BELOW
 FASTENERS SHALL COMPLY WITH TABLE R602.3(1) AND SHALL BE GALVANIZED RING SHANK.



Typical Section

3/16" = 1'-0"

NOTES:
 WOOD TRUSSES SHALL COMPLY WITH R 502.11 AND DESIGN SHALL COMPLY WITH ANSI/ TPI 1 AND APPROVED ACCORDING TO R 106 1. (R = INTERNATIONAL BUILDING CODE)



PLYWOOD SHEATHING PANELS SHALL OVERLAP THE TOP MEMBER AND THE BOTTOM PLATE BY 1/2" AND A SINGLE ROW OF FASTENERS SHALL BE PLACED 3/4" FROM PANEL EDGE.
WALL SHEATHING ATTACHMENT

NTS

ENGINEERS' NOTES:

1. FOUNDATIONS PIERS, TIE-DOWNS AND ANCHORS SHALL MEET THE REQUIREMENTS OF THE "PERMANENT FOUNDATIONS GUIDE OF MANUFACTURED HOUSING" AS PUBLISHED BY HUD IN SEPTEMBER 1996, AND THE HUD HANDBOOK 4145.1 REV. 2.
2. NO FIELD SUPERVISION PROVIDED UNDER THIS SEAL.
3. NO ADMINISTRATION PROVIDED UNDER THIS SEAL.

PORTABLE GARAGE

MISSISSIPPI-LOUISIANA

DAMMON ENGINEERING
 1095 FLORIDA AVE.
 SLIDELL, LOUISIANA

985 - 649 - 5832



doug's
 plan
 Service

4210 Stewart Lane
 Perkinston, MS 39573
 228/255-5259

GRACELAND PROPERTIES LLC
 P.O. BOX 665
 CUNNINGHAM, KY 42035
 601 - 799 - 4545

Copyright (C) 2008 by Graceland Properties LLC
 All Rights Reserved, including the rights of reproduction in whole or in part in any form.