

- TOILETS:**  
 KOHLER : 46051 FOR ADA TOILET W/FLUSH VALVE  
 KOHLER : 46053 FOR NON ADA TOILET W/FLUSH VALVE
- SINKS:**  
 KOHLER : K-2030-0 ADA WITH LEVER HANDLE
- URINALS :** K-5016-ET-0 WALL MOUNTED W/FLUSH VALVE
- PLUS ALL ACCESSORIES FOR A COMPLETE INSTALLATION.**  
**FIELD VERIFY PRIOR TO ORDERING.**

**ACCESSIBILITY NOTES**

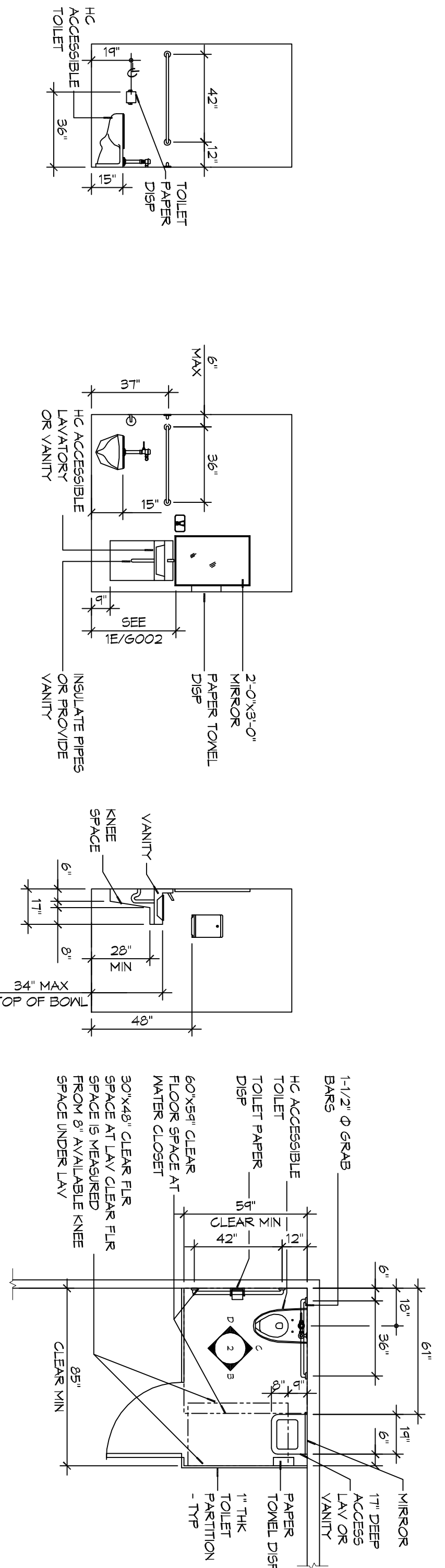
DOOR CLEARANCE NOTES  
 ALL DOORS SHALL COMPLY WITH THE CLEARANCES FOR FRONT APPROACHES  
 DOOR HARDWARE SHALL BE LEVER TYPE  
 MAX DOOR OPENING FORCE: 5 LBF  
 INTERIOR HINGED DOORS: 5.5 LBF  
 SLIDING OR FOLDING DOORS: 5 LBF

HARDWARE REQUIRED FOR ACCESSIBLE DOOR PASSAGE SHALL BE MOUNTED NO HIGHER THAN 48" AND NOT LESS THAN 54" ABOVE FINISHED FLOOR OR GROUND AREA WITHIN THE REQUIRED CLEARANCES SHALL BE LEVEL AND CLEAR.

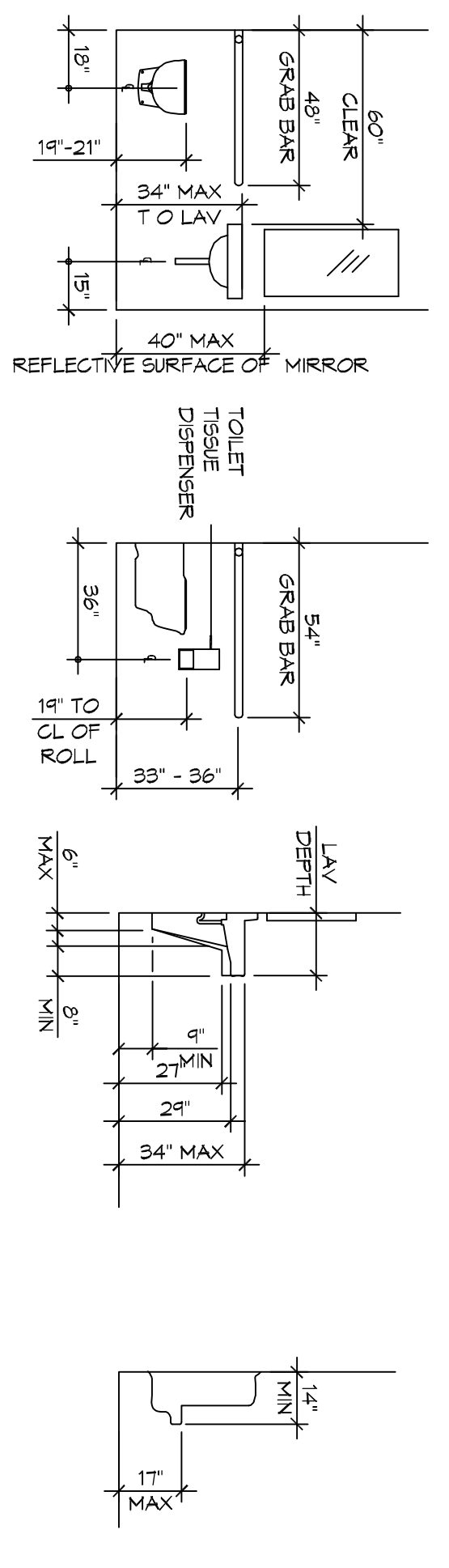
DOORWAYS SHALL HAVE A MINIMUM CLEAR OPENING OF 32" WITH THE DOOR OPEN 90° MEASURED BETWEEN THE FACE OF THE DOOR AND THE OPPOSITE STOP OPENINGS MORE THAN 24" IN DEPTH SHALL MAINTAIN 32" MIN CLEARANCE

**1 MEN'S RESTROOM**  
 SCALE: 1/2" = 1'-0"

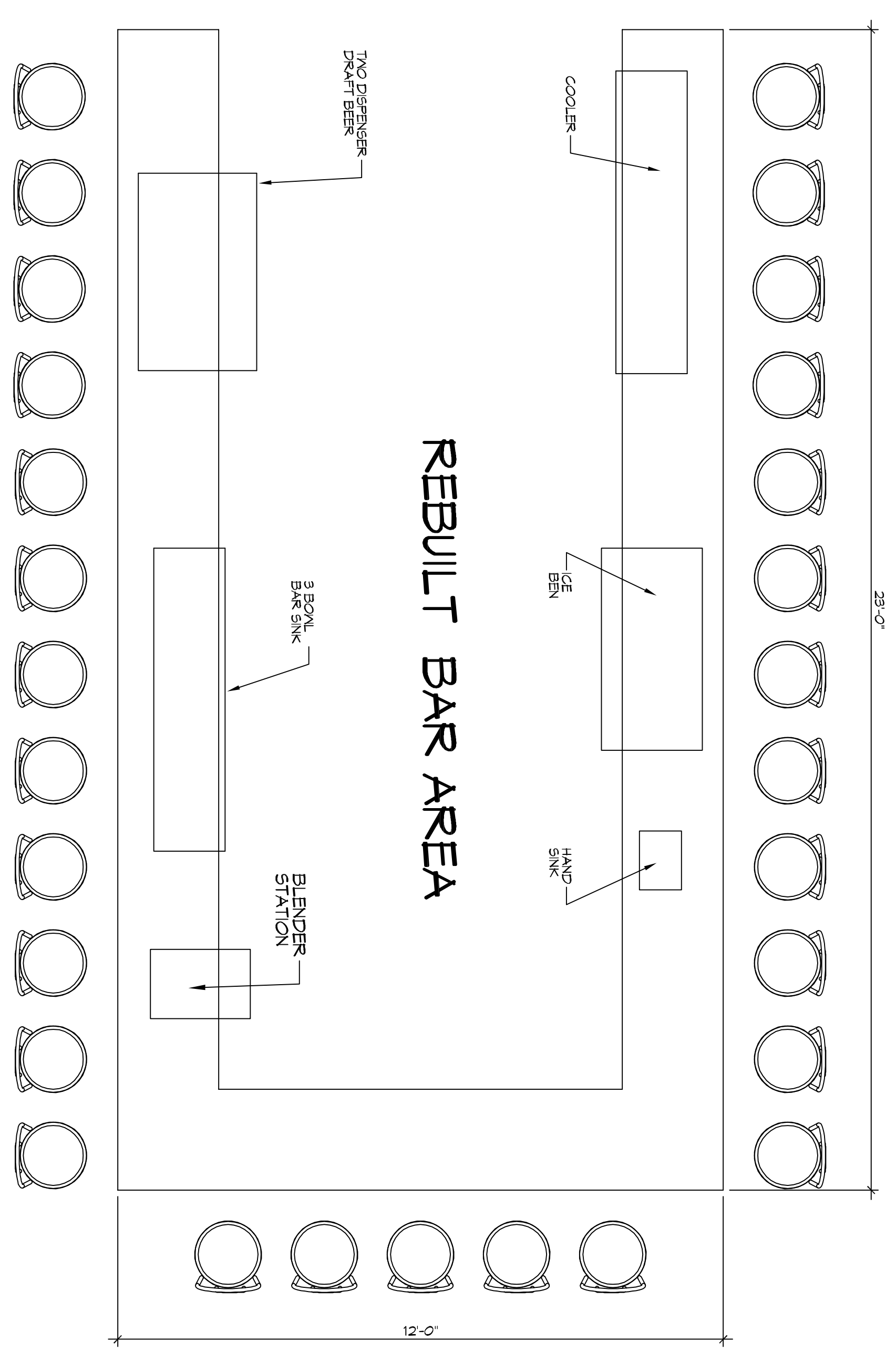
**2 WOMEN'S RESTROOM**  
 SCALE: 1/2" = 1'-0"



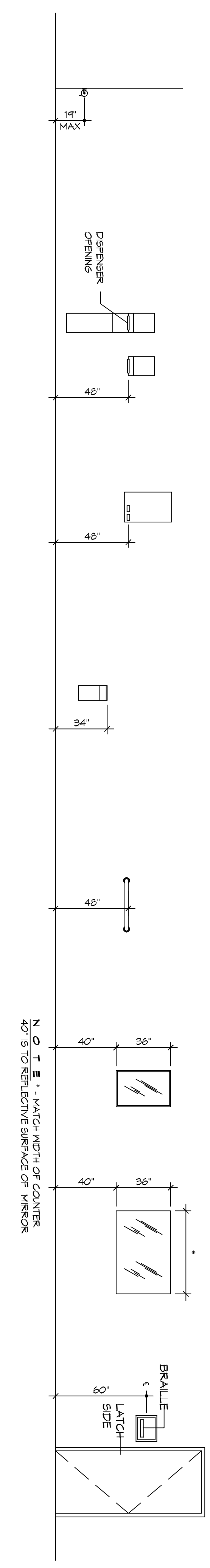
**2 RESTROOM CLEARANCES**  
 SCALE: 1/4" = 1'-0"



**2 NEW BAR LAYOUT**  
 SCALE: 1/2" = 1'-0"



**REBUILT BAR AREA**



- MOUNTING HEIGHTS**  
 SCALE: 1/4" = 1'-0"
- (K) TOILET
  - (J) TOILET
  - (I) TOILET
  - (H) URINAL
  - (M) TOILET PAPER DISP
  - (T) TOWEL DISPENSER
  - (S) TAP/PCN VENDOR
  - (R) SANITARY NAPKIN
  - (G) TOWEL BAR
  - (E) MIRRORS
  - (D) SIGNAGE

**RENOVATION OF ADA RESTROOMS AND BAR**

**OSIATA SUBS**

742 I-10 SERVICE ROAD  
 SLIDELL, LA 70461

JOB No: 2330 DATE: 12-01-17  
 DRAWN BY: CKD CHECKED BY: JMS

**6100**

1 of 11

| REVISIONS |             | DATE |
|-----------|-------------|------|
| #         | DESCRIPTION |      |
|           |             |      |
|           |             |      |
|           |             |      |
|           |             |      |
|           |             |      |
|           |             |      |
|           |             |      |
|           |             |      |
|           |             |      |

**DAMMON ENGINEERING, INC.**  
 LOUISIANA & MISSISSIPPI

Chief Engineer: Brian Mstich, PE  
 554 Old Spanish Trail  
 Slidell, LA 70458

www.dammonengineering.com  
 info@dammonengineering.com  
 PH: 985.649.5832