

### GENERAL PLUMBING NOTES

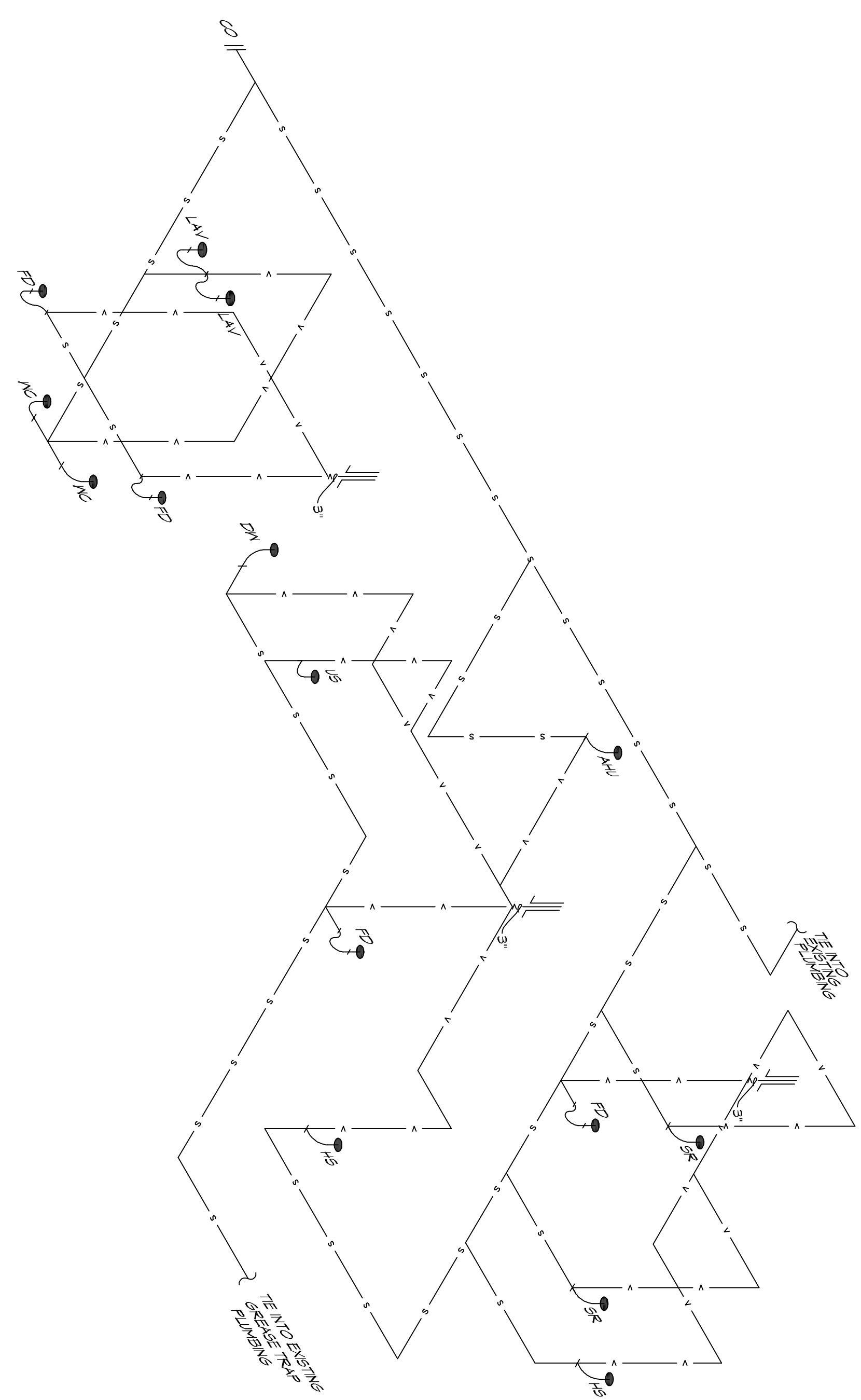
1. PLUMBING LINES SHOWN ARE DRAWN DIAGNOSTIC IN NATURE AND REPRESENT CONCEPTUAL ROUTING ONLY. CONTRACTOR IS RESPONSIBLE FOR FIELD VERIFICATION OF ALL ACTUAL CONDITIONS.
2. PROVIDE ALL LABOR, MATERIAL, TRANSPORTATION, SUPERVISION, CLEANUP SERVICES, AND EQUIPMENT FOR A COMPLETE OPERATING SYSTEM. THE SYSTEM SHALL INCLUDE HOT AND COLD WATER PIPING, SEWER AND VENT PIPING, INSULATION, WATER HEATER, HANGERS, VALVES, SUPPORTS WITHOUT ANY RESTRICTIONS TO VOLUME, CUT AND PATCH AS REQUIRED TO INSTALL FITS.
3. ALL WORK AND MATERIAL SHALL CONFORM STRICTLY TO THE LATEST LOCAL CITY, PARISH, STATE AND NATIONAL GOVERNING CODES. MUST MEET LA STATE PLUMBING CODE 2013 REQUIREMENTS.
4. CONTRACTOR IS TO FIELD VERIFY ALL EXISTING UTILITY LOCATIONS, ELEVATIONS AND SIZES PRIOR TO COMMENCING. ANY WORK CONTRACTOR SHALL PAY NECESSARY FEES FOR THE UTILITIES CONNECTIONS.
5. CONTRACTOR IS RESPONSIBLE TO VERIFY THE EXISTING INVERTS AND SET NEW INVERTS OF SEWERAGE AND DRAINAGE PIPES.
6. SEWERAGE LINES 3-INCH AND SMALLER SHALL BE SLOPED 1/4" PER FOOT AND LINES 4-INCH AND LARGER SHALL BE 1/8" PER FOOT.
7. TEST ALL PIPING AT REQUIRED PRESSURE.
8. ALL PLUMBING SHALL BE COORDINATED WITH STRUCTURAL, MECHANICAL SYSTEM AND ELECTRICAL SYSTEMS TO INSURE NO TRAVELERS WILL CONFLICT WITH EACH OTHER.
9. DO NOT SCALE DRAWINGS. SEE ARCHITECTURAL DRAWINGS FOR EXACT LOCATIONS OF DOORS, WINDOWS, WALLS, FIXTURES, ETC.
10. ALL WATER MAINS AND PIPING NOT SHOWN FOR CLARITY. ALL LOCATIONS FIELD VERIFIED.
11. DOMESTIC HOT AND COLD WATER PIPING AND FITTINGS UNDER SLABS SHALL BE A321 B36 COPPER WATER TUBE TYPE K. SOFT ANNEALED. NO JOINTS SHALL BE ALLOWED UNDER THE SLAB.
12. DOMESTIC WATER PIPING AND FITTINGS ABOVE THE SLAB SHALL BE A321 B36 COPPER WATER TUBE TYPE L. HARD DRAWN WITH COPPER PRESSURE TYPE FITTINGS. ANS B16.22 THE JOINTS SHALL BE SOLDERED TYPE USING ASTM B32 ALLOY GRADE 954 (95-5) SOLDER.
13. SOIL, WASTE, VENT PIPING AND FITTINGS ABOVE THE SLAB SHALL BE SERVICE WEIGHT CAST IRON PIPE WITH BELL AND SPIGOT ENDS AND ONE PIECE RECORDED INSERT TYPE GASKET. USE PVC SCHEDULE 40 OR ABS DWP PIPES AND FITTINGS WHERE PERMITTED BY CODE.
14. ALL WATER PIPING AND FITTINGS ABOVE THE FLOOR SHALL BE INSULATED WITH 1/2" THICK FIBERGLASS INSULATION AND JACKETS.
15. ALL ELECTRICAL, MECHANICAL AND PLUMBING ELEMENTS PENETRATING FIRE PARTITIONS SHALL BE FIRE CALKED. (PENETRATIONS THROUGH RATED CONSTRUCTION SHALL BE SEALED WITH A MATERIAL NOT AFFECTING THE PASSAGE OF FLAMES AND HOT GASES WHEN TESTED IN ACCORDANCE WITH ASTM E-814).
16. SEE ROOF PLAN FOR PLUMBING ROOF PENETRATIONS. ROOF VENT PIPES IN ATTIC AS NECESSARY.
17. ALL VENTS THROUGH ROOF (VTR) SHALL BE LOCATED A MINIMUM OF 10'-0" FROM ANY MECHANICAL OR NATURAL AIR INTAKE.

### PLUMBING ABBREVIATIONS

SR	SPEED RAIL
SN	SEWER
US	UTILITY SINK
AS	ALTO SHANK
HS	HAND SINK
LAV	LAVATORY
WC	WATER CLOSET

### LEGEND

SYMBOL	DESCRIPTION
—S—S—	SANITARY SEWER
—V—V—	VENT PIPE
->FD	FLOOR DRAIN
-I-CO	LINE CLEAN OUT
-I-MCO	WALL CLEAN OUT

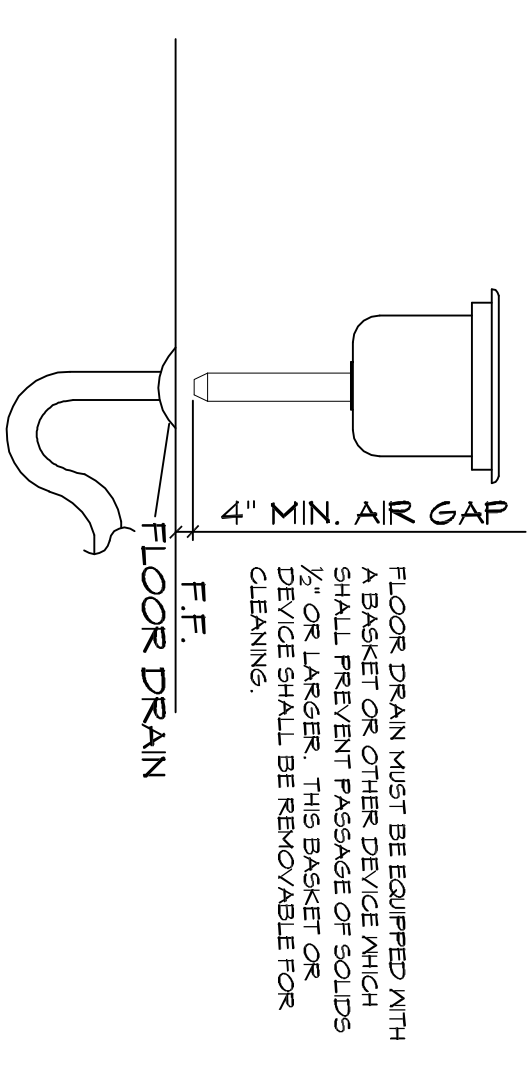


### 16 PLUMBING RISER DIAGRAM

SCALE: NTS

### 15 DETAIL

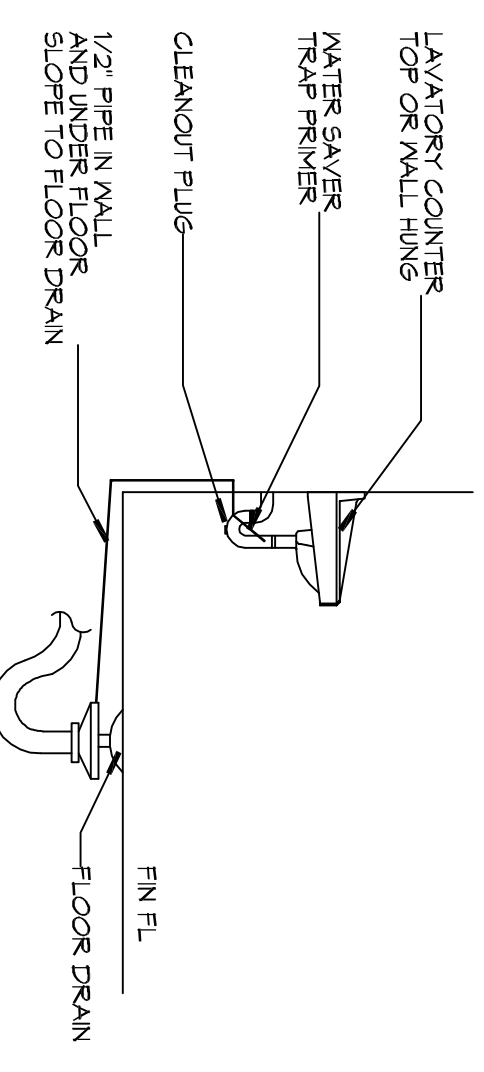
SCALE: NTS



TYPICAL FLOOR SINK

### 14 FLOOR DRAIN

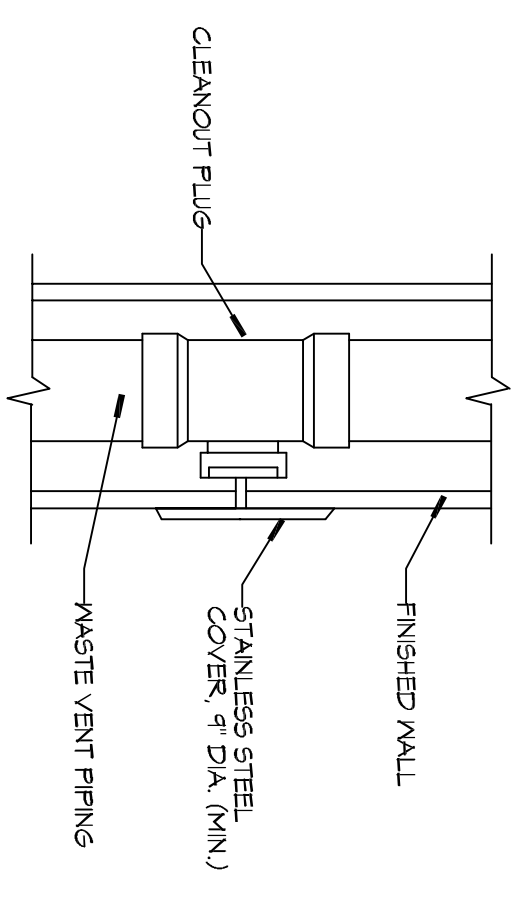
SCALE: NTS



### 14 TYPICAL DETAILS

SCALE: NTS

MISCELLANEOUS PLUMBING



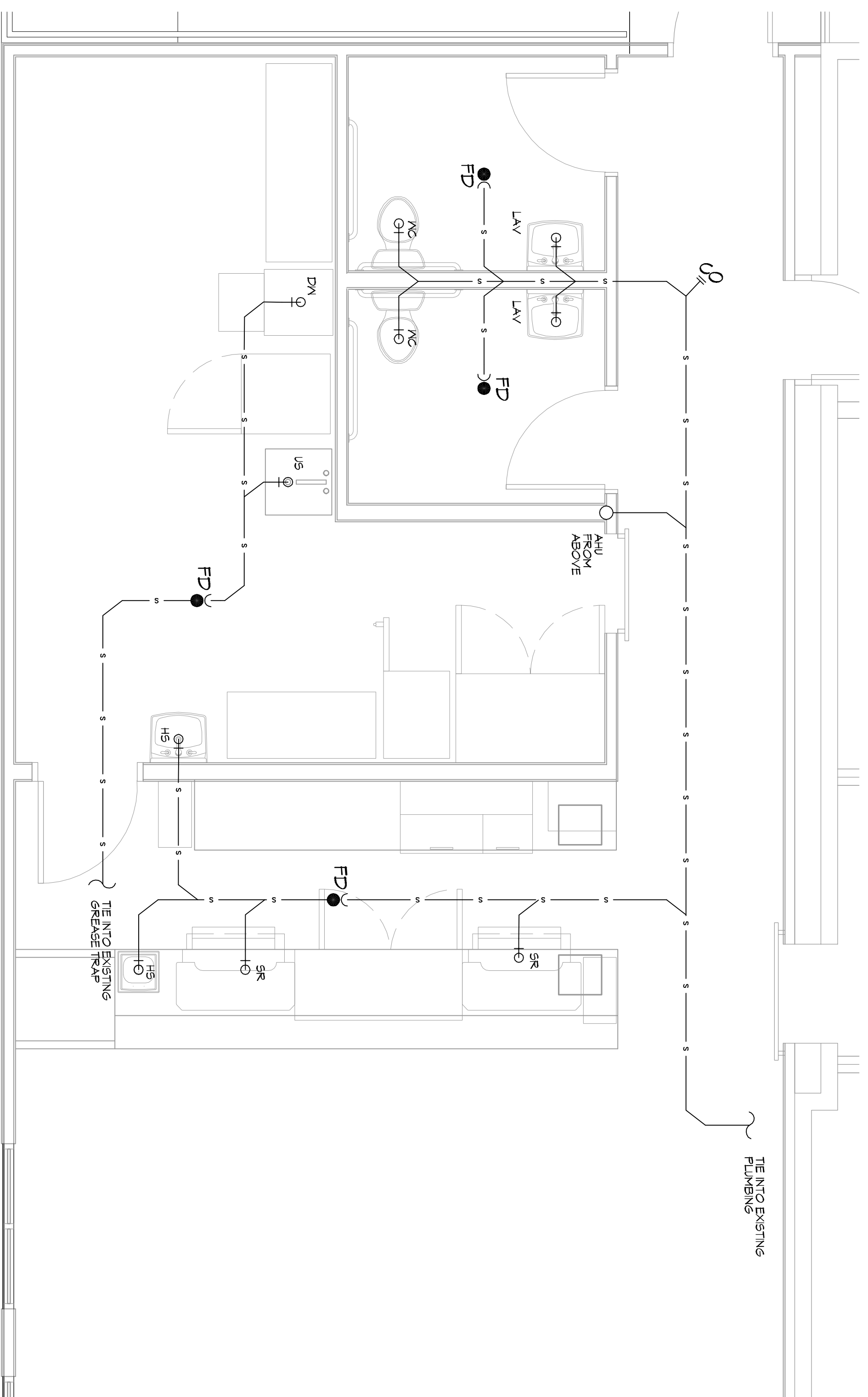
### 13 WALL CLEANOUT

SCALE: NTS

### 12 TYPICAL DETAILS

SCALE: NTS

MISCELLANEOUS PLUMBING

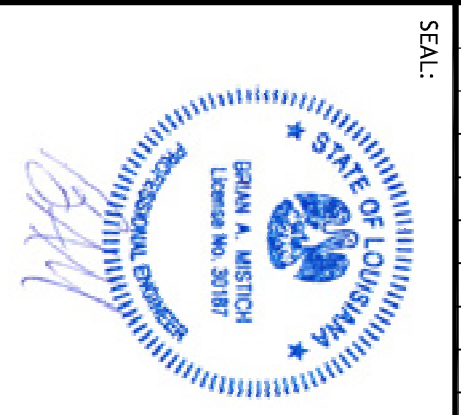


### 12 PLUMBING PLAN

SCALE: 3/8\"/>

**DAMMON ENGINEERING, INC.**  
LOUISIANA & MISSISSIPPI  
Chief Engineer: Brian Mistich, PE  
554 Old Spanish Trail  
Slidell, LA 70458  
www.dammonengineering.com  
info@dammonengineering.com  
PH: 985.649.5832

REVISIONS		DATE
#	DESCRIPTION	
1	REVISED PLUMBING DIAGRAM	11-13-15



**NEW DINING ADDITION**  
**SOUTHSIDE CAFE**  
3154 PONTCHARTRAIN DR  
SLIDELL, LA 70458  
JOB No: 2354 DATE: 01-10-2019  
DRAWN BY: JAWM CHECKED BY: [Signature]

SHEET TITLE:  
PLUMBING PLAN AND  
PLUMBING RISER DIAGRAM

DRAWING NUMBER:  
**P101**