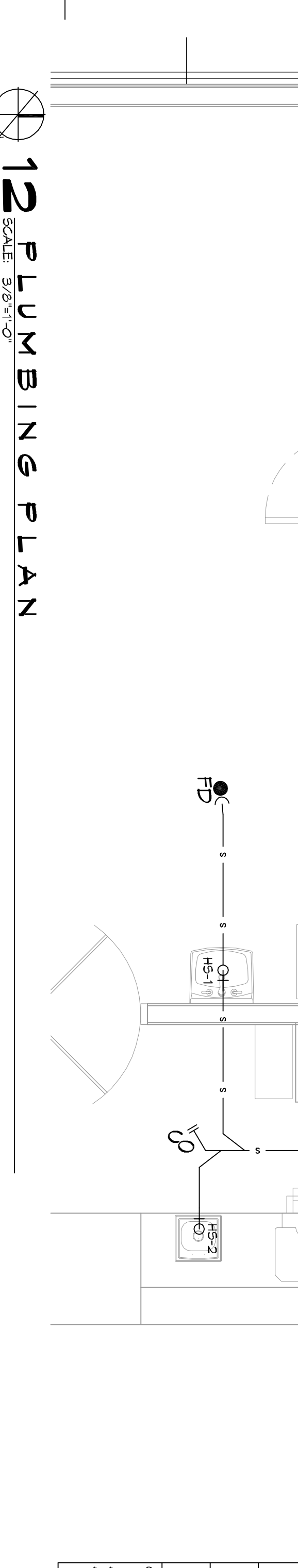
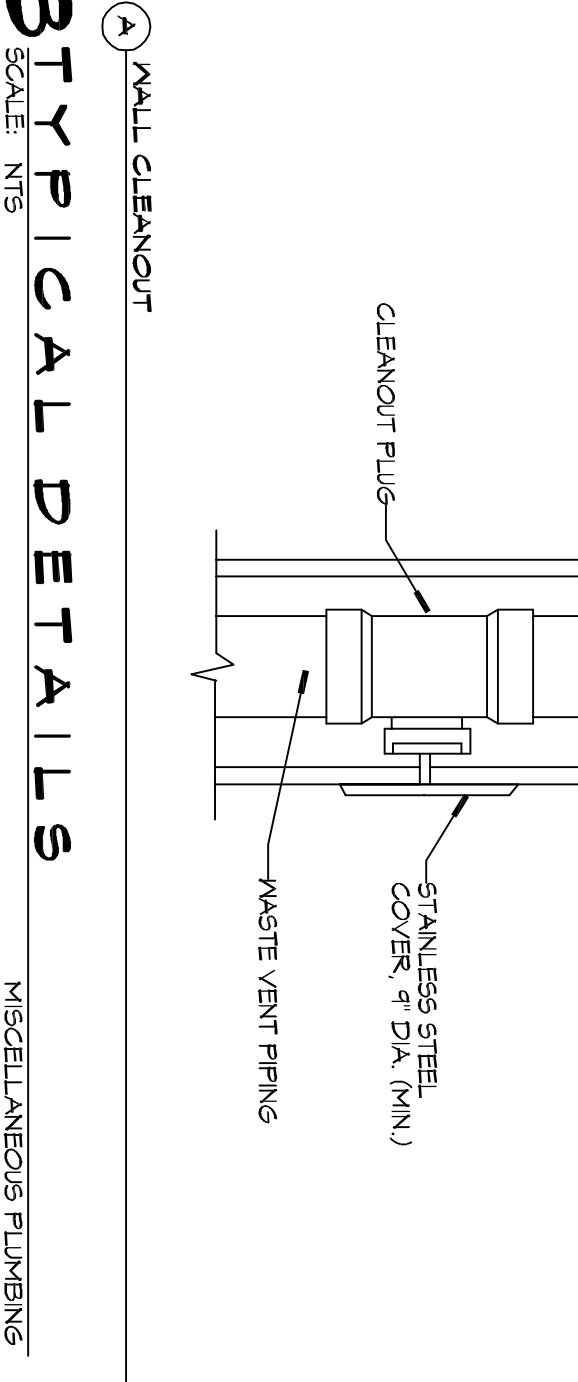
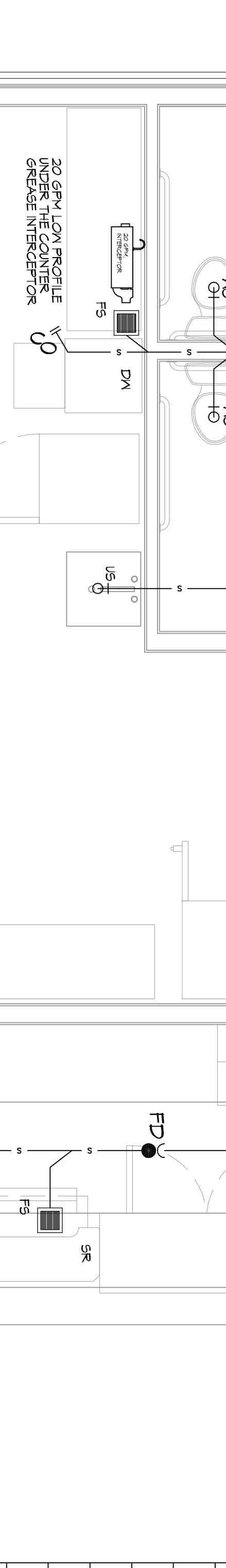
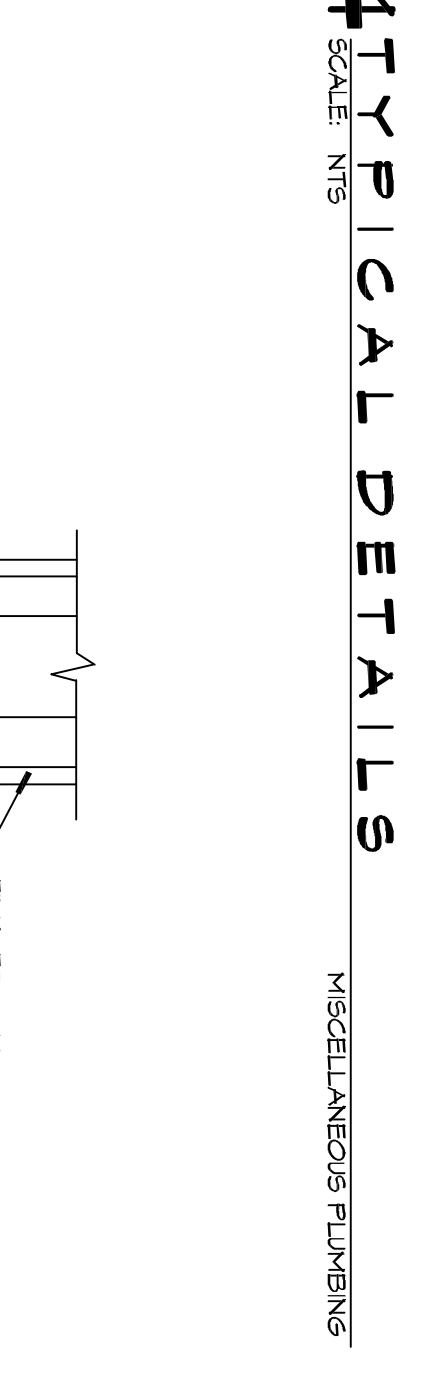
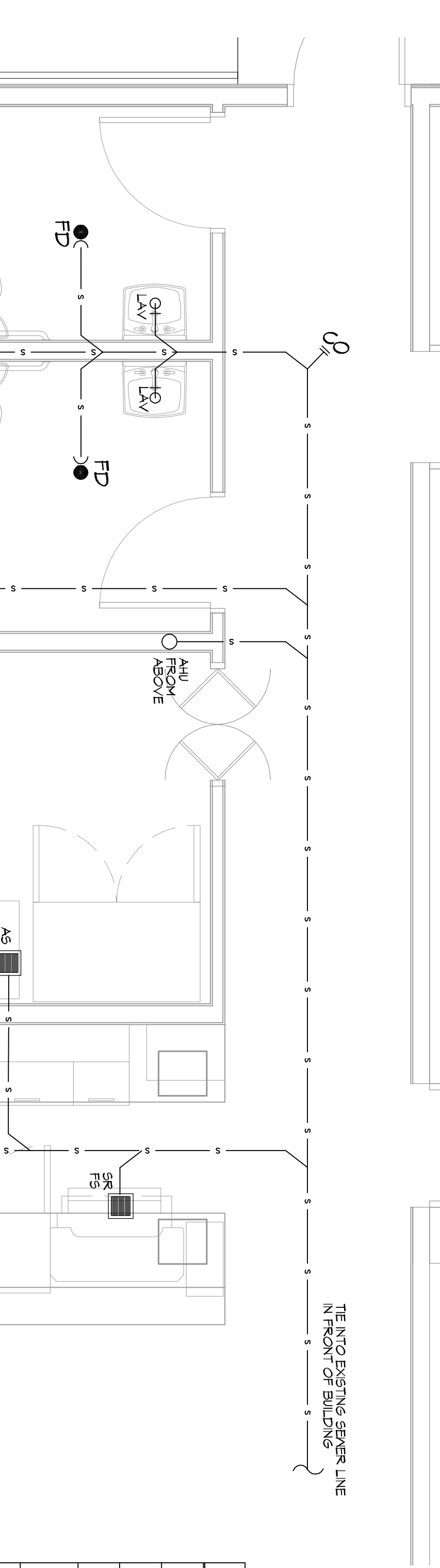
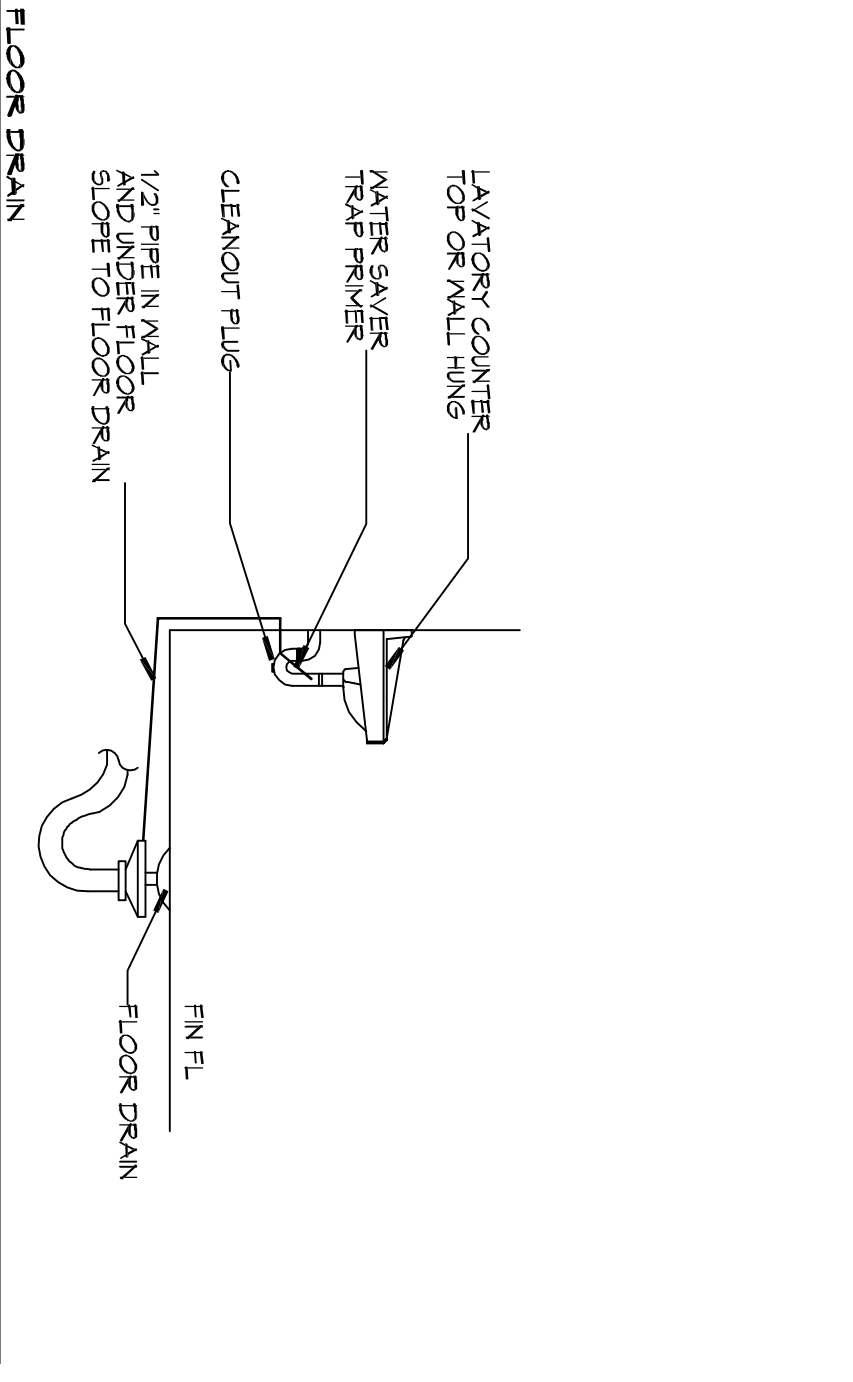
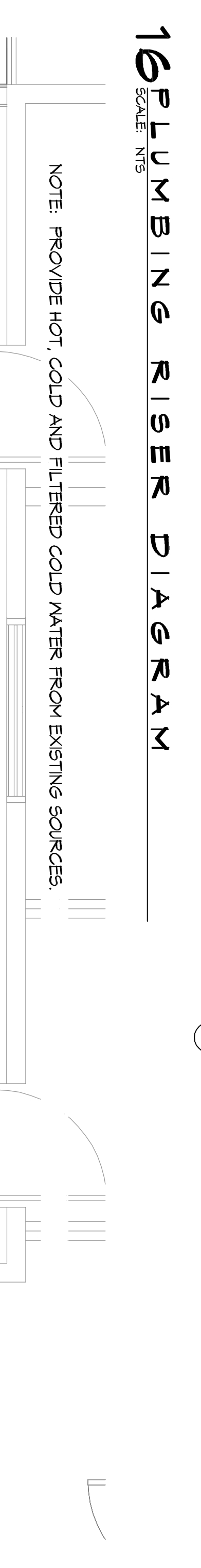
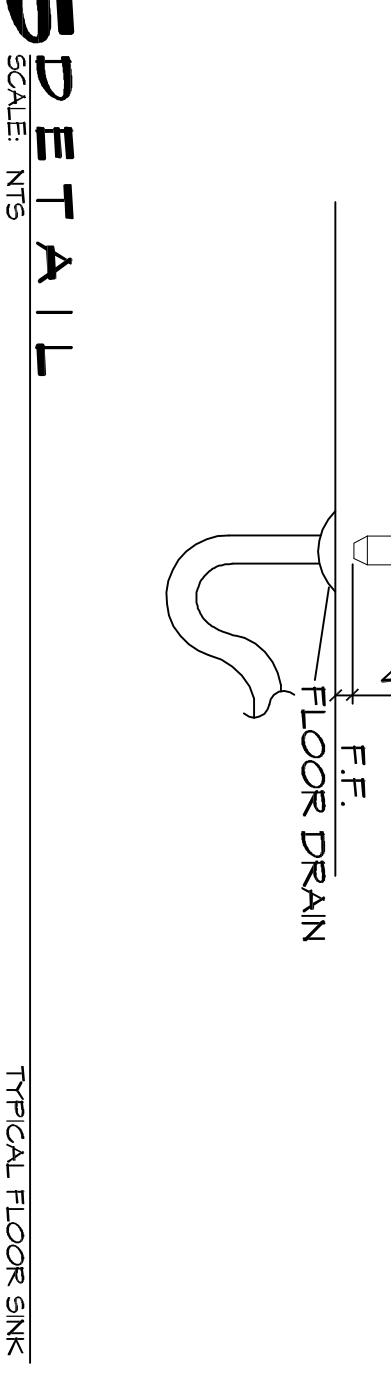
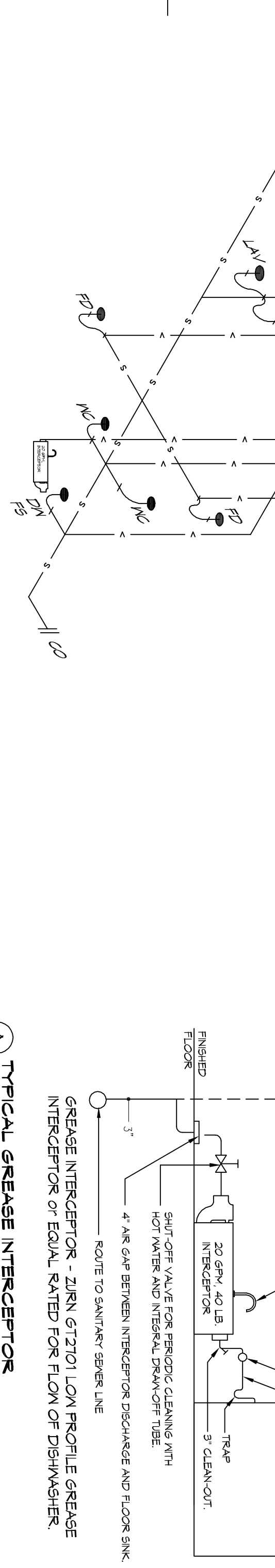
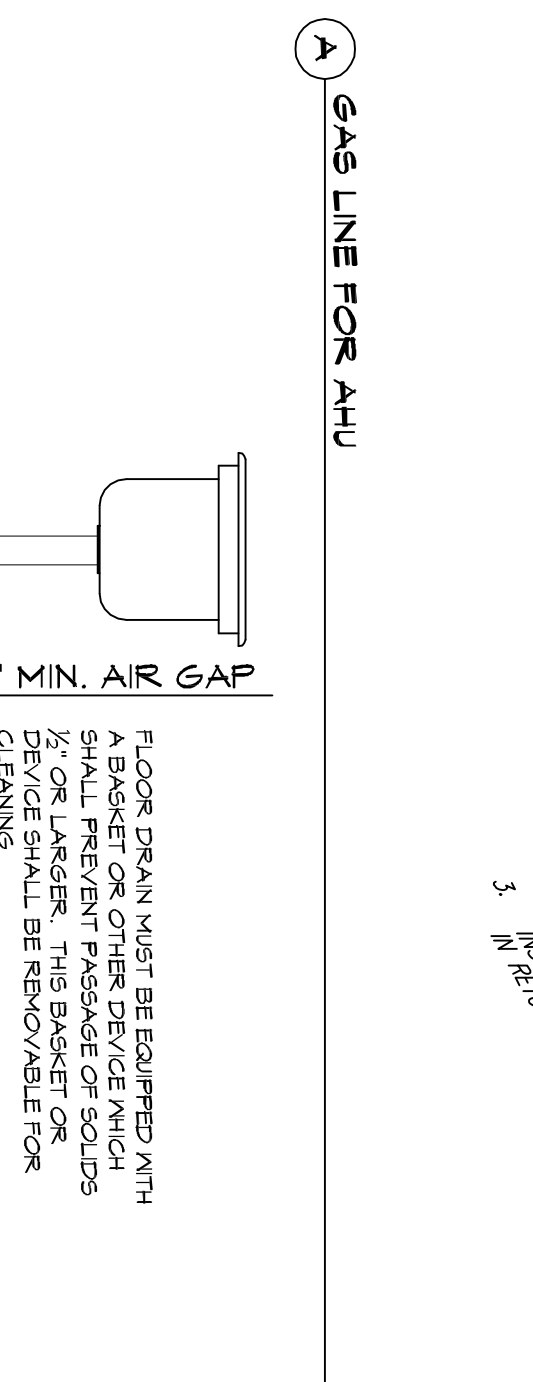
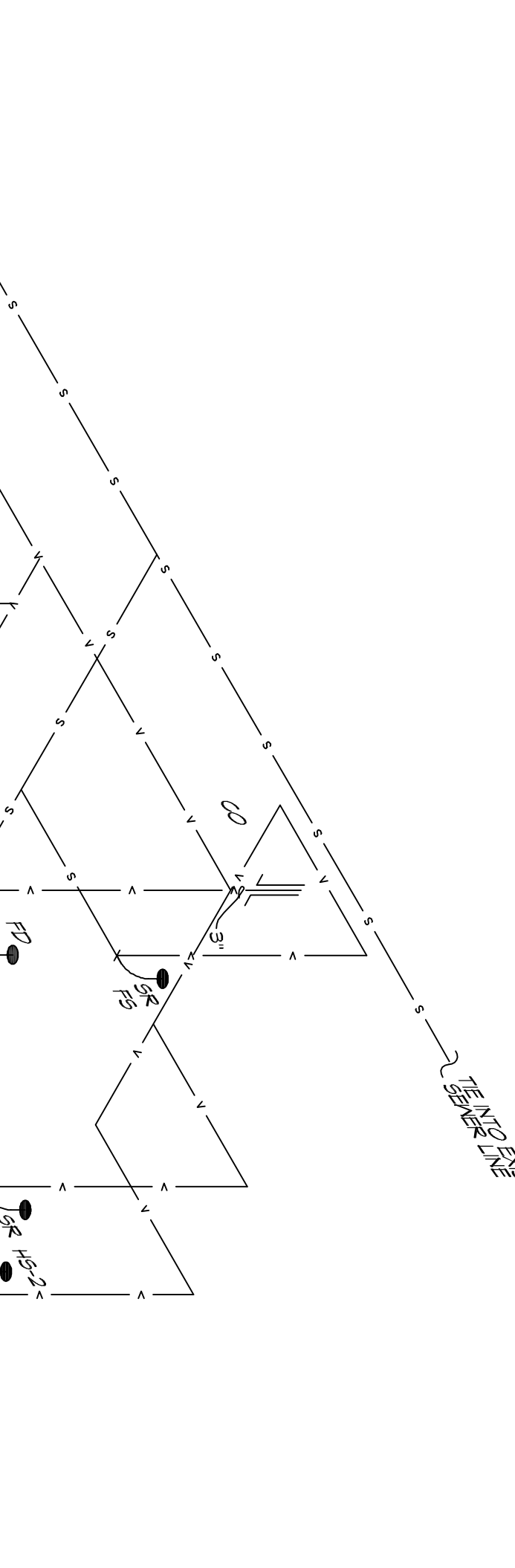


NOTE: SEE NOTE 3

1. 1/2" DIA. VENT PIPE TO ROOF

2. 1/2" DIA. VENT PIPE TO ROOF

3. 1/2" DIA. VENT PIPE TO ROOF



GENERAL PLUMBING NOTES

- PLUMBING LINES SHOWN ARE DRAWN DIAGRAMMATIC IN NATURE AND REPRESENT CONCEPTUAL ROUTING ONLY. CONTRACTOR IS RESPONSIBLE FOR FIELD VERIFICATION OF ALL ACTUAL CONDITIONS.
- PROVIDE ALL LABOR, MATERIAL, TRANSPORTATION, SUPERVISION, CLEANUP SERVICES, AND EQUIPMENT FOR A COMPLETE OPERATING SYSTEM. THE SYSTEM SHALL INCLUDE HOT AND COLD WATER PIPING, SEWER AND VENT PIPING, INSULATION, WATER HEATER, HANGERS, VALVES, SUPPORTS WITHOUT ANY RESTRICTIONS TO VOLUME, CUT AND PATCH AS REQUIRED TO INSTALL PIPES.
- ALL WORK AND MATERIAL SHALL CONFORM STRICTLY TO THE LATEST LOCAL, CITY, PARISH, STATE AND NATIONAL GOVERNING CODES. CONTRACTOR SHALL MEET LA STATE PLUMBING CODE 2019 REQUIREMENTS.
- CONTRACTOR IS TO FIELD VERIFY ALL EXISTING UTILITY LOCATIONS, ELEVATIONS AND SIZES PRIOR TO COMMENCING ANY WORK. CONTRACTOR SHALL PAY NECESSARY FEES FOR THE UTILITIES CONNECTIONS.
- CONTRACTOR IS RESPONSIBLE TO VERIFY THE EXISTING INVERTS AND SET NEW INVERTS OF SEWERAGE AND DRAINAGE PIPES.
- SEWERAGE LINES 5-INCH AND SMALLER SHALL BE SLOPED 1/4" PER FOOT AND LINES 4-INCH AND LARGER SHALL BE 1/8" PER FOOT.
- TEST ALL PIPING AT REQUIRED PRESSURE.
- ALL PLUMBING SHALL BE COORDINATED WITH STRUCTURAL, MECHANICAL SYSTEM AND ELECTRICAL SYSTEMS TO INSURE NO TRADES WILL CONFLICT WITH EACH OTHER.
- DO NOT SCALE DRAWINGS. SEE ARCHITECTURAL DRAWINGS FOR EXACT LOCATIONS OF DOORS, WINDOWS, WALLS, FIXTURES, ETC.
- ALL WATER MAINS AND PIPING NOT SHOWN FOR CLARITY. ALL LOCATIONS FIELD VERIFIED.
- DOWNSIDE HOT AND COLD WATER PIPING AND FITTINGS UNDER SLABS SHALL BE ASTM B88 COPPER MATTER TYPE K, SOFT ANNEALED. NO JOINTS SHALL BE ALLOWED UNDER THE SLAB.
- DOWNSIDE WATER PIPING AND FITTINGS ABOVE THE SLAB SHALL BE ASTM B88 COPPER MATTER TYPE L, HARD DRAWN WITH COPPER PRESERVE TYPE FITTINGS. ANS B16.22 THE JOINTS SHALL BE SOLDERED TYPE USING ASTM B32. ALLOY GRADE 954 (95-5) SOLDER.
- SOIL, WASTE, VENT PIPING AND FITTINGS ABOVE THE SLAB SHALL BE SERVICE WEIGHT CAST IRON PIPE WITH BELL AND SPIGOT ENDS AND ONE PIECE RECORDED INSERT TYPE GASKET. USE PVC SCHEDULE 40 OR ABS DRY PIPE AND FITTINGS WHERE PERMITTED BY CODE.
- ALL WATER PIPING AND FITTINGS ABOVE THE FLOOR SHALL BE INSULATED WITH 1/2" THICK FIBERGLASS INSULATION AND JACKET.
- ALL ELECTRICAL, MECHANICAL AND PLUMBING ELEMENTS PENETRATING FIRE PARTITIONS SHALL BE FIRE CALKED. (PENETRATIONS THROUGH RATED CONSTRUCTION SHALL BE SEALED WITH A MATERIAL MEETING THE RATED PENETRATION TEST AND NOT GRADES WHEN TESTED IN ACCORDANCE WITH ASTM E-814).
- SEE ROOF PLAN FOR PLUMBING ROOF PENETRATIONS. ROOF VENT PIPES IN ATTIC AS NECESSARY.
- ALL VENTS THROUGH ROOF (VTR) SHALL BE LOCATED A MINIMUM OF 10'-0" FROM ANY MECHANICAL OR NATURAL AIR INTAKE.

PLUMBING ABBREVIATIONS

SYMBOL	DESCRIPTION
SR	SPEED RAIL
WC	WATER CLOSET
US	UTILITY SINK
AS	ALTO SHAW
HS	HAND SINK
LAV	LAVATORY
MC	WALL CLEANOUT

LEGEND

—S—S—	SANITARY SEWER
—V—V—	VENT PIPE
->FD	FLOOR DRAIN
- CO	LINE CLEAN OUT
- MCO	WALL CLEAN OUT

PLUMBING FIXTURE SCHEDULE

ITEM	DESCRIPTION	SOI	VENT	COLD WATER	HOT WATER
WC	WATER CLOSET	4"	3"	1"	—
LAV	LAVATORY	1-1/2"	2"	1/2"	1/2"
US	UTILITY SINK	3"	2"	1/2"	1/2"
HS-1	HANDSINK	1-1/2"	2"	1/2"	1/2"
HS-2	HANDSINK	1-1/2"	2"	1/2"	1/2"
AS	ALTO SHAW	1-1/2"	2"	(2) 1/2"	—
SR	SPEED RAIL	3"	2"	—	—
DM	DBH WASHER	3"	2"	—	1/2"
FS	FLOOR SINK	3"	2"	—	—
FD	FLOOR DRAIN	3"	2"	—	—
FOO	FLOOR CLEAN	—	—	—	—
MC	WALL CLEAN	—	—	—	—

PLUMBING FIXTURE SCHEDULE

GENERAL NOTE: PROVIDE HOT, COLD AND FILTERED COLD WATER FROM EXISTING SOURCES.

** TEMPERED HOT WATER

** ALTO SHAW REQUIRES 1" OR 3/4" TREATED COLD WATER & 1" OR 3/4" UNTREATED COLD WATER.

DAMMON ENGINEERING INC.

LOUISIANA & MISSISSIPPI

Chief Engineer: Brian Mistich, PE

554 Old Spanish Trail

Slidell, LA 70458

www.dammonengineering.com

info@dammonengineering.com

PH: 985.649.5832

REVISIONS

#	DESCRIPTION	DATE

SEAL:

NEW DINING ADDITION

SOUTHSIDE CAFE

9154 PONTCHARTRAIN DR
SLIDELL, LA 70458

JOB NO: 2354 DATE: 02-07-2019

DRAWN BY: MCV CHECKED BY: MCV

DRAWING NUMBER:

P101

SHEET TITLE:
PLUMBING PLAN AND
PLUMBING RISER DIAGRAM

SHEET NO. 13 OF 15