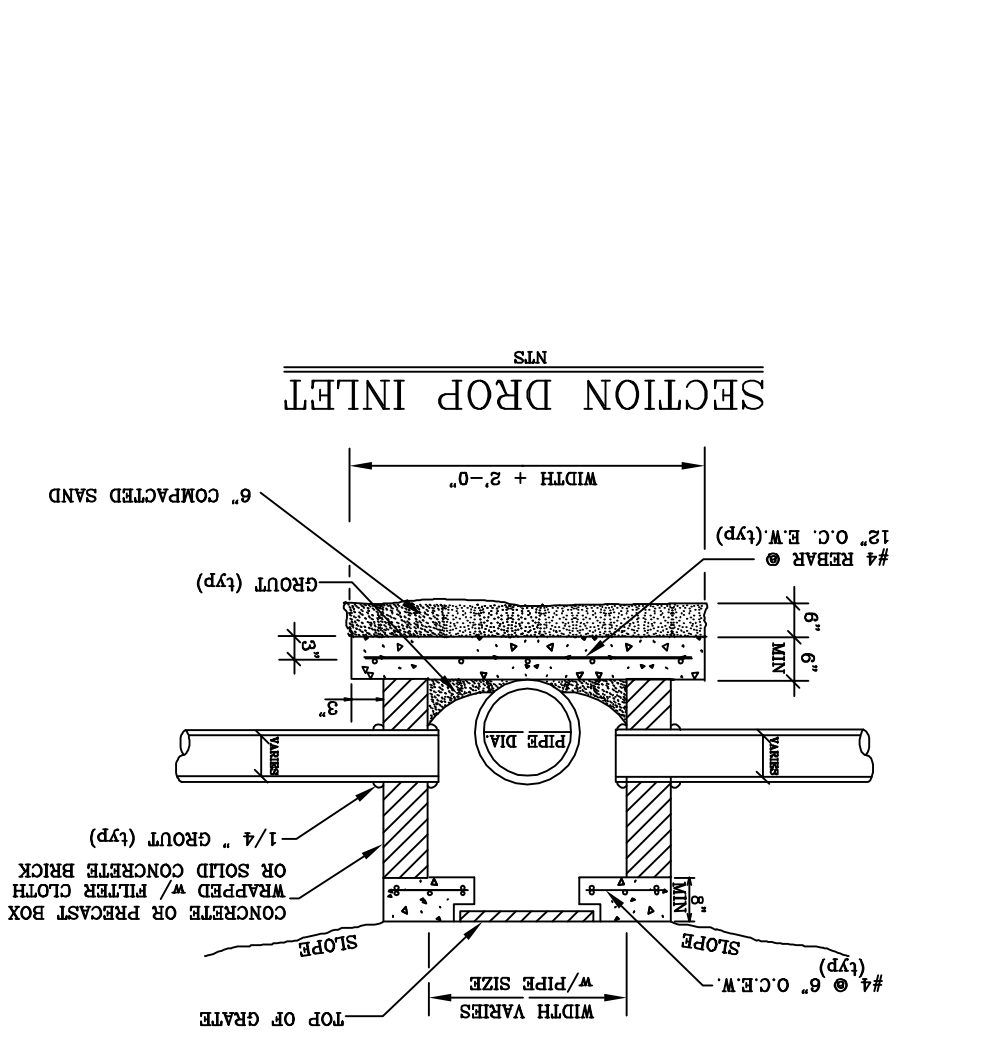
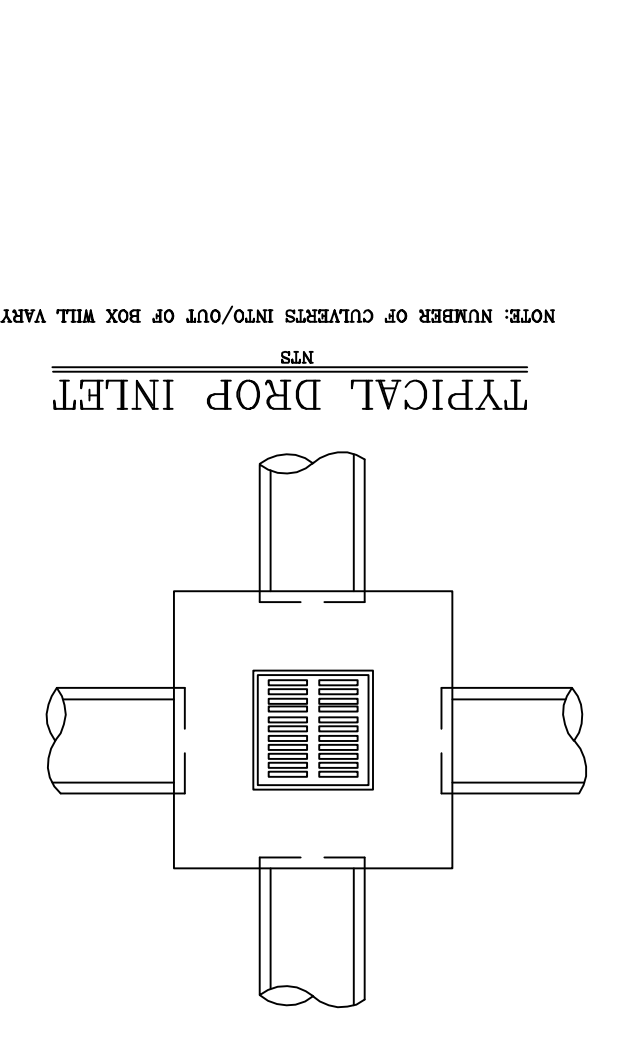
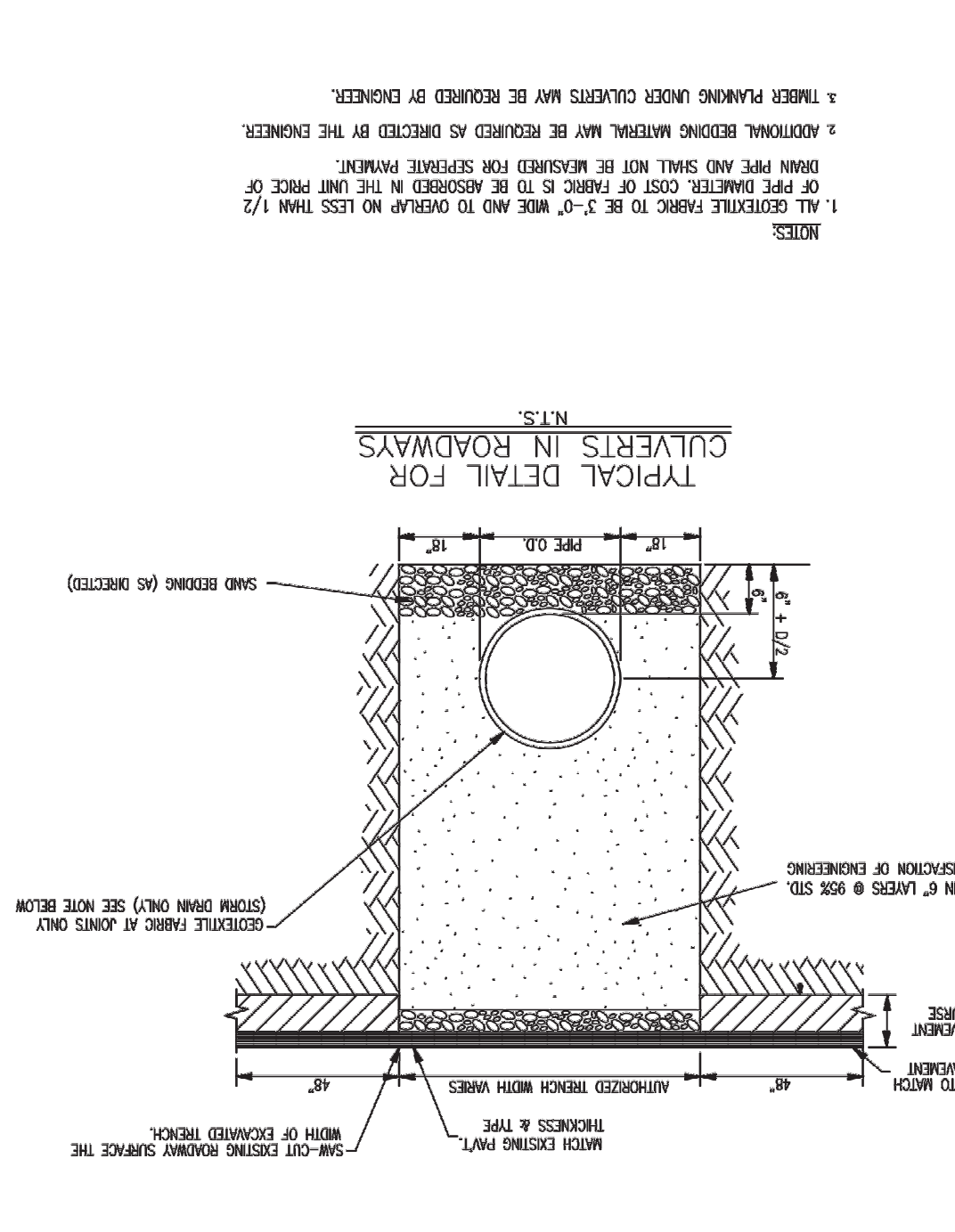
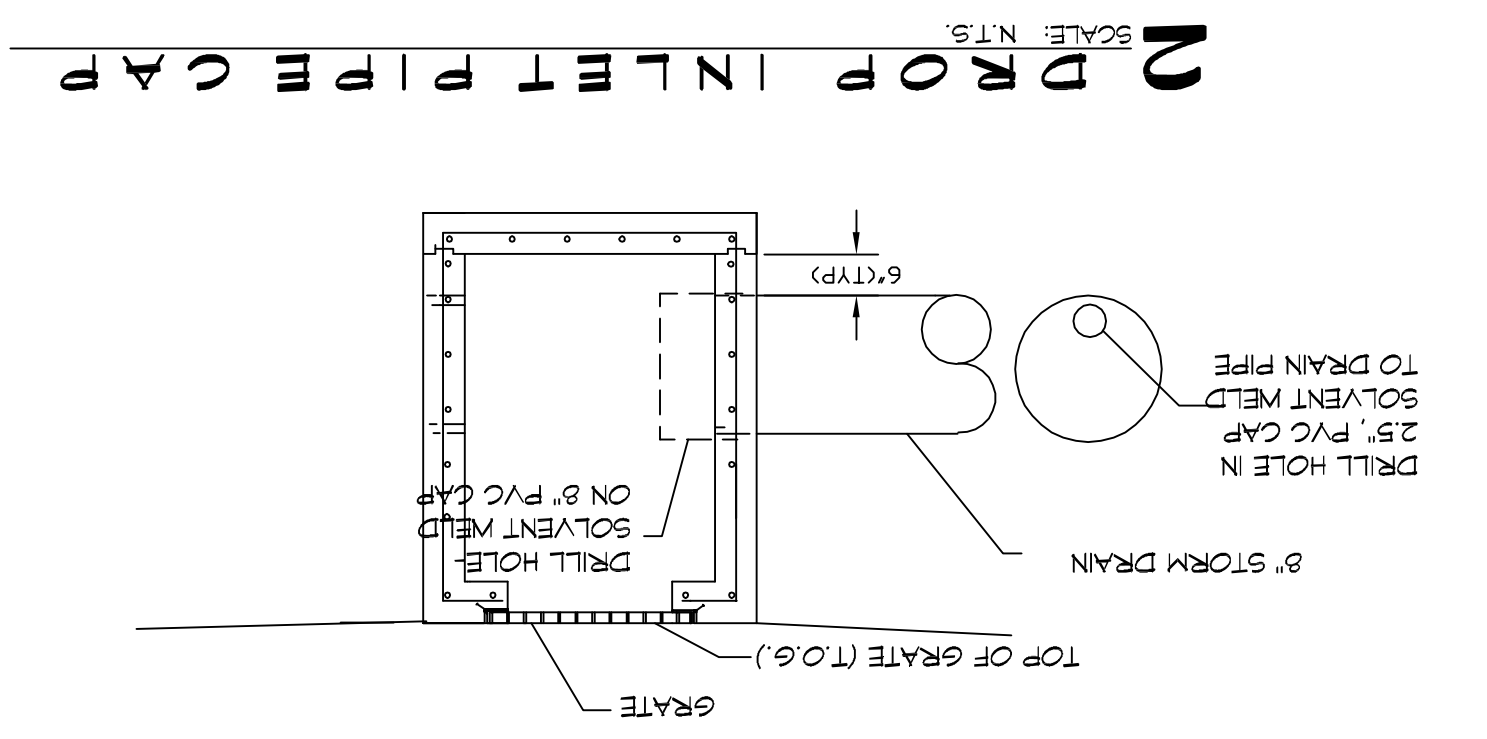


PIPE BEDDING AND DROP INLET
SCALE: N.T.S.



RESTAURANT

NO.	DESCRIPTION	DATE	BY	CHECKED
1	PRELIMINARY DESIGN	10/24/2014	BAM	
2	REVISED DESIGN	10/24/2014	BAM	
3	REVISED DESIGN	10/24/2014	BAM	
4	REVISED DESIGN	10/24/2014	BAM	
5	REVISED DESIGN	10/24/2014	BAM	
6	REVISED DESIGN	10/24/2014	BAM	
7	REVISED DESIGN	10/24/2014	BAM	
8	REVISED DESIGN	10/24/2014	BAM	
9	REVISED DESIGN	10/24/2014	BAM	
10	REVISED DESIGN	10/24/2014	BAM	
11	REVISED DESIGN	10/24/2014	BAM	
12	REVISED DESIGN	10/24/2014	BAM	
13	REVISED DESIGN	10/24/2014	BAM	
14	REVISED DESIGN	10/24/2014	BAM	
15	REVISED DESIGN	10/24/2014	BAM	
16	REVISED DESIGN	10/24/2014	BAM	
17	REVISED DESIGN	10/24/2014	BAM	
18	REVISED DESIGN	10/24/2014	BAM	
19	REVISED DESIGN	10/24/2014	BAM	
20	REVISED DESIGN	10/24/2014	BAM	
21	REVISED DESIGN	10/24/2014	BAM	
22	REVISED DESIGN	10/24/2014	BAM	
23	REVISED DESIGN	10/24/2014	BAM	
24	REVISED DESIGN	10/24/2014	BAM	
25	REVISED DESIGN	10/24/2014	BAM	
26	REVISED DESIGN	10/24/2014	BAM	
27	REVISED DESIGN	10/24/2014	BAM	
28	REVISED DESIGN	10/24/2014	BAM	
29	REVISED DESIGN	10/24/2014	BAM	
30	REVISED DESIGN	10/24/2014	BAM	
31	REVISED DESIGN	10/24/2014	BAM	
32	REVISED DESIGN	10/24/2014	BAM	
33	REVISED DESIGN	10/24/2014	BAM	
34	REVISED DESIGN	10/24/2014	BAM	
35	REVISED DESIGN	10/24/2014	BAM	
36	REVISED DESIGN	10/24/2014	BAM	
37	REVISED DESIGN	10/24/2014	BAM	
38	REVISED DESIGN	10/24/2014	BAM	
39	REVISED DESIGN	10/24/2014	BAM	
40	REVISED DESIGN	10/24/2014	BAM	
41	REVISED DESIGN	10/24/2014	BAM	
42	REVISED DESIGN	10/24/2014	BAM	
43	REVISED DESIGN	10/24/2014	BAM	
44	REVISED DESIGN	10/24/2014	BAM	
45	REVISED DESIGN	10/24/2014	BAM	
46	REVISED DESIGN	10/24/2014	BAM	
47	REVISED DESIGN	10/24/2014	BAM	
48	REVISED DESIGN	10/24/2014	BAM	
49	REVISED DESIGN	10/24/2014	BAM	
50	REVISED DESIGN	10/24/2014	BAM	
51	REVISED DESIGN	10/24/2014	BAM	
52	REVISED DESIGN	10/24/2014	BAM	
53	REVISED DESIGN	10/24/2014	BAM	
54	REVISED DESIGN	10/24/2014	BAM	
55	REVISED DESIGN	10/24/2014	BAM	
56	REVISED DESIGN	10/24/2014	BAM	
57	REVISED DESIGN	10/24/2014	BAM	
58	REVISED DESIGN	10/24/2014	BAM	
59	REVISED DESIGN	10/24/2014	BAM	
60	REVISED DESIGN	10/24/2014	BAM	
61	REVISED DESIGN	10/24/2014	BAM	
62	REVISED DESIGN	10/24/2014	BAM	
63	REVISED DESIGN	10/24/2014	BAM	
64	REVISED DESIGN	10/24/2014	BAM	
65	REVISED DESIGN	10/24/2014	BAM	
66	REVISED DESIGN	10/24/2014	BAM	
67	REVISED DESIGN	10/24/2014	BAM	
68	REVISED DESIGN	10/24/2014	BAM	
69	REVISED DESIGN	10/24/2014	BAM	
70	REVISED DESIGN	10/24/2014	BAM	
71	REVISED DESIGN	10/24/2014	BAM	
72	REVISED DESIGN	10/24/2014	BAM	
73	REVISED DESIGN	10/24/2014	BAM	
74	REVISED DESIGN	10/24/2014	BAM	
75	REVISED DESIGN	10/24/2014	BAM	
76	REVISED DESIGN	10/24/2014	BAM	
77	REVISED DESIGN	10/24/2014	BAM	
78	REVISED DESIGN	10/24/2014	BAM	
79	REVISED DESIGN	10/24/2014	BAM	
80	REVISED DESIGN	10/24/2014	BAM	
81	REVISED DESIGN	10/24/2014	BAM	
82	REVISED DESIGN	10/24/2014	BAM	
83	REVISED DESIGN	10/24/2014	BAM	
84	REVISED DESIGN	10/24/2014	BAM	
85	REVISED DESIGN	10/24/2014	BAM	
86	REVISED DESIGN	10/24/2014	BAM	
87	REVISED DESIGN	10/24/2014	BAM	
88	REVISED DESIGN	10/24/2014	BAM	
89	REVISED DESIGN	10/24/2014	BAM	
90	REVISED DESIGN	10/24/2014	BAM	
91	REVISED DESIGN	10/24/2014	BAM	
92	REVISED DESIGN	10/24/2014	BAM	
93	REVISED DESIGN	10/24/2014	BAM	
94	REVISED DESIGN	10/24/2014	BAM	
95	REVISED DESIGN	10/24/2014	BAM	
96	REVISED DESIGN	10/24/2014	BAM	
97	REVISED DESIGN	10/24/2014	BAM	
98	REVISED DESIGN	10/24/2014	BAM	
99	REVISED DESIGN	10/24/2014	BAM	
100	REVISED DESIGN	10/24/2014	BAM	



NOTES

- ELEVATIONS SHOWN ARE MSL.
- FIELD VERIFY ALL ELEVATIONS AND DRAINAGE SYSTEM PLACEMENT PRIOR TO START OF WORK.
- PROVIDE VERTICAL ELBOW AT DOWNSPOUTS WITH SPLASH BLOCKS.

DRAINAGE LEGEND

- TOP OF CONCRETE ELEVATION
- INVERT OF PIPE ELEVATION
- 18" A/RCP DRAIN PIPE IN DITCH
- PVC PIPE IN PARKING AREA
- NEW ELEVATION
- NATURAL GRADE
- SLOPE

FLOOD ZONE

ZONE 'C'

BUILDING ELEVATION

FINISHED FLOOR ELEVATION = 18.50

REVISIONS

#	DESCRIPTION	DATE	BY	CHECKED
1	REVISED CUT/FILL CALCS	9/26/2014	BAM	

SHEET NO. 4 OF 2

C101

DRAWING NUMBER: DRAINAGE PLAN

SHEET TITLE: DRAINAGE PLAN

NEW RESTAURANT
TABANERON
RESTAURANT

1935 LA HWY. 22 WEST
MADISONVILLE, LA 70447

JOB NO.: 2393 DATE: 10-24-2014
DRAWN BY: CJD CHECKED BY: BAM

SEAL:

DAMMON ENGINEERING, INC.
LOUISIANA & MISSISSIPPI

Chief Engineer: Brian Maschke, PE
594 Old Spanish Trail
Shreveport, LA 71205
www.dammonengineering.com
info@dammonengineering.com
PH: 937.567.3533