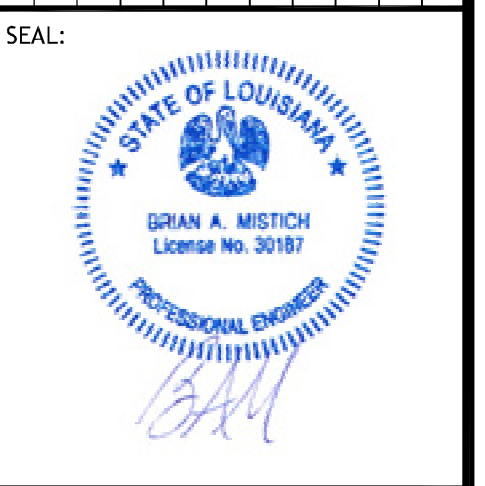


#	DESCRIPTION	DATE
1		



NEW RESTAURANT  
ABACANERO  
RESTAURANT

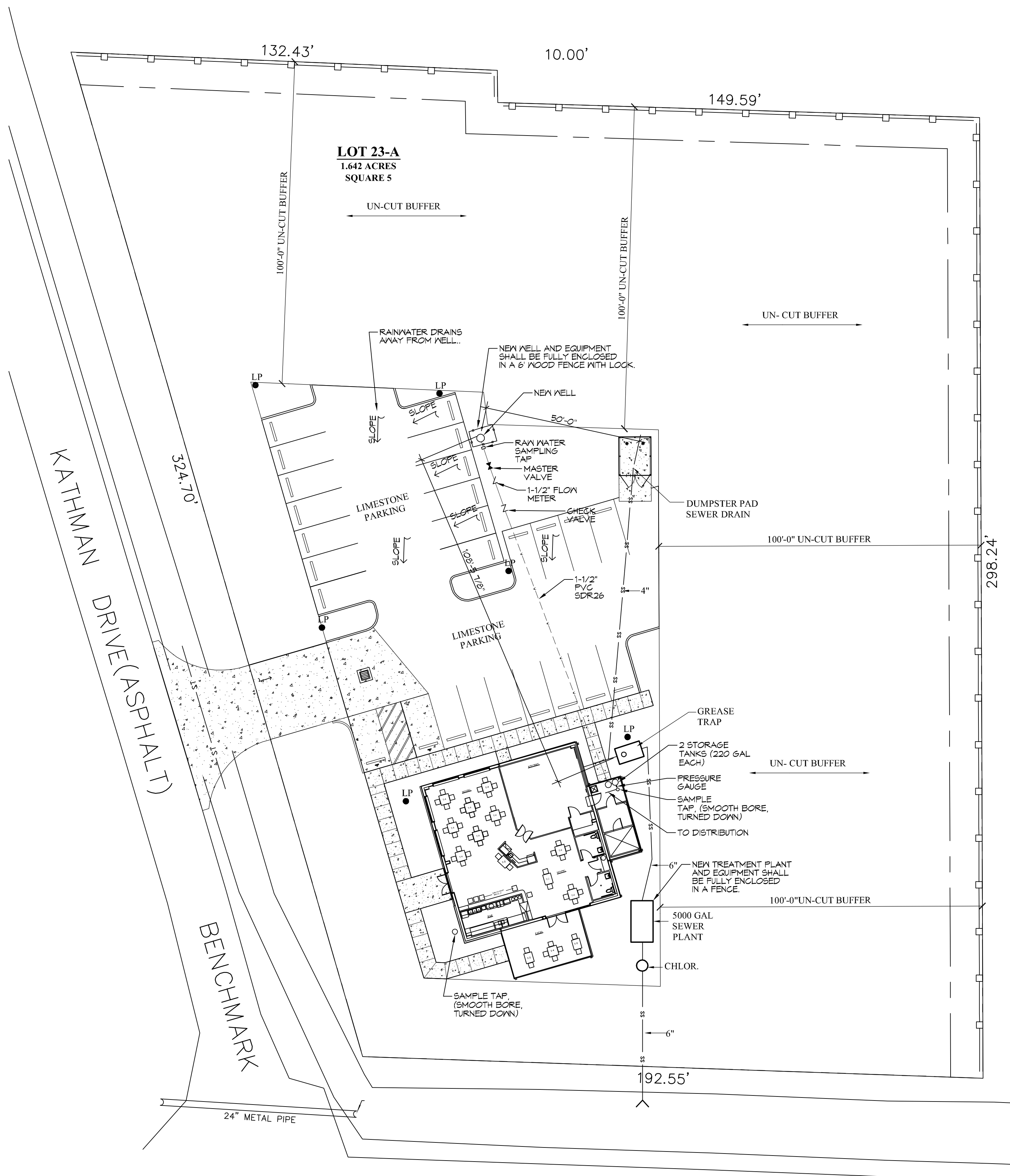
1936 LA HWY. 22 WEST  
MADISONVILLE, LA 70447

JOB No: 2345 DATE: 11-19-2019

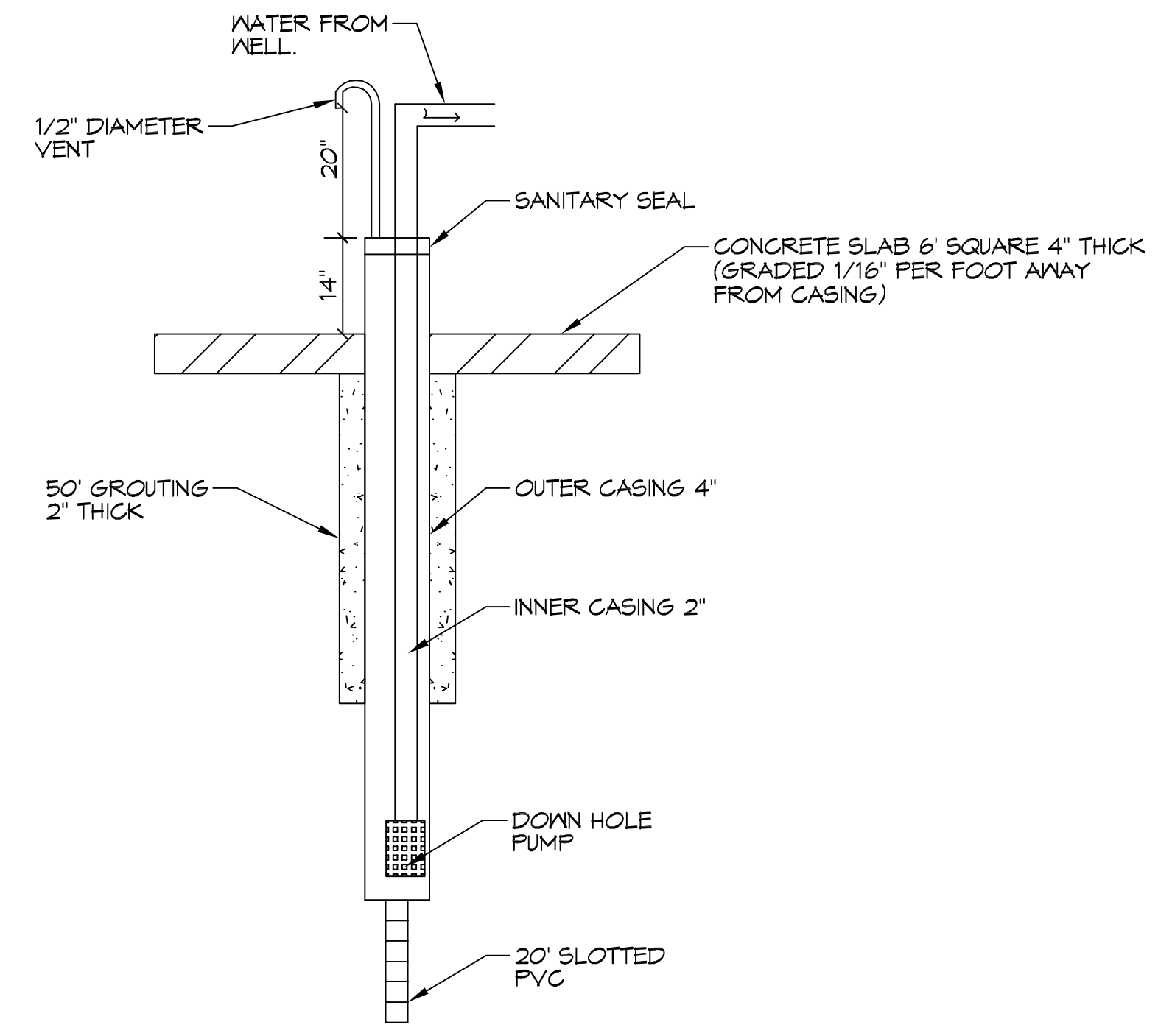
DRAWN BY: CACD CHECKED BY: BMM

SHEET TITLE:  
WELL PLAN

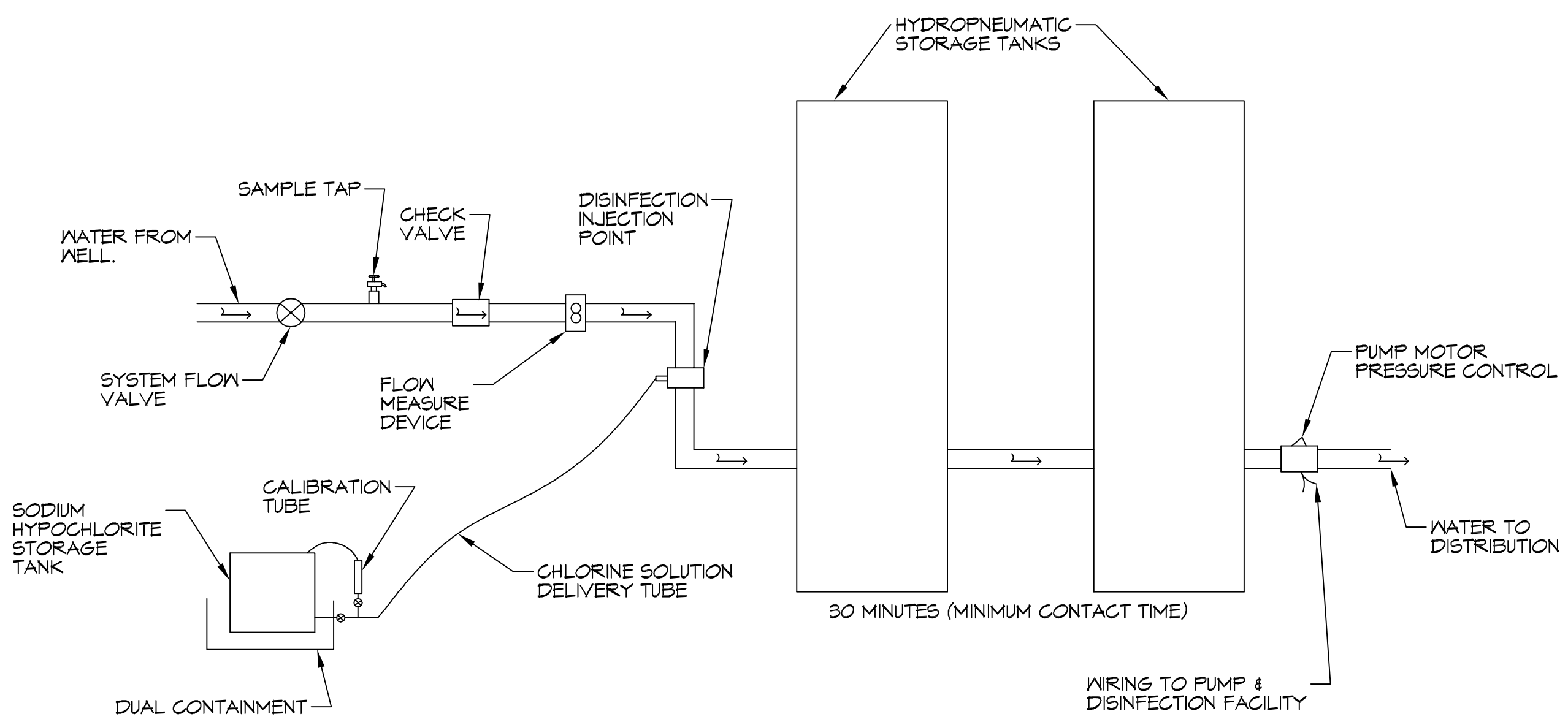
DRAWING NUMBER:  
**W101**



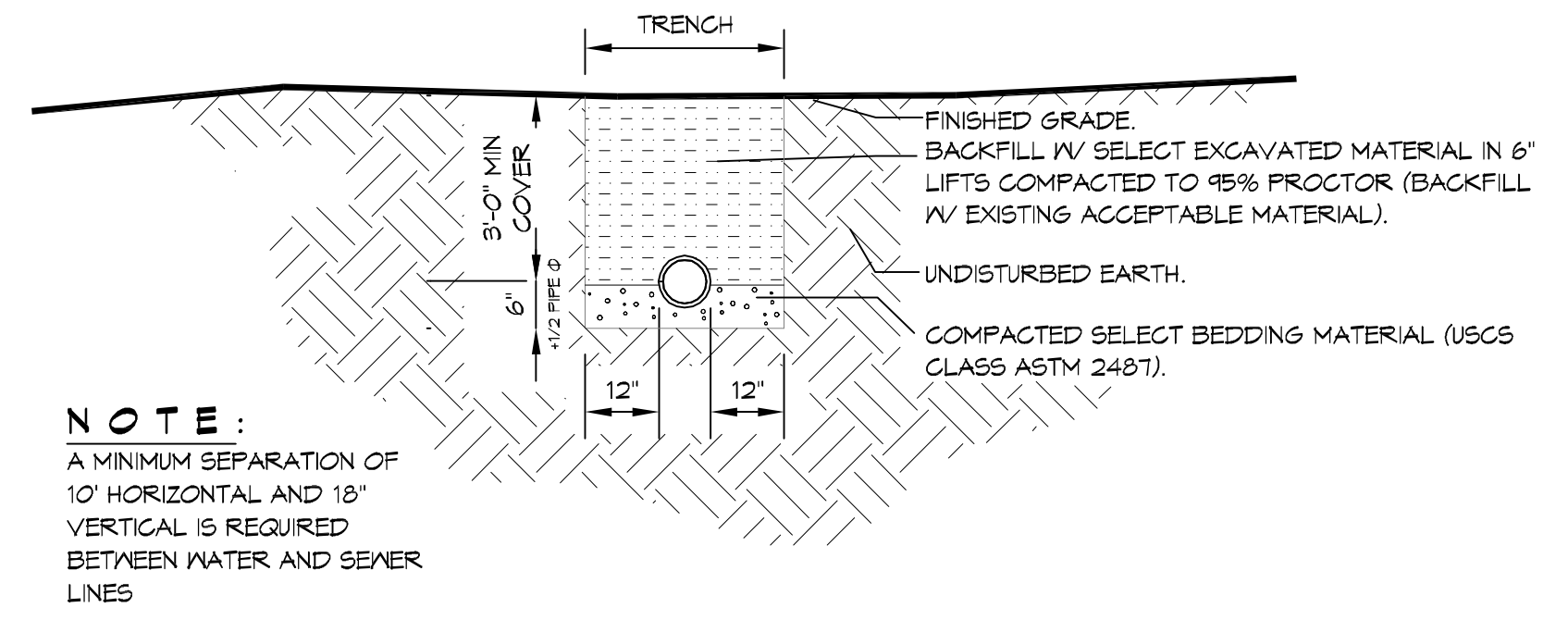
**1 SITE PLAN**  
SCALE: 1" = 20'-0"



**2 WELL HEAD**  
SCALE: N.T.S.



**3 SMALL WATER SYSTEM CONFIGURATION**  
SCALE: N.T.S.



**NOTE:**  
A MINIMUM SEPARATION OF 10' HORIZONTAL AND 18" VERTICAL IS REQUIRED BETWEEN WATER AND SEWER LINES

**4 DETAIL**  
SCALE: N.T.S.

LOUISIANA HIGHWAY NO. 22