

MOTAK

Bottle Cooler

Model #: MBST-65-X

Product Details

- Eco-friendly R290 refrigerant
- Removable bottle opener and cap catcher
- Durable stainless steel top, interior walls, floor, and ceiling
- Corrosion-resistant, black vinyl-covered steel exterior
- Electronic control system makes it easy to adjust temperature set point and defrost frequency
- Temperature range: 33-38°F
- Condenser coil is easy to access for cleaning and service
- Factory-installed 3" swivel casters

Not suitable for installation in non-commercial or residential applications.



Warranty

2 years parts & labor and additional 3 years on compressor

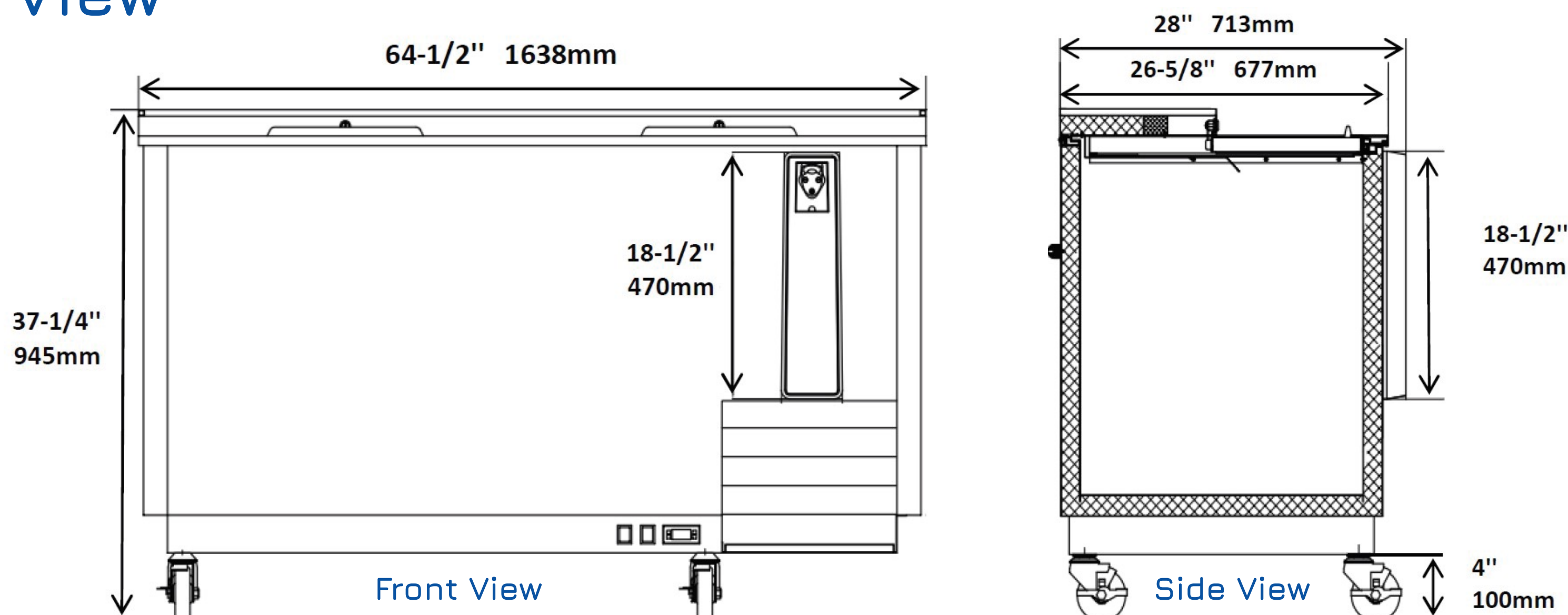
Certifications



Specifications

Model	Doors	Dividers	12 oz. Bottles (cases)	12 oz. Cans (cases)	Cabinet Dims (in)			HP	Voltage	Amp	NEMA Plug	Cord Length (ft)	Ship Weight (lbs)
					Width	Depth	Height						
MBST-65-X	2	3	22	32	64.5"	28.125"	37.25"	1/6	115/60/1	2.60	5-15P	10 ft.	286 lbs.

Plan View



MOTAK reserves the right to make changes to the design or specifications without prior notice.

JAN0621