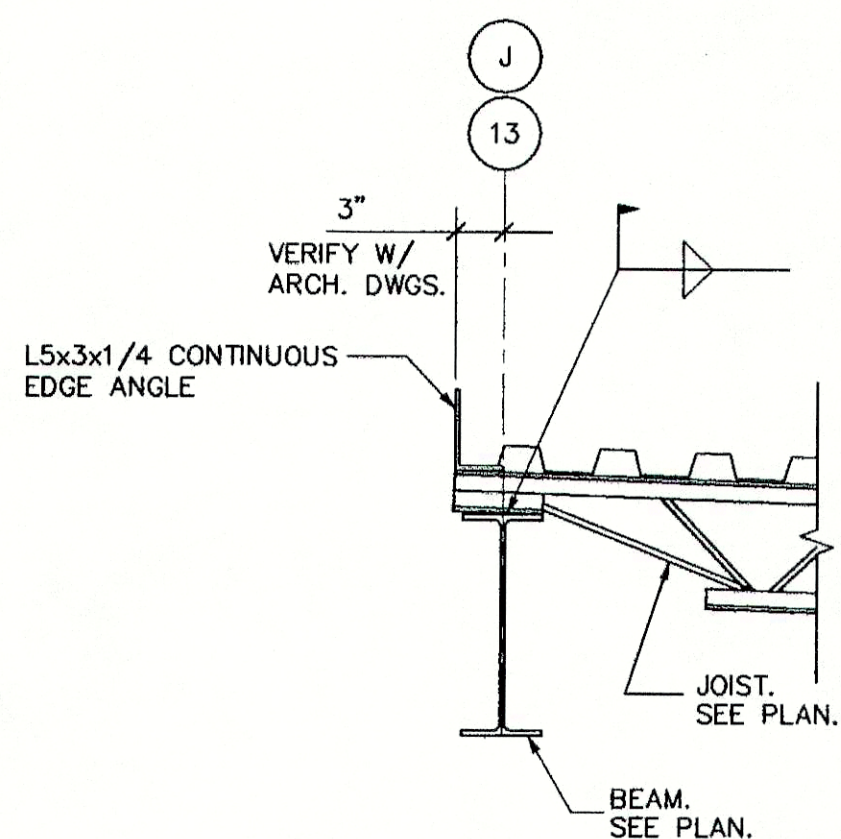
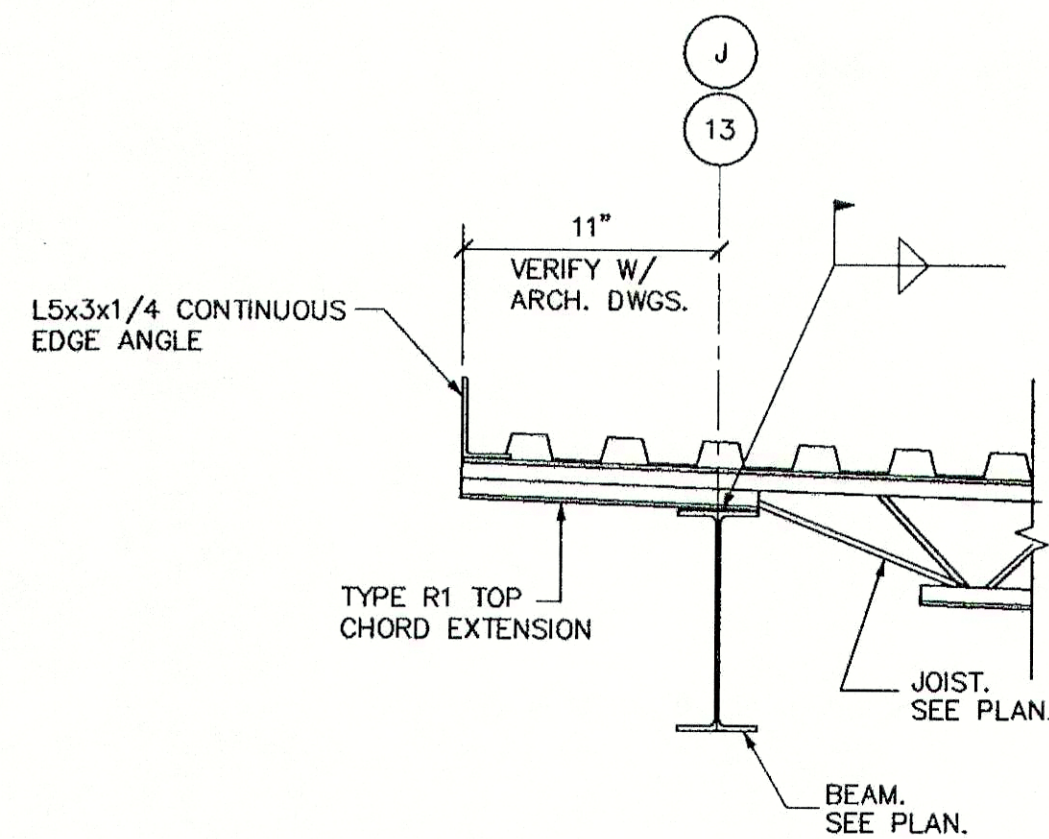


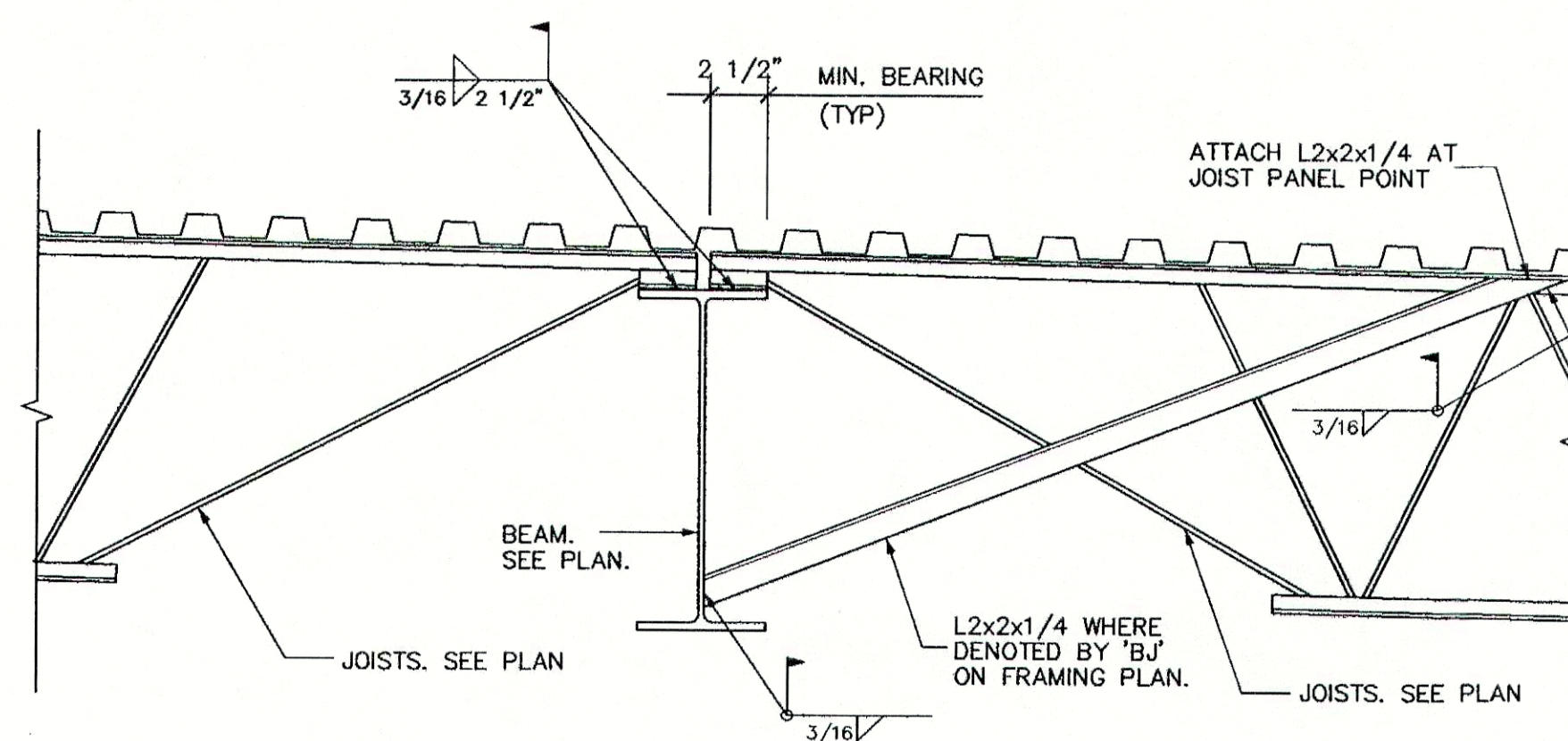
1 BUILDING SECTION
1/4" = 1'-0"



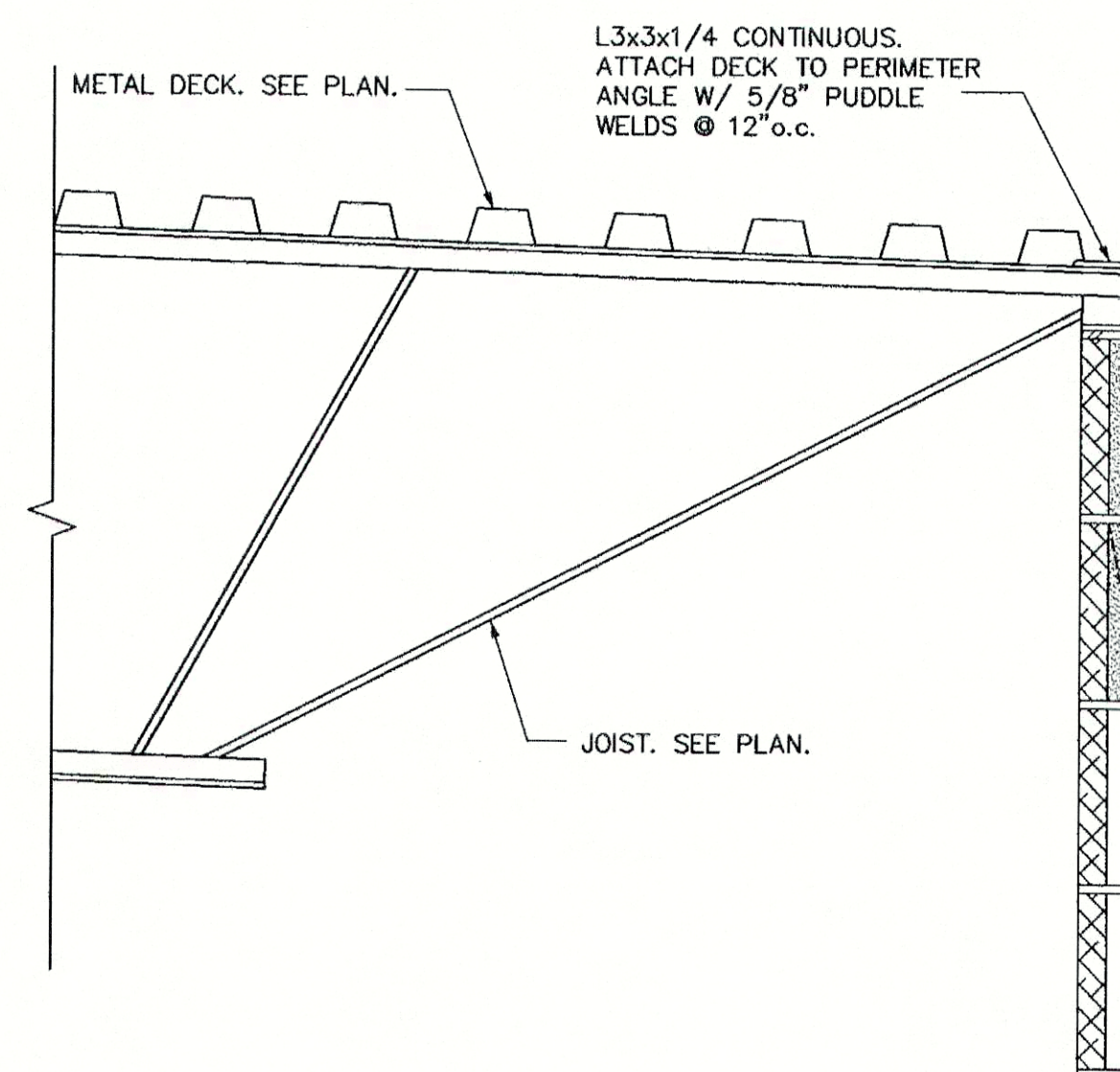
SECTION 2 AT GRIDLINE J AND 13
1" = 1'-0"



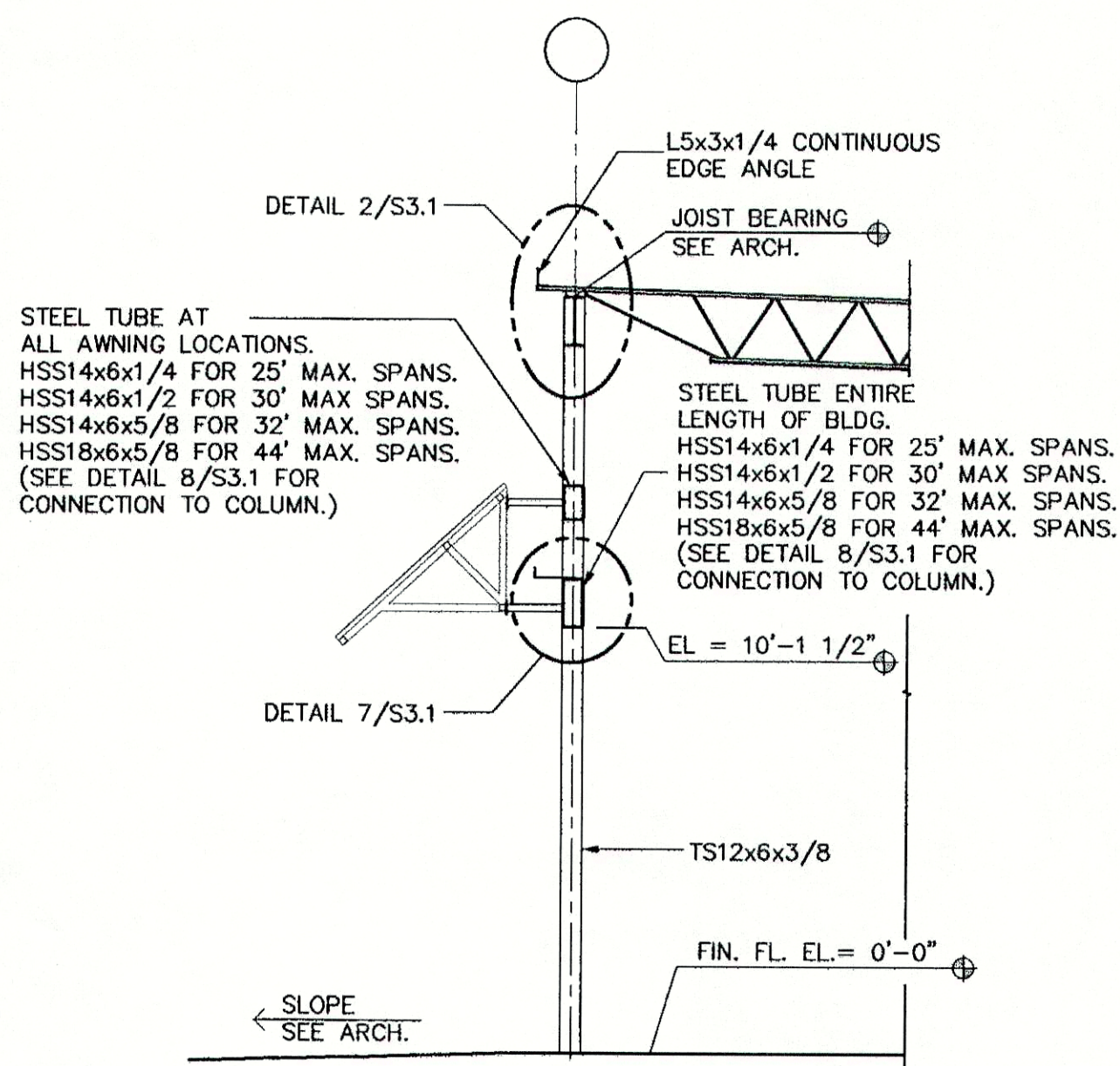
2a JOIST EXTENSION AT GRIDLINE J AND 13
1" = 1'-0"



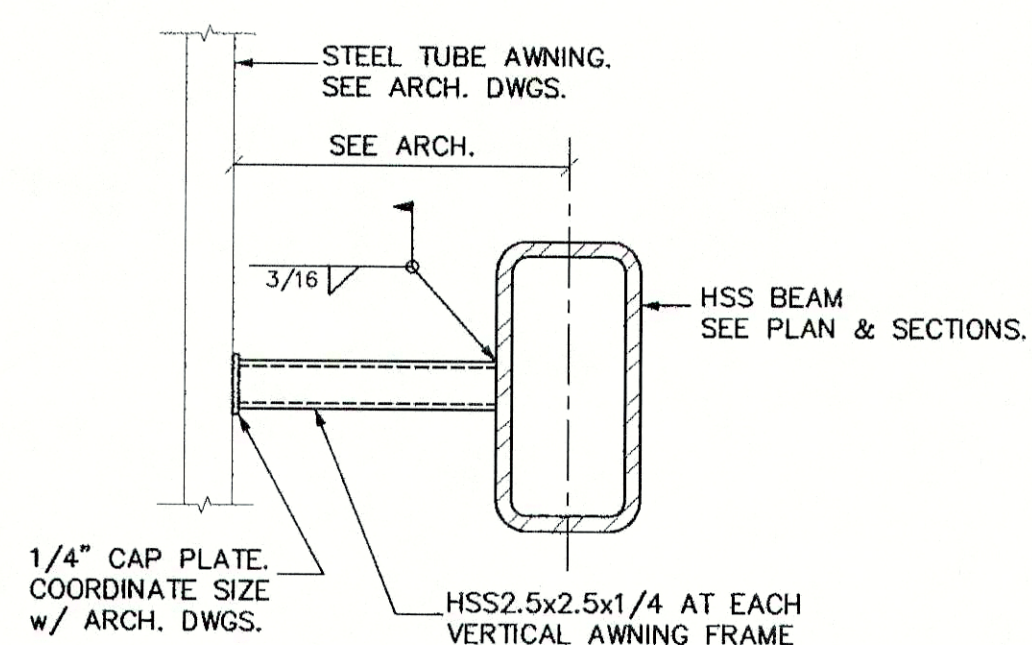
3 DETAIL - TYPICAL JOIST TO BEAM
1" = 1'-0"



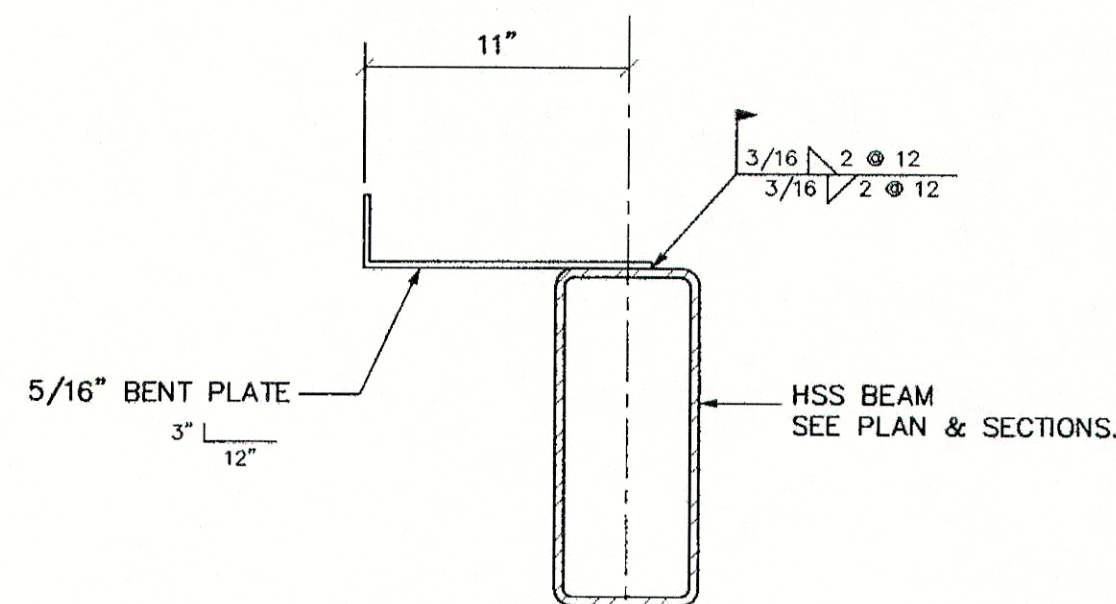
4 DETAIL - TYPICAL JOIST
1 1/2" = 1'-0"



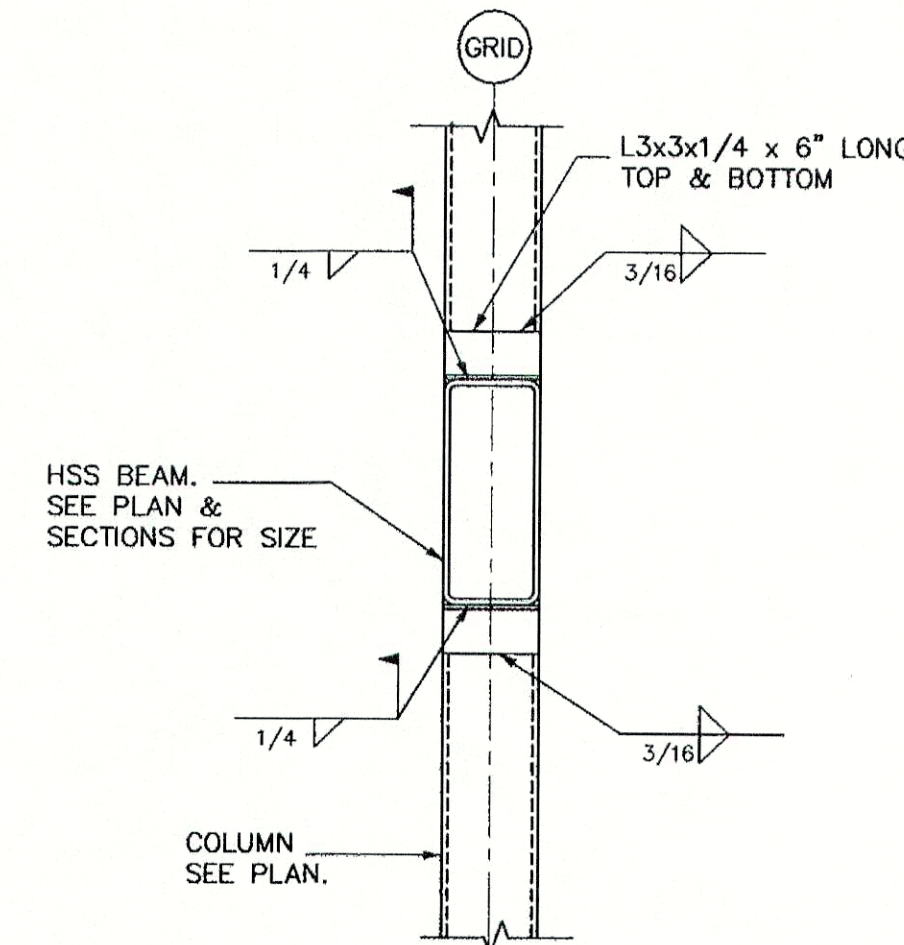
5 SECTION
1/4" = 1'-0"



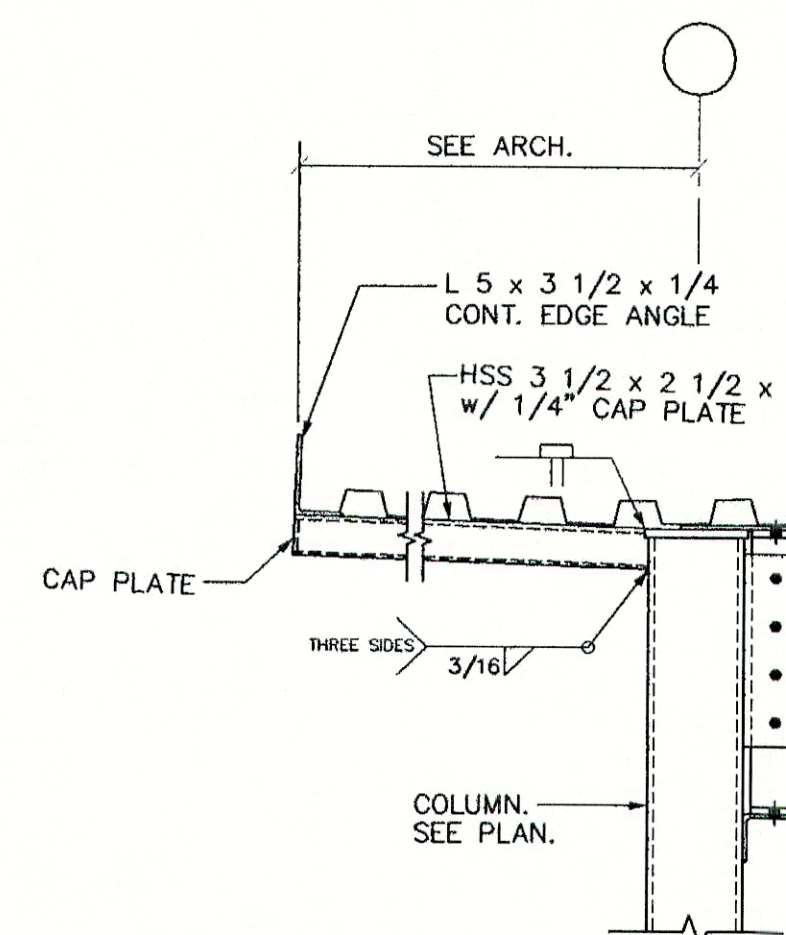
6 TYPICAL AWNING SUPPORT
1 1/2" = 1'-0"



7 DETAIL
1 1/2" = 1'-0"



8 DETAIL
1" = 1'-0"



9 SECTION
1" = 1'-0"