

Specifications:

Hood shall be self-compensating type introducing make-up air inside the hood through a full length, self-balancing slot.

The hood shall be fabricated from Type 430 stainless steel, 18 & 20 gauge with #4 polish on all exposed surfaces, and 18 gauge aluminized steel in concealed areas. The supply plenum shall be lined with 1" thick 3 lb. density foil back insulation, with a flame spread rating of 25 or less as tested by UL 723 to impede condensation from forming on hood surfaces. Supply air plenum shall contain a balancing plate for even distribution of air from one end of the supply slot to the other.

Hood shall be of double wall construction with seams and joints welded and sealed liquid tight, to conform to NFPA 96. Corners of hood shall be trimmed to give the hood a straight, crisp appearance free of warps. 12 gauge hanging brackets for hood shall be on each corner (more brackets as needed for longer hoods). Grease filters shall be UL classified, non-clogging, baffle type, and shall be easily removable for cleaning purposes.

All exhaust plenum surfaces and filters shall drain into a removable grease trough and be conveyed to a removable grease container. Lights shall be installed at approximately 3' intervals and shall be UL listed for use in exhaust hoods. Lights shall be completely pre-wired to a junction box located on top of the hood.

Exhaust collars shall be 16 gauge aluminized steel and have a 3/4" welding flange for easy field connection. Supply air collar shall be 18 gauge galvanized steel and include a UL Listed fire damper. Control panels shall include on/off toggle type switches, for the control of hood lights and fans. Each fan switch shall have red pilot lights in handle for positive function status identification. Panel shall have stainless steel face plate with each switch identified. The hood shall be constructed in accordance with NFPA bear the NSF Seal of Approval, and be ETL Listed. Hood to be manufactured by LARKIN INDUSTRIES, INC. 1-800-322-4036.

HOOD INFORMATION TABLE

HOOD NO.	MODEL	LQTH	WTH	AIR REQUIREMENTS			EXHAUST COLLAR			SUPPLY COLLAR			HOOD CONSTRUCTION	PLENUM	CEILING ENCLOSURE		
				MAX. COOKING QTY	SIZE W x L	EXHAUST CFM	TOTAL EXH CFM	SIZE W x L	SUPPLY CFM	TOTAL SUP CFM							
1	SC	11'-0"	72"	450 DEG	1	16" x 16"	3300	625"	3300	1	10" x 36"	2310	25"	2310	430 S/S	-	-

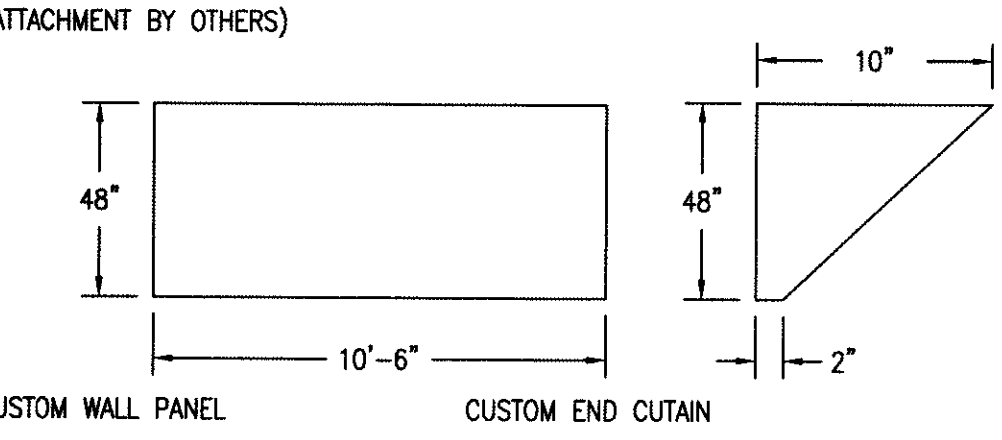
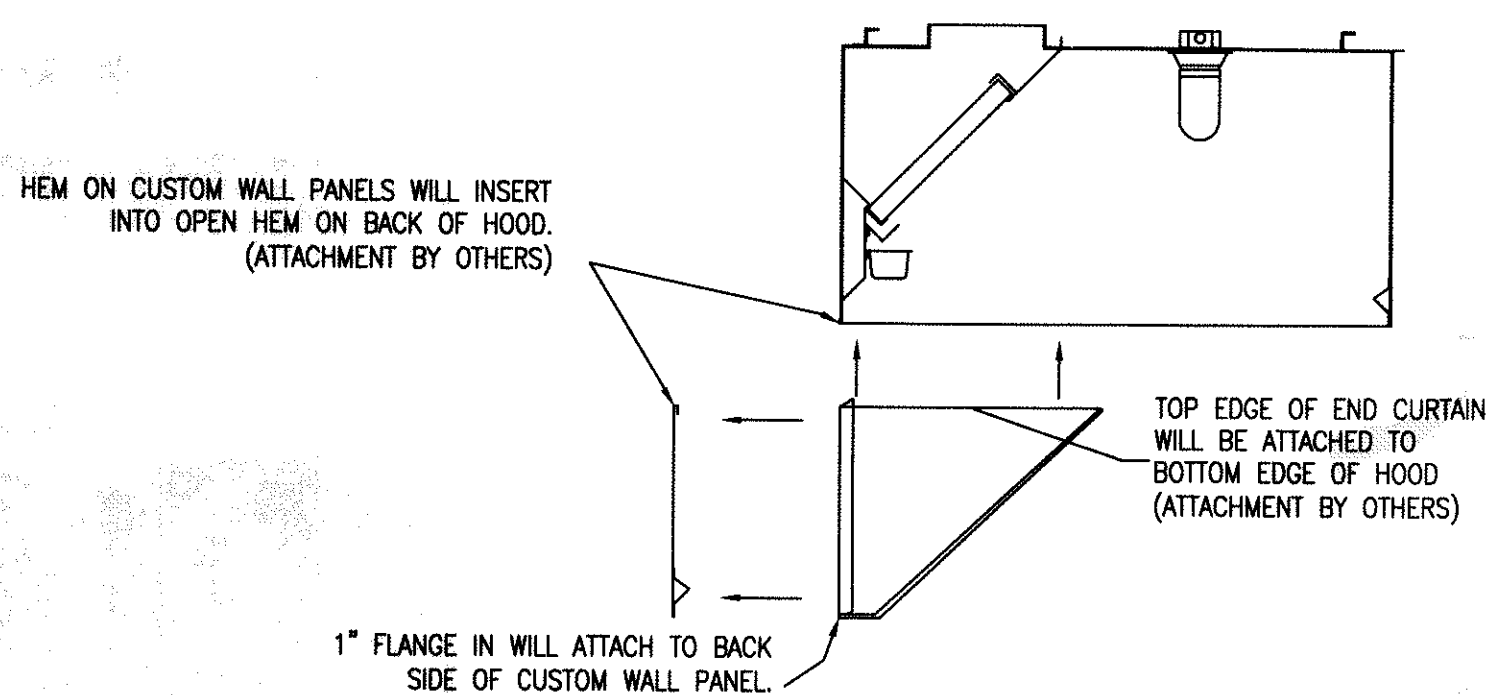
* ALL EXHAUST STATIC PRESSURES ARE @ COLLARS / DUCT SYSTEM NOT INCLUDED*

HOOD INFORMATION TABLE CONTINUED

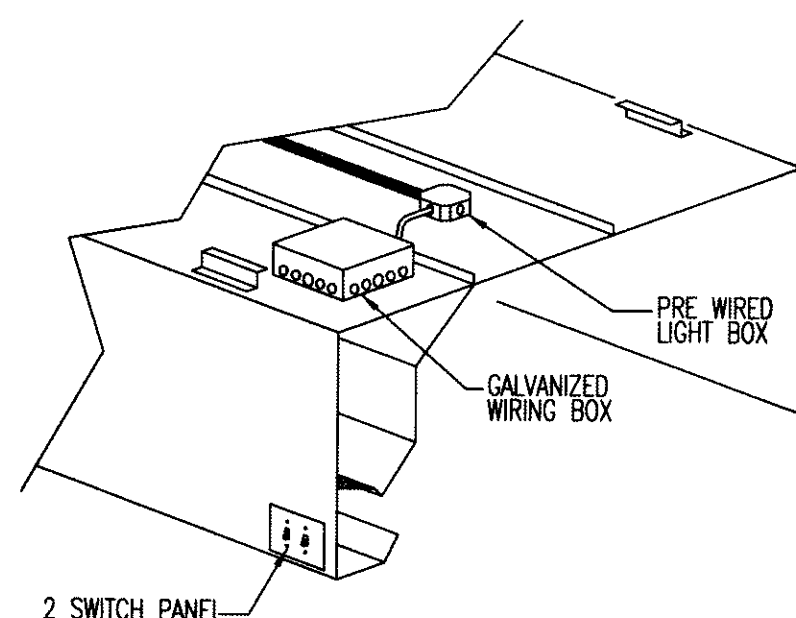
HOOD NO.	QTY	HGT	LQTH	TYPE	FILTERS			LIGHTS			WIRE GUARD	BACK S/O	END S/O	FIRE SYSTEM	HOOD LOCATION	WEIGHT	ELECTRICAL PKG.	FAN CONTROL	LOCATION
					QTY	HT	LT	HT	LT	HT									
1	4	16"	20"	ALUM Baffle	2	16"	25"	ALUM Baffle	3	INCANDESCENT	-	-	-	-	-	2	2	-	RH-END

* 48" TALL BACK WALL SPLASH PANEL PROVIDED WITH HOOD *

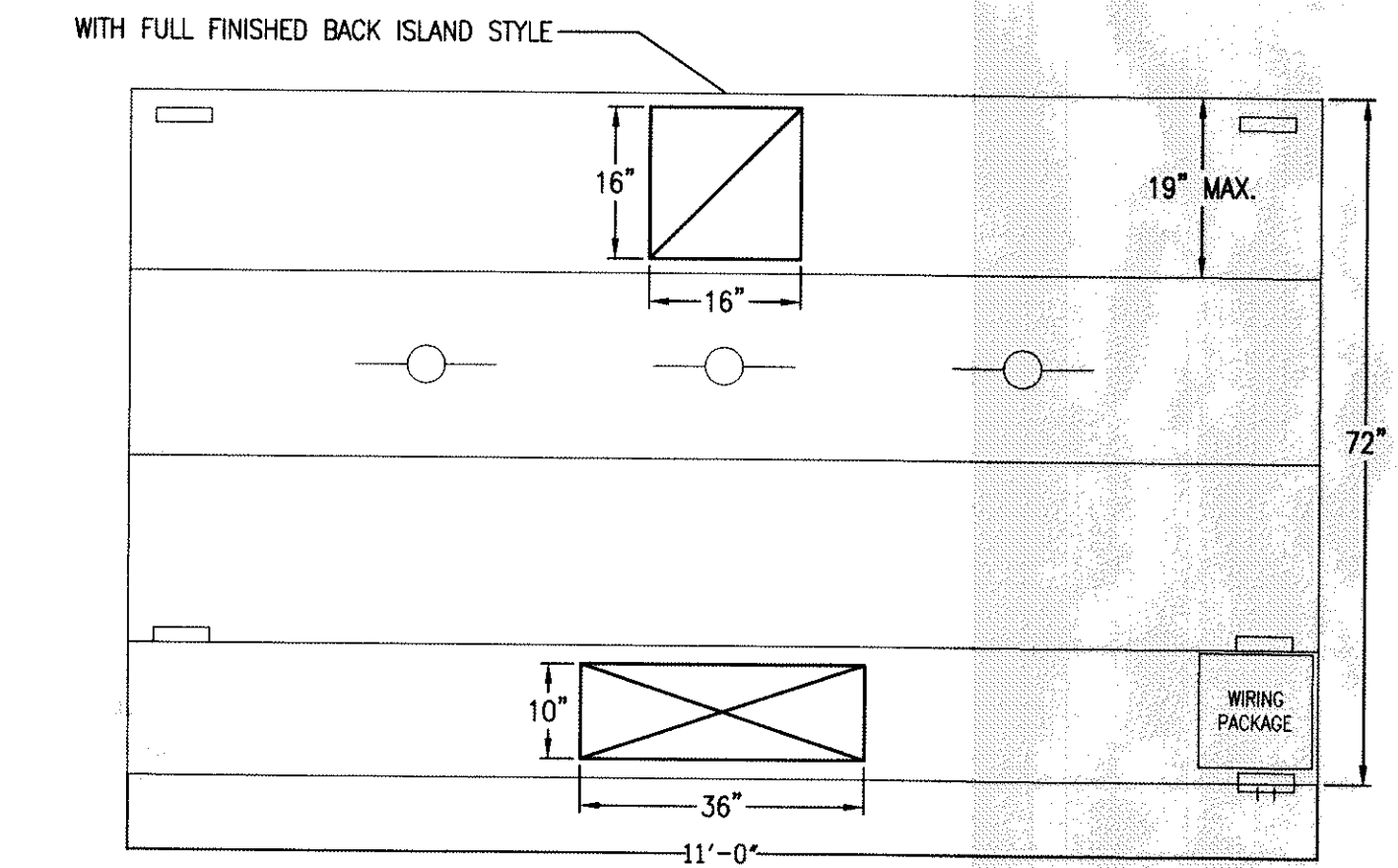
CUSTOM END CURTAINS AND WALL PANELS



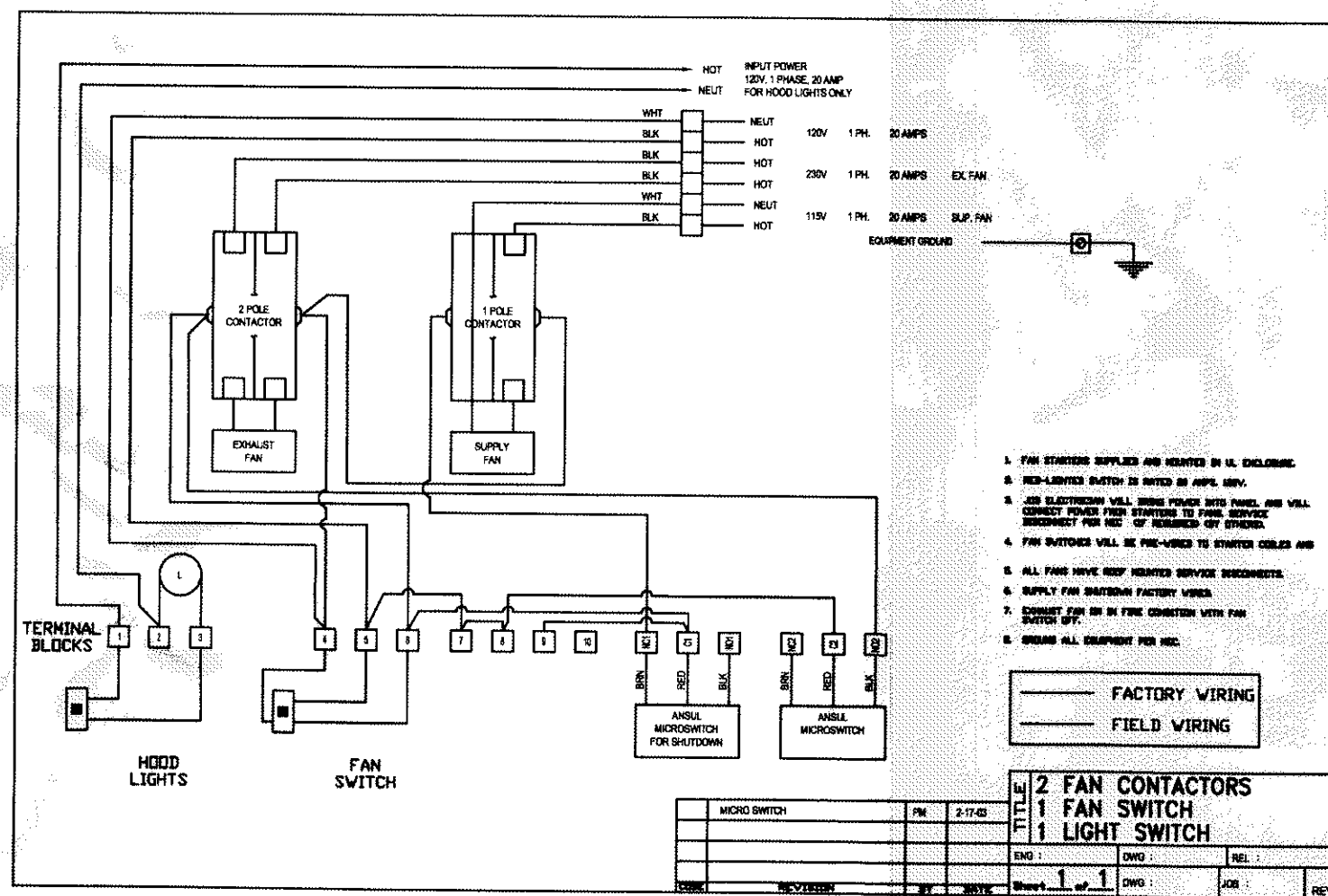
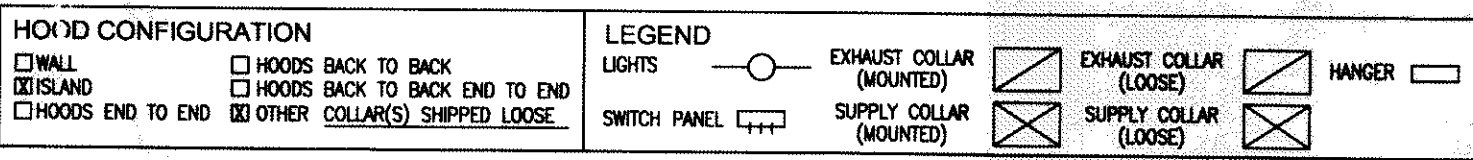
HOOD MOUNTED PRE-WIRED PACKAGE



PRE WIRED ELECTRICAL BOX TO BE MOUNTED ON TOP OF HOOD AND FACTORY PRE WIRED TO A SWITCH PANEL ON FACE OF HOOD AND THE HOOD LIGHTS. WIRING BOX SHALL CONTAIN, AS REQUIRED, STARTERS WITH OVERLOADS, RELAYS, CONTACTORS, TERMINAL STRIPS AND WIRING DIAGRAM. WIRING FROM POWER SOURCE AND ROOFTOP FANS REQUIRES FIELD HOOKUP AS PER NATIONAL ELECTRICAL CODE. PRE WIRED BOXES AVAILABLE IN 115V, 208V, 230V, SINGLE PHASE, AND 208V, 230V, AND 480V THREE PHASE.

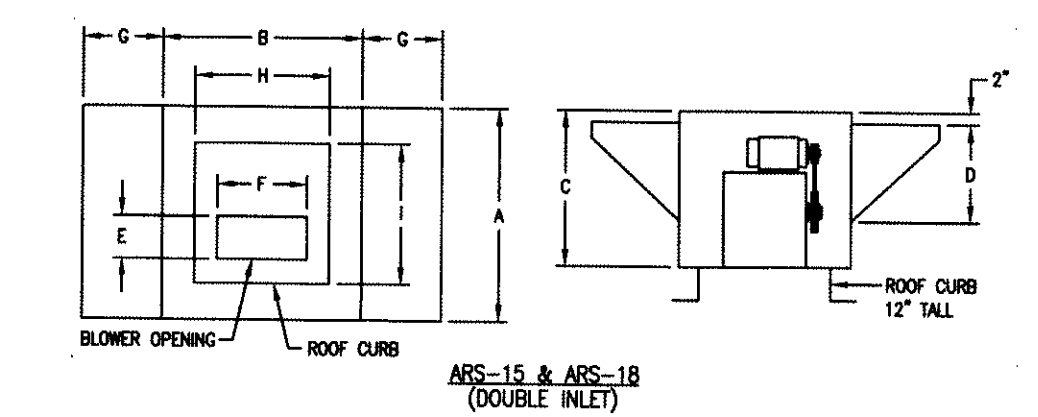
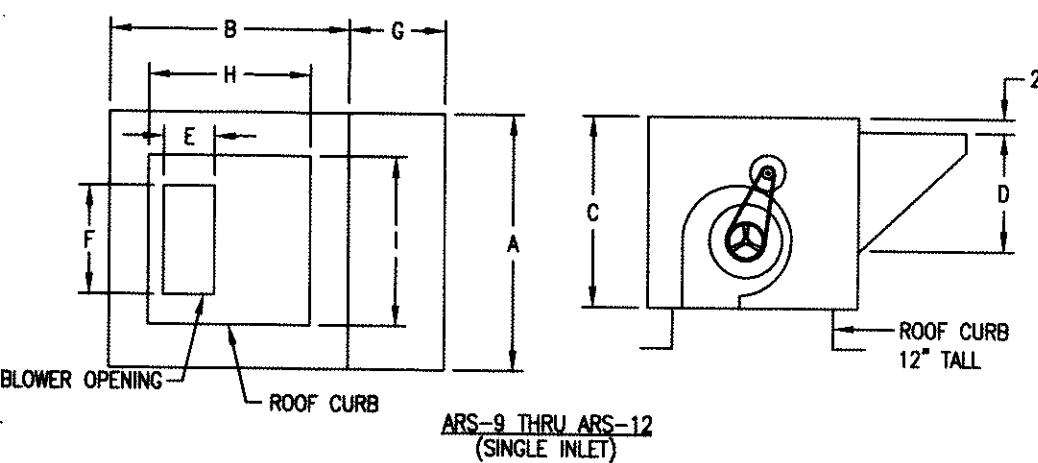


HOOD 1



SUPPLY FAN

FEATURES: HEAVY GAUGE SCREWED TOGETHER HOUSING • EASILY REMOVABLE COVER • CONSTRUCTED OF GALVANIZED STEEL (PAINTING NOT REQUIRED) • DOUBLE INLET SUPPLY BLOWER, BELT DRIVEN, MOUNTED ON VIBRATION INSULATORS • CAST IRON MOTOR AND FAN DRIVES • FACTORY MOUNTED DISCONNECT SWITCH • PERMANENT LUBRICATED BEARINGS • CLEANABLE ALUMINUM MESH FILTERS • ETL LISTED
OPTIONAL ACCESSORIES: A) BACK DRAFT DAMPERS B) MANUAL DAMPERS C) MOTORIZED DAMPERS D) SIDE DISCHARGE E) WALL MOUNT BRACKETS F) STARTERS G) ROOF CURBS H) EXTENDED INTAKE



FAN DIMENSIONAL DATA

MARK	MODEL	A	B	C	D	E	F	G	H	I	J	K	L	M	N	O	P	Q	R	S	T	U	V	W	X	Y	Z	ROOF CURB SIZE	FILTER SIZES
MK	ARS-9	24	24	30	25	10	1/4	11	13	16	18	23	23	(1)	20x20x1														
MK	ARS-10	34	34	35	30	11	1/8	13	17	18	18	33	33	(2)	16x25x1														
MK	ARS-12	34	34	35	30	13	7/16	15	18	18	33	33	(2)	16x25x1															
MK	ARS-15	34	34	35	30	15	7/8	18	18	18	33	33	(4)	16x25x1															
MK	ARS-18	42	42	43	30	18	7/8	21	18	18	41	41	(4)	20x25x1															

MOTOR INFORMATION

MARK	MODEL	QTY.	TYPE	CFM	SP	RPM	HP	VOLTS	CYCLE	PH	TYPE	OPTIONAL ACCESSORIES
SF	ARS-12	1	12	2310	.50"	-	1/2	115	60	1	STD	G - - - -

EXHAUST FAN

Larkin Industries, Inc. certifies that the XRB shown herein are licensed to bear the AMCA Seal. The ratings shown are based on test and procedures performed in accordance with AMCA Publication 211 and AMCA Publication 311 and comply with the requirements of the AMCA Certified Ratings Program.

The Type XRB is furnished standard with UL 782 listing (Power Ventilator for Restaurant Exhaust appliances/ZZHW) when furnished with factory supplied motor.

The Type XRB is furnished standard with cUL listing (Power Ventilator for Restaurant Exhaust appliances) when furnished with factory supplied motor.

DIMENSIONAL DATA

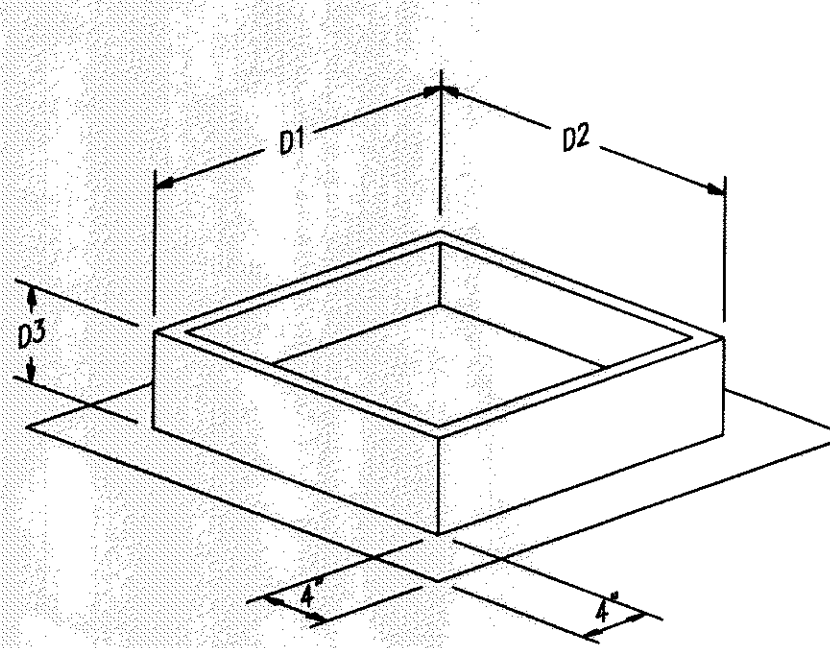
SIZE	A	B	C	G	T	SHD Wt. LESS MOTOR	ROOF OPNG. SQUARE
098	17-3/8	24-7/8	28-1/4	1-3/4	19	58	16
101	17-3/8	24-7/8	28-1/4	1-3/4	19	58	16
121	17-3/8	24-7/8	28-1/4	1-3/4	19	66	16
131	17-3/8	24-7/8	28-1/4	1-3/4	19	66	16
141	19-3/8	28-7/8	29-3/4	1-3/4	22	84	19
161	19-3/8	28-7/8	29-3/4	1-3/4	22	87	19
180	21	35-3/8	28-5/8	1-3/4	30	126	27
200	21	35-3/8	28-5/8	1-3/4	30	142	27
220	25-1/2	42-3/4	33-7/8	1-3/4	34	174	31
240	25-1/2	42-3/4	33-7/8	1-3/4	34	175	31
300	29	50	36	1-3/4	40	313	37
360	29-3/8	58-5/8	39-1/8	1-3/4	42	440	43
420	35-1/4	65-3/8	44-3/4	1-3/4	52	578	49
480	36	74-1/16	48-1/4	1-3/4	58	675	55

ALL DIMENSIONS IN INCHES. WEIGHTS IN POUNDS. ROOF OPENING SIZE FOR CURBS SUPPLIED BY COOK ONLY.

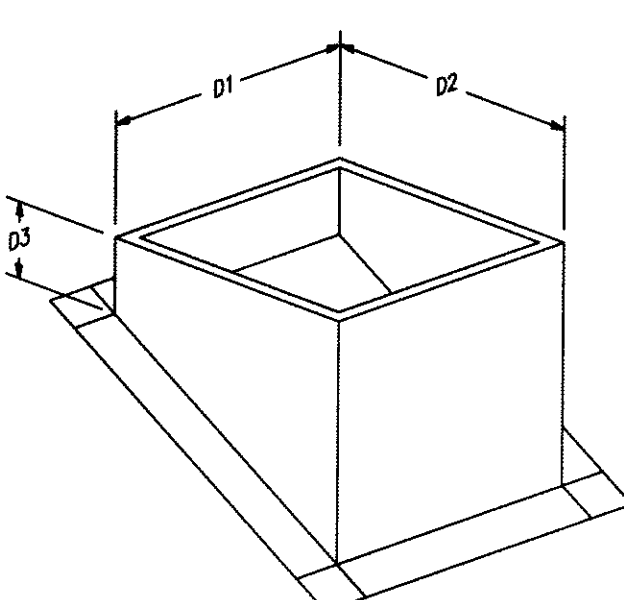
MOTOR INFORMATION

QTY	MARK	CATALOG NUMBER	FAN INFORMATION	MOTOR INFORMATION	ACCESSORIES
1	EF	XRB-180	3300 .625"	3/4 230 60 1 STD	1 5 6 -

FLAT ROOF CURB



SLOPE ROOF CURBS FOR FANS



HOOD DETAILS BY

QTY.	FAN MODEL	DIMENSIONS		
L1	L1	D1	D2	D3
L1	L1	D1	D2	D3

HOOD DETAILS BY

QTY.	FAN MODEL	DIMENSIONS		
L1	L1	D1	D2	D3
1	ARS-10	33"	33"	12"

HOOD DETAILS BY



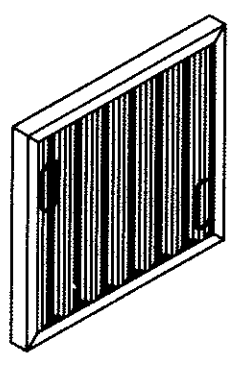
BAFFLE TYPE GREASE FILTERS

FEATURES:
 • STAINLESS STEEL OR ALUMINUM CONSTRUCTION FOR TOUGH OPERATION, INTERIOR FINISH
 • MANUAL PERMANENT PROTECTION AGAINST RUST AND CORROSION
 • SAFE, DEPENDABLE, POSITIVE FLAME BARRIER PROTECTION
 • SEAMLESS SMOOTH SURFACES PERMIT CONVEYANT GREASE RUN-OFF INTO HOOD COLLECTION TROUGHS
 • DESIGNED TO REPLACE MESH TYPE FILTERS WITHOUT COSTLY HOOD REWORKING

Air Flow Characteristics
 CFM vs. Static Pressure

EFFECTIVE AREA
 THE EFFECTIVE AREAS FOR THE FOLLOWING NOMINAL SIZE FILTERS ARE:

10" x 20" x 2"	1.00 SQUARE FEET
12" x 16" x 2"	0.87 SQUARE FEET
12" x 20" x 2"	1.25 SQUARE FEET
16" x 16" x 2"	1.36 SQUARE FEET
16" x 20" x 2"	1.75 SQUARE FEET
20" x 20" x 2"	2.25 SQUARE FEET
16" x 25" x 2"	2.24 SQUARE FEET
20" x 25" x 2"	2.88 SQUARE FEET



FEATURES

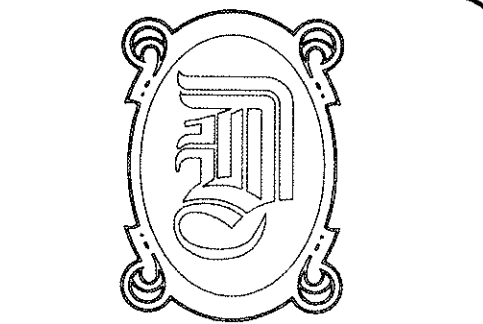
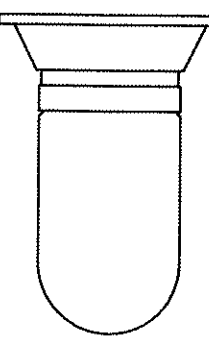
• HEATPROOF, GREASEPROOF, WATERPROOF.
 • SPECIFICALLY DESIGNED FOR PREWIRED CANOPY HOODS.
 • MOUNTS TO ANY 3 1/2" OR 4" STANDARD JUNCTION BOX.
 • CAST ALUMINUM FIXTURES ARE PROVIDED WITH A BRUSHED TO MATCH STAINLESS STEEL HOOD INTERIORS.
 • PROVIDED WITH PLASTIC COATED AND THERMAL SHOCK RESISTANT GLOBES.

SPECIFICATIONS

FIXTURE BODY: CAST ALUMINUM
 SOCKET: PORCELAIN BODY WITH COPPER SHELL
 WIRE LEADS: 6" LONG, 14 AWG
 GASKETS: SILICONE
 GLOBE: CLEAR THERMAL SHOCKPROOF GLASS & PLASTIC COATING.

NOTICE: Underwriters Laboratories standard #57 requires that fixtures in commercial cooking hoods must be mounted a minimum of 4 ft. above the cooking surface.

INCANDESCENT LIGHT FIXTURES



DAMMON ENGINEERING, INC.

EMMETT DAMMON

ARCHITECT ROBERT WILTSE

1095 FLORIDA AVENUE
 SLIDELL, LA. 70458
 985-649-5832

WEBSITE: WWW.DAMMONENGINEERING.COM

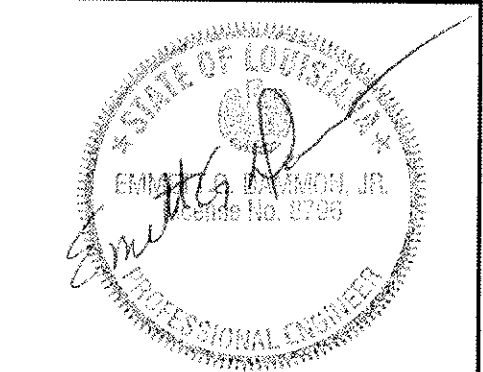
EMAIL: DAMMONENG@BELLSOUTH.NET

ARCHITECTURE
 ENGINEERING
 STUDIES
 PLANNING
 INVESTIGATION
 EXPERT WITNESS

MARCO'S PIZZA TENANT BUILDOUT

532 GAUSE BLVD
 SLIDELL, LA
 70458

HOOD DETAILS



SCALE: AS NOTED

JOB#: 2083

DATE: 11-10-10

SHEET 7

M-3

OF 11