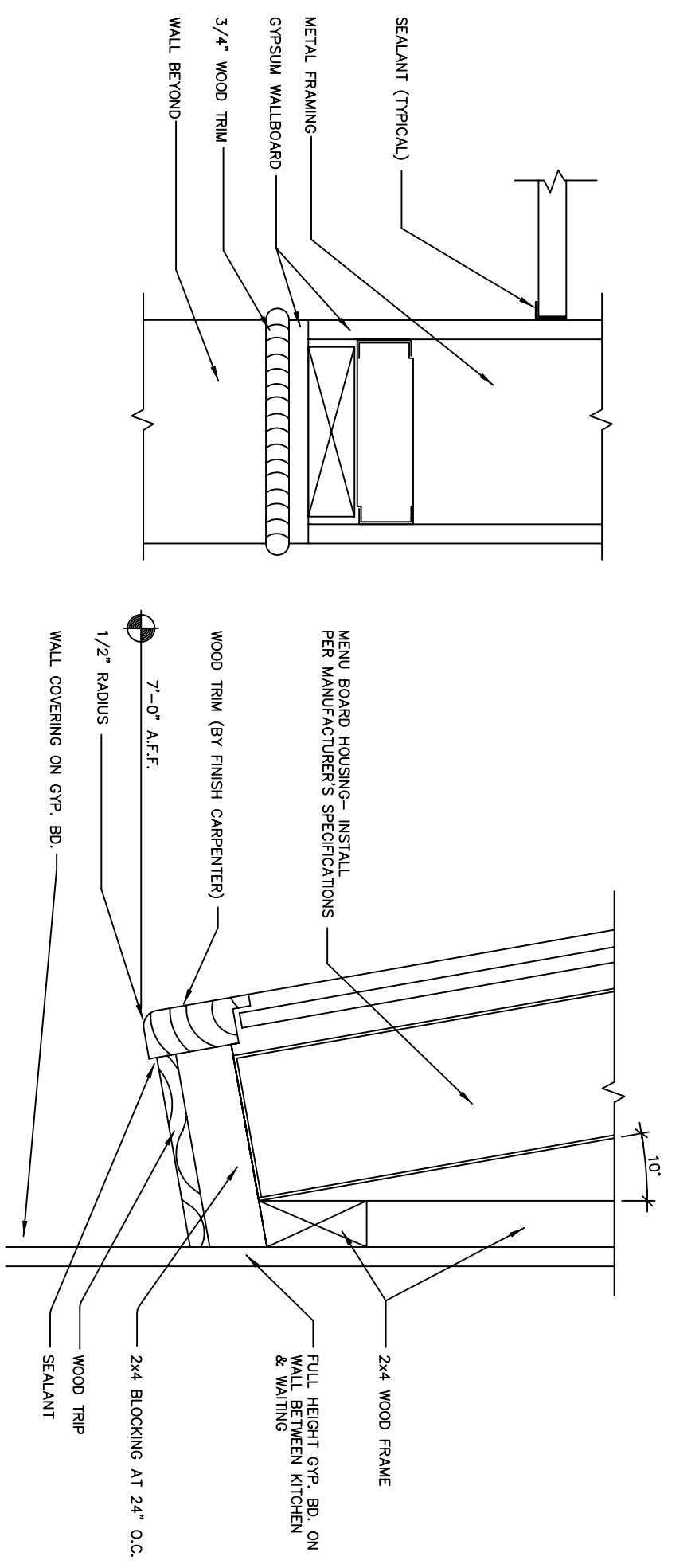
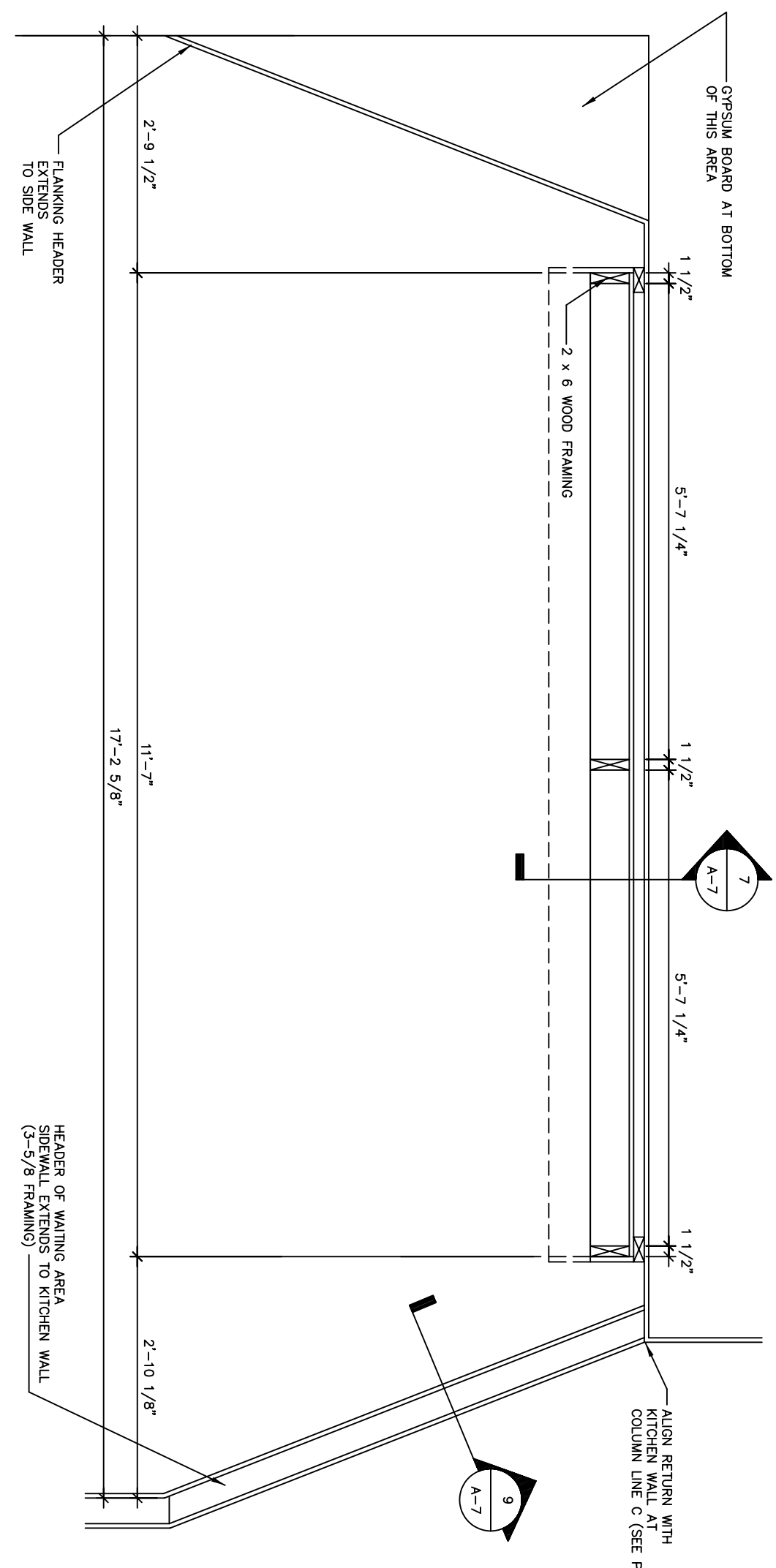


- GENERAL NOTES:**
1. ALL STAINLESS STEEL ITEMS ARE SUPPLIED BY THE OWNER'S STAINLESS STEEL EQUIPMENT SUPPLIER AND SHALL BE FINISHED WITH A BRUSHED FINISH UNLESS OTHERWISE NOTED.
 2. PENETRATIONS THROUGH WALL AT COLUMN LINE 'C' SHALL BE SEALED.
 3. EXTERIOR OPSUM WALLBOARD TIGHT TO ROOF DECK WHERE SHOWN AND SEAL.
 4. FOLLOW ROOM FINISH SCHEDULE FOR WALL FINISHES.

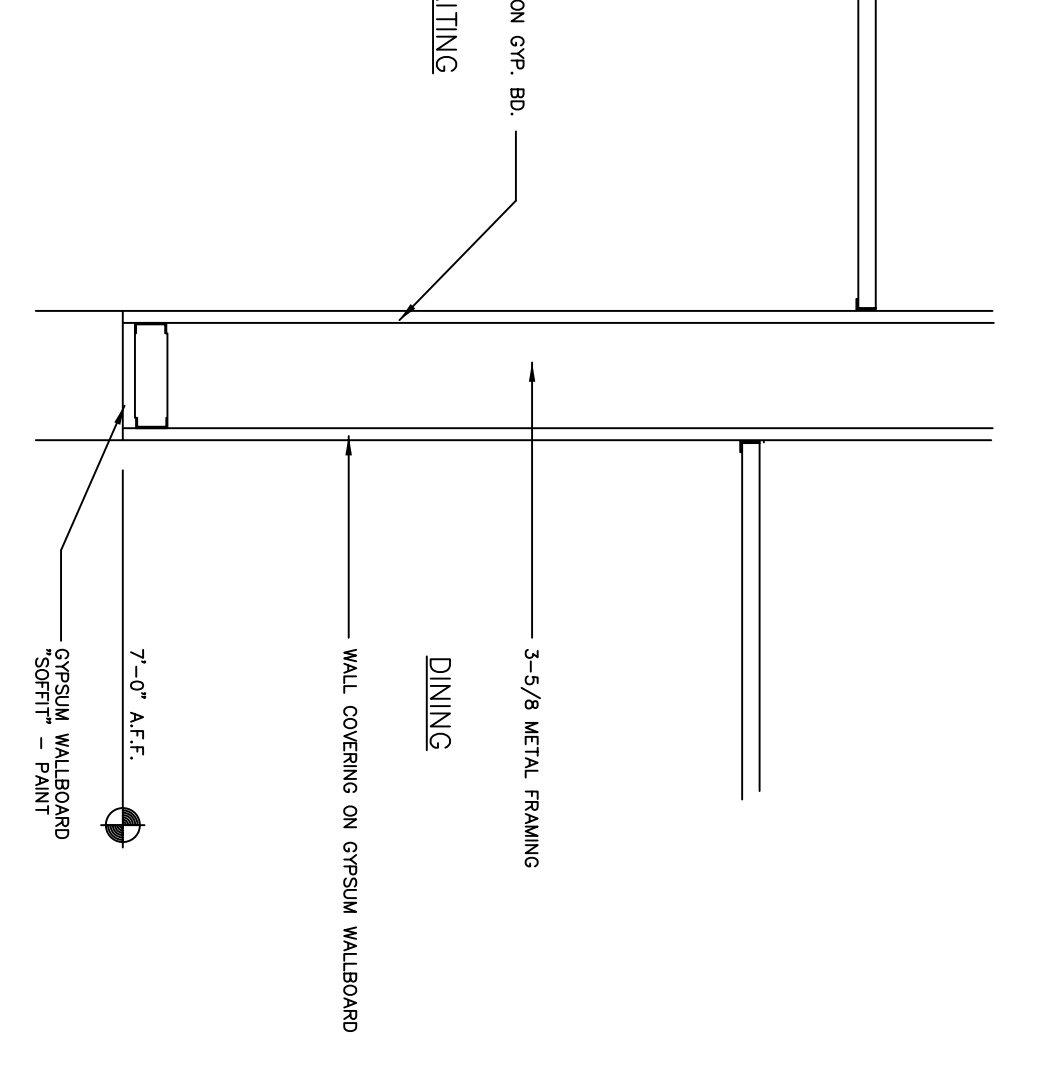


6 TRIM DETAIL
SCALE: 3" = 1'-0"

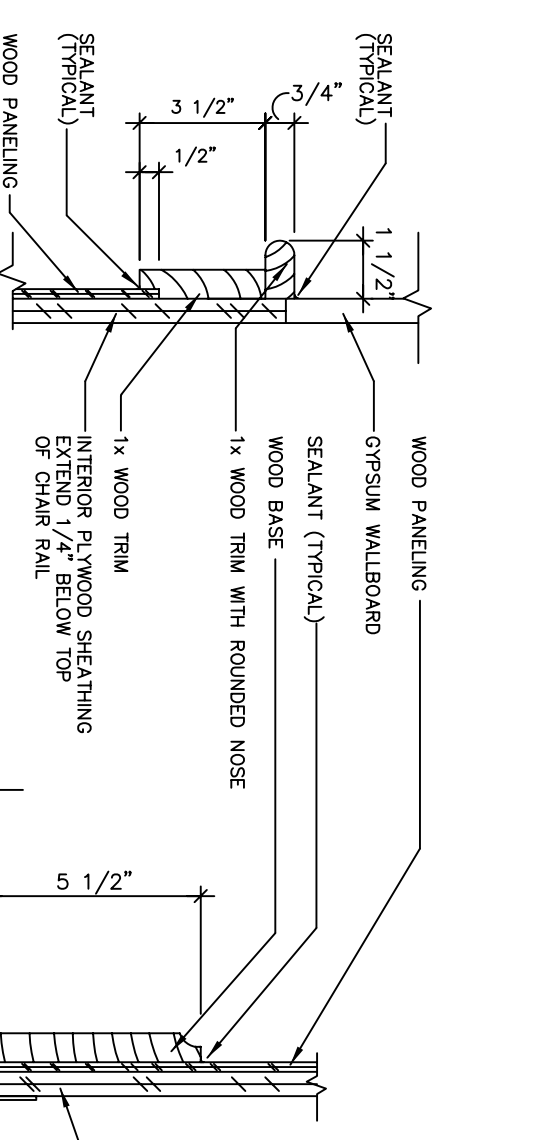
7 MENU BOARD DETAIL
SCALE: 3" = 1'-0"



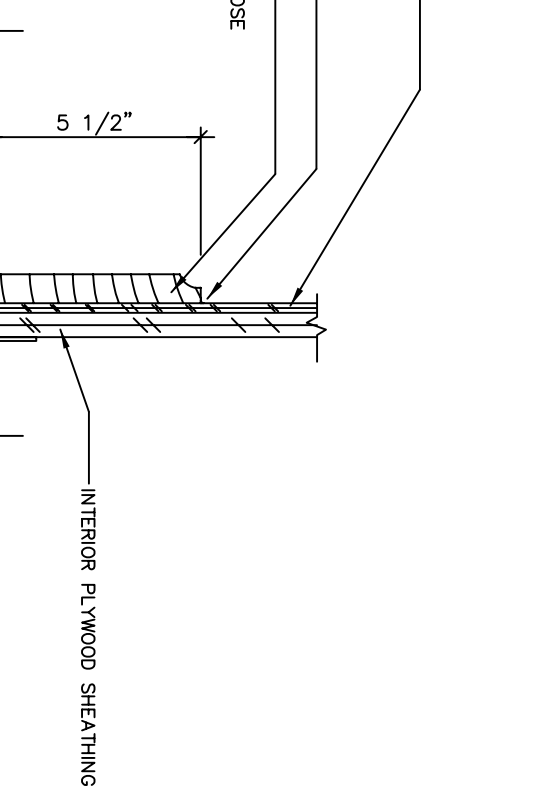
8 MENU BOARD PLAN VIEW
SCALE: 3/4" = 1'-0"
NOTE: SEE ELEVATIONS FOR FINISHES AND MATERIALS.



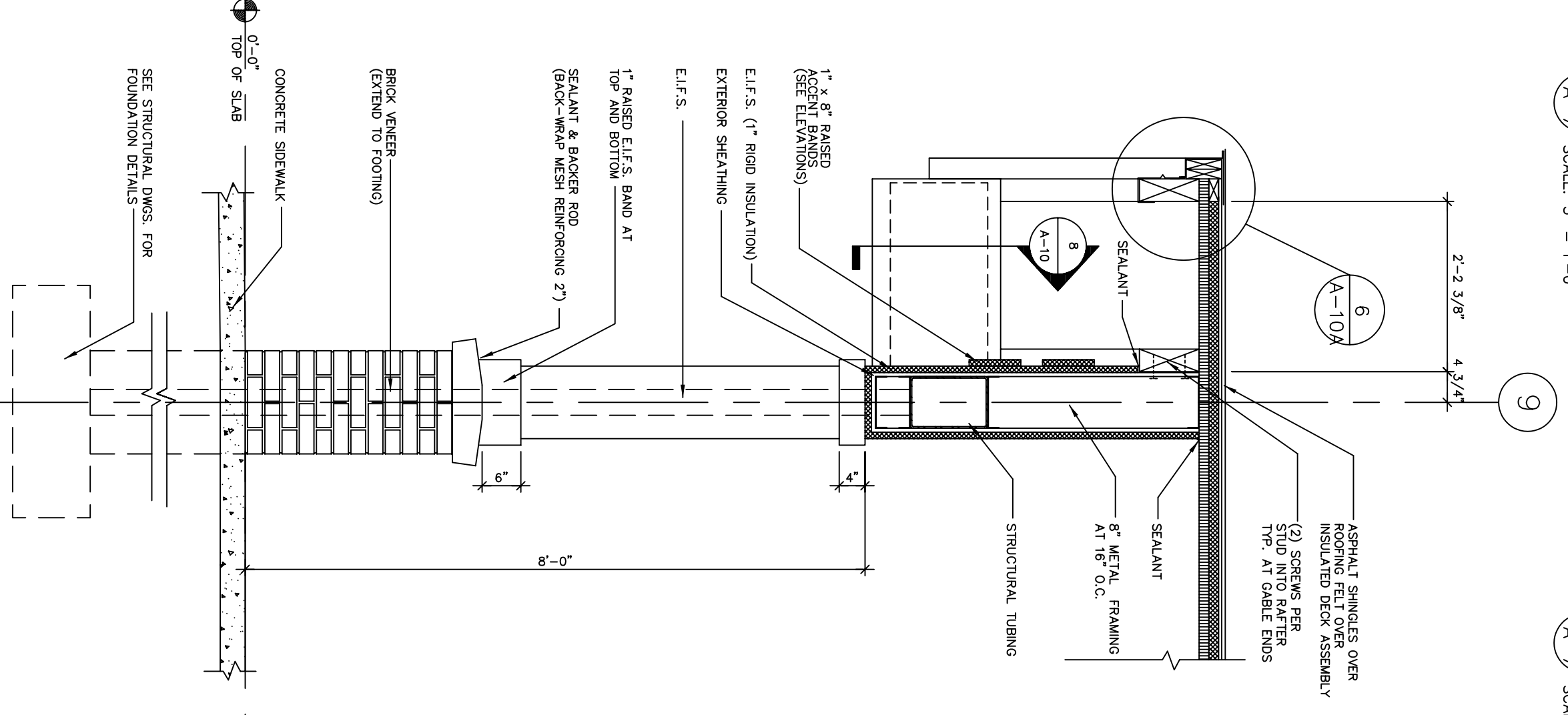
9 BULKHEAD SECTION
SCALE: 1 1/2" = 1'-0"



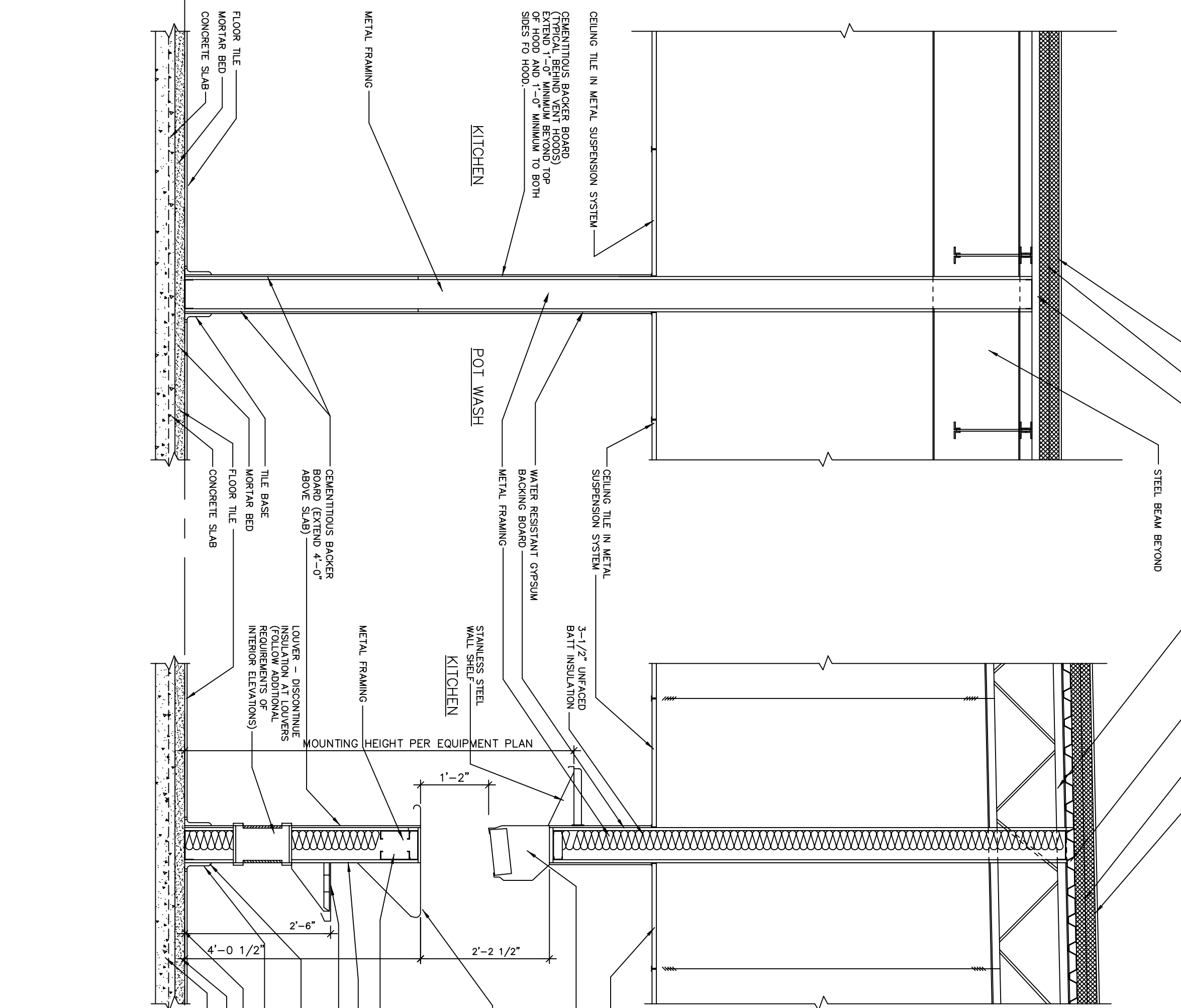
9 CHAIR RAIL DETAIL
SCALE: 3" = 1'-0"



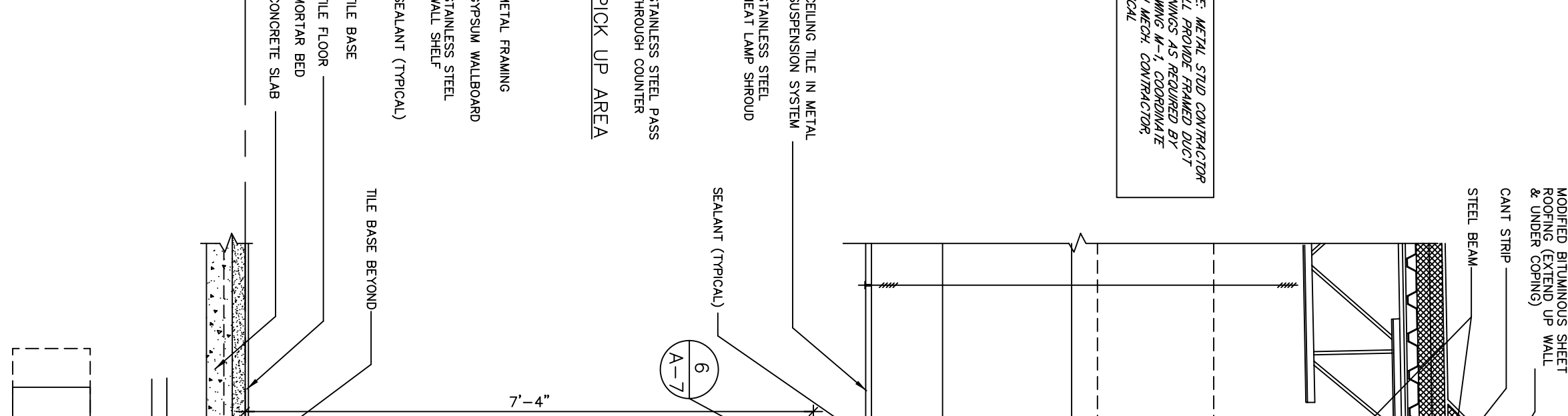
10 WOOD BASE DETAIL
SCALE: 3" = 1'-0"



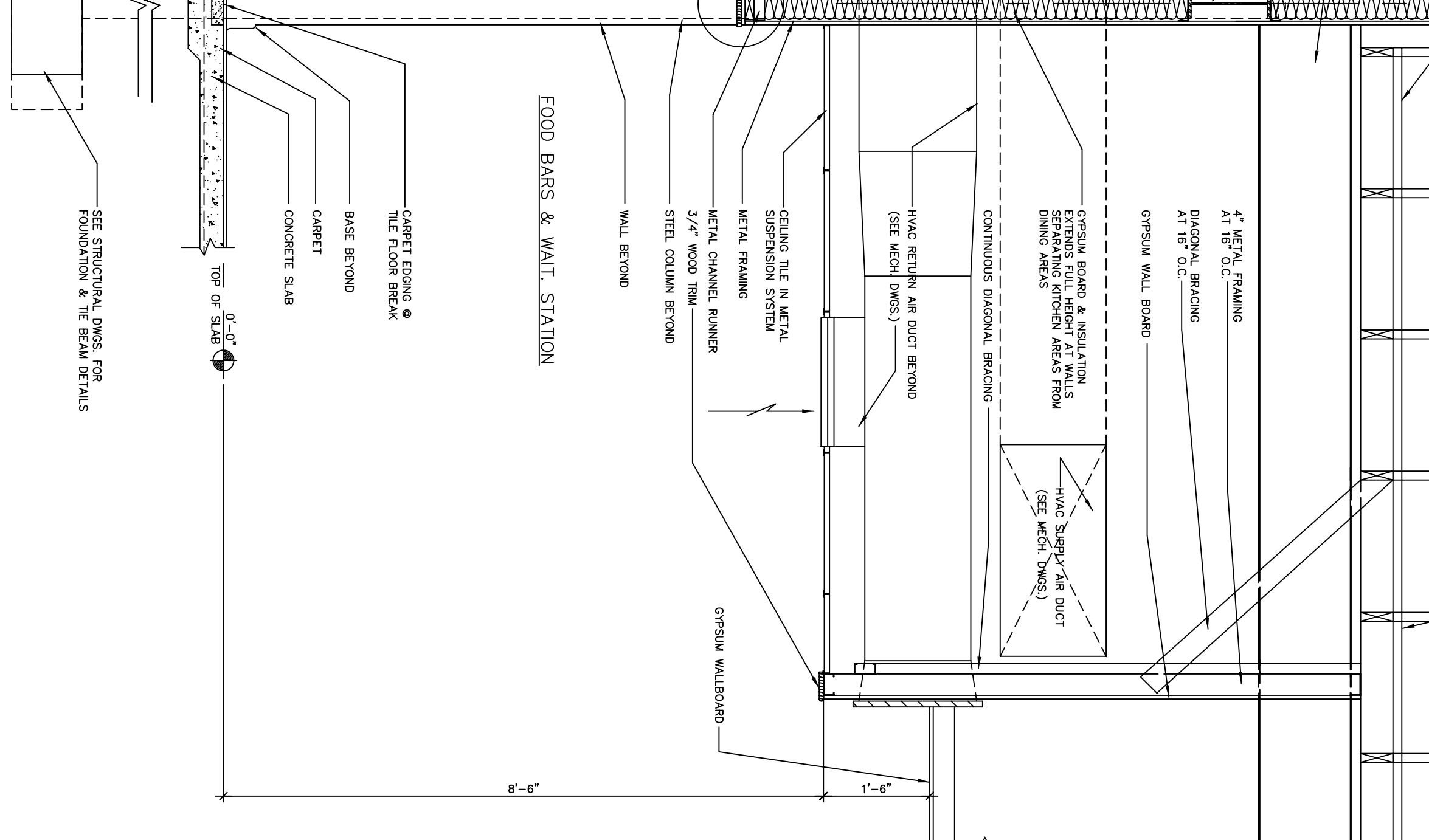
1 WALL SECTION
SCALE: 3/4" = 1'-0"



2 WALL SECTION
SCALE: 3/4" = 1'-0"



3 WALL SECTION
SCALE: 3/4" = 1'-0"



4 WALL SECTION
SCALE: 3/4" = 1'-0"

NOTE: METAL STUD CONSTRUCTION SHALL BE USED THROUGHOUT. ALL PENETRATIONS THROUGH WALL SHALL BE SEALED. SEE ELEVATIONS FOR FINISHES AND MATERIALS.

NOTE: METAL STUD CONSTRUCTION SHALL BE USED THROUGHOUT. ALL PENETRATIONS THROUGH WALL SHALL BE SEALED. SEE ELEVATIONS FOR FINISHES AND MATERIALS.

REVISIONS

REV.	DESCRIPTION	DATE	BY

RYAN'S FAMILY STEAK HOUSES, INC.
159 WEST STREET - DENVER, CO. 80202 - (303) 733-1000

Ryan's
FAMILY STEAK HOUSE

INTERIOR WALL SECTIONS

DESIGNED: R.A.D. DATE: 05-11-99
STORE TYPE DRAWING NO.
PT9 A-7