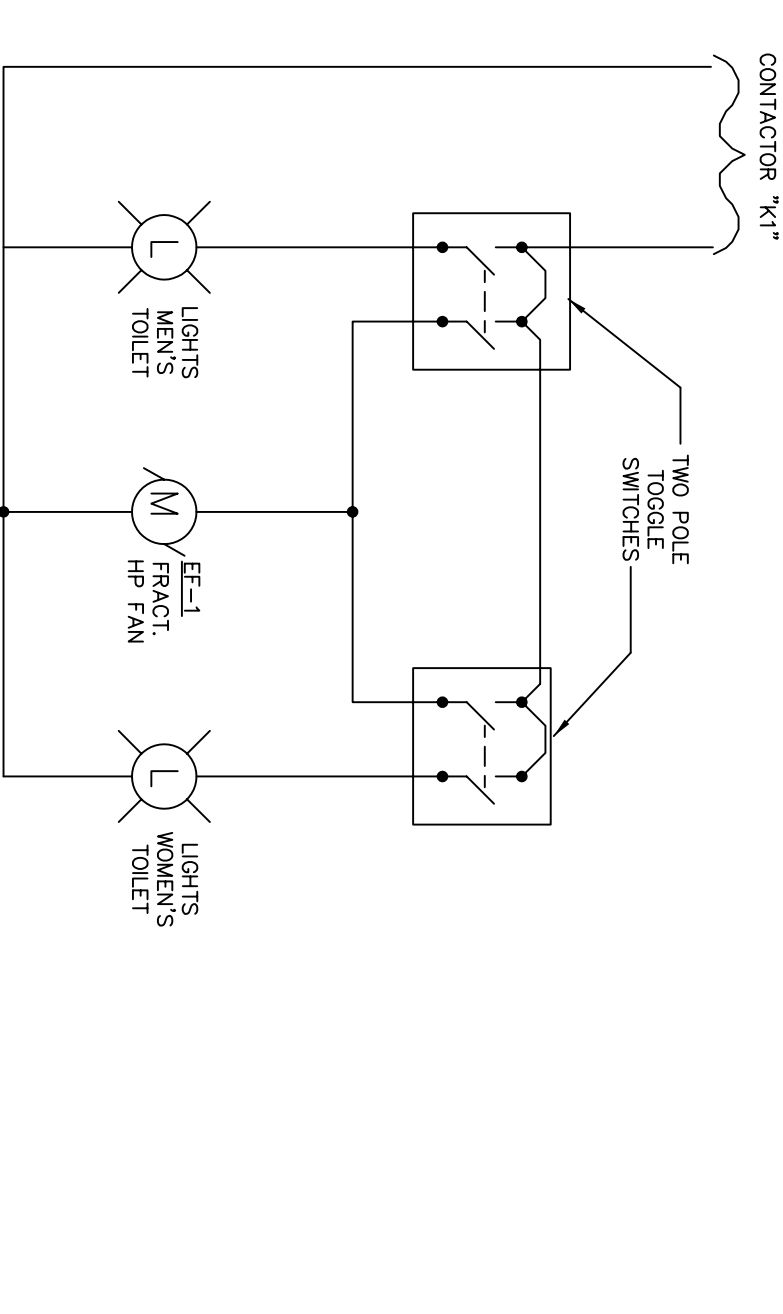


GENERAL NOTES:

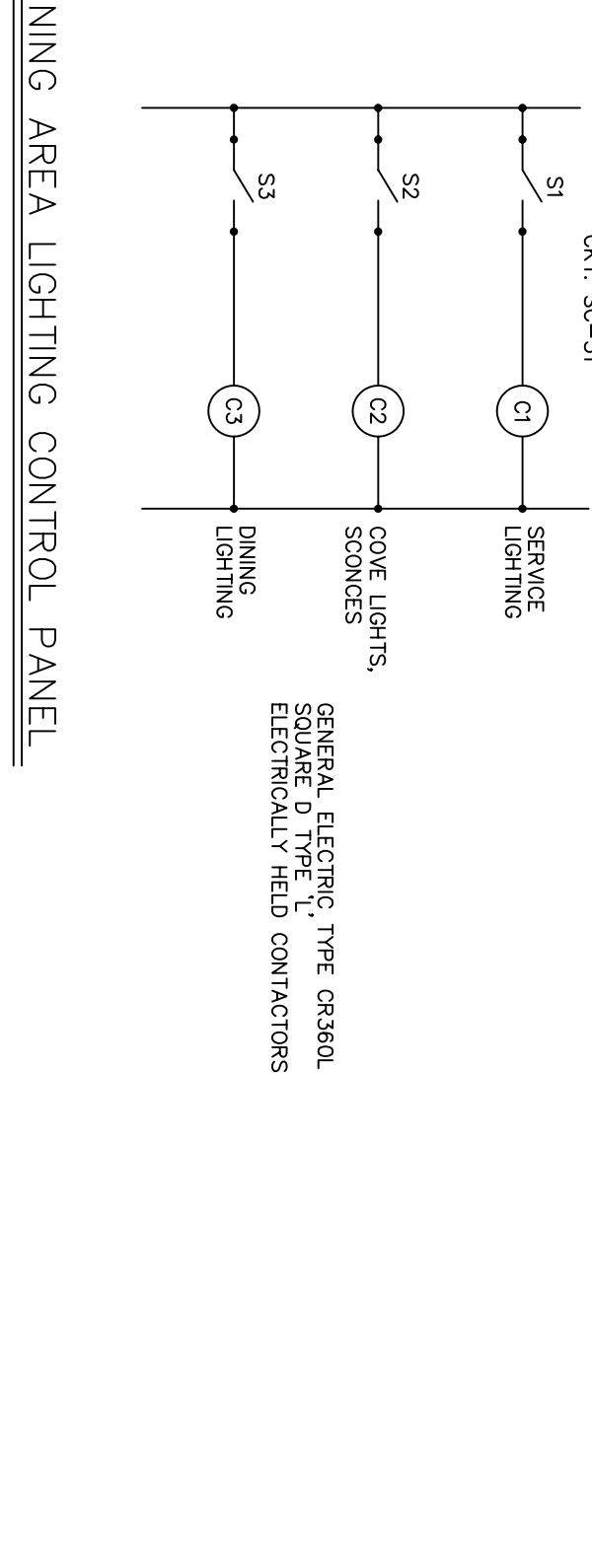
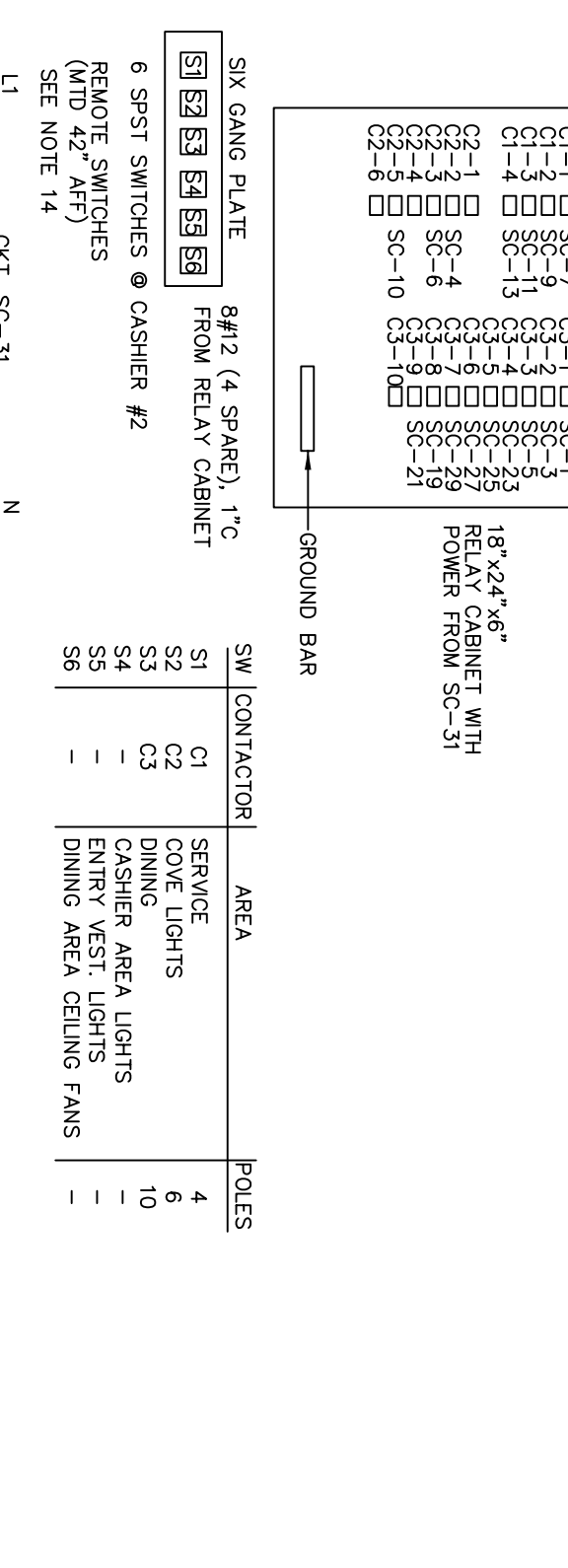
1. INSTALL IN ACCORDANCE WITH LATEST NEC.
2. INDIVIDUAL RACKWAYS W/ HARMERS ARE NOT SPACED. IT IS THE INTENT OF THESE DRAWINGS EXACT ROUTING OF RACKWAYS, LOCATION, SIZE, BUNDLING OF MULTIPLE CIRCUITS IN RACKWAYS, ETC. SHALL BE DETERMINED BY THE ELECTRICAL ENGINEER.
3. BONES SHALL BE MADE USING CONDUCTORS FOR THE ENTIRE LENGTH OF THE BONE. THE BONE SHALL NOT BE USED TO TAP OR SOLDER THE RIGHT BOX. CONDUCTORS SHALL BE IDENTIFIED BY LETTERS-NUMBERS (FOR EX. A-1) BEFORE RIGHT INDICATE THE PHASE AND C&P ID.
4. ONLY ONE CONDUCTOR SHALL BE TERMINATED AT BREAKER OR FUSES SWITCH UNLESS SPECIFICALLY LISTED FOR MULTIPLE CONDUCTORS.
5. NOT USED
6. NOTE ANY FIELD CHANGES ON RECORD DWGS.
7. GASETTED FITTINGS SHALL BE USED WITH NEMA 3R DEVICES.
8. LV WIRING IN RETURN AIR SPACES SHALL BE PERMITTED.
9. ALL CONDUIT SHALL BE USED TO CONNECT ALL DEVICES TO THE ELECTRICAL PANEL. WHERE OUTDOORS OR EXPOSED TO WEATHER, FLEX SHALL BE USED.
10. ANY SPOT WIRING OF A SW OR OUTDOORS SHALL BE PROTECTED UNO.
11. A 6" O.D. OF #6 BARE COPPER CONDUCTOR SHALL BE PROVIDED AT THE TELEPHONE PANEL.
12. WIRING SHOULD COVER PLATES, LIGHT FIXTURES, REFLECTORS & LENS, PANELBOARD COVERS, ETC. SHALL BE IDENTIFIED WITH LETTERS-NUMBERS, FINGERPRINTS, STRIPS, ETC.
13. CONTRACTOR SHALL PROVIDE FINISH LEVY UNIFORMITY, PREPARATION.



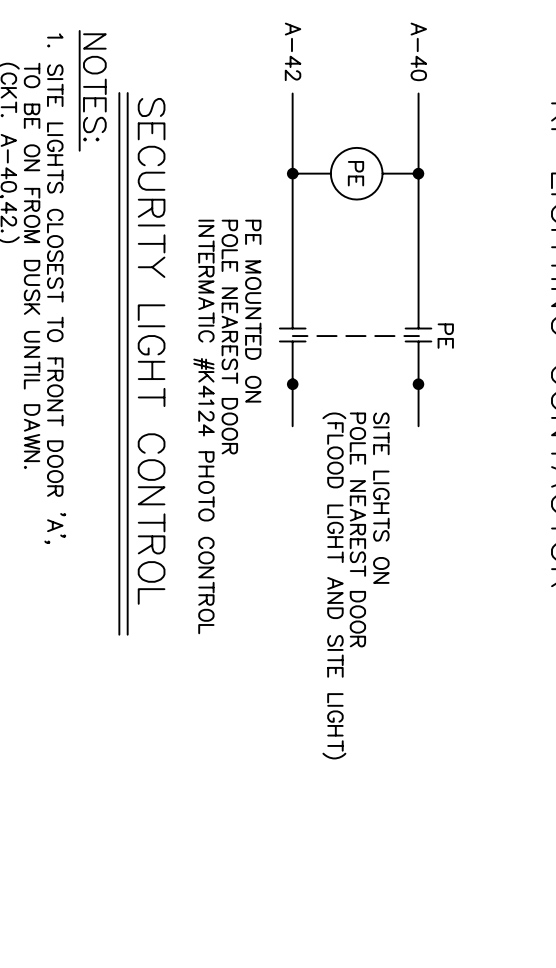
EMPLOYEE TOILETS EXHAUST FAN WIRING DETAIL

ELECTRICAL LEGEND

SYMBOL	DESCRIPTION	MFG. HP. TO CENTRALLINE
A-DR-1	RECESSED FLUORESCENT LIGHTING FIXTURE (2' X 4' INDICATES FIXTURE TYPE, DR-1 INDICATES PANEL DR, OKT 1)	70" A.F.F. (UNO)
□	SLASH IN FIXTURE INDICATES FIXTURE IS EQUIPPED WITH INTEGRAL BATTERY BACKUP FOR USE AS EMERGENCY LIGHTING. PROVIDE UNBURNED LEG OR COWL LIGHTING CIRCUIT TO EMERGENCY SW. FIXTURE SHOWN IN MANUAL.	WALL LFTS 70" A.F.F. (UNO)
○	SHAPOW INDICATES FIXTURE WIRED UNSWITCHED FOR USE AS NIGHT LIGHTING.	70" A.F.F. (UNO)
○	DISTRIBUTION PANELBOARD	70" A.F.F. (UNO)
○	WALL SCONCE	70" A.F.F. (UNO)
○	CEILING FAN	70" A.F.F. (UNO)
○	RECESSED INCANDESCENT OR HLD. LIGHTING FIXTURE	70" A.F.F. (UNO)
○	SINGLE FACED EXIT LIGHT, CENTER OVER HEADER FIXTURE	70" A.F.F. (UNO)
○	COMBINATION EMERGENCY LIGHT AND SINGLE FACED EXIT LIGHT INDICATE TRAVEL DIRECTION WHEN SHOWN.	WALL LFTS 70" A.F.F. (UNO)
○	THIN HEAD EMERGENCY LIGHT	70" A.F.F. (UNO)
○	DOUBLE FACED EXIT LIGHT, UNIVERSAL MOUNT (CEILING OR WALL MOUNT AS SHOWN). ARROWS INDICATE TRAVEL DIRECTION.	14" A.F.F. (UNO)
○	DUPLEX 20A RECEPTACLE (LETTER & NUMBER ADJACENT TO RECEPTACLE INDICATES CIRCUIT I.D. WHEN SHOWN WP=WEATHER PROOF RECEPTACLE.	44" A.F.F. (UNO)
○	DUPLEX 20A RECEPTACLE AT SPECIAL WTC. HEIGHTS	44" A.F.F. (UNO)
○	SPECIAL PURPOSE RECEPTACLE, VOLTS. AND AMP'S AS NOTED. NEMA CONFIGURATION AS REQUIRED BY EQUIPMENT.	44" A.F.F. (UNO)
○	GROUND FAULT PROTECTED RECEPTACLE 20A SINGLE	14" A.F.F. (UNO)
○	OR GFI	
○	FUSIBLE SAFETY SWITCH, "30" INDICATES AMP RATING, "20" INDICATES FUSE SIZES, "3P" INDICATES NUMBER OF POLES. ENCLOSURE TO BE NEMA 1 UNLESS NOTED OTHERWISE. (CR-XLTC).	48" A.F.F. (UNO)
○	UNO RATED TOGGLE SWITCH DISCONNECTING MEANS FOR FUNCTIONAL HP. 120V MOTOR, WITH COILING MEANS IN "OFF" POSITION	48" A.F.F. (UNO)
○	MANUAL MOTOR STARTING SWITCH (WP=NEMA 3R WEATHERPROOF, T=THERMAL TYPE)	48" A.F.F. (UNO)
○	SINGLE-POLE SWITCH (K=KEY OPERATED, P=WITH PILOT LIGHT, WP=NEMA 3R WEATHERPROOF DEVICE, P=2=2-POLE, SINGLE THROW)	48" A.F.F. (UNO)
○	HARD WIRED EQUIPMENT CONNECTION/JP	48" A.F.F. (UNO)
○	JUNCTION BOX (JB) - SIZED PER NEC, UNO	48" A.F.F. (UNO)
○	PUSH BUTTON	48" A.F.F. (UNO)
○	PHOTO ELECTRIC CELL	48" A.F.F. (UNO)
○	VOLUME CONTROL FOR PA SPEAKER	48" A.F.F. (UNO)
○	SPEAKER FOR PA SYSTEM	48" A.F.F. (UNO)
○	BELL, TYPE AS NOTED ON PLANS	48" A.F.F. (UNO)
○	TELEPHONE OUTLET	48" A.F.F. (UNO)
○	GROUND FAULT INTERRUPTER (RECEPTACLE)	48" A.F.F. (UNO)
○	WATER HEATER	48" A.F.F. (UNO)
○	ABOVE FINISHED FLOOR	48" A.F.F. (UNO)
○	ABOVE FINISHED GRADE	48" A.F.F. (UNO)
○	UNLESS NOTED OTHERWISE	48" A.F.F. (UNO)
○	FURNISHED WITH EQUIPMENT	48" A.F.F. (UNO)
○	CONTRACTOR TO FURNISH CORP & PLUG AND MAKE FINAL CONNECTIONS.	48" A.F.F. (UNO)
○	ISOLATED GROUND	48" A.F.F. (UNO)



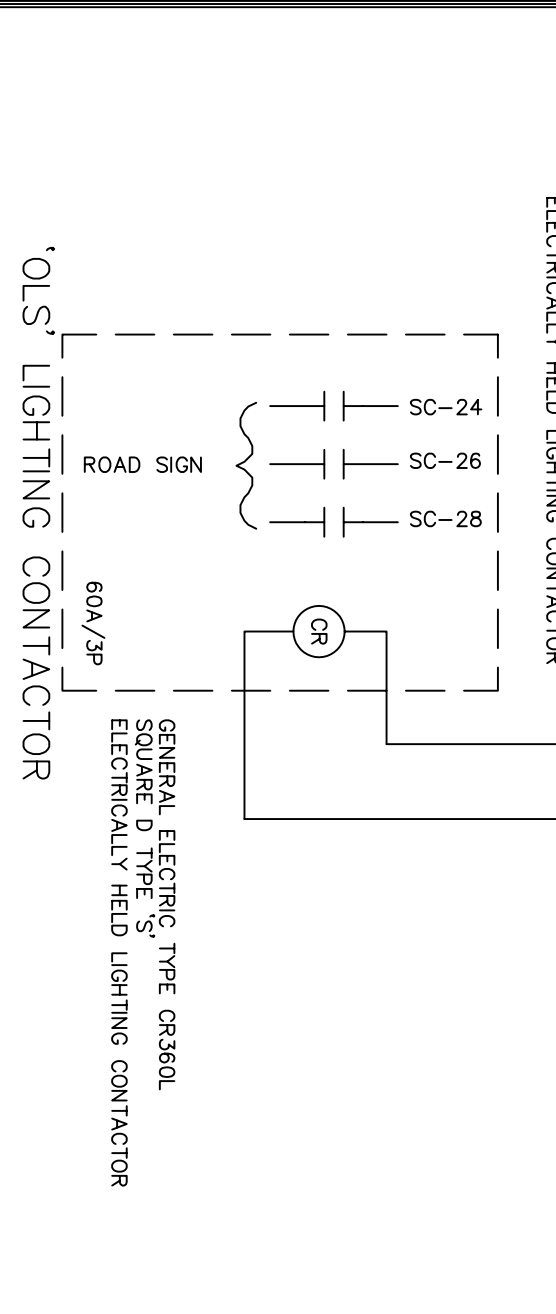
DINING AREA LIGHTING CONTROL PANEL



KI LIGHTING CONTROL

- NOTES:
1. THE SWITCHES CLOSEST TO FRONT DOOR X, TO BE ON FROM DOOR UNIL DOWN (OKT. A-40,42)
 2. OUTSIDE BUILDING LIGHTS, AND ALL OTHER SITE LIGHTS TO BE ON FROM DOOR UNIL DOWN (OKT. A-40,42)
 3. CONTRACTORS, PHOTOCELLS, AND THE CLOCKS TO BE FINISHED BY ELECTRICAL CONTRACTOR.

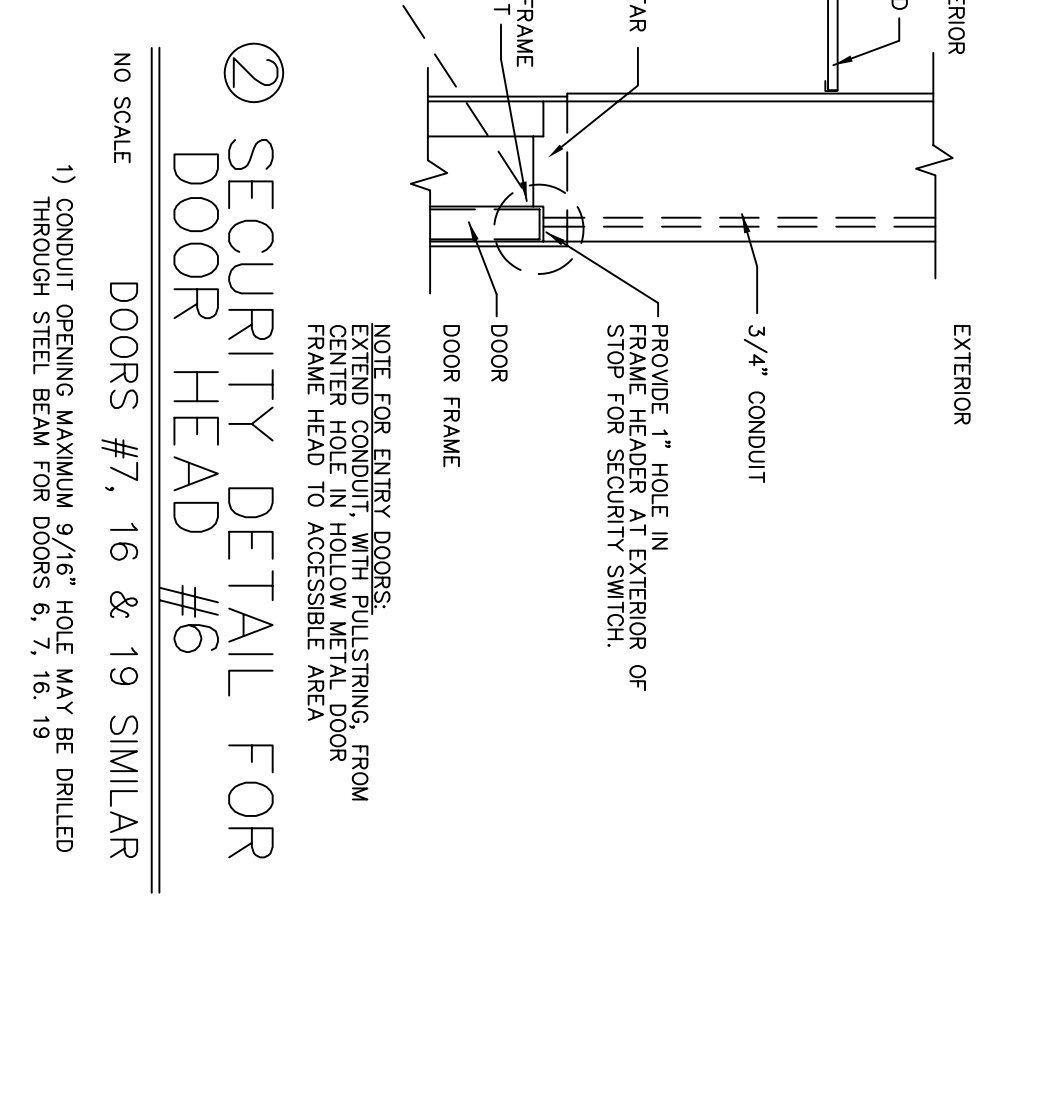
SECURITY LIGHT CONTROL



OL LIGHTING CONTROL

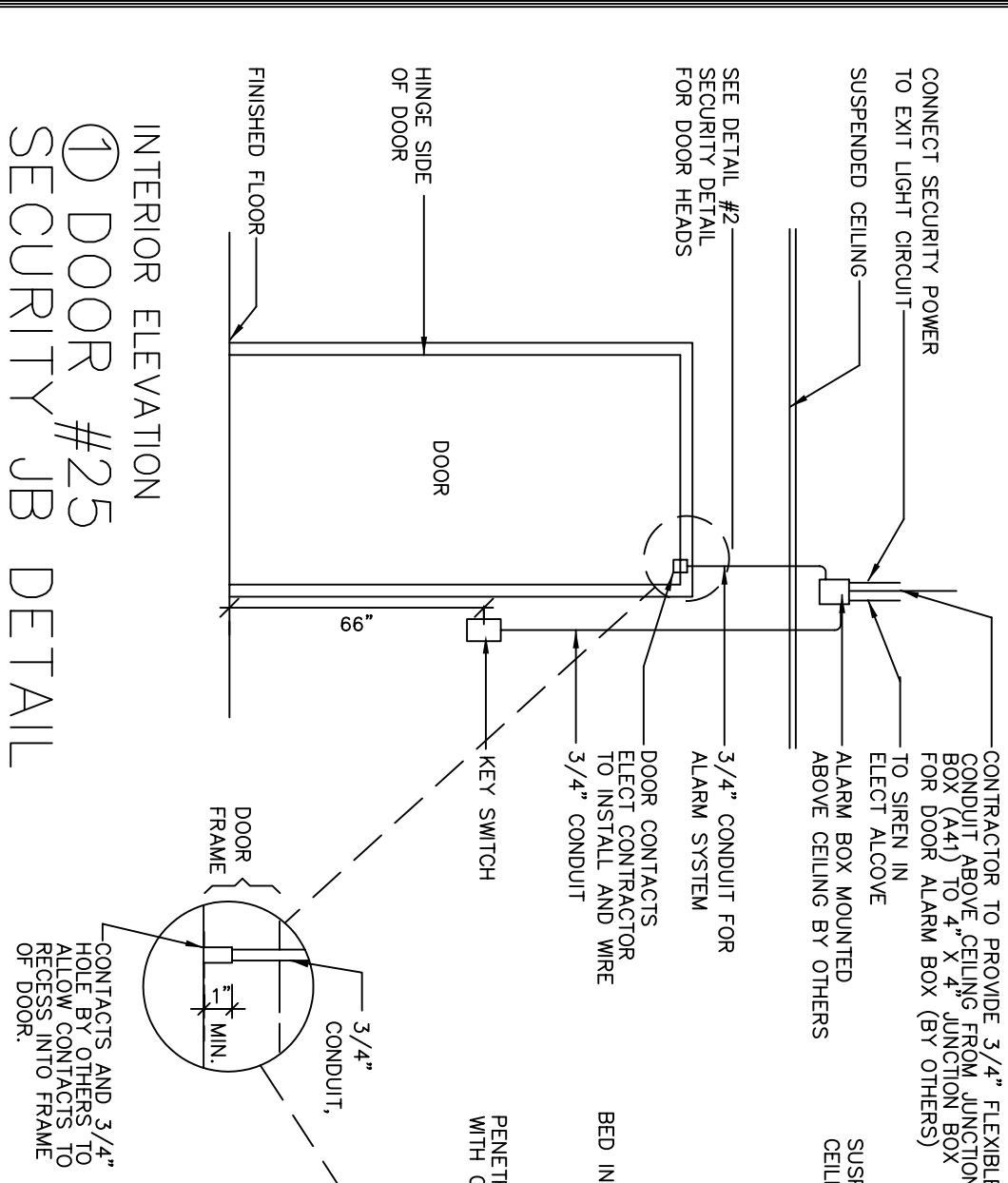
- NOTES:
1. CONTRACTOR TO PROVIDE 3/4" FLEXIBLE BOX (44) FOR 3/4" CONDUIT (FUNCTION BOX) FOR DOOR ALARM BOX (BY OTHERS)
 2. ALARM BOX MOUNTED ABOVE CEILING BY OTHERS
 3. 3/4" CONDUIT FOR DOOR CONTACTS TO INSTALL AND WIRE TO DOOR HEADS
 4. SEE DETAIL #2 FOR DOOR HEADS
 5. SUSPENDED CEILING
 6. CONNECT SECURITY POWER TO EXIT LIGHT CIRCUIT

LIGHTING CONTROL DIAGRAMS



SECURITY DETAIL FOR DOOR HEAD #6

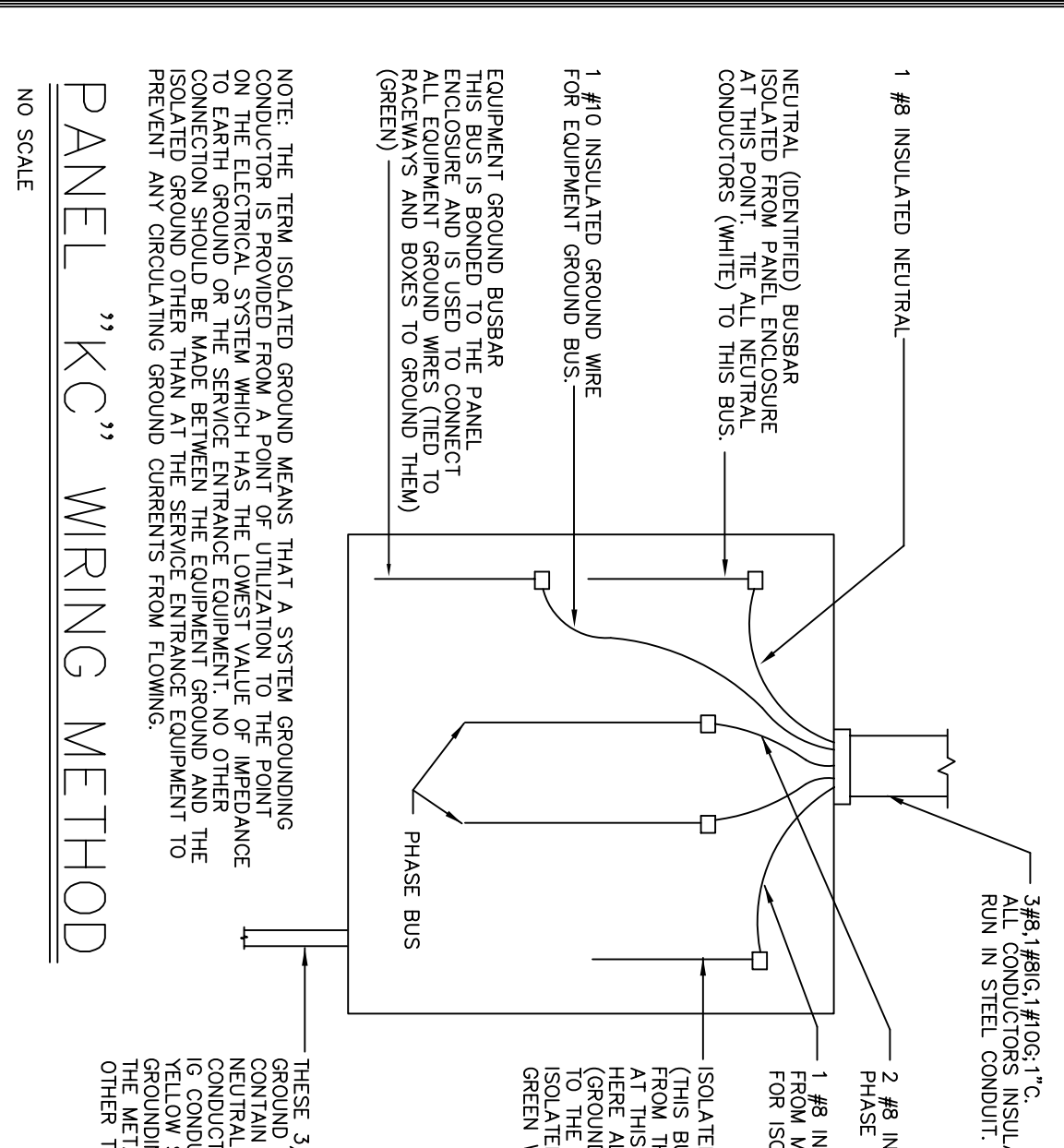
- NOTES:
1. CONDUIT OPENING MAXIMUM 9/16" HOLE MAY BE DRILLED THROUGH STEEL BEAM FOR DOORS 6, 7, 16, 19



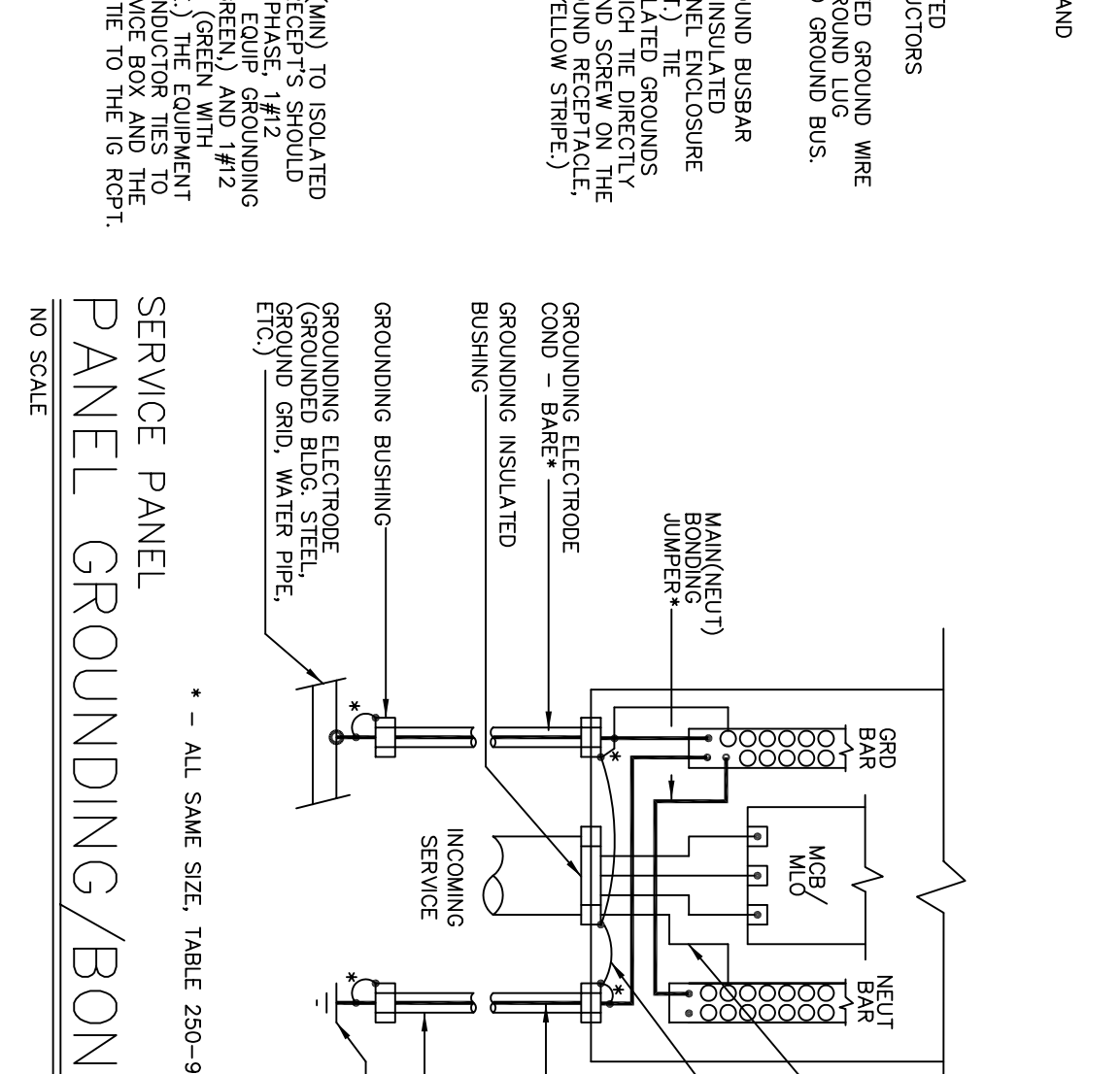
INTERIOR ELEVATION SECURITY JB DETAIL

- NOTES:
1. #8 INSULATED NEUTRAL
 2. #8 INSULATED NEUTRAL
 3. #8 INSULATED NEUTRAL
 4. #8 INSULATED NEUTRAL
 5. #8 INSULATED NEUTRAL
 6. #8 INSULATED NEUTRAL
 7. #8 INSULATED NEUTRAL
 8. #8 INSULATED NEUTRAL
 9. #8 INSULATED NEUTRAL
 10. #8 INSULATED NEUTRAL
 11. #8 INSULATED NEUTRAL
 12. #8 INSULATED NEUTRAL
 13. #8 INSULATED NEUTRAL
 14. #8 INSULATED NEUTRAL
 15. #8 INSULATED NEUTRAL
 16. #8 INSULATED NEUTRAL
 17. #8 INSULATED NEUTRAL
 18. #8 INSULATED NEUTRAL
 19. #8 INSULATED NEUTRAL
 20. #8 INSULATED NEUTRAL
 21. #8 INSULATED NEUTRAL
 22. #8 INSULATED NEUTRAL
 23. #8 INSULATED NEUTRAL
 24. #8 INSULATED NEUTRAL
 25. #8 INSULATED NEUTRAL
 26. #8 INSULATED NEUTRAL
 27. #8 INSULATED NEUTRAL
 28. #8 INSULATED NEUTRAL
 29. #8 INSULATED NEUTRAL
 30. #8 INSULATED NEUTRAL
 31. #8 INSULATED NEUTRAL
 32. #8 INSULATED NEUTRAL
 33. #8 INSULATED NEUTRAL
 34. #8 INSULATED NEUTRAL
 35. #8 INSULATED NEUTRAL
 36. #8 INSULATED NEUTRAL
 37. #8 INSULATED NEUTRAL
 38. #8 INSULATED NEUTRAL
 39. #8 INSULATED NEUTRAL
 40. #8 INSULATED NEUTRAL
 41. #8 INSULATED NEUTRAL
 42. #8 INSULATED NEUTRAL
 43. #8 INSULATED NEUTRAL
 44. #8 INSULATED NEUTRAL
 45. #8 INSULATED NEUTRAL
 46. #8 INSULATED NEUTRAL
 47. #8 INSULATED NEUTRAL
 48. #8 INSULATED NEUTRAL
 49. #8 INSULATED NEUTRAL
 50. #8 INSULATED NEUTRAL
 51. #8 INSULATED NEUTRAL
 52. #8 INSULATED NEUTRAL
 53. #8 INSULATED NEUTRAL
 54. #8 INSULATED NEUTRAL
 55. #8 INSULATED NEUTRAL
 56. #8 INSULATED NEUTRAL
 57. #8 INSULATED NEUTRAL
 58. #8 INSULATED NEUTRAL
 59. #8 INSULATED NEUTRAL
 60. #8 INSULATED NEUTRAL
 61. #8 INSULATED NEUTRAL
 62. #8 INSULATED NEUTRAL
 63. #8 INSULATED NEUTRAL
 64. #8 INSULATED NEUTRAL
 65. #8 INSULATED NEUTRAL
 66. #8 INSULATED NEUTRAL
 67. #8 INSULATED NEUTRAL
 68. #8 INSULATED NEUTRAL
 69. #8 INSULATED NEUTRAL
 70. #8 INSULATED NEUTRAL
 71. #8 INSULATED NEUTRAL
 72. #8 INSULATED NEUTRAL
 73. #8 INSULATED NEUTRAL
 74. #8 INSULATED NEUTRAL
 75. #8 INSULATED NEUTRAL
 76. #8 INSULATED NEUTRAL
 77. #8 INSULATED NEUTRAL
 78. #8 INSULATED NEUTRAL
 79. #8 INSULATED NEUTRAL
 80. #8 INSULATED NEUTRAL
 81. #8 INSULATED NEUTRAL
 82. #8 INSULATED NEUTRAL
 83. #8 INSULATED NEUTRAL
 84. #8 INSULATED NEUTRAL
 85. #8 INSULATED NEUTRAL
 86. #8 INSULATED NEUTRAL
 87. #8 INSULATED NEUTRAL
 88. #8 INSULATED NEUTRAL
 89. #8 INSULATED NEUTRAL
 90. #8 INSULATED NEUTRAL
 91. #8 INSULATED NEUTRAL
 92. #8 INSULATED NEUTRAL
 93. #8 INSULATED NEUTRAL
 94. #8 INSULATED NEUTRAL
 95. #8 INSULATED NEUTRAL
 96. #8 INSULATED NEUTRAL
 97. #8 INSULATED NEUTRAL
 98. #8 INSULATED NEUTRAL
 99. #8 INSULATED NEUTRAL
 100. #8 INSULATED NEUTRAL

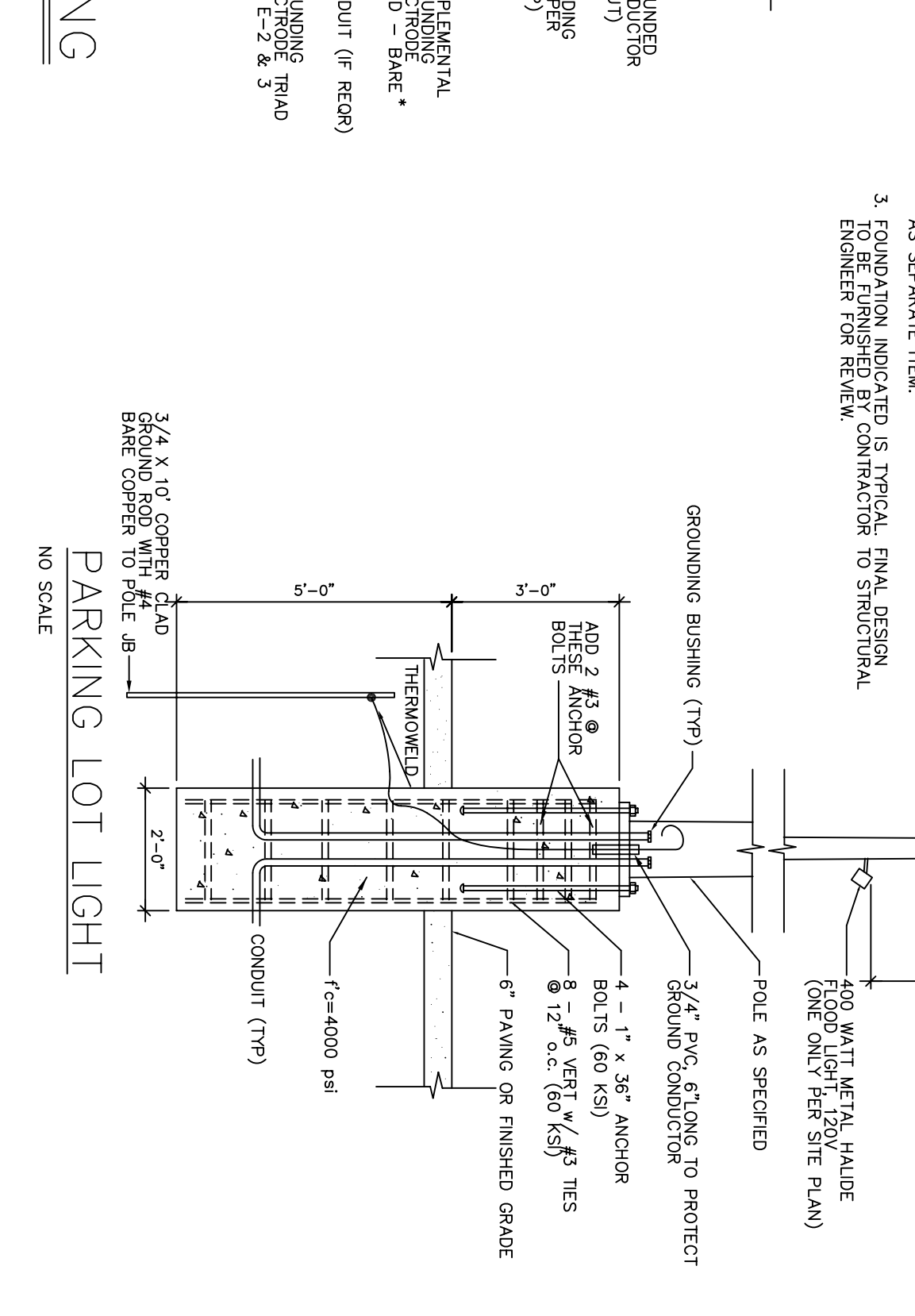
PANEL "KC" WIRING METHOD



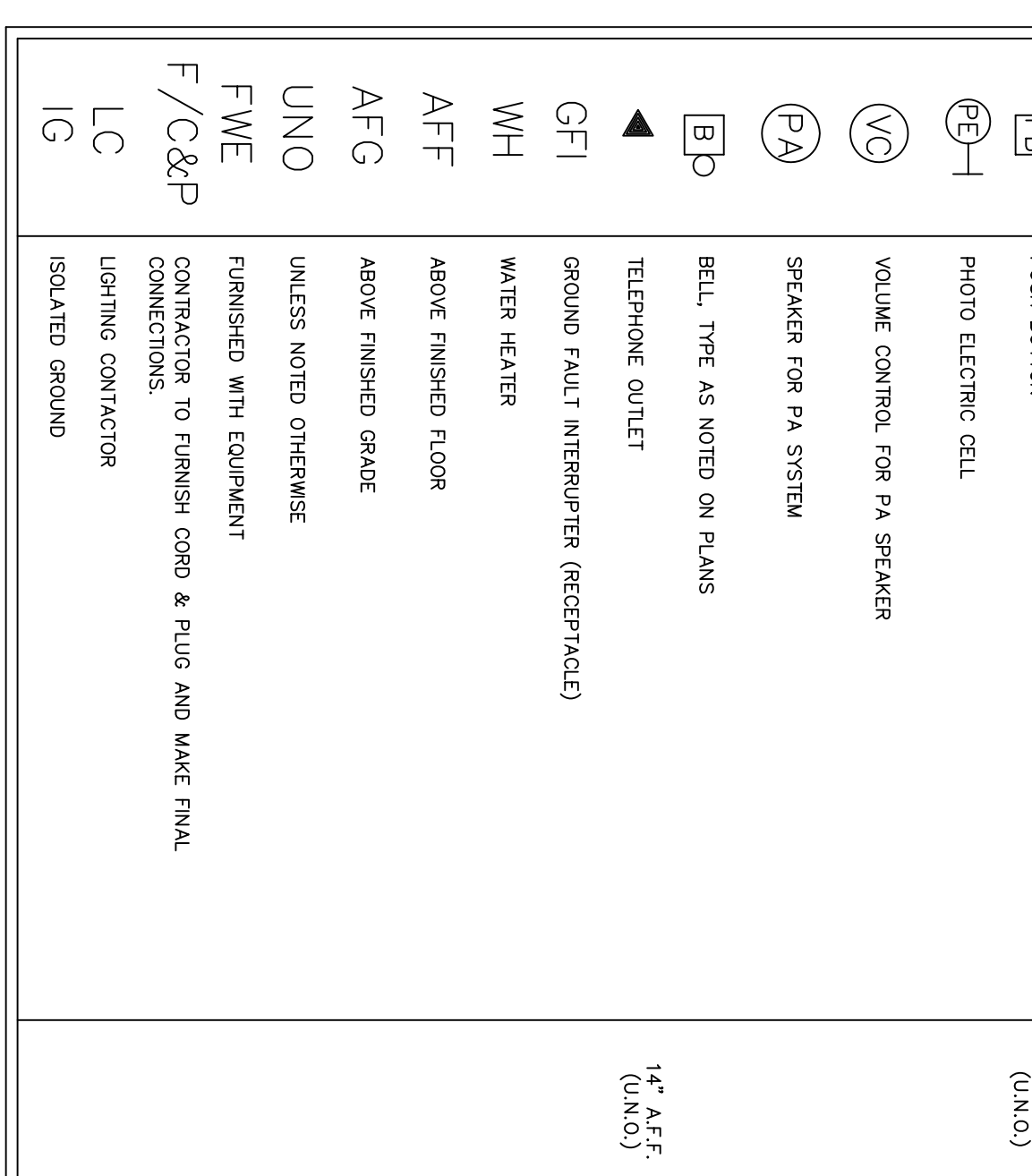
PANEL "KC" WIRING METHOD



SERVICE PANEL PANEL GROUNDING/BONDING



SUB-PANEL PANEL GROUNDING/BONDING



PARKING LOT LIGHT

REV.	DESCRIPTION	DATE	BY
A			RSB

RYAN'S FAMILY STEAK HOUSE
 RYAN'S FAMILY STEAK HOUSES, INC.
 400 WOODBURY AVE. • SANTA ANA, CALIF. 92705 • (949) 979-0100

ELECTRICAL DETAILS
 DESIGNED: R.A.D. DATE: 05-26-92
 STORE TYPE DRAWING NO. PT9L E-4