

FINISH SCHEDULE

ROOM	FLOOR					BASE				WALLS				CEILING			NOTES			
	CONCRETE	6" HARD PINE WD	BRICK	12"x12" CERAMIC TILE	VINYL TILE	CARPET	4" WOOD	PTD. 8" WOOD	12"x12" CERAMIC TILE	4" VINYL BASE	NONE	MASONRY	PTD. GYPSUM BOARD	WOOD WAINSCOT	CERAMIC TILE	GLAZED		2x2 SUSPENDED CEILING	PTD. GYPSUM BOARD	PTD. STRUCTURE
																				G.C. TO INSTALL APPROPRIATE BACKER BOARD WHERE TILE IS TO BE INSTALLED
																				NOTES
BAY ONE	○								○				○							13'-0" / 21'-4" CEILING HT.
BAY TWO	○								○				○							13'-0" CEILING HT.
BAY THREE	○								○				○							13'-0" CEILING HT.
BAY FOUR	○								○				○							13'-0" CEILING HT.
BAY FIVE	○								○				○							13'-0" CEILING HT.
BAY SIX	○								○				○							13'-0" CEILING HT.
BAY SEVEN	○								○				○							13'-0" CEILING HT.
BAY EIGHT	○								○				○							13'-0" CEILING HT.
BAY NINE	○								○				○							13'-0" CEILING HT.
BAY TEN	○								○				○							13'-0" / 21'-4" CEILING HT.
NOT USED																				
NOT USED																				

DOORS OPENING SCHEDULE

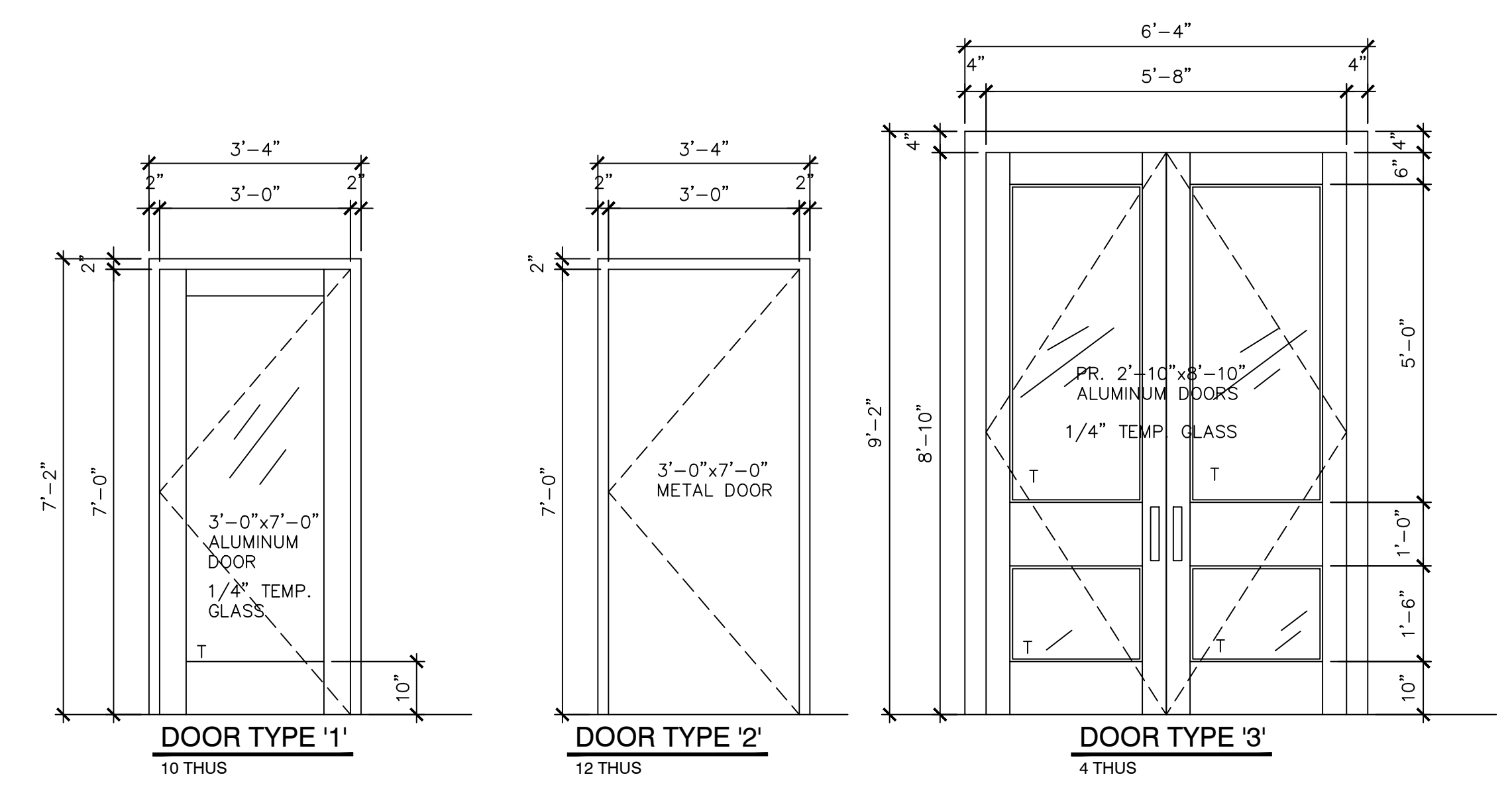
NO.	SIZE	TYPE	FRAME PTD.	HDWR.	REMARKS:
1	3'-0" x 7'-0"	ALUMINUM	ALUMINUM	2	FULL LITE - 1/4" CL. TEMP. GL.
2	3'-0" x 7'-0"	HOLLOW METAL	HOLLOW METAL	1	EXTERIOR DOOR
3	PR. 2'-10"x8'-10"	ALUMINUM	ALUMINUM	2	PR. OF LITES - 1/4" CL. TEMP. GL.
4					
5					

WINDOWS

NO.	SIZE	TYPE	FRAME PTD.	HDWR.	REMARKS:
A	3'-0"x5'-8"	ALUMINUM	ALUMINUM	NONE	1" INSULATED ANNEALED GLASS
B	10'-0"x9'-0"	ALUMINUM	ALUMINUM	NONE	1" INSULATED ANN./TEMP. GLASS
C	11'-8"x10'-8"	ALUMINUM	ALUMINUM	NONE	1" INSULATED ANN./TEMP. GLASS
D	11'-8"x10'-8"	ALUMINUM	ALUMINUM	NONE	1" INSULATED ANN./TEMP. GLASS
E	9'-2"x6'-4"	ALUMINUM	ALUMINUM	NONE	1" INSULATED ANN./TEMP. GLASS
F	9'-2"x6'-4" / 2'-8"x6'-4"	ALUMINUM	ALUMINUM	NONE	1" INSULATED ANN./TEMP. GLASS
G	DOOR / 2'-8"x6'-4"	ALUMINUM	ALUMINUM	NONE	1" INSULATED ANN./TEMP. GLASS
H	NOT USED	---	---	---	---
J	NOT USED	---	---	---	---
K	NOT USED	---	---	---	---
L	NOT USED	---	---	---	---

HARDWARE SCHEDULE

HW-1: KNOB HANDLE LOCKSET WITH DEAD BOLT CYLINDER , 3 PAIR 3 1/2" BUTTS, ALUM. THRESHOLD AND WEATHERSTRIPPING.
 HW-2: LEVER HANDLE LOCKSET, 3 PAIR 3 1/2" BUTTS, ALUM. THRESHOLD AND WEATHERSTRIPPING



1 DOOR ELEVATIONS
1/2" = 1'-0"

KVS

architecture

347 Girod Street, Mandeville, Louisiana
 985.674.3077 www.kvsarchitecture.com

REVISIONS:

BUILDING SHELL FOR
 GAUSE RETAIL
 CENTER

Gause Boulevard Slidell, Louisiana

DATE:
07.05.11

PROJECT No:
11008

DRAWING:

A3.0