

CONTRACTOR / SUPPLIER
SUBSTITUTION
REQUEST FORM

(Section to be completed by Contractor / Supplier)

Project: Slidell Memorial Hospital Substitution Request Number: _____
Imaging Center Entry Enclosure
To: Dammion Engineering, Inc. From: Wells Keown Associates
554 Old Spanish Trail Date: 4/29/16
Re: Slidell, LA 70458 A/E Project Number: 2253
Contract For: _____

Specification Title: Interior Lighting Description: Lighting
Section: 16511 Page: 1-14 / E101 Article/Paragraph: Products

Proposed Substitution: Lighting Fixture Schedule (see submittal)

Manufacturer: _____ Address: _____ Phone: _____

Trade Name: _____ Model No.: _____

Installer: _____ Address: _____ Phone: _____

History: New product 2-5 years old 5-10 yrs old More than 10 years old

Differences between proposed substitution and specified product: All equals or better

Point-by-point comparative data attached - REQUIRED BY A/E

Reason for substitution request: request in order to be competitive in bid.

Similar Installation:
Project: _____ Architect: _____
Address: _____ Owner: _____
Date Installed: _____

Proposed substitution affects other parts of Work: No Yes; explain _____

Supporting Data Attached: Drawings Product Data Samples Tests Reports _____

**CONTRACTOR / SUPPLIER
SUBSTITUTION
REQUEST FORM**
(Continued)

The Undersigned certifies:

- Proposed substitution has been fully investigated and determined to be equal or superior in all respects to specified product.
- Same warranty will be furnished for proposed substitution as for specified product.
- Same maintenance service and source of replacement parts, as applicable, is available.
- Proposed substitution will have no adverse effect on other trades and will not affect or delay progress schedule.
- Proposed substitution does not affect dimensions and functional clearances.
- Coordination, installation, and changes in the Work as necessary for accepted substitution will be complete in all respects.

Submitted by: Jackie Wotshaw
Signed by: J. Wotshaw
Firm: Wells Keown Associates
Address: 301 Plaquemine St. Suite A
Harahan, LA 70123
Telephone: 504-733-0301 jackie@wkaighting.com
Attachments: _____

SECTION TO BE COMPLETED BY A/E:

A/E's REVIEW AND ACTION

- Substitution approved - Provided all Contract Documents requirements are met.
- Substitution approved as noted.
- Substitution rejected - Does not meet Contract Documents - Use specified materials.
- Substitution Request received too late - Not Approved. Received less than seven (7) working days prior to Bid Date. Insufficient time in accordance with R.S. 38:2295.
- Substitution rejected - Insufficient information submitted to make determination.
 - Submit model or catalog numbers.
 - Submit information following Specification format in enough detail to make comparison to product specified.

Signed by: _____ Date: _____

Additional Comments: _____



Date: Apr 29, 2016

Wells Keown Associates
301 Plauche St
Harahan LA 70123
Phone: (504) 733-0301
Fax: (504) 733-3675

Job Name
Slidell Memorial Hospital Imaging Center New Entry Enclosure
WK16-18254
Slidell LA

Bid Date
May 17, 2016

Submittal Date
Apr 29, 2016

Engineer:
DAMMON ENGINEERS INC
554 Old Spanish Trail
SLIDELL LA 70458



Transmittal

Wells Keown Associates
301 Plauche St
Harahan LA 70123
Phone: (504) 733-0301
From: Jackie Lotshaw

Project Slidell Memorial Hospital Imaging Center
New Entry Enclosure
Quote# WK16-18254
Location Slidell LA
To DAMMON ENGINEERS INC
554 Old Spanish Trail
SLIDELL LA 70458
Contact:

ATTACHED WE ARE SENDING YOU 1 COPY OF THE FOLLOWING ITEM:

- | | | |
|-----------------------------------|--|--------|
| <input type="checkbox"/> Drawings | <input type="checkbox"/> Specifications | Other: |
| <input type="checkbox"/> Prints | <input type="checkbox"/> Information | |
| <input type="checkbox"/> Plans | <input checked="" type="checkbox"/> Submittals | |

THESE ARE TRANSMITTED FOR:

- | | | |
|--|---|---------------------------------|
| <input checked="" type="checkbox"/> Prior Approval | <input type="checkbox"/> Resubmittal for Approval | <input type="checkbox"/> Record |
| <input type="checkbox"/> Approval | <input type="checkbox"/> Corrections | Bids due on: |
| <input type="checkbox"/> Approval as Submitted | <input type="checkbox"/> Your Use | Other: |
| <input type="checkbox"/> Approval as Noted | <input type="checkbox"/> Review and Comment | |

Type	MFG	Part
EM	EXITRONIX	LED-90-G2
	Item Note:	Confirm if emergency lights require self test/ self diagnostics.
EX	EXITRONIX	ILX-R-EM-WH
	Item Note:	Confirm red letters/ white finish.
F1	Vantage Luminaires	AIC6VPLED[VOLT]-15[XX]K-L6002-SCL
	Item Note:	Specify voltage & kelvin temp. Confirm finish.
F2	Ligman Lighting USA	USA-30072-CFQ-26W-[VOLT]-06-EMR
	Item Note:	Specify voltage.
F2-ALT	Eclipse Lighting	SK-M-D-TTT/1/26W-[VOLT]-BZ-EL2
	Item Note:	Specify voltage.

Submitted by Wells Keown Associates



Job Name:

Slidell Memorial Hospital Imaging Center New Entry
Enclosure
Engineer: DAMMON ENGINEERS INC (SLIDELL)

Catalog Number:

LED-90-G2

Notes: Confirm if emergency lights require self test/ self diagnostics.

Type:

EM

WK16-18254



LED-90 Series
THERMOPLASTIC LED EMERGENCY LIGHTING UNIT

Model Number:

Approvals:

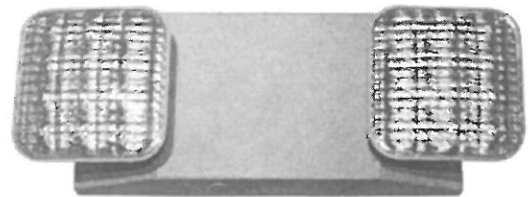
Accessories:

Job:

Type:

FEATURES

- Each head contains 8 long-lasting, efficient, ultra-bright, white LEDs consuming 1.1 watts per head and providing 66 total fixture lumens
- Completely self-contained, compact, low-profile design
- Rugged, injection-molded UL94 V-0 flame retardant, high-temperature thermoplastic housing
- Remote capable - up to two 1.1 watt HLED remote heads
- AC lockout for ease of installation and installer protection
- Low voltage disconnect eliminates deep discharge
- Brown-out, short circuit and voltage surge protection
- Charge rate/power "ON" LED indicator light with test button
- Maintenance-free 3.6 volt NiCad battery
- UL listed 90 minute emergency run time, 24 hour recharge time
- Universal J-Box mounting system
- Optional Guardian Self-Test/Self-Diagnostics (G2) available
- Standard finishes: Black or white
- 120/277V dual primary, 60Hz input
- Suitable for damp location



The LED-90 Series combines a low-profile, contemporary appearance with LED economy and dependability. Fully adjustable heads complement any application.



WARRANTY

Any component that fails due to manufacturer's defect is guaranteed for 3 years with a separate 5 year pro-rated warranty on the battery. The warranty does not cover physical damage, abuse or acts of God. Manufacturer reserves the right to charge for such repairs if deemed necessary.

SPECIFICATIONS ARE SUBJECT TO CHANGE WITHOUT NOTICE


ORDERING INFORMATION Example: LED-90-G2

LED-90-G2

Series	Finish	Options (Factory Installed)	Accessories ² (Field Installed)
LED-90	BLANK = White	G2 = Self-Test/Self-Diagnostics	WG-90 = Wire Guard (Back Mount)
	BL = Black	R ¹ = Remote Capacity	XG-90 = Poly Guard (Back Mount)
			WPV-2 = Wet Location/Vandal Guard (Back Mount)

¹ For use with single or double HLED remote lamps only

² Order as separate line item

Submitted by Wells Keown Associates		Catalog Number: LED-90-G2	Type: EM
	Job Name: Slidell Memorial Hospital Imaging Center New Entry Enclosure Engineer: DAMMON ENGINEERS INC (SLIDELL)	Notes: Confirm if emergency lights require self test/ self diagnostics.	
		WK16-18254	

CONSTRUCTION

The LED-90 is a precision molded unit with lamp housings constructed of UV stable 5VA flame retardant, corrosion proof thermoplastic. Units resist denting, peeling, scratching and corrosion. Not recommended for outdoor use. Tool-less access provided for easy maintenance, universal J-box mounting pattern and keyhole slots provided for simple installation.

ILLUMINATION

Illumination is accomplished utilizing high-intensity, long-life LEDs and consumes only 1 watt nominal power per head. LEDs provide excellent illumination while maximizing energy efficiency. LEDs are a maintenance-free solution, providing up to 100,000 hours of use without failure.

ELECTRICAL

Input

Dual-voltage input 120 or 277VAC @ 60Hz

Sealed Nickel Cadmium Battery – NiCad

Extronix sealed nickel cadmium batteries are maintenance-free with a life expectancy of 15 years. Nickel cadmium batteries offer high discharge rates and continue to perform in a vast temperature range from 0-40 degrees C. NiCad technology provides long lasting, safe and reliable performance by utilizing the jelly-roll design and allows a Ni-Cad cell to deliver a much higher maximum current than an equivalent size alternative battery. As a relatively larger area of the electrode is in contact with the active material in each cell, the internal resistance for an equivalent sized NiCad cell is lower which increases the maximum current that can be delivered.

Emergency

The LED-90 will operate for a minimum of 90 minutes during a loss of power with a 24 hour maximum recharge time for the battery. The LED-90-R will run for 180 minutes in emergency mode if no remote load is connected.

Brownout Circuit

The brownout circuit monitors the flow of AC current to the unit and triggers the emergency lighting system once a set reduction of AC power occurs. This dip in the voltage will cause many fixtures to extinguish causing loss of normal lighting even though a total power failure has not occurred.

Low Voltage Disconnect

When the battery's terminal voltage falls below predetermined levels, the low-voltage circuit disconnects the emergency lighting load. The disconnect remains in effect until normal power is restored, preventing deep battery discharge and improving the life of the battery. The disconnect will also automatically reconnect the load circuit once the battery voltage returns to a normal value after charging.

Solid-State Transfer

The unit features a solid-state switching transistor which eliminates damaged contacts or mechanical failures associated with relays. The switching circuit is designed to detect a loss of AC power and automatically energizes the lamps. Upon restoration of the AC voltage, the emergency lamps will switch off and the charger will automatically recharge the battery.

Overload and Short-Circuit Protection

The solid-state overload monitoring system in the DC circuit disconnects the lamp load from the battery should excessive wattage demands be made and automatically resets when the overload or short-circuit is removed. This overload current protective characteristic eliminates the need for fuses or circuit breakers for the DC load.

Test Button

Our easily located test button allows for manual verification of proper operation of the transfer circuit and emergency lamps.

INSTALLATION

Units are mountable in any orientation, on wall or ceilings. A universal mounting pattern and rear keyhole slots are provided as well as top and side conduit entry options for ease of installation.

Damp Location Rated (Option DR)

Damp location rating ensures the fixture is designed to operate safely in outdoor locations that are protected from the direct elements. Damp location rated fixtures may be installed indoors. Products with damp location ratings are not designed to withstand constant or significant moisture or direct contact with water or steam.

Guardian Self-Test/Self-Diagnostics (Option: G2)

The Guardian circuit continuously monitors the operating condition of the AC power, battery supply voltage, emergency lamp continuity and charging circuit.

The purpose of this option is to provide visual signaling in response to a fault at the EXIT sign battery and/or battery charger. If a failure is detected, visual status will occur immediately via the CHARGER LED and/or the BATTERY FAULT LED. The LEDs will stay illuminated until the fault is corrected.

The Guardian circuit also monitors the transfer circuit as well as performing automatic code compliant testing. The Guardian circuit will perform a 30 second discharge and self-test every 28-30 days. A 90 minute discharge and self-test is performed every 6 months.

Remote Capable (Option: R)

The R option provides this unit with an additional 2.2 watts of remote for use with HLED remote lamps.

CONFORMANCE TO CODES & STANDARDS

The LED-90 Series is UL listed and meets or exceeds the following: UL 924, NEC requirements and NFPA 101.

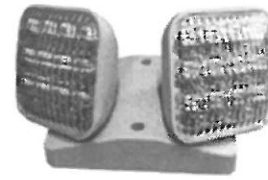
REMOTE LAMPS (Order Separately)

FEATURES

- Each lamp contains 8 long lasting, efficient ultra-bright white LEDs.
- For use with LED-90 or 400C units only
- Wet location option available



Single Lamp with Weatherproof (WP) Option



Double Lamp with No Options

REMOTE ORDERING INFORMATION

Example: HLED-G2

Series	Options
HLED = Single Remote Lamp	G2 = Self Test / Diagnostics
2HLED = Double Remote Lamp	WP = Weatherproof Applications

Order remote lamps as separate line item

Remote lamps with G2 option are compatible with LED emergency lighting units with G2 option only.

Submitted by Wells Keown Associates



Job Name:

Slidell Memorial Hospital Imaging Center New Entry
Enclosure
Engineer: DAMMON ENGINEERS INC (SLIDELL)

Catalog Number:

LED-90-G2

Type:

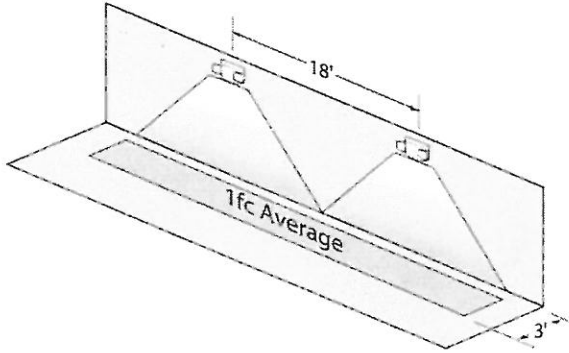
EM

Notes: Confirm if emergency lights require self test/ self diagnostics.

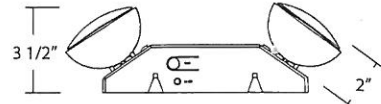
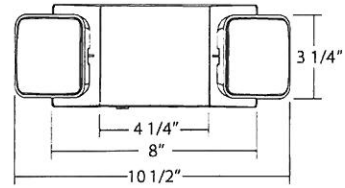
WK16-18254

SAMPLE PHOTOMETRICS

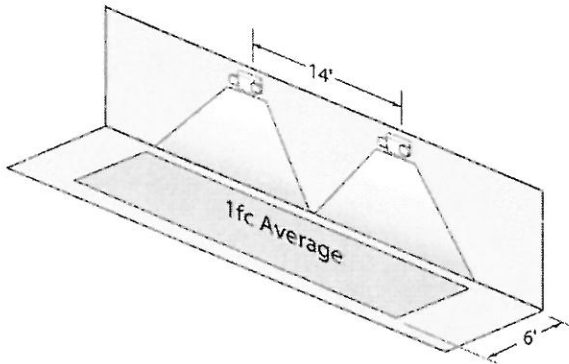
Using multiple units mounted at a typical 7.5' delivers 18' center-to-center spacing on a 3' wide egress path.



DIMENSIONS



Using multiple units mounted at a typical 7.5' delivers 14' center-to-center spacing on a 6' wide egress path.



800.533.3948 • www.barronltg.com

Submitted by Wells Keown Associates



Job Name:

Slidell Memorial Hospital Imaging Center New Entry Enclosure
Engineer: DAMMON ENGINEERS INC (SLIDELL)

Catalog Number:

ILX-R-EM-WH

Notes: Confirm red letters/ white finish.

Type:

EX

WK16-18254



ILLUMINEX Series
THERMOPLASTIC LED EXIT

Model Number:

Accessories:

Job:

Type:

Approvals:

FEATURES

- Ultra-compact, low-profile design
- Easy to install, snap together design
- Rugged, injection-molded UL94 V-0 flame retardant, high-temperature thermoplastic housing
- Universal style - includes 2 face plates, a back plate and mounting canopy
- Brown-out, short circuit and voltage surge protection
- Overcharge protection
- Maintenance-free NiCad battery
- Universal J-Box mounting system - Ceiling, wall or end mount
- ETL listed 90 minute emergency run time, 24 hour recharge time
- Constant, uniform illumination by long-life, high intensity, red or green LEDs
- Fully-illuminated 6" characters with 3/4" stroke
- Chevron-style, universal arrow knockouts
- 120/277V dual primary, 60Hz input
- Standard finishes: Black or white
- Suitable for damp location



The Illuminex Series LED Exit Sign combines an attractive, easy-to-install compact contemporary design with proven, ultra-reliable electronics to provide the very best in energy efficient emergency lighting. ILX units are completely self-contained and features universal mounting, canopy included.

WARRANTY

Any component that fails due to manufacturers defect is guaranteed for 1 year with a separate 5 year pro-rated warranty on the battery. The warranty does not cover physical damage, abuse or acts of God. Manufacturer reserves the right to charge for such repairs if deemed necessary.




SPECIFICATIONS ARE SUBJECT TO CHANGE WITHOUT NOTICE

ORDERING INFORMATION Example: ILX-R-EM-WH **ILX-R-EM-WH**

Series	LED Color	Power Source	Finish	Accessories ² (Field Installed)
ILX ¹	R = Red	AC = AC Only	WH = White	ER1-KIT = 1' Pendant Mount Kit
	G = Green	EM = NiCad Battery	BL = Black	ER2-KIT = 2' Pendant Mount Kit
				VEPA = Pendant Adapter
				WG-1 = Wire Guard (Back Mount)
				WG-2 = Wire Guard (End Mount)
				WG-3 = Wire Guard (Ceiling Mount)
				XG-1 = Poly Guard (Back Mount)
				XG-3 = Poly Guard (Ceiling Mount)

¹ Includes 2nd exit face and backplate

² Order as separate line item

Submitted by Wells Keown Associates		Catalog Number: ILX-R-EM-WH	Type: EX
	Job Name: Slidell Memorial Hospital Imaging Center New Entry Enclosure Engineer: DAMMON ENGINEERS INC (SLIDELL)	Notes: Confirm red letters/ white finish.	
		WK16-18254	

CONSTRUCTION

The ILX series is constructed of a precision-molded housing constructed of flame retardant, corrosion proof, UV stable thermoplastic. N.F.P.A. approved Field-selectable chevrons. Units resist denting, peeling, scratching and corrosion.

Stencil letters are 6" high with 3/4" stroke, with minimum of 100 ft viewing distance rating as required by UL924 standard.

ILLUMINATION

Illumination of the ILX series is achieved with high output, long lasting red or green LEDs. An exclusive color-matched diffuser eliminates hot spots and striations, providing optimal light output. LEDs are a maintenance-free solution, providing up to 100,000 hours of use without failure.

ELECTRICAL

Input

Dual-voltage input 120 or 277VAC @ 60Hz.

Sealed Nickel Cadmium Battery – NiCad (EM Only)

Extronix sealed nickel cadmium batteries are maintenance-free with a life expectancy of 15 years. Nickel cadmium batteries offer high discharge rates and continue to perform in a vast temperature range from 0-40 degrees C. NiCad technology provides long lasting, safe and reliable performance by utilizing the jelly-roll design and allows a Ni-Cad cell to deliver a much higher maximum current than an equivalent size alternative battery. As a relatively larger area of the electrode is in contact with the active material in each cell, the internal resistance for an equivalent sized NiCad cell is lower which increases the maximum current that can be delivered.

Emergency

The ILX series exit will operate for a minimum of 90 minutes during a loss of power with a 24 hour maximum recharge time for the battery.

Brownout Circuit

The brownout circuit monitors the flow of AC current to the unit and triggers the emergency lighting system once a set reduction of AC power occurs. This dip in the voltage will cause many fixtures to extinguish causing loss of normal lighting even though a total power failure has not occurred.

Low Voltage Disconnect

When the battery's terminal voltage falls below predetermined levels, the low-voltage circuit disconnects the emergency lighting load. The disconnect remains in effect until normal power is restored, preventing deep battery discharge and improving the life of the battery. The disconnect will also automatically reconnect the load circuit once the battery voltage returns to a normal value after charging.

Solid-State Transfer

The unit features a solid-state switching transistor which eliminates damaged contacts or mechanical failures associated with relays. The switching circuit is designed to detect a loss of AC power and automatically energizes the lamps. Upon restoration of the AC voltage, the emergency lamps will switch off and the charger will automatically recharge the battery.

Overload and Short-Circuit Protection

The solid-state overload monitoring system in the DC circuit disconnects the lamp load from the battery should excessive wattage demands be made and automatically resets when the overload or short-circuit is removed. This overload current protective characteristic eliminates the need for fuses or circuit breakers for the DC load.

Test Button

Our easily located test button allows for manual verification of proper operation of the transfer circuit and emergency lamps.

INSTALLATION

Simple snap together universal design allows for faceplate and back plate to be fully interchangeable. Mounting canopy is supplied with all signs and snaps into enclosure with two positive locking tabs.

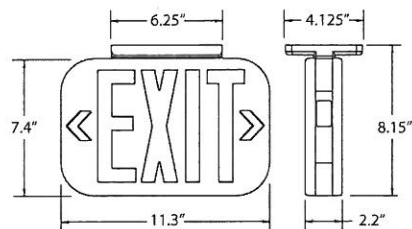
Damp Location Rated

Damp location rating ensures the fixture is designed to operate safely in outdoor locations that are protected from the direct elements. Damp location rated fixtures may be installed indoors. Products with damp location ratings are not designed to withstand constant or significant moisture or direct contact with water or steam.

CONFORMANCE TO CODES & STANDARDS

The ILX Series is UL listed and meets or exceeds the following: UL 924, NEC requirements and NFPA 101.

DIMENSIONS





Job Name:

Slidell Memorial Hospital Imaging Center New Entry Enclosure
Engineer: DAMMON ENGINEERS INC (SLIDELL)

Catalog Number:

AIC6VPLED[VOLT]-15[XX]K-L6002-SCL

Notes: Specify voltage & kelvin temp. Confirm finish.

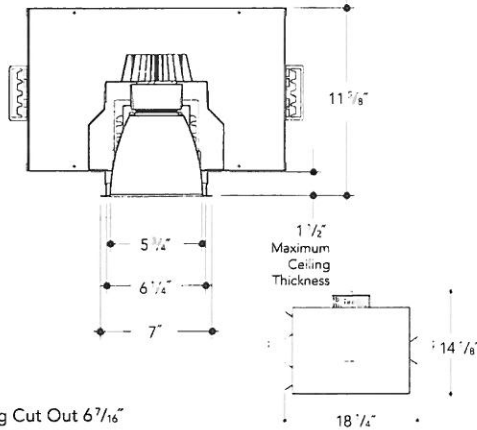
Type:

F1

WK16-18254

Project Name: _____ Type: _____

DIMENSIONS



Ceiling Cut Out 67/16"

FEATURES

Fortimo LED DLM Flex Systems

New Fortimo LED Downlight Module (DLM) Flex systems now provide the latest advances, including high quality LED options to satisfy both functional and performance requirements along with excellent energy efficiency and color consistency. For practical and general lighting applications, the Fortimo LED DLM Flex Module is an excellent solution.

Its direct white mid-power LED technology combines high light quality and energy efficiency levels over 100 lm/W, offering superior price/performance along with low maintenance costs and a long lifetime of 50,000 hours. Five lumen packages are available: 1100, 1500 and 2000.

Features and Benefits

- High energy efficiency system up to 107 lm/W.
- Wide range of lumen packages from 1,100-5,000 lm.
- High quality of light with CRI 80 and 3 SDCM color consistency.
- Philips Xitanium driver features internal thermal protection and 0-10V dimming to 5% of lumen output.
- Input volts 120-277V.
- 50,000 hours of life at L70 standard.
- Smart systems with Philips Advance Xitanium drivers.
- 5 year warranty on LED module and driver.

Frame

Heavy duty galvanized steel components including frame, adjustable mounting ears and junction box. Fixture is pre-wired and grounded with easy access from below, listed for through branch circuit wiring.

Standard mounting bars (included) incorporate rigid formed cross sections and include joist positioning tabs, integral nails, auxiliary nailholes, T-Bar slots and holes for locking to grid using self-tapping screws (supplied by others). Mounting ears will accept our standard bars (14"-24" ext), optional Caddy #517B (27" ext) and other mounting methods.

IC-Rated formed, vented, aluminum housing.

REFLECTOR KIT

OPEN

LED - IC Rated 6" Aperture

6002 Open

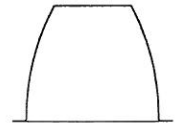
Finish Options

- SCL Specular Clear "Alzak"
- SGC Soft Glow Clear
- ECL Etch Clear
- WHT White Reflector

Options:

All trims supplied standard with white painted flange.

PF Polished Flange



OPEN BAFFLED

LED - IC Rated 6" Aperture

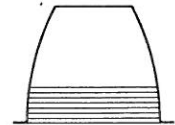
6052 Open Baffled

Finish Options

Specify reflector finish option - see above, then add baffle finish color

- BL Black Baffle
- WH White Baffle

All trims supplied standard with white painted flange.



Manufactured and Listed to UL 1598, ETL and CSA standards.
Suitable for Damp Locations. Wet location under covered ceiling.

ORDERING INFORMATION

EXAMPLE: AIC6VPLED1-1127K-L6002-SCL

AIC6VPLED[VOLT]-15[KELVIN]K-L6002-SCL

Wattage LED	Housing	Voltage	Lumens	Kelvin	Reflector	Finish	Options
See Chart	AIC6VPLED	1	-11 = 1100	27K = 2700K	L6002	SCL	PF
Below		2	-15 = 1500	30K = 3000K	Baffled	SGC	
			-20 = 2000	35K = 3500K	L6052	ECL	
				40K = 4000K		WHT	
						Baffle	
						BL	
						WH	

Options
PF - Polished Flange

Lumens	Wattage*
1100-3k	10.8
1100-4k	10.3
1500-3k	15.1
1500-4k	14.4
2000-3k	20.6
2000-4k	19.6

*Actual wattage/lumens may vary.

Vantage reserves the right to change components, finishes or design details in any manner which does not alter the installed appearance or reduce performance and intended function.

▲ See Options pages for other options and finishes.

Submitted by Wells Keown Associates



Job Name:

Slidell Memorial Hospital Imaging Center New Entry
Enclosure
Engineer: DAMMON ENGINEERS INC (SLIDELL)

Catalog Number:

USA-30072-CFQ-26W-[VOLT]-06-EMR

Notes: Specify voltage.

Type:

F2

WK16-18254



LUMINAIRE SPECIFICATION

Head Office: Tel: 503-645-0500
7144 NW Progress Ct Fax: 503-645-8100
Hillsboro, Oregon 97124
www.ligmanlightingusa.com

IP65 : Suitable for Wet Locations
IK09 : Impact Resistant (Vandal Resistant)

USA-30072

Sandy 3 surface mounted luminaire

A range of small and large circular wall mounted bulkheads with polycarbonate diffuser. Ideal for numerous indoor or outdoor applications. Sandy has a subtle chamfered frame and it can be given a more striking appearance by way of different grill and visor options.

Low copper content corrosion resistant die-cast aluminum housing and frame. Stainless steel screws. Durable silicone rubber gasket and impact resistant UV stabilized polycarbonate diffuser. Housing is treated with a chemical chromated protection before powder coating, ensuring high corrosion resistance. Integral electronic control gear.

Physical Data

Diameter: 10.47"

Weight: 5.0 lbs

Lamp

CFQ 26w

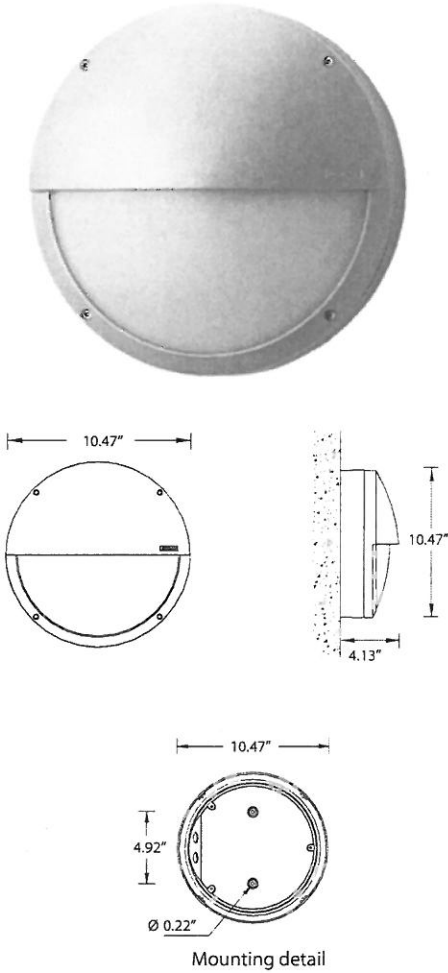
(For More Lamp options including LED, please Consult the Catalogue, Website or Contact The Ligman Lighting Factory)

Voltage (Please Specify)

- 120V
- 277V
- Other _____

Color (Please Specify)

- 01-Black - RAL 9011
- 02- Dark Grey - RAL 7043
- 03-White - RAL 9003
- 04 - Metallic Silver - RAL 9006
- 05-Matt Silver - RAL 9006
- 07- Custom - RAL _____
- 06-Bronze - RAL 6014



SCE - Surface Conduit Entry Box - 1/2" Conduit 3/4" Conduit

EMR - Remote Battery Pack



Does not meet our requirements

Ordering Example : USA - 30072 - CFQ-26w - 120v - Options

USA-30072-CFQ-26W-[VOLT]-06-EMR



Rev: 11/13

PROJECT: _____ DATE: _____

TYPE: _____ QUANTITY: _____ NOTE: _____

Ligman Lighting USA reserves the right to change specifications without prior notice, please contact factory for latest information.
Due to the continual improvements in LED technology data and components may change without notice.



Stockholm

EURO WALL PACK FAMILY

Surface Mount High Abuse Series;

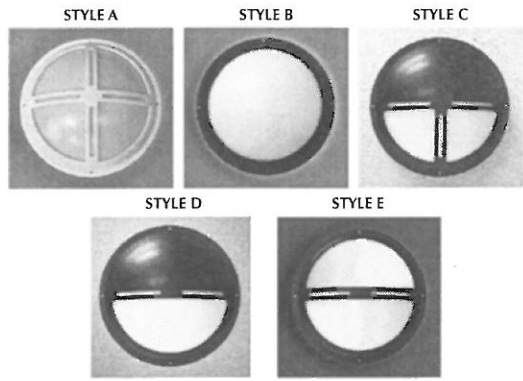
HID, CFL, LED

We reserve the right to revise the design or components of any product without notice.

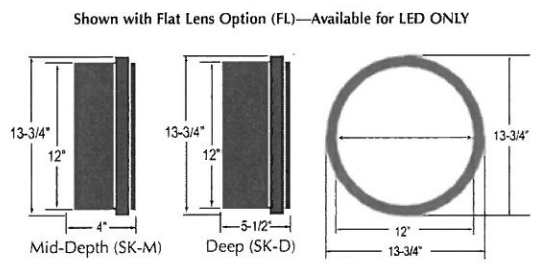
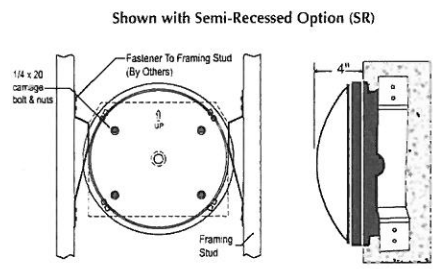
CATALOG #		TYPE
PROJECT/LOCATION		
APPROVED BY		

SPECIFICATIONS

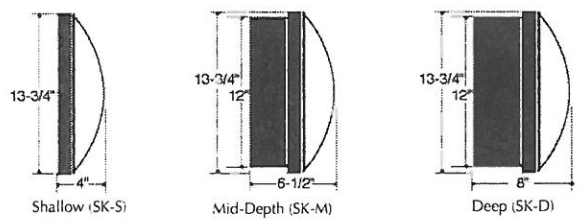
- REFLECTOR — .160 aluminum For High Efficiency.
- BALLAST — For Compact Fluorescent; Electronic Cold Weather HPF is Standard. For HID Pulse Start is Standard.
- DIFFUSER — Opal White Injection Molded Polycarbonate. Optional Ribbed Clear (RC) or Frosted (RF) Prismatic Polycarbonate.
- EMERGENCY — CFL, LED — Remote or Integral. Integral Emergency Battery available for Medium or Deep Casting Only.
- FASTENERS — (4) Stainless steel tamperproof Torx screws to secure lens to backplate.
- FINISH — Extremely durable oven baked Polyester Powder coat – Titanium Silver is Standard. Finishes include: Black, Bronze or White.
- GASKETING — One Piece Die Cut 3/16" Thick Black EPDM.
- HOUSING — Marine Grade cast aluminum with injection-molded polycarbonate trim & diffuser.
- LAMP — Twin Tube, Double Twin Tube or Triple Twin Tube mini-fluorescent; Medium Base Metal Halide as required – by others.
- COMPLIANCE — Built to UL1598 & UL8750 compliance for UL-ULC for U.S. and Canadian Safety Standards. Suitable for Wet Locations.



OPTIONS



DIMENSIONS



Submitted by Wells Keown Associates



Job Name:

Slidell Memorial Hospital Imaging Center New Entry Enclosure
Engineer: DAMMON ENGINEERS INC (SLIDELL)

Catalog Number:

SK-M-D-TTT/1/26W-[VOLT]-BZ-EL2

Notes: Specify voltage.

Type:

F2-ALT

WK16-18254

Stockholm

EURO WALL PACK FAMILY
Surface Mount High Abuse Series;
HID, CFL, LED

LAMP TYPE/QUANTITY/WATTAGE ¹			
Visit www.eclipselightinginc.com for available IES files			
Fixture	STOCKHOLM Shallow	STOCKHOLM Mid-Depth	STOCKHOLM Deep
Dimensions - W x H x D	13 1/2" dia. x 4" (ADA)	13 1/2" max dia. x 6 1/2"	13 1/2" max dia. x 8"
Fluorescent Double Twin Tube	DTT (1 or 2)13/18w	(1 or 2)13/18/26w	(1 or 2)13/18/26w
Fluorescent Triple Twin Tube	TTT (1 or 2)18w, (1)32/42w	(1 or 2)18/26/32w, (1)42w	(1 or 2)18/26/32/42w
Pulse Start Metal Halide	MH	N/A	50/70w 50/70/100w
Light Emitting Diode	LED	15/25w	15/25/30/40w

ORDERING GUIDE: **Series** SK-M **Style** D **Lamp Type/Qty/Watt** TTT/1/26W **Color Temp** [] **Voltage: Primary/Emergency** [VOLTAGE] **Finish** BZ **Options** EL2

SERIES

- SK-S = Stockholm Shallow Casting Series (4" deep, ADA)
—Not for Use with Side Conduit Entry
- SK-M = Stockholm Mid-Depth Casting Series (6.5" deep)
- SK-D = Stockholm Deep Casting Series (8" deep)

STYLE

- A = Style A: with Cage
- B = Style B: no Cage
- C = Style C: EVELID with Vertical Bar
- D = Style D: EVELID
- E = Style E: Horizontal Bar

LAMP TYPE/QUANTITY/WATTAGE
Refer to Above Chart

VOLTAGE

- 120 = 120 Volts
- 277 = 277 Volts
- 347 = 347 Volts
- EBMH = Electronic Ballast for Metal Halide
- EBU = Universal Volt (120-277v)
- 2EB = 2 Electronic Ballast for Dual Circuit CFL(2)26w, Specify Voltage

FINISH

- BK = Black Finish
- BZ = Bronze Finish
- SGR = Titanium Silver Gray — Standard
- WH = White Finish

OPTIONS

- 9002 = Torx Tamperproof Screwdriver
- 9206 = Photocell — 120V (SK-M; SK-D Only)
- 9221 = Photocell — 277V (SK-M; SK-D Only)
- 9328 = Universal Photocell — 120/277V (SK-M; SK-D Only)
- FUS = Single Fusing
- GTD = Generator Transfer Device (Bodine)
- RC = Ribbed Clear Lens²
- RF = Ribbed Frosted Opal Lens
- SR = Semi-Recessed³

EMERGENCY BATTERY OPTIONS^{4,5}

- No onsite Emergency Power (AC or DC) is provided
- Specify Fixture Voltage: 120V or 277V Power Feed
- A=120V or B=277V
- Fluorescent Emergency Battery**
- EL2 = Integral (SK-M; SK-D Only); (1-2)TTT, 650 Lms
- RELS2 = Remote, Cold Weather (Bodine)
- DTT/TTT; 1-2 Lamp; up to 1250 Lms
- RELS5 = Remote, Cold Weather
- TTT; 1-2 Lamp; 1250 Lms
- REL2 = Remote — see EL2

COLOR TEMPERATURE

- 3K = ±3000K range (120 Initial LPV)
- 4K = ±4000K range (132 Initial LPV)
- 5K = ±5000K range (140 Initial LPV)
- 6K = ±6000K range (145 Initial LPV)

LED OPTIONS

- BL = Dual Circuit for Bi-Level light (High/Low), includes 2EBU
- D7 = 0-10V low-voltage dimming (100-30% Standard, Consult Factory for Other)
- FLO = Opal White Flat Lens (LED Only; Not Avail. for SK-S)
- FLP = Clear Prismatic Flat Lens (LED Only; Not Avail. for SK-S)
- MSE = Motion Sensor External—Single circuit-all on, all off
- Specify Finish: White (WH)/Bronze (BZ)
- MSE2 = Motion Sensor External—Dual circuit, half on half off
- Specify Finish: White (WH)/Bronze (BZ)
- SG = 10KA Surge Protection for LED fixtures
- SK-M; SK-D Only meets ANSI spec C62.41.2)

LED Emergency Battery⁶

- REL61 = Remote: LED 12W, ± 720 Lms (lota)
- REL63 = Remote: LED 23W, ± 1290 Lms (Bodine)
- REL67 = Remote: Cold Weather: LED 23W, ± 1290 Lms (lota)
- REL82 = Remote: LED 4W (Fulham)—Factory Recom'd
- REL85 = Remote: LED 20W (Fulham)—Factory Recom'd
- REL88 = Remote: LED 16W (Fulham)—Factory Recom'd

LED EMERGENCY CIRCUIT⁷

- Onsite Generator Power (AC) or Battery Power (DC) is provided via separate circuit to the fixture
- EC1A = (1) 5W LED for Line Voltage (120VAC)
- EC2A = (1) 5W LED for Line Voltage (277VAC)
- EC3A = (2) 5W LED for Line Voltage (120VAC)
- EC4A = (2) 5W LED for Line Voltage (277VAC)
- EC1D = (1) 5W LED for Low Voltage (12VDC)
- EC2D = (1) 5W LED for Low Voltage (24VDC)
- EC3D = (2) 5W LED for Low Voltage (12VDC)
- EC4D = (2) 5W LED for Low Voltage (24VDC)

NOTES:

- 1 Consult Factory with requests regarding lamp sources, including LED, color temp., wattages or voltages not shown.
- 2 Consult Factory for additional Emergency Battery options.
- 3 Semi-Recessed: Medium & Deep Cast Only; 50w Max
- 4 Ribbed Clear Lens with LED lamping should be used only with cage Style "C" or "D" if wall mounted
- 5 Max Whip length with the REL provided by the factory is 8 feet
- 6 Consult Factory for other Voltage
- 7 Due to form and fit, final selection of the Battery Pack under discretion of Factory

