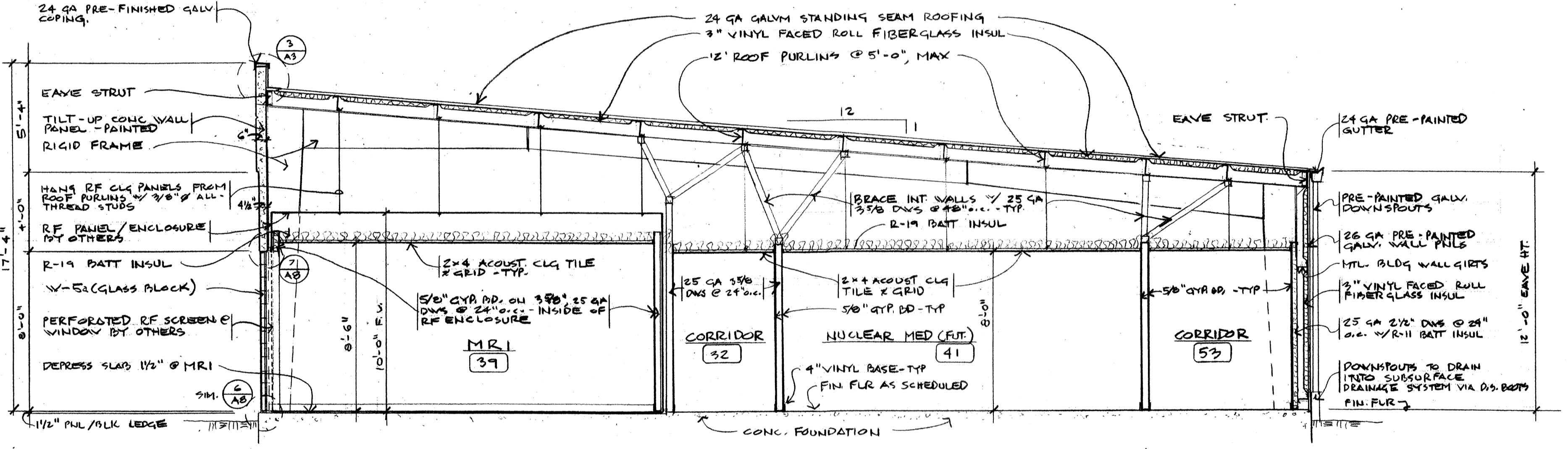
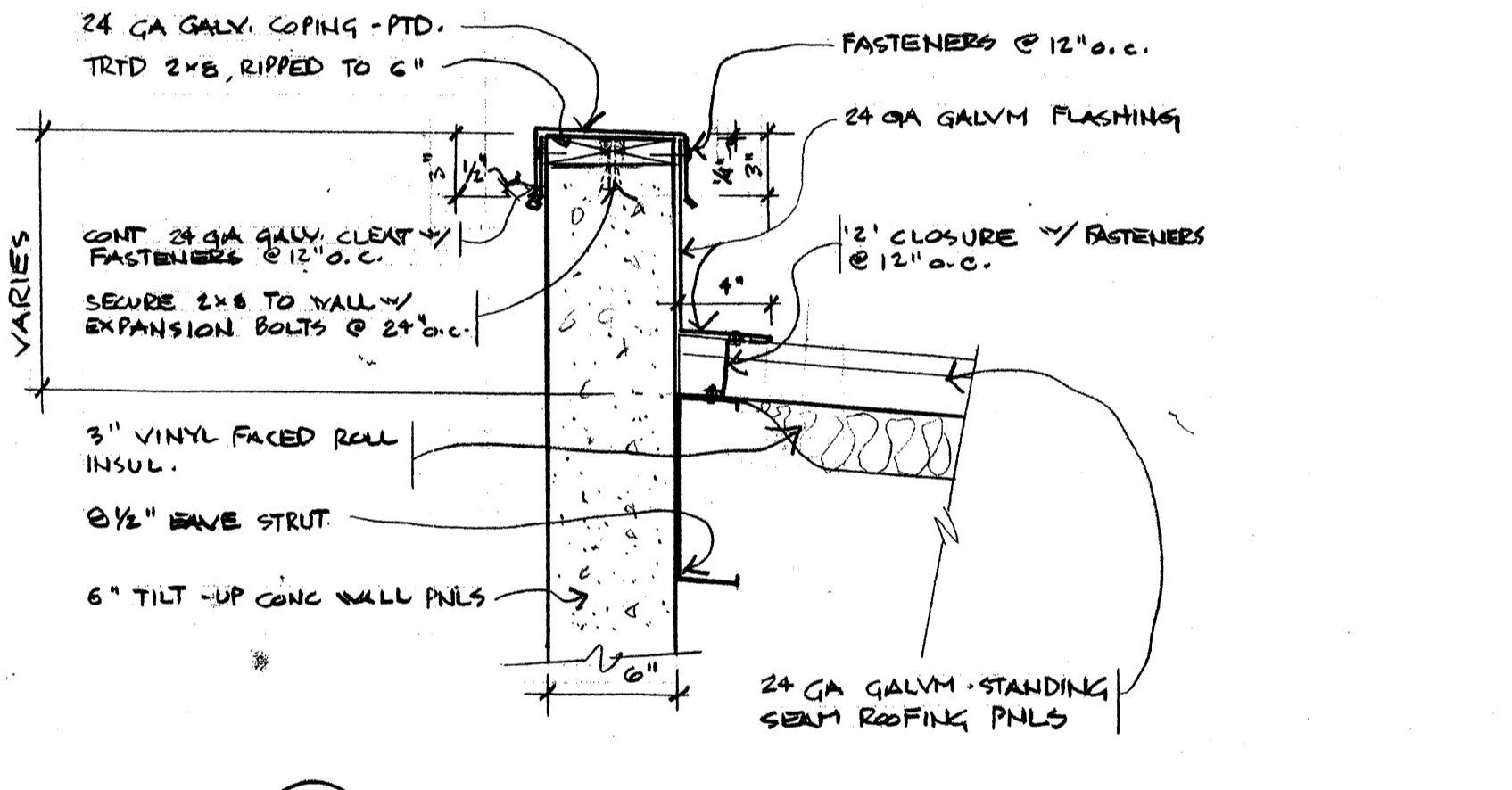


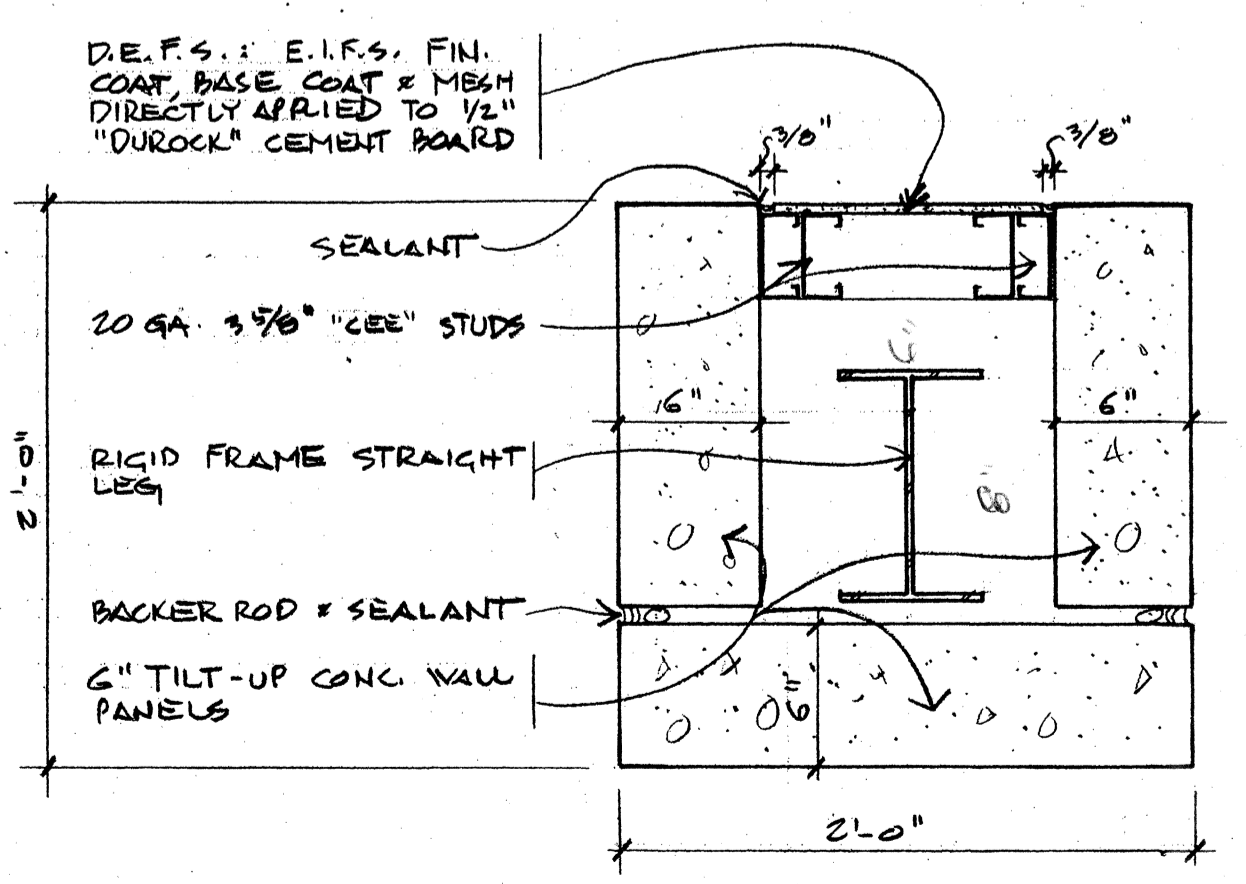
1 TRANSVERSE SECTION
 A3 1/4" = 1'-0"



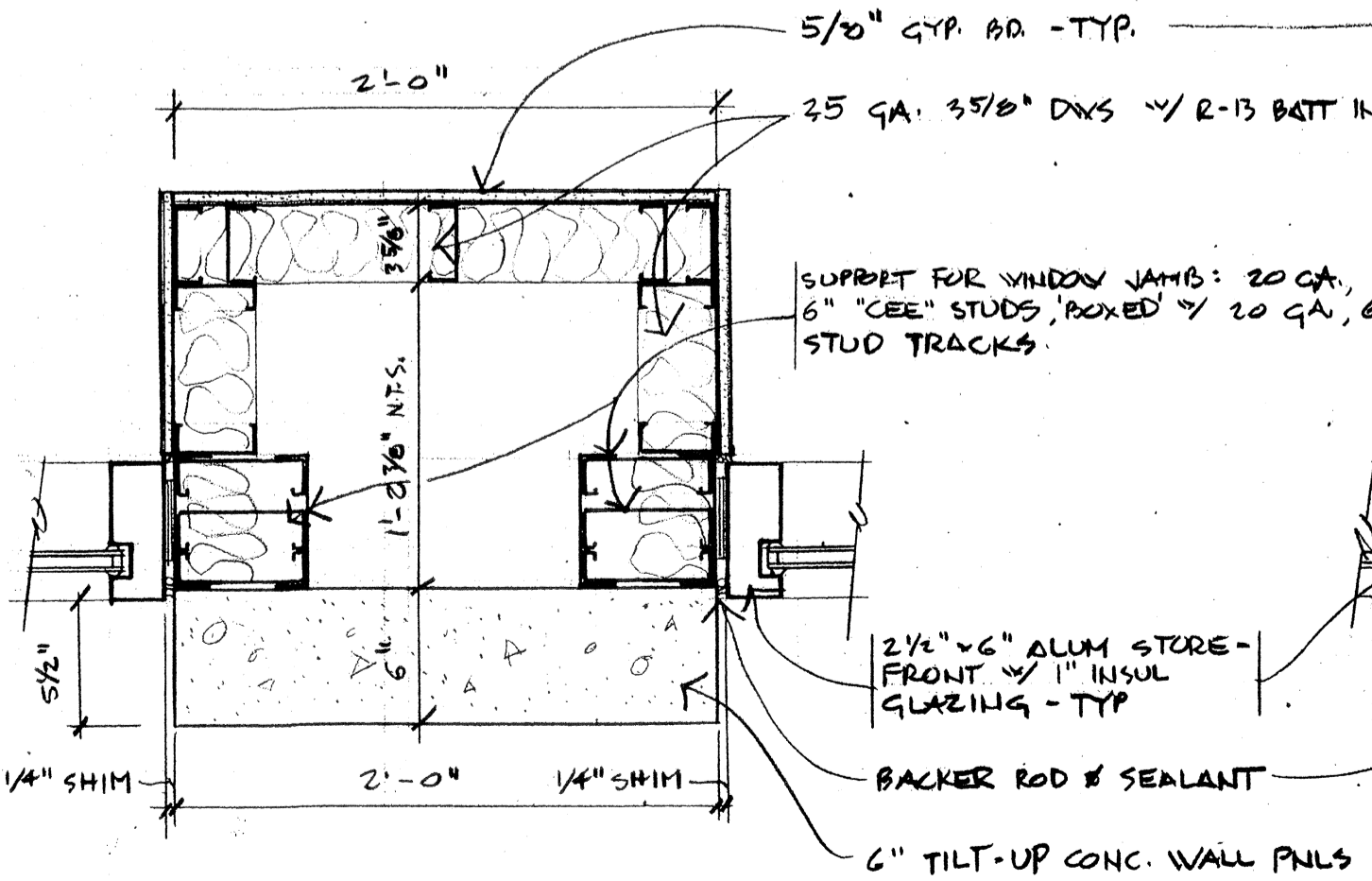
2 TRANSVERSE SECTION
 A3 1/4" = 1'-0"



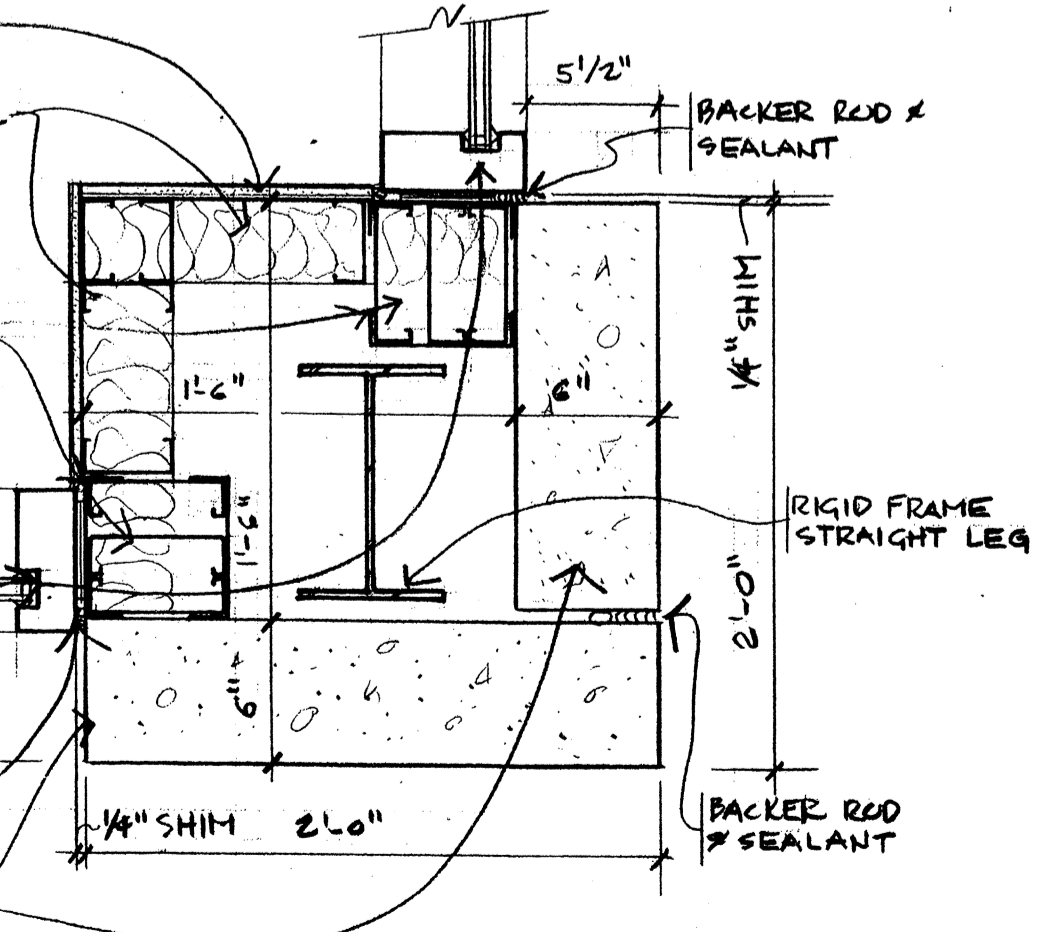
3 PARAPET DETAIL
 A3 1/2" = 1'-0"



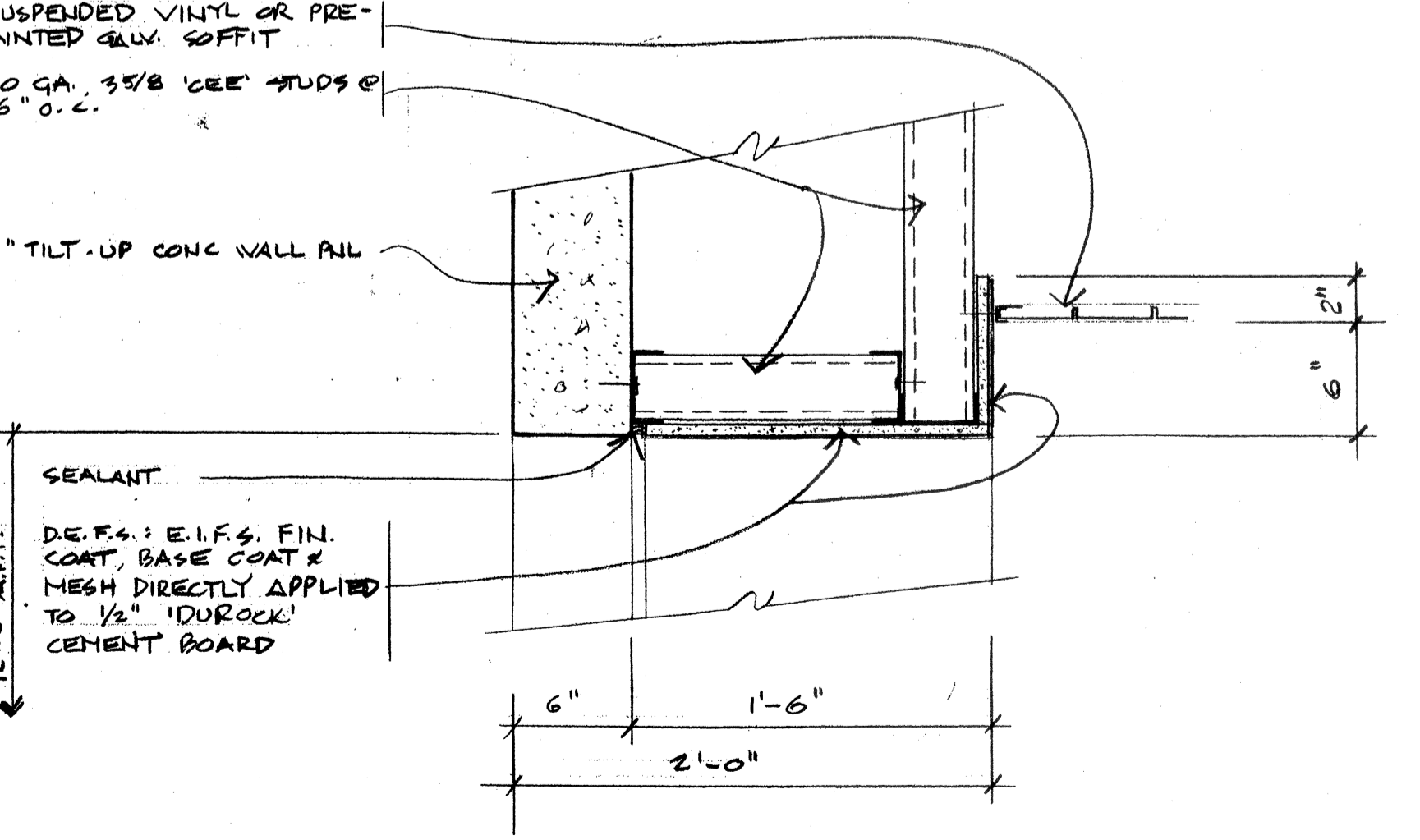
4 COLUMN DETAIL
 A3 1/2" = 1'-0"



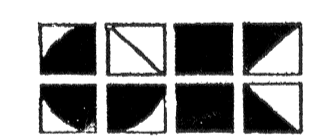
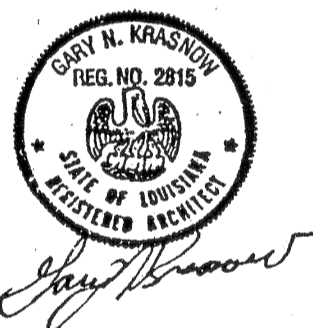
5 COL/WINDOW JAMB DETAIL
 A3 1/2" = 1'-0"



6 COL/WINDOW JAMB DETAIL
 A3 1/2" = 1'-0"



7 SOFFIT DETAIL
 A3 1/2" = 1'-0"



GARY N. KRASNOW
 ARCHITECT

7734 WALMSLEY AVENUE
 NEW ORLEANS, LA 70125
 504/865-1937

PROJECT NUMBER: 00-03
 DATE: 2000, MAY 16
 DRAWN: GJK
 CHECKED: GJK
 REVISED:

KEY CONTENTS:
 BUILDING SECTIONS;
 DETAILS

SCALE: AS NOTED

SHEET