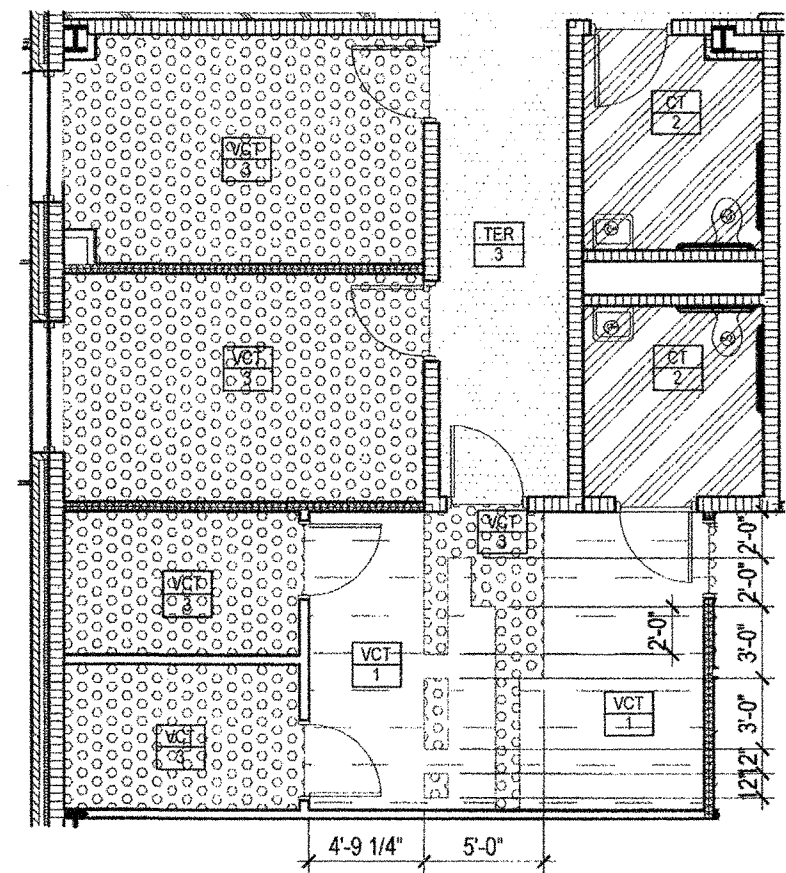


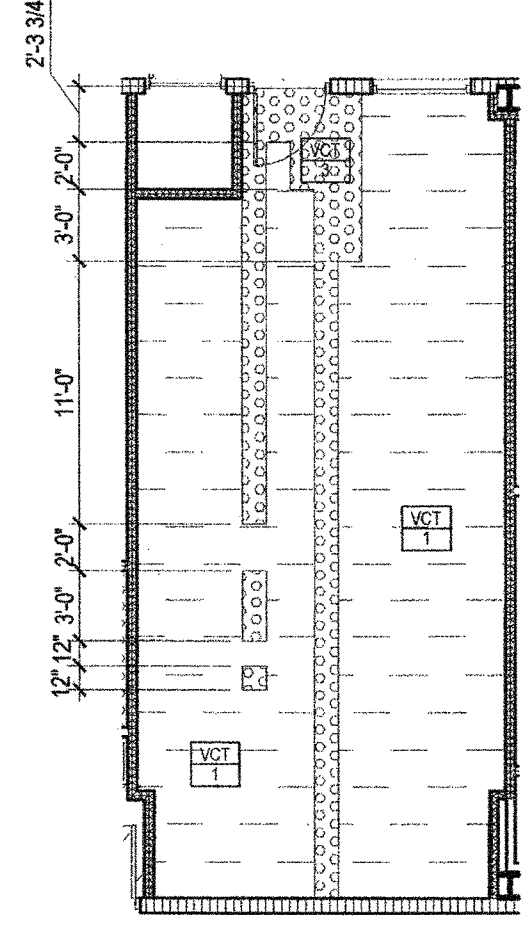
3 VESTIBULE AND RECEPTION
A6.06 SCALE: 1/8" = 1'-0"

2 ADMINISTRATIVE OFFICES AND CONFERENCE ROOM
A6.06 SCALE: 1/8" = 1'-0"

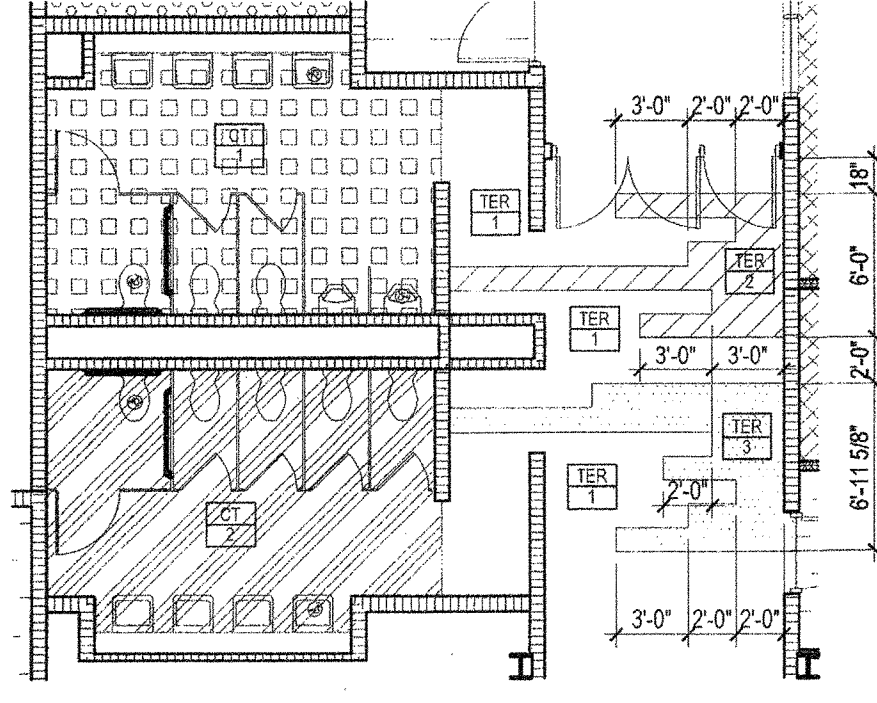
1 TYPICAL CLASSROOMS- 1ST FLOOR
A6.06 SCALE: 1/8" = 1'-0"



6 HEALTH CLINIC
A6.06 SCALE: 1/8" = 1'-0"



5 FACULTY LOUNGE
A6.06 SCALE: 1/8" = 1'-0"



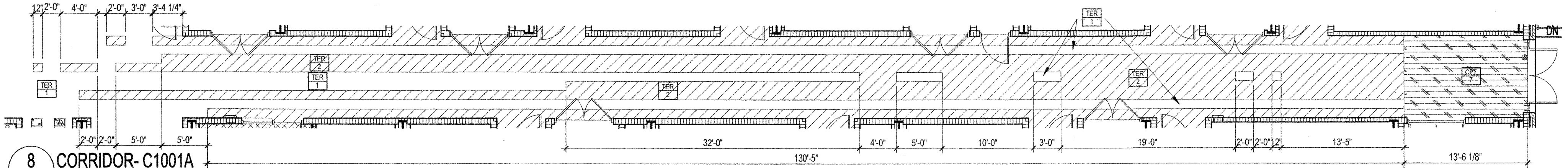
4 BOYS AND GIRLS RESTROOMS
A6.06 SCALE: 1/8" = 1'-0"

FLOOR FINISH LEGEND	
[Pattern]	TER-1
[Pattern]	TER-2
[Pattern]	TER-3
[Pattern]	TER-4
[Pattern]	VCT-1
[Pattern]	VCT-2
[Pattern]	VCT-3
[Pattern]	CT-1
[Pattern]	CT-2
[Pattern]	CT-3
[Pattern]	CPT-1
[Pattern]	CPT-2
[Pattern]	CPT-3
[Pattern]	CPT-4
[Pattern]	CPT-5
[Pattern]	CPT-6
[Pattern]	CPT-7
[Pattern]	RUB-1
[Pattern]	RUB-2
[Pattern]	RUB-3
[Pattern]	LIN-1

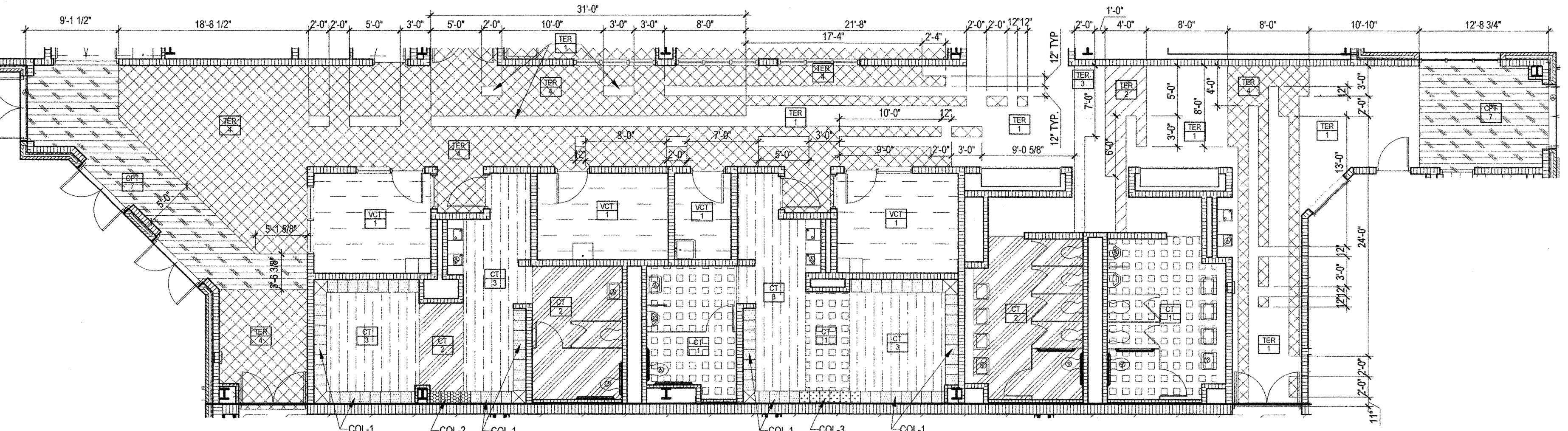
LOCKER COLOR LEGEND	
[Color]	COL-1
[Color]	COL-2
[Color]	COL-3

FINISH LEGEND		
FLOORS:	WALLS:	BASE:
[Symbol] VINYL COMPOSITION TILE	[Symbol] PAINTED VERTICAL OR HORIZONTAL SURFACE UNLESS NOTED OR METAL OR WOOD SURFACES	[Symbol] 8" H TERRAZZO BASE
[Symbol] CARPET TILE (WALL OFF CHOPPED WALL OFFERS TO BE FIELD OFF FRONT FACE OF WALL BASE MATERIAL)	[Symbol] VINYL WALL COVERING	[Symbol] 8" H QUARRY TILE BASE
[Symbol] NON-SLIP QUARRY TILE	[Symbol] 4X4 CERAMIC WALL TILE, GLAZED	[Symbol] 4X4 GLAZED CERAMIC TILE COVE BASE
[Symbol] TERRAZZO FLOORING	EQUIPMENT CABINETS:	[Symbol] RUBBER BASE
[Symbol] 1X1 UNGLAZED CERAMIC TILE	[Symbol] PLASTIC LAMINATE (DOOR/CABINET)	
[Symbol] SEALED CONCRETE		

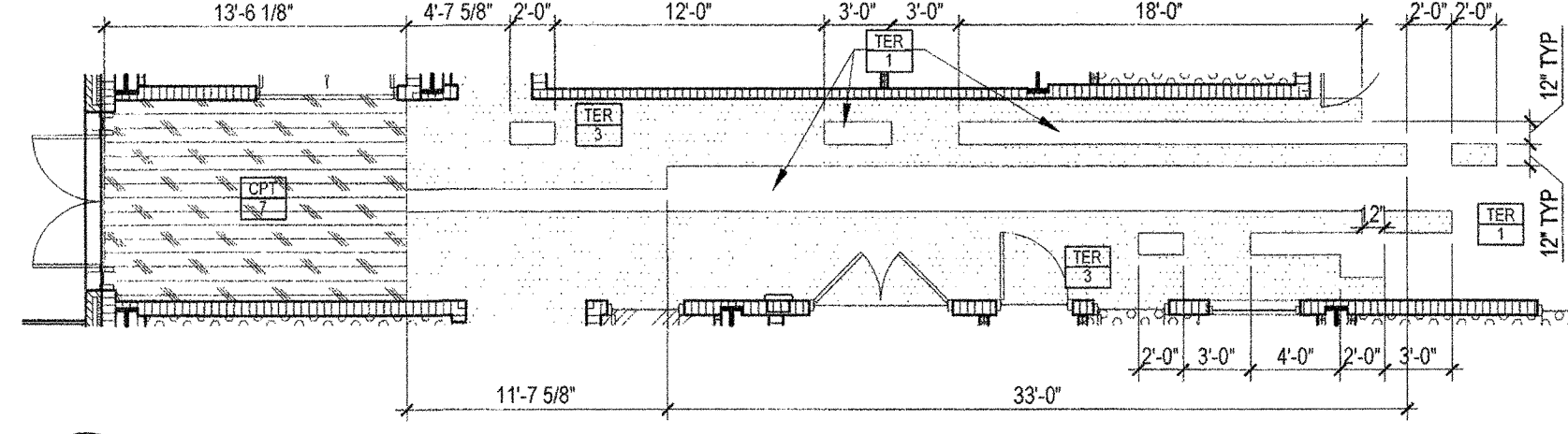
7 STUDENT DINING/ COMMONS
A6.06 SCALE: 1/8" = 1'-0"



8 CORRIDOR- C1001A
A6.06 SCALE: 1/8" = 1'-0"

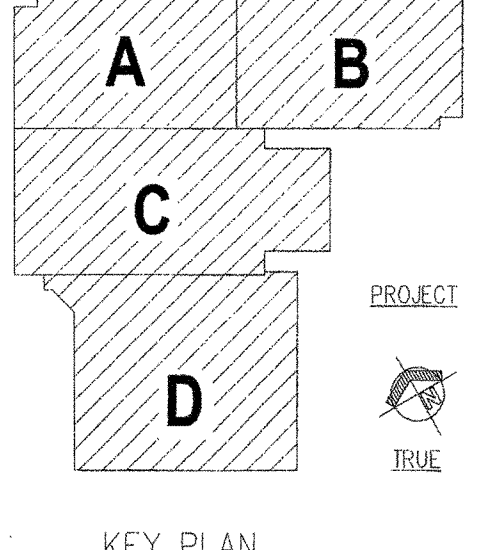


10 CORRIDOR- C1004/C1005, LOCKER ROOMS, PE OFFICES, BOYS AND GIRLS RESTROOMS
A6.06 SCALE: 1/8" = 1'-0"



9 CORRIDOR- C1001A
A6.06 SCALE: 1/8" = 1'-0"

- GENERAL NOTES**
1. ALL MECHANICAL AND ELECTRICAL ROOMS SHALL BE LIFESAFED.
 2. ALL AREAS WITH CERAMIC TILE FLOORS SHALL HAVE CERAMIC TILE COVE BASE @ THE SAME USE AND FINISH AS THE CERAMIC WALL TILES.
 3. ALL PROXIMITY AREAS WITH CERAMIC TILE WALLS AND CLOSETS SHALL HAVE MIRROR TRIMMINGS, AND SHALL BE INSTALLED UNDER FLOORS AND SCISSOR TO FRAME PROFILE.
 4. PROVIDE METAL TRANSITION STRIPS UNDER LOCKERS AT ROOMS THAT DO NOT HAVE CERAMIC TILE.
 5. ALL QUARRY AND CERAMIC TILE AT RESTROOMS AND FOOD SERVICE AREAS TO HAVE 100% EPDM GROUT CONVENTIONAL GROUT AT ALL OTHER AREAS.
 6. SEALED CONCRETE AT CORNER/FREESTR LOCATIONS IS A BASE FOR PRE-FABRICATED UNIT FLOORINGS (SEE STRUCTURAL FOR KITCHEN).
 7. FINISHES SHOWN IN ONE AREA OF A ROOM OR CORRIDOR SHALL APPLY TO THE ENTIRE ROOM UNLESS OTHERWISE NOTED.
 8. FIELD CARPET TILES (CPT 1-3) ARE TO BE INSTALLED ANTI-CLOCKWISE WITH THE LINEAR PATTERN RUNNING PARALLEL WITH THE DIRECTION OF THE SOLID COLOR CARPET TILE ACCENTS (CPT 4-6).
 9. ALL SOLID COLORED CARPET TILES (CPT 4-6) ARE TO BE INSTALLED QUARTER TURNED.
 10. RECESSED SLABS ARE DIMENSIONED FROM INSIDE WALL TO INSIDE WALL WITH ALL CURB WALL CHANGING SHAPING AT FINISH FLOOR. FINISHED STEEL WALLS OR CURB ONLY ARE ACCEPTABLE SPACINGS. REFER TO STRUCTURAL DRAWINGS FOR ADDITIONAL INFORMATION. REFER TO ALL DIMENSIONS.
 11. ALL INTERIOR WALL PAINT SHALL BE AN EGGSHELL FINISH UNLESS NOTED OTHERWISE.
 12. ALL CLASSROOM DOOR ENTRANCES ALLOWANCES TO BE PAINTED - PITS 4 OR 5. REFER TO FINISH PLAN INTO DOOR OPENINGS / FRAMES.
 13. RETURN TERRAZZO BASE AND ALL WALL BASE INTO DOOR OPENINGS / FRAMES.
 14. ALL TRANSITIONS FROM TILE, TERRAZZO, QUARRY TILE, AND CONCRETE FLOORING TO EACH OTHER AND TO OTHER FLOORING FINISH MATERIALS SHALL BE MADE LEVEL BY FEATHERING GROUT BED IN LEVELS. FINISHED SURFACES WILL NOT BE ACCEPTED.



**NEW 3 SECTION ELEMENTARY SCHOOL
AT FISK-HOWARD SCHOOL
RECOVERY SCHOOL DISTRICT**

211 S. LOPEZ STREET NEW ORLEANS, LOUISIANA 70119

DATE ISSUED: 7 DECEMBER, 2012
REVISED:
REVISED:
REVISED:
REVISED:
DRAWN BY: SMB, HML
CHECKED BY: DGR, JFM
PHASE:

BID DOCUMENTS

11085

TITLE:
**ENLARGED FLOOR
FINISH PLANS**

SHEET:
A6.06