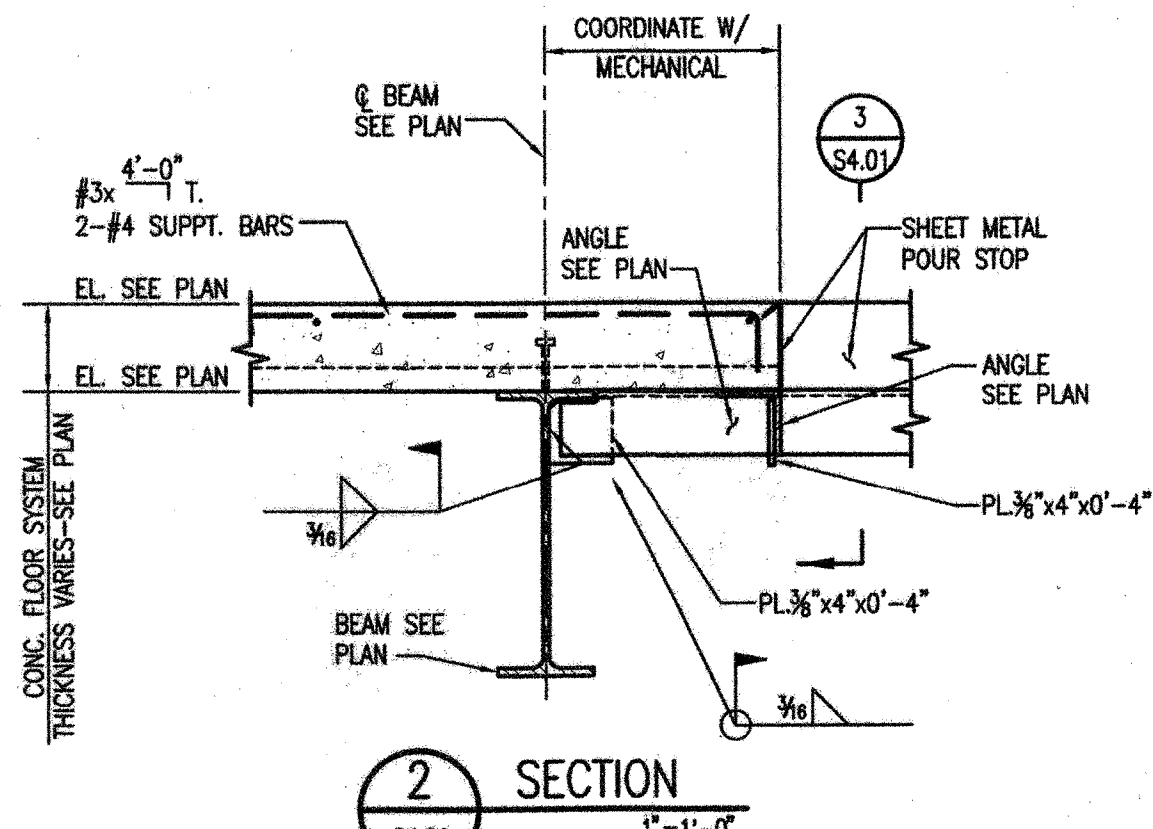
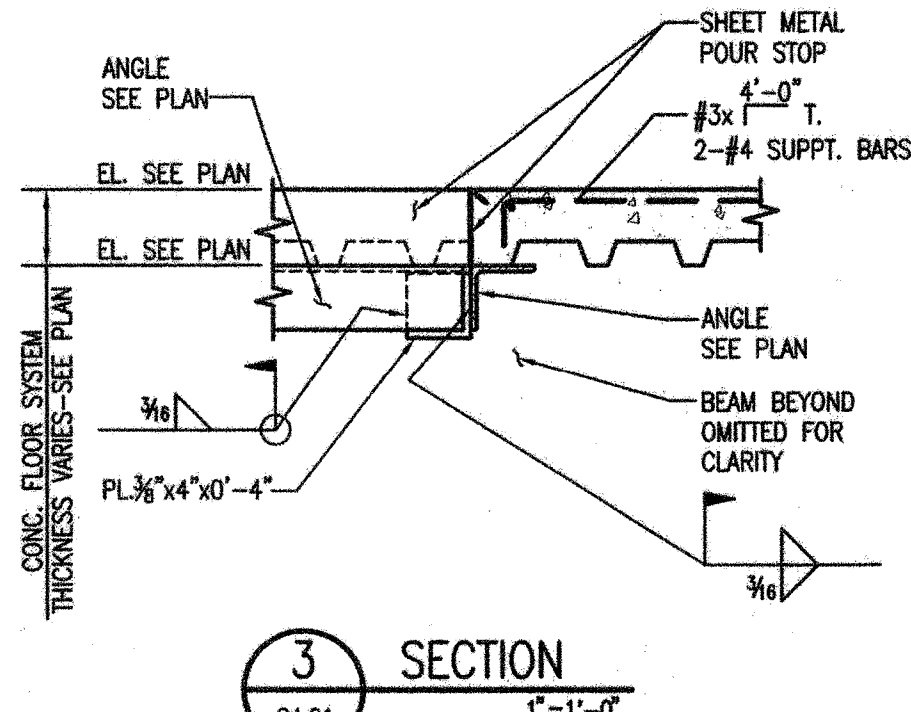


NOTES:
 1. COORDINATE SIZE AND LOCATION OF ALL OPENINGS WITH MECHANICAL.
 2. FRAME OPENINGS AT ROOF SIMILAR.
 3. ANY OPENINGS WHICH CANNOT BE FRAMED AS SHOWN SHALL BE BROUGHT TO THE ENGINEER'S ATTENTION FOR REVIEW.

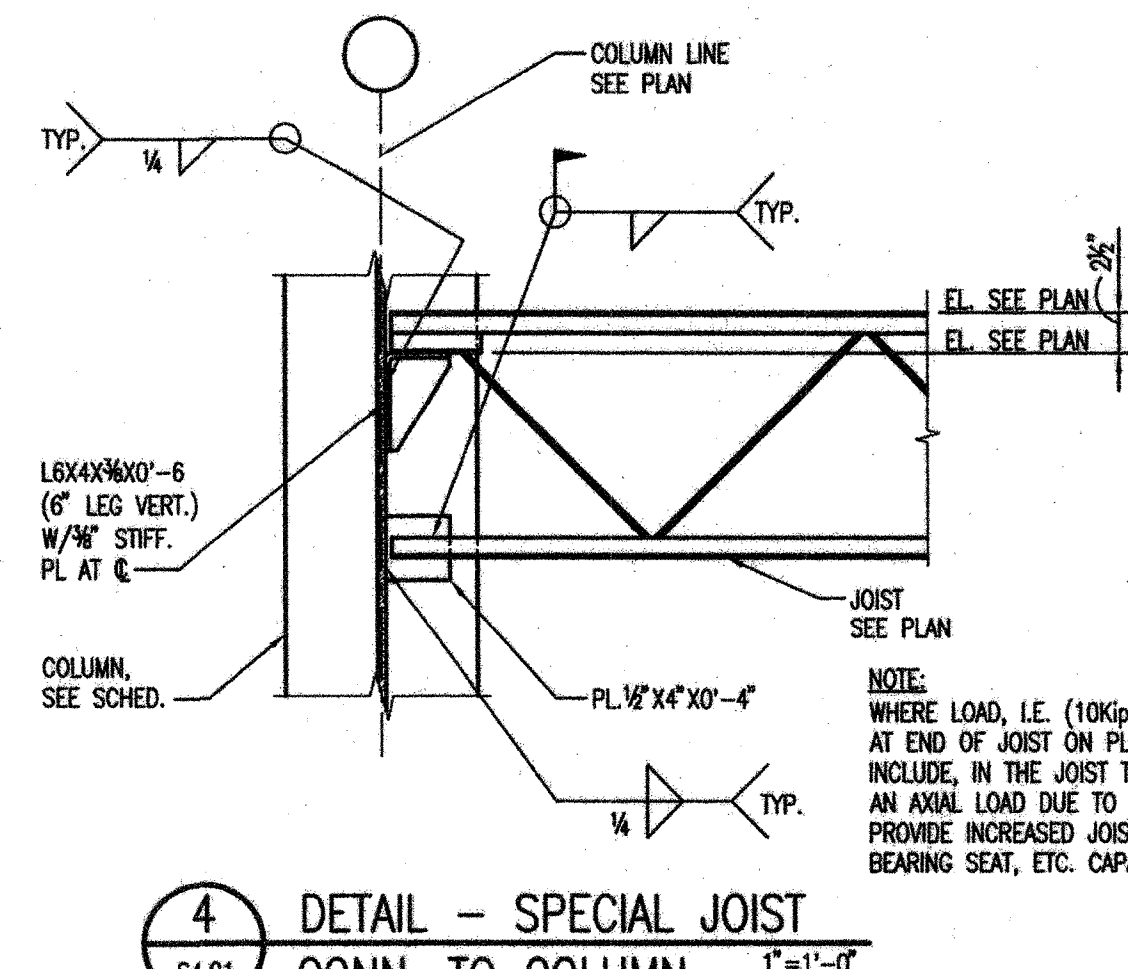
1 PLAN DETAIL-TYP. SLAB OPENING
 S4.01 1/2"=1'-0"



2 SECTION
 S4.01 1"=1'-0"

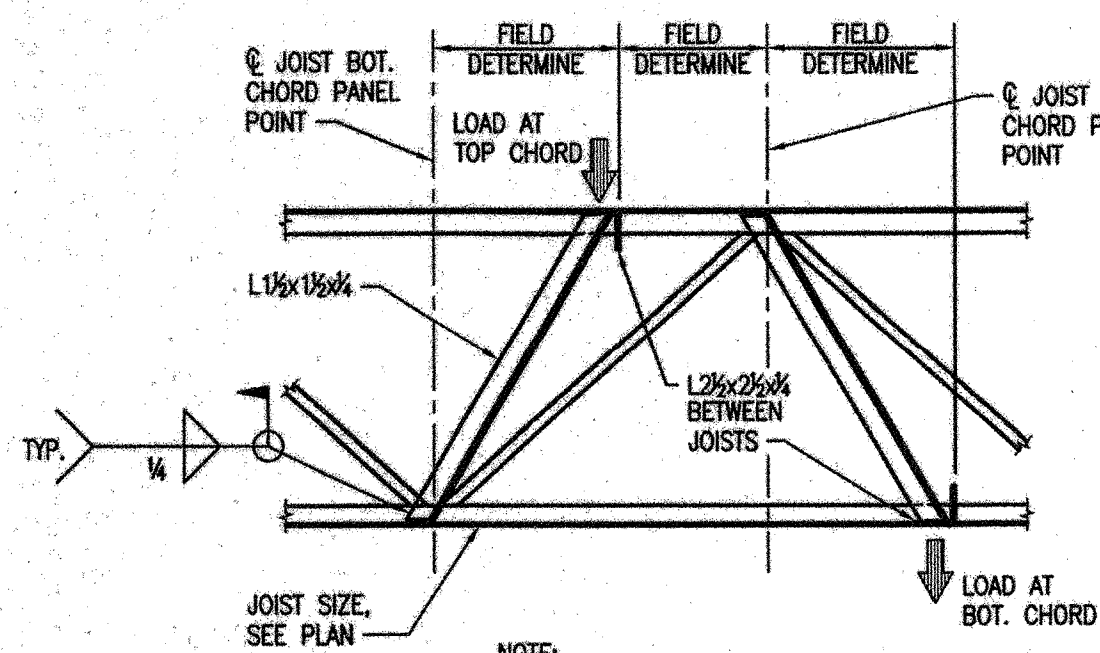


3 SECTION
 S4.01 1"=1'-0"



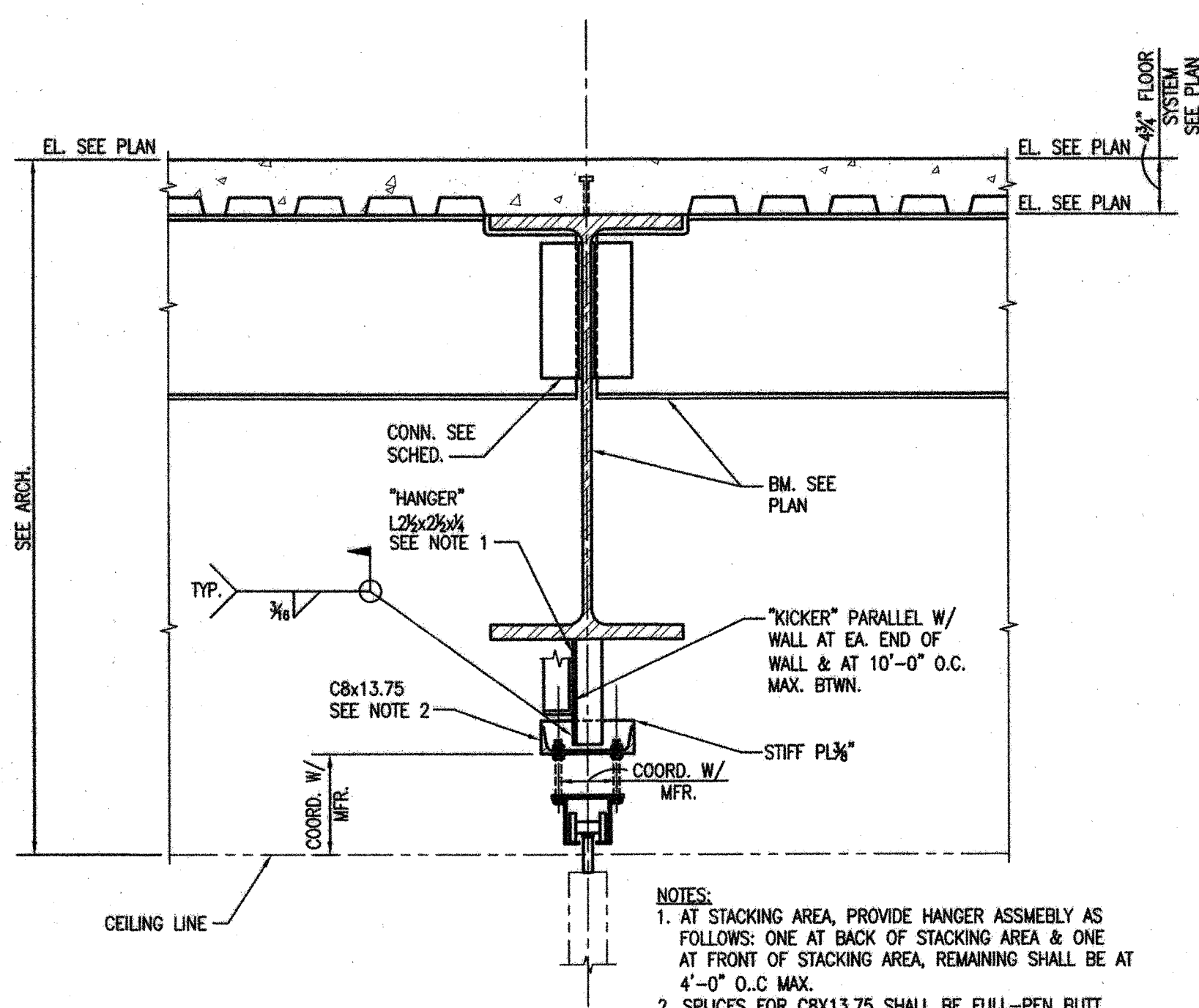
4 DETAIL - SPECIAL JOIST CONN. TO COLUMN
 S4.01 1"=1'-0"

NOTE:
 WHERE LOAD, I.E. (10KIPS), IS INDICATED AT END OF JOIST ON PLAN, MFR. TO INCLUDE, IN THE JOIST TOP CHORD DESIGN, AN AXIAL LOAD DUE TO LATERAL LOADS. PROVIDE INCREASED JOIST TOP CHORD, BEARING SEAT, ETC. CAPACITY AS REQUIRED.



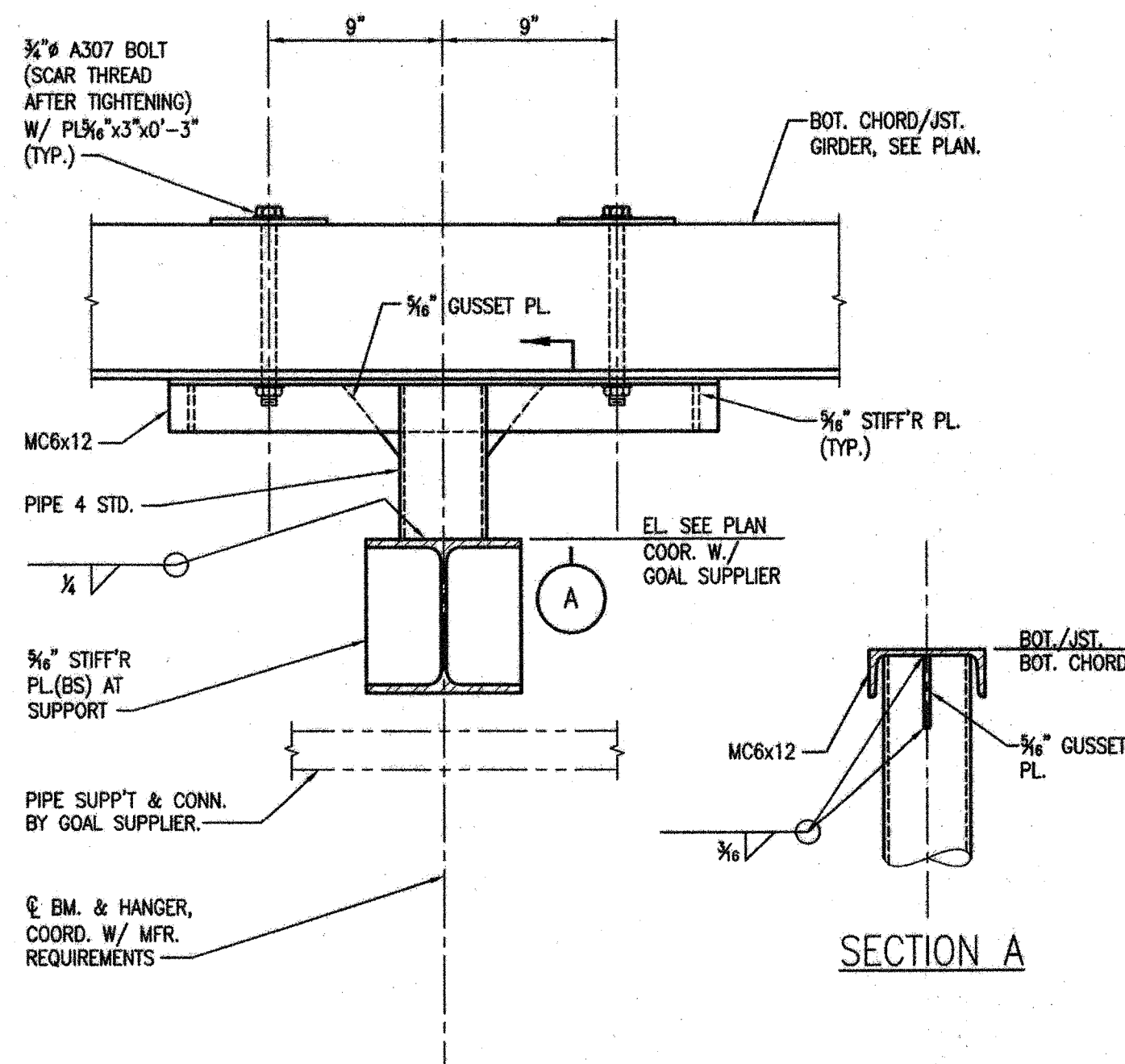
NOTE:
 PROVIDE CHORD REINF. FOR ALL CONCENTRATED LOADS GREATER THAN SOILS LOCATED MORE THAN 6" FROM C/PANEL POINT.

5 DETAIL - TYPICAL JOIST REINF. AT CONC. LOAD
 S4.01 1"=1'-0"



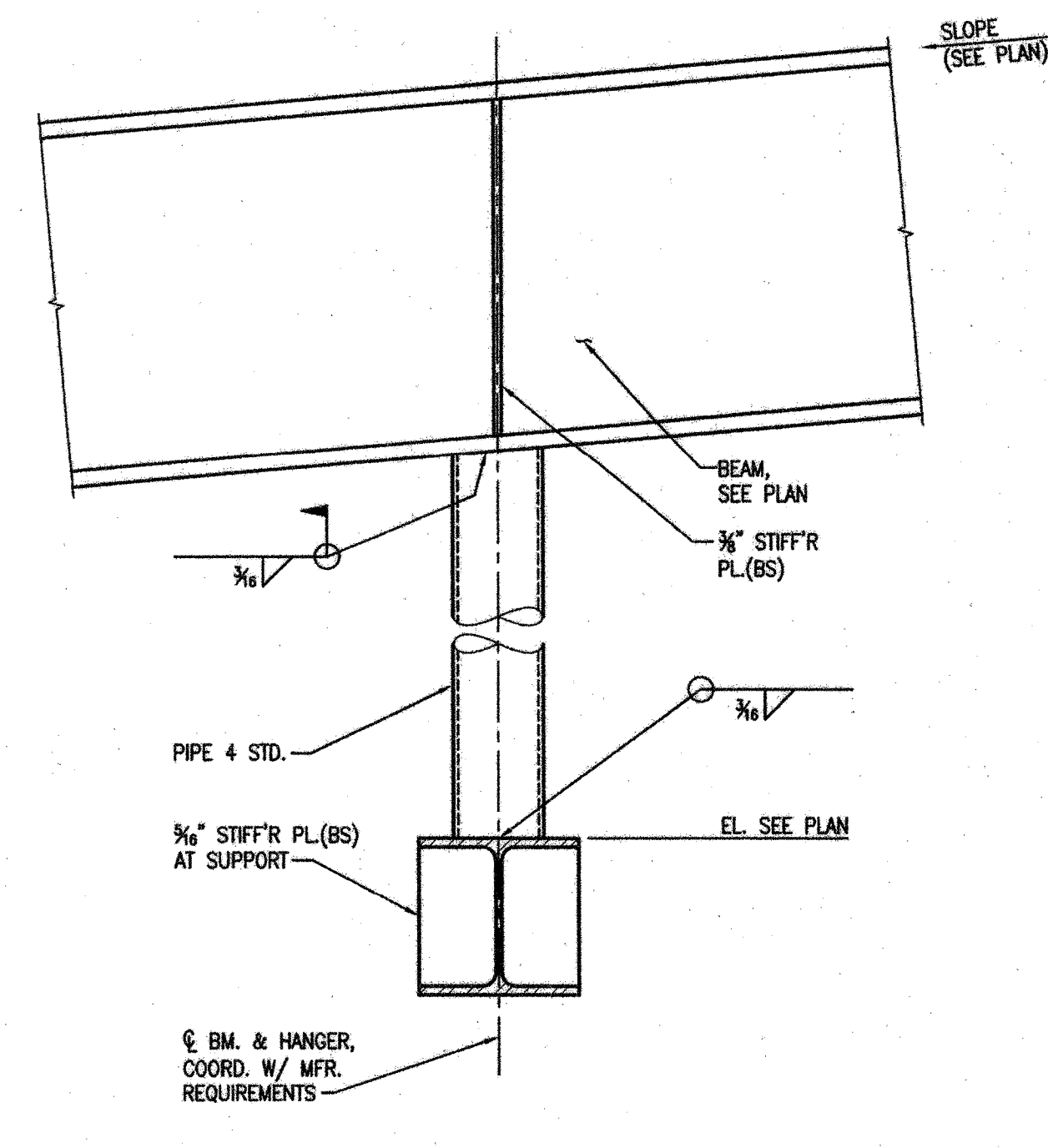
NOTES:
 1. AT STACKING AREA, PROVIDE HANGER ASSEMBLY AS FOLLOWS: ONE AT BACK OF STACKING AREA & ONE AT FRONT OF STACKING AREA, REMAINING SHALL BE AT 4'-0" O.C. MAX.
 2. SPLICES FOR C8X13.75 SHALL BE FULL-PEN BUTT WELDS

6 SECTION-FOLDING PARTITION
 S4.01 1"=1'-0"

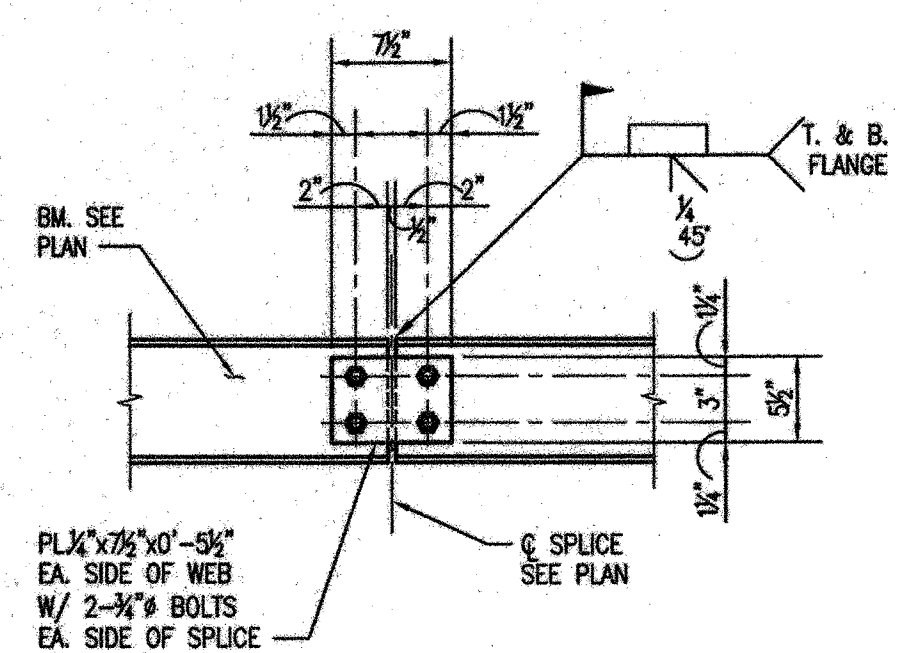


SECTION A

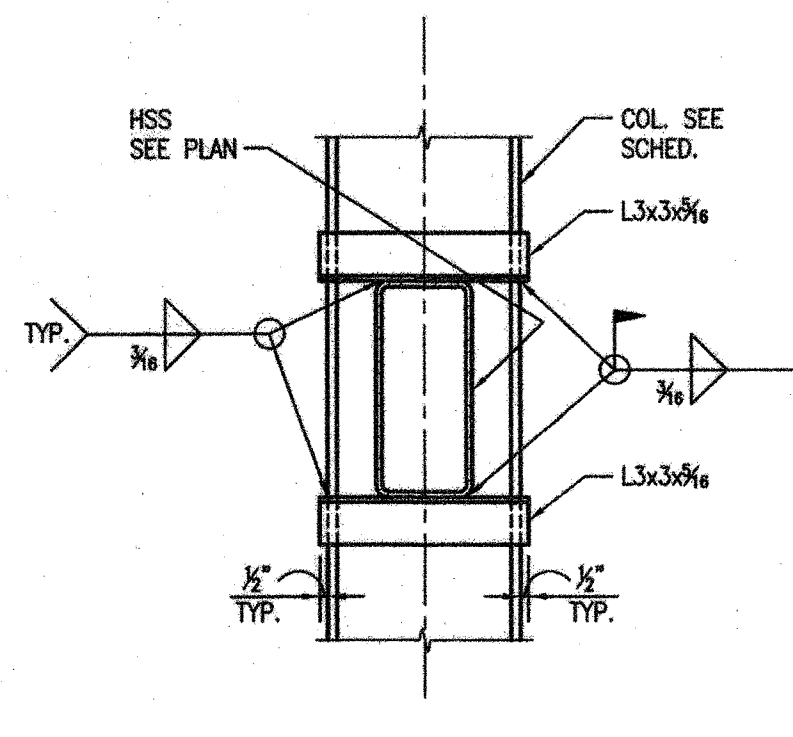
7 SECTION AT W8x31 TO JOIST CONNECTION
 S4.01 1 1/2"=1'-0"



8 SECTION AT W8x31 TO BEAM CONNECTION
 S4.01 1 1/2"=1'-0"



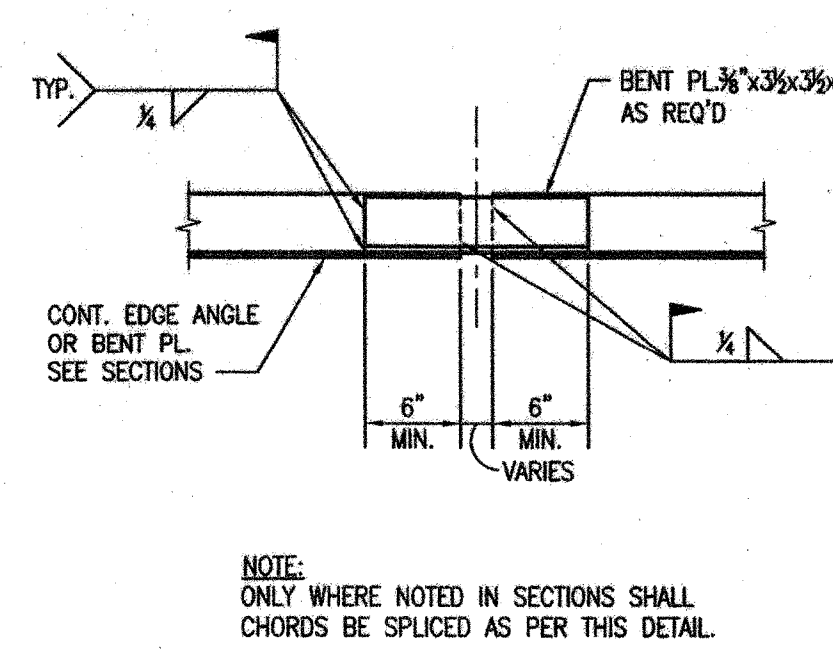
9 DETAIL
 S4.01 1"=1'-0"



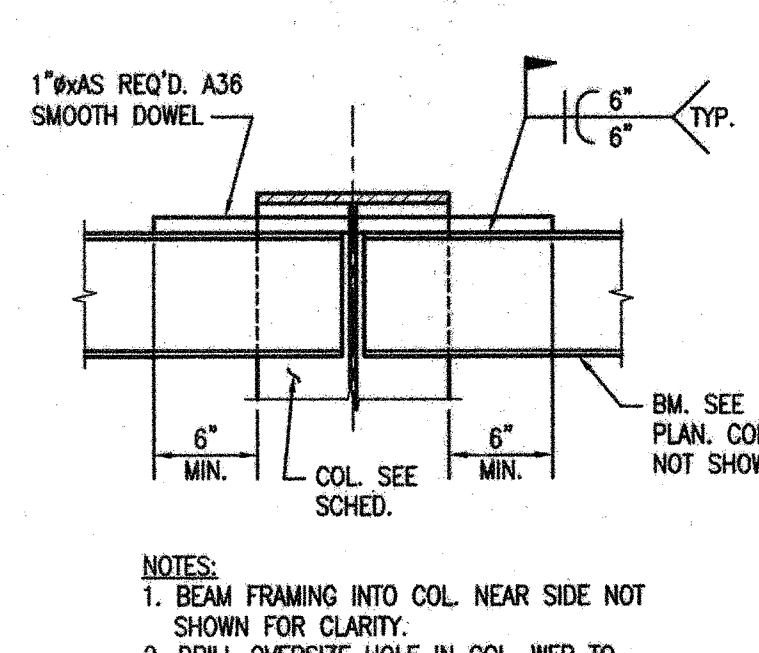
10 DETAIL-TYP. HSS BEAM TO COLUMN CONNECTION
 S4.01 1"=1'-0"



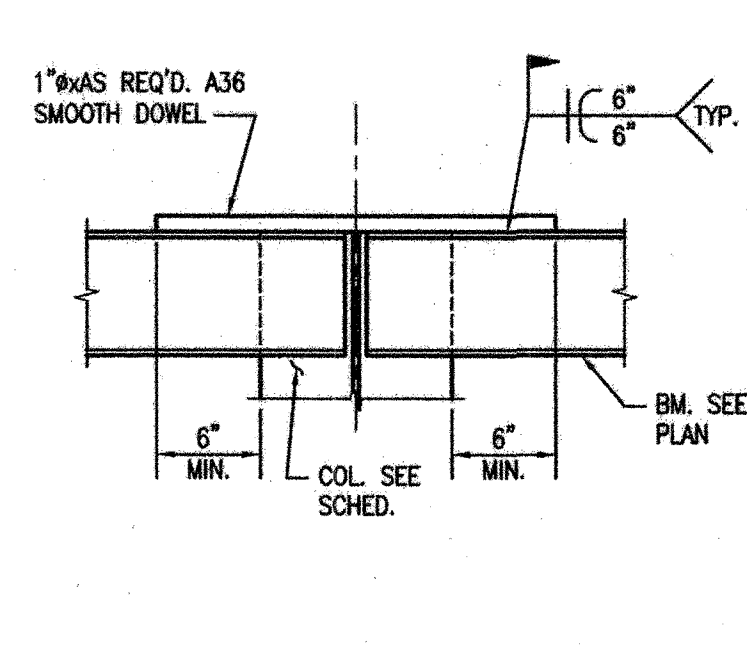
11 DETAIL-TYP. HSS BEAM TO BEAM CONNECTION
 S4.01 1"=1'-0"



12 DETAIL-TYP. ANGLE CHORD SPLICE
 S4.01 1"=1'-0"



13 DETAIL-TYP. ROD DRAG TIE THRU COLUMN
 S4.01 1"=1'-0"



14 DETAIL-TYP. ROD DRAG TIE OVER COLUMN
 S4.01 1"=1'-0"

NEW 3 SECTION ELEMENTARY SCHOOL
 AT FISK-HOWARD SCHOOL
 RECOVERY SCHOOL DISTRICT

211 S. LOPEZ STREET NEW ORLEANS, LOUISIANA 70119

DATE ISSUED: 7 DECEMBER, 2012
 REVISED:
 REVISED:
 REVISED:
 REVISED:
 DRAWN BY: WFD
 CHECKED BY: JAS
 PHASE:

BID DOCUMENTS

11085

TITLE:
 MISC. STEEL SECTIONS & DETAILS

SHEET:

S4.01