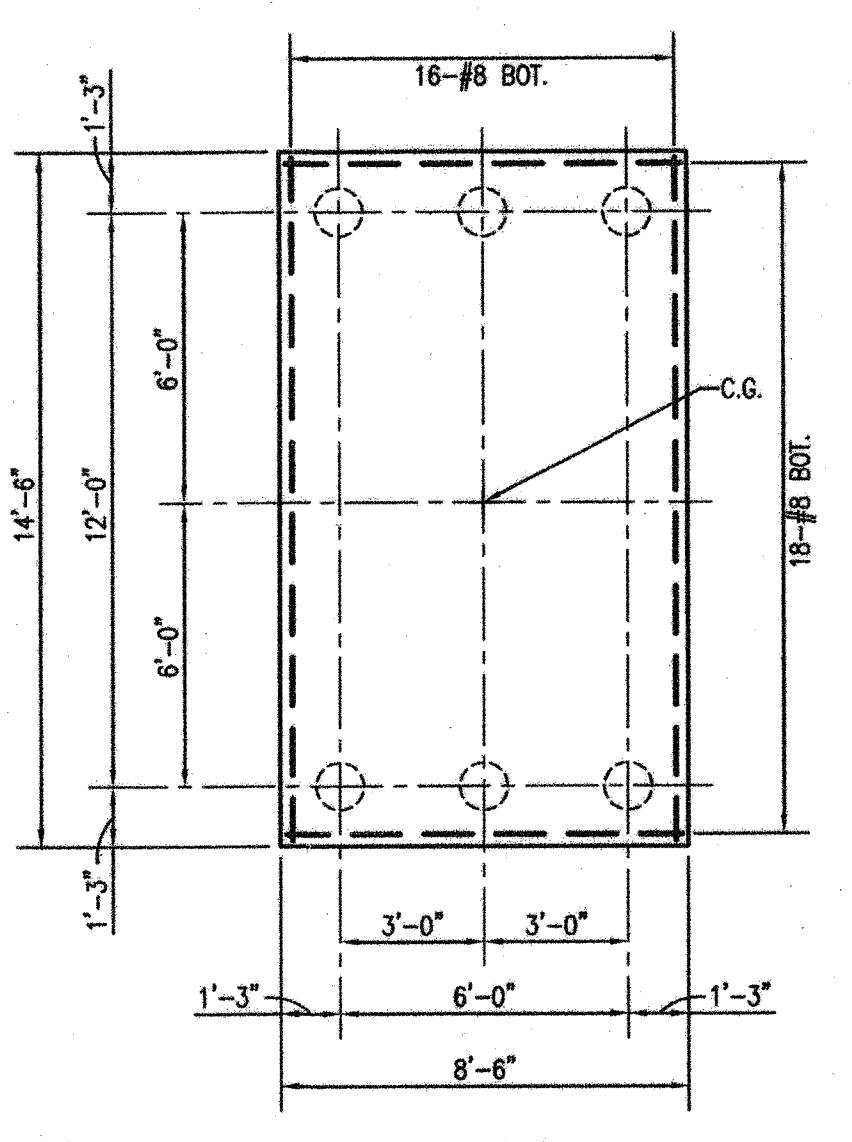
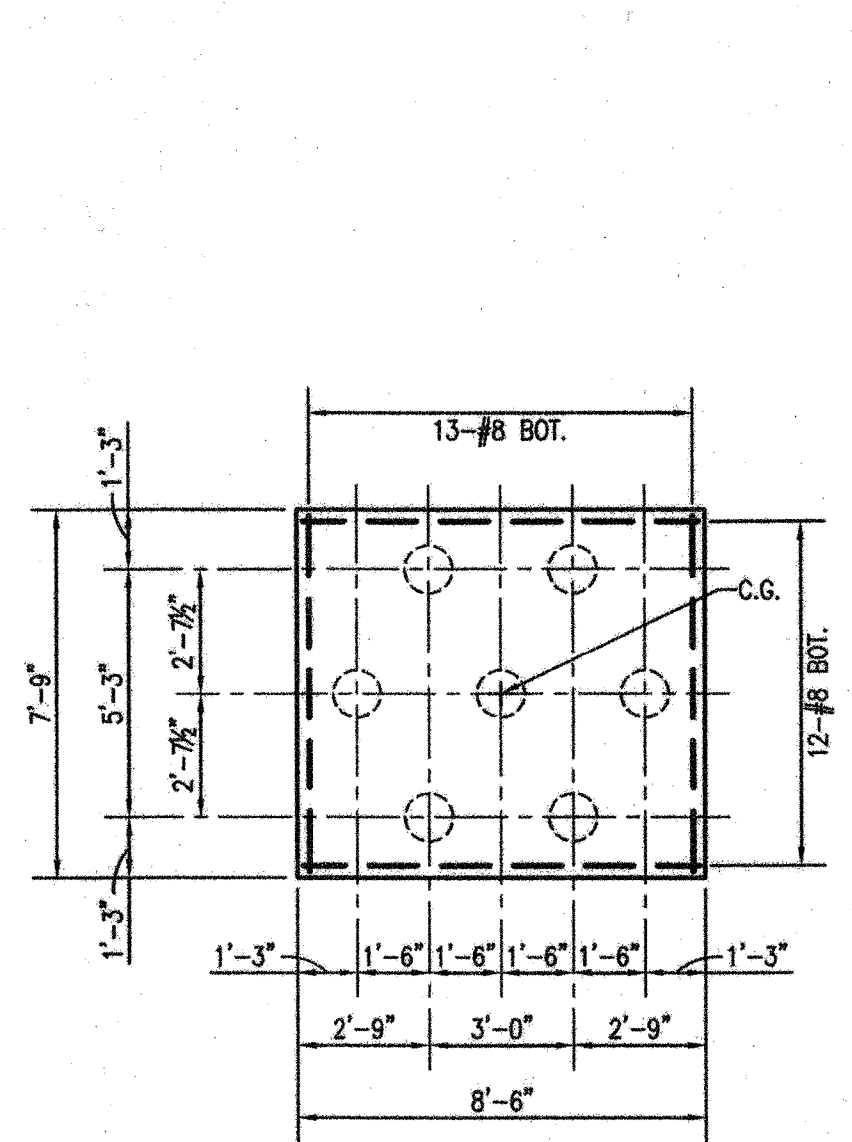


1 DETAIL-6 PILE CAP (6PA) 1/4"=1'-0" S0.02

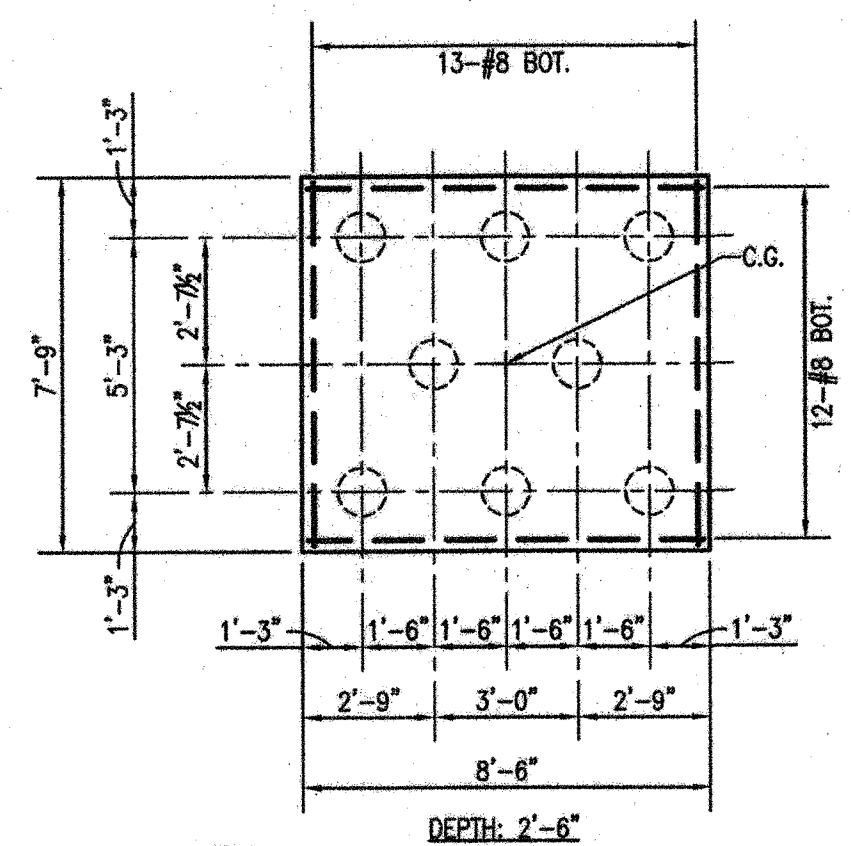
2 DETAIL-6 PILE CAP (6PA)(T) 1/4"=1'-0" S0.02



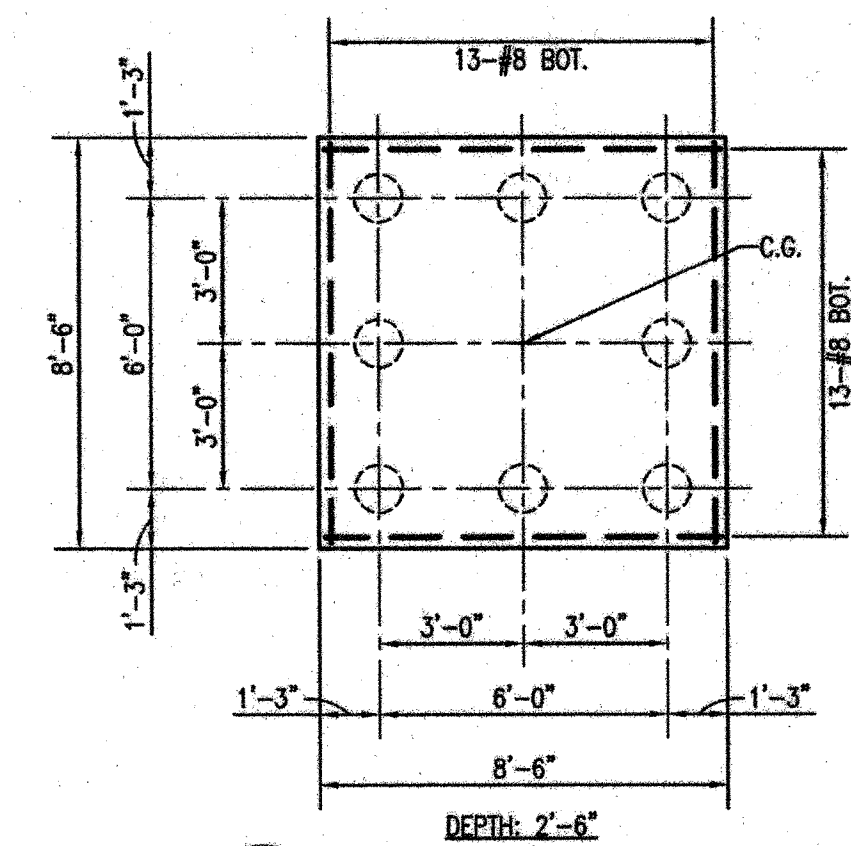
3 DETAIL-6 PILE CAP (6PB) 1/4"=1'-0" S0.02



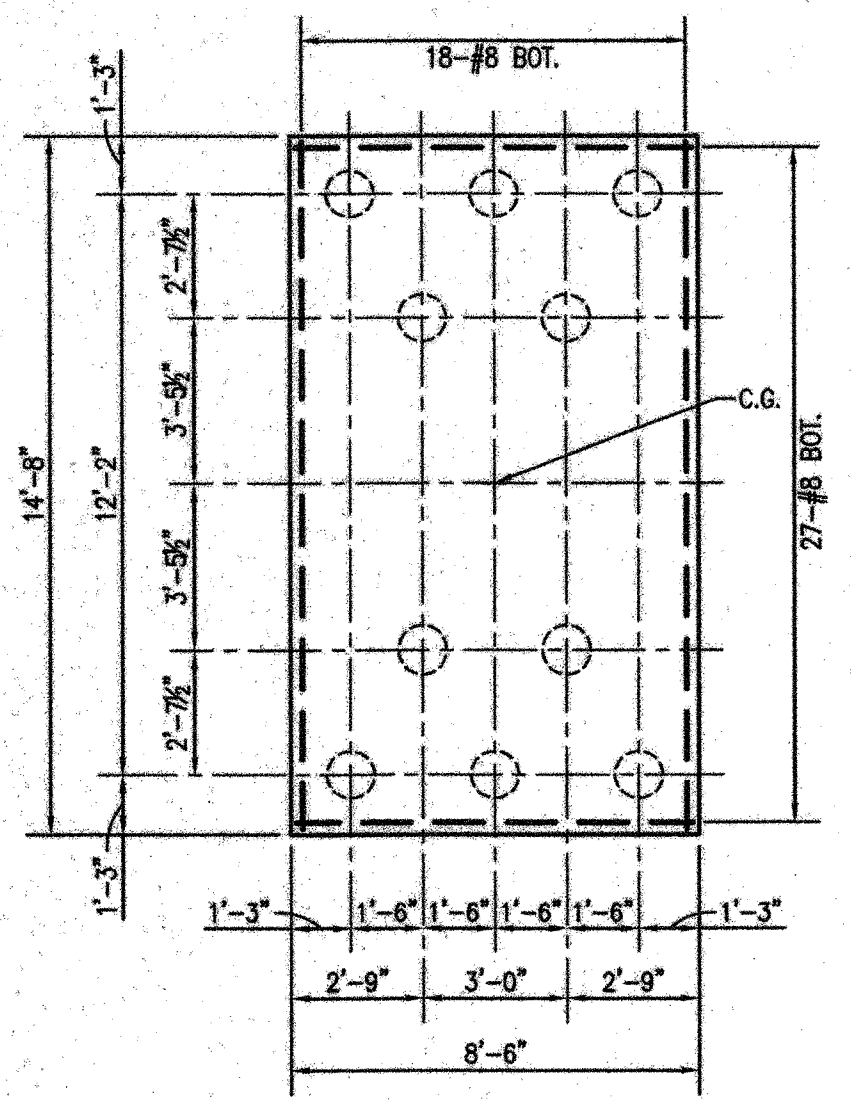
4 DETAIL-7 PILE CAP (7PA) 1/4"=1'-0" S0.02



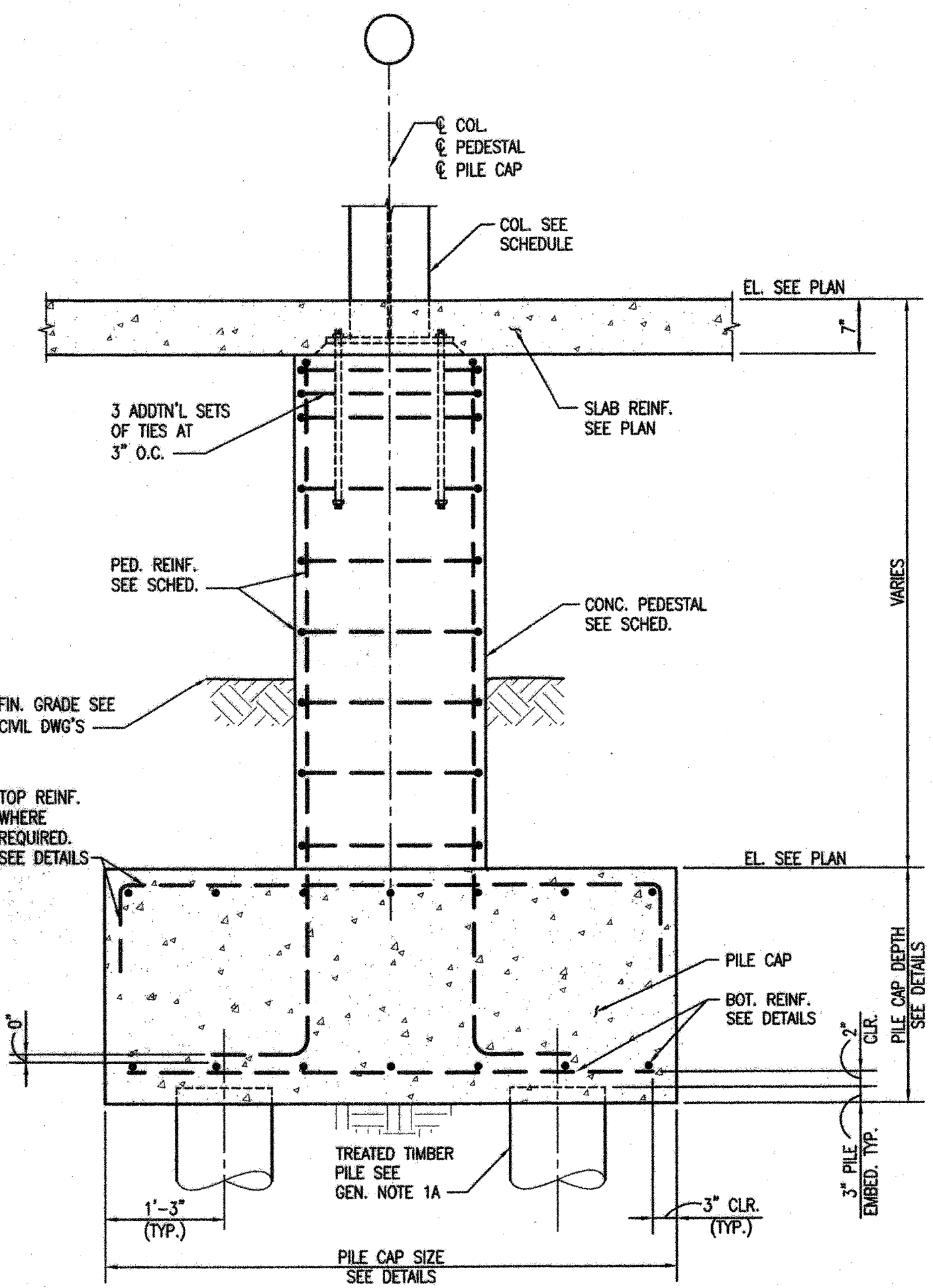
5 DETAIL-8 PILE CAP (8PA) 1/4"=1'-0" S0.02



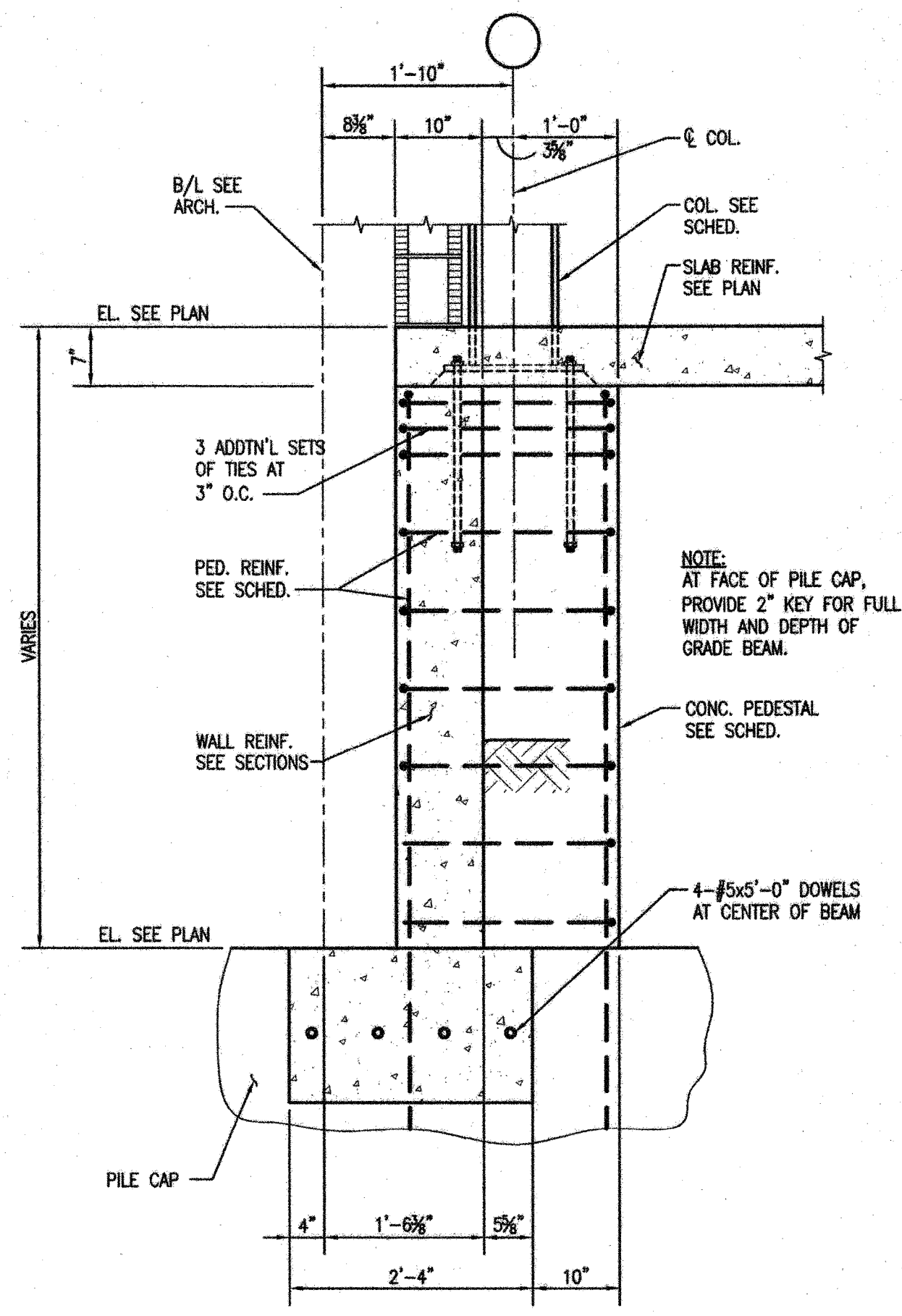
6 DETAIL-8 PILE CAP (8PB) 1/4"=1'-0" S0.02



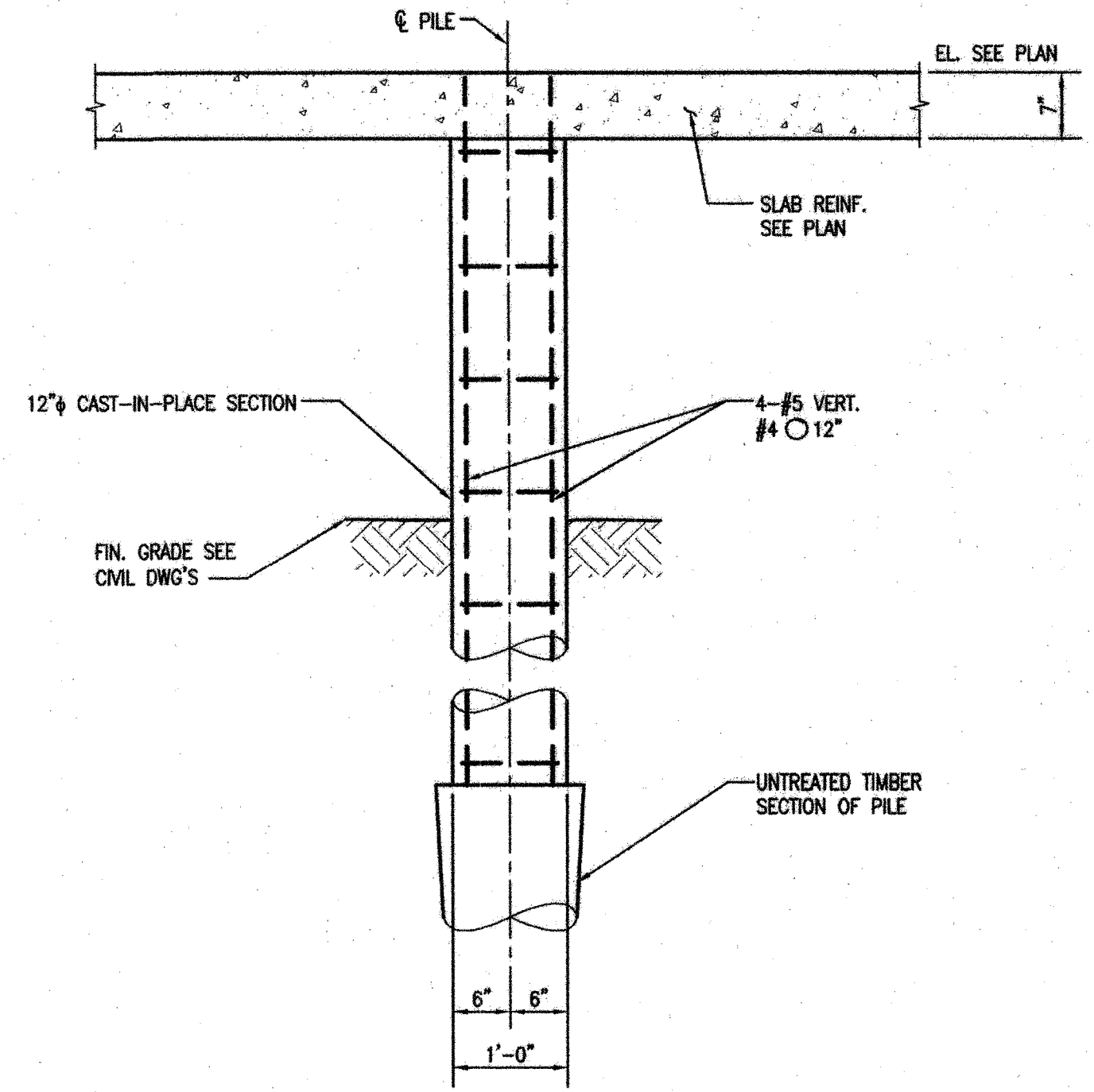
7 DETAIL-10 PILE CAP (10PA) 1/4"=1'-0" S0.02



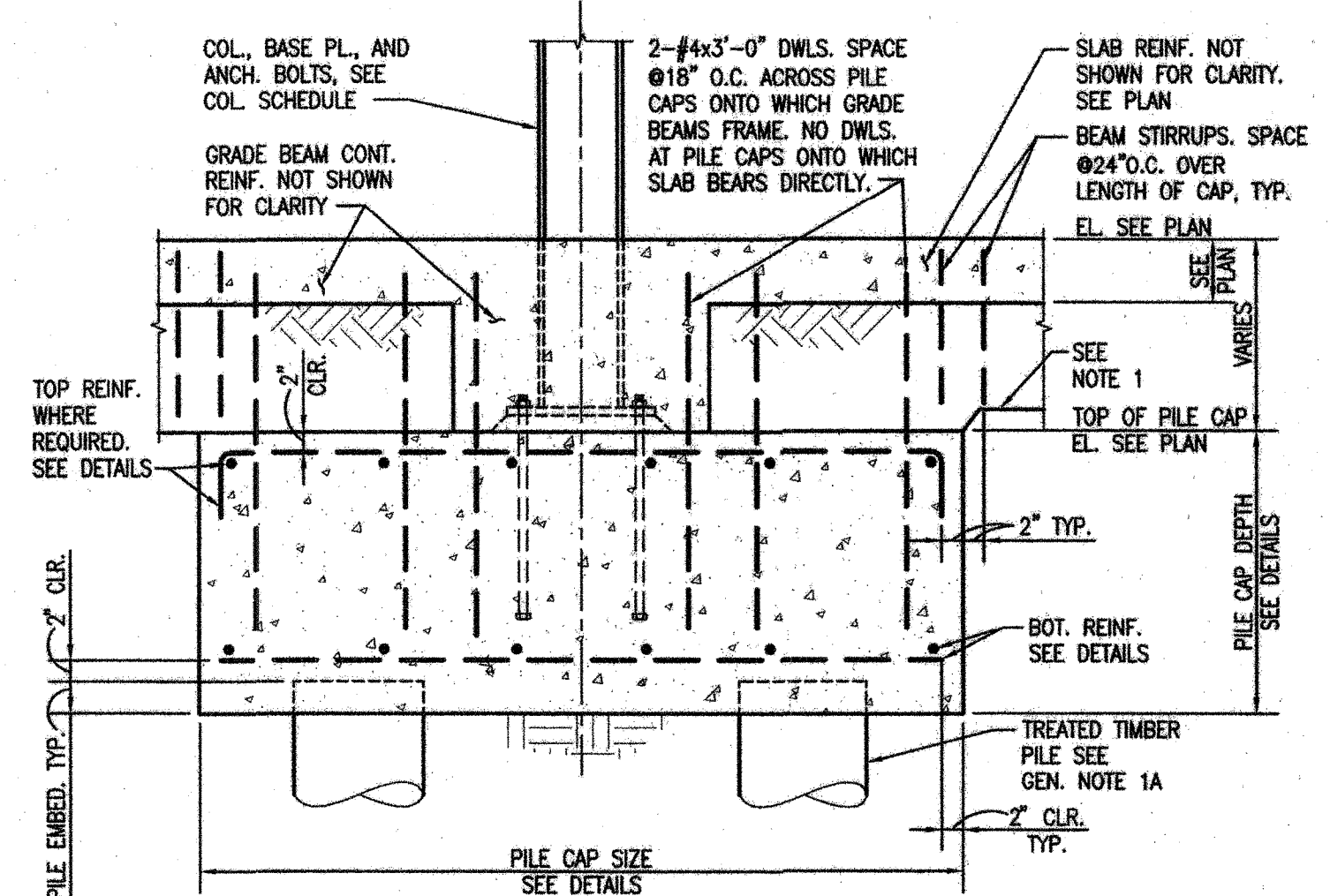
9 TYPICAL INTERIOR PILE CAP DETAIL 3/4"=1'-0" S0.02



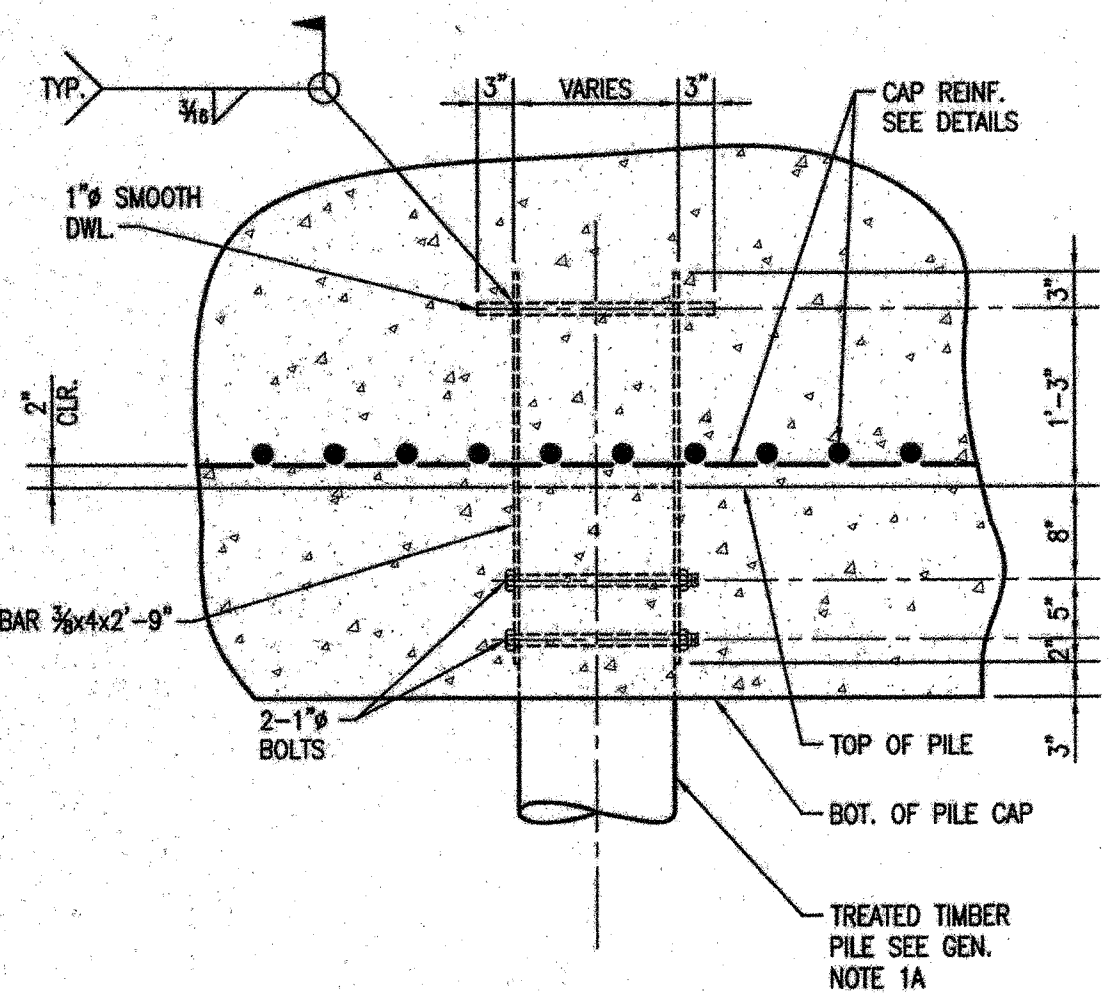
10 TYPICAL EXTERIOR PILE CAP DETAIL 3/4"=1'-0" S0.02



11 TYPICAL SINGLE COMPOSITE PILE DETAIL 3/4"=1'-0" S0.02



12 TYPICAL PILE CAP DETAIL AT STEEL COLUMN ON CAP S0.02



8 DETAIL-TENSION PILE CONNECTOR 3/4"=1'-0" S0.02

NOTES:
1. ALL SIDES OF PILE CAP TO BE FORMED.

NOTES:
1. ALL SIDES OF PILE CAP TO BE FORMED.

NOTES:
1. WHERE BOTTOM OF GRADE BEAM IS ABOVE TOP OF PILE CAP, POUR DOWN, AT FACE OF PILE CAP, GRADE BEAM TO TOP OF CAP. WHERE BOTTOM OF GRADE BEAM IS BELOW TOP OF PILE CAP PROVIDE A 3" DEEP KEY, FULL WIDTH OF BEAM, AT FACE OF PILE CAP PROVIDE DOWELS, SAME SIZE AND QUANTITY AS BEAM REINFORCING.
2. ALL SIDES OF PILE CAP TO BE FORMED.

**NEW 3 SECTION ELEMENTARY SCHOOL
AT FISK-HOWARD SCHOOL
RECOVERY SCHOOL DISTRICT**

211 S. LOPEZ STREET NEW ORLEANS, LOUISIANA 70119

DATE ISSUED:	7 DECEMBER, 2012
REVISED:	
REVISED:	
REVISED:	
REVISED:	
DRAWN BY:	WFD
CHECKED BY:	JAS
PHASE:	

BID DOCUMENTS

11085

TITLE:
PILE CAP & FOUNDATION DETAILS

SHEET:

S0.02