

SEE ELEVATIONS SHEET A-2
FOR EQUIPMENT LOCATION

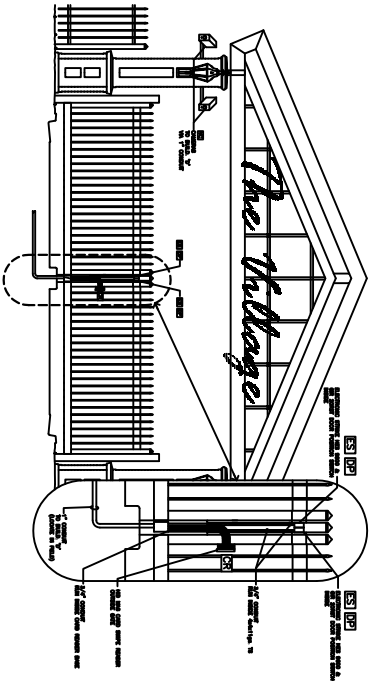
ACCESS CONTROL SYMBOL LEGEND

CR	= LHO Slide Card Reader WR4445
ES	= ELECTRIC STRIKE H.E.S. 9800
DP	= DOOR POSITION SWITCH - DR 20MS1 (SENSOR)
VC	= CAMERA
⊕	= JUNCTION BOX

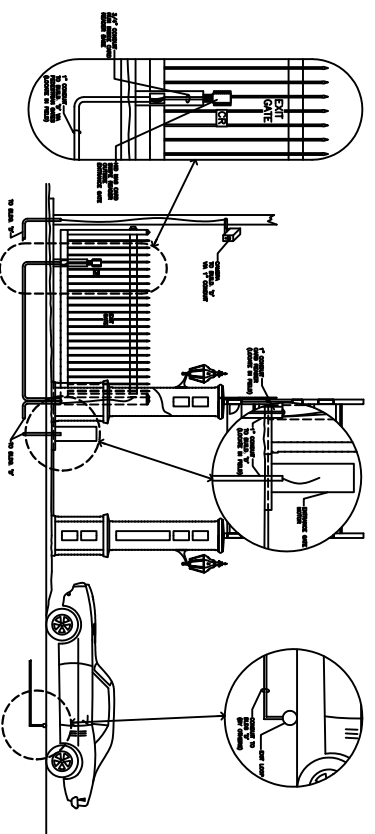
SCALE/AS NOTED
FILE:
JOB NO. 1807
DATE: 4-29-07
SHEET 1
A-1
OF 2

UNIVERSITY OF SOUTHERN MS
DAMMON ENGINEERING, INC.
 1095 FLORIDA AVENUE 985-849-5882 SLIDELL, LA. 70458
 DAMMONENGINEERING.COM

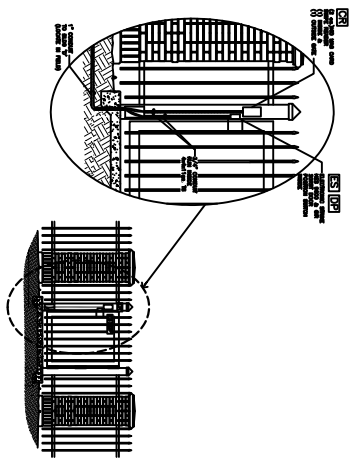
GATE PLANS
 THE VILLAGE
 UNIVERSITY OF
 SOUTHERN MISSISSIPPE



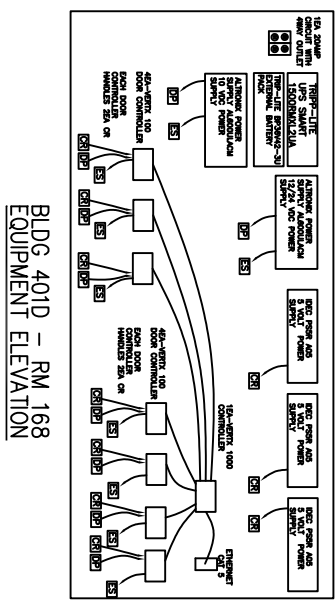
MAIN GATE W/MAG LOCKS & CARD READER
FRONT ELEVATION
SCALE 1/4" = 1'-0"



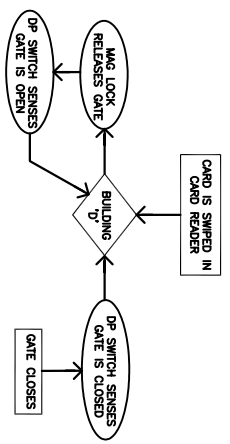
MAIN GATE W/CARD READER & EXIT LOOP
RIGHT SIDE ELEVATION
SCALE 1/4" = 1'-0"



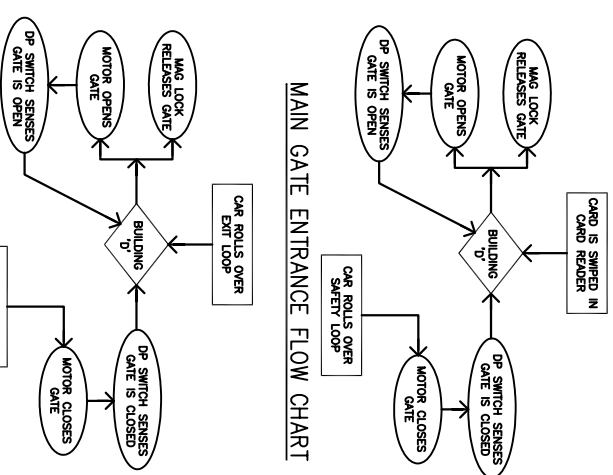
PEDESTRIAN GATE ELEVATION
SCALE 3/4" = 1'-0"



BLDG 401D - RM 168
EQUIPMENT ELEVATION



PEDESTRIAN GATE FLOW CHART



MAIN GATE ENTRANCE FLOW CHART

MAIN GATE EXIT FLOW CHART

SCALE:AS NOTED
FILE:
JOB NO. 1807
DATE:4-29-07
SHEET 2
A-2
OF 2

UNIVERSITY OF SOUTHERN MS
DAMMON ENGINEERING, INC.
1095 FLORIDA AVENUE 985-849-5852 SLIDELL, LA. 70458
DAMMONENGINEERING.COM

ELEVATIONS
THE VILLAGE
UNIVERSITY OF
SOUTHERN MISSISSIPPI