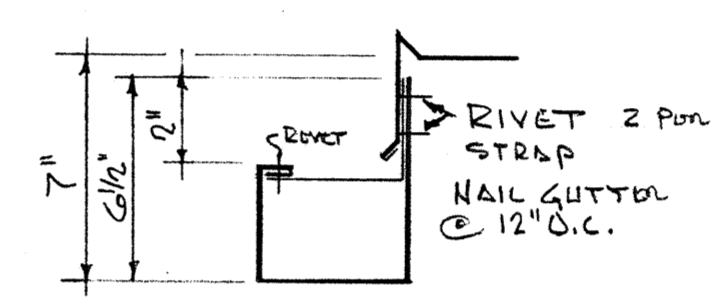
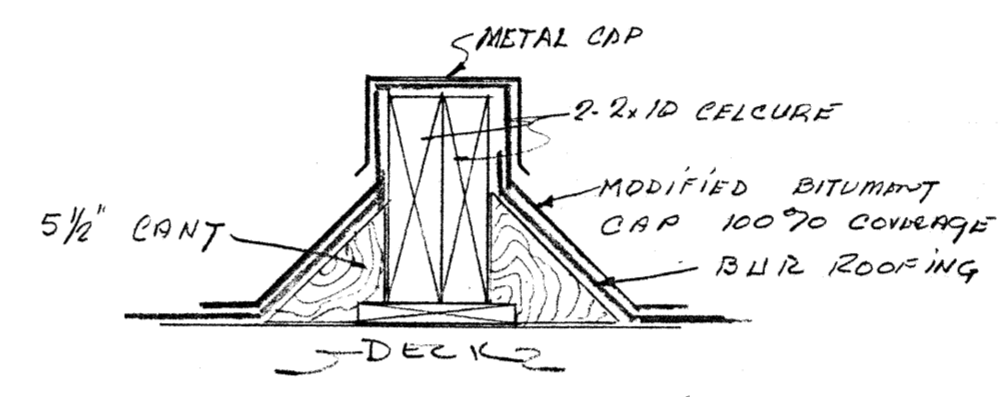
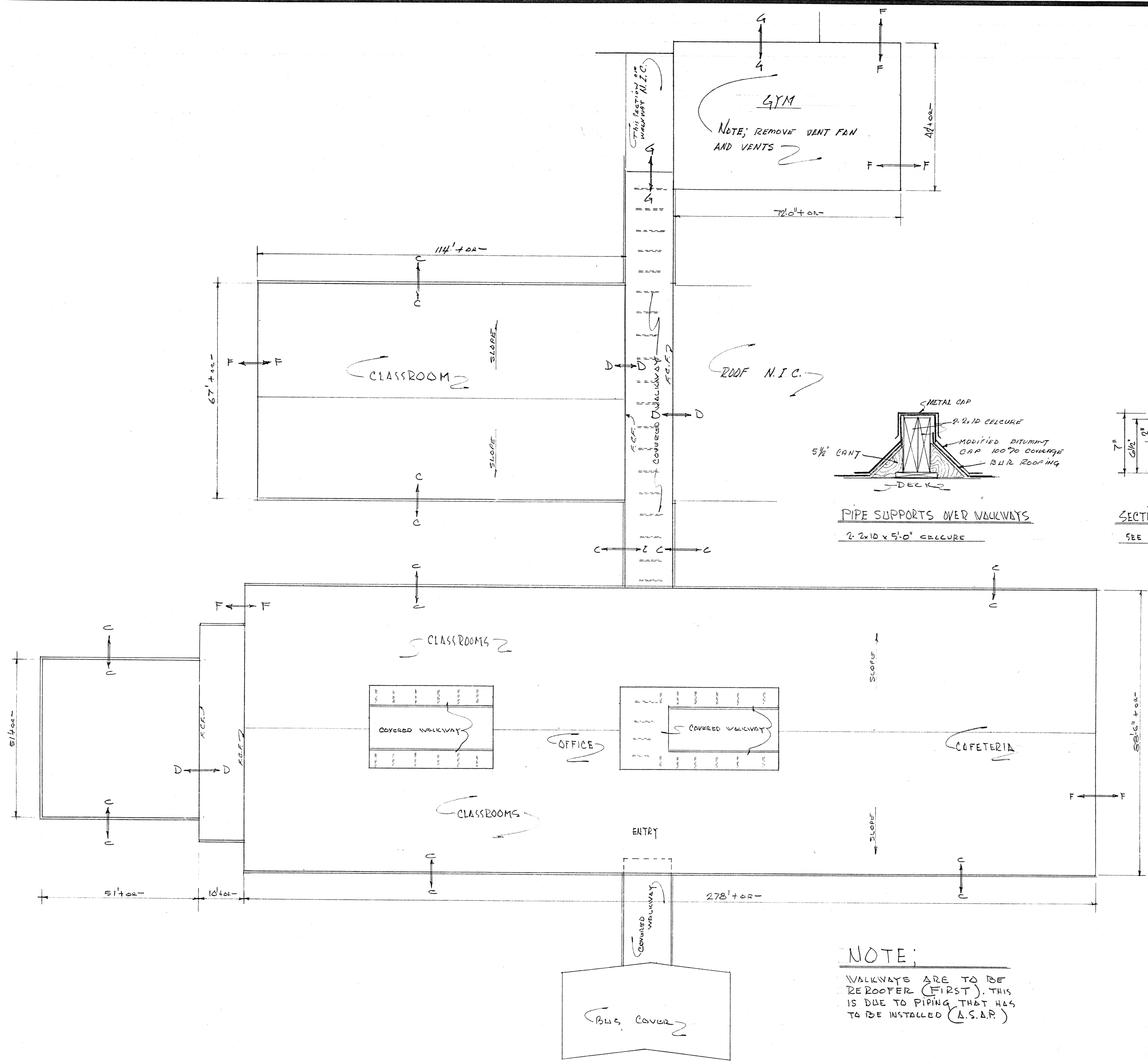


REVISIONS	BY



- NOTES**
1. CONTRACTORS BIDDING ON THIS PROJECT ARE URGED TO MAKE ON SITE INSPECTION TO GAIN THE FULL SCOPE OF WORK ENTAILED.
 2. WHERE ITEMS ARE REMOVED FROM DECK, DECK REWORK WILL BE THE CONTRACTORS RESPONSIBILITY.
 3. ALL VENTS, GRAVEL STOP, GUTTER, DOWNSPOUTS AND RELATED METAL ARE TO BE REMOVED AND NEW 16 OZ. COPPER ONES REPLACED.
 4. ALL ROOFING & SHEETMETAL MUST MEET THE LATEST "N.R.C.A." & "SMACNA" REQUIREMENTS.
 5. GUTTERS TO HAVE MAX. RUN OF 40'-0" AND FULL LENGTH DOWNSPOUTS EVERY 30'-0" WITH SPLASH PAN ON THIS PROJECT.
 6. ALL HOODS, EX. FANS, STACKS AND VENTS THAT DONOT HAVE CURBS THAT ARE A MIN. OF 8" ABOVE THE ROOF LINE CONTRACTOR IS REQUIRED TO RAISE OR BUILD CURBS TO 8" ABOVE ROOF LINE.
 7. CONTRACTOR IS RESPONSIBLE FOR VERIFICATION OF ALL DIMENSIONS ON THIS LAYOUT.
 8. VENTS, FANS, AND LEAD FLASHINGS ARE NOT SHOWN ON THIS LAYOUT BUT ARE TO BE REPLACED UNDER THIS CONTRACT.

- LEGEND**
- PIPE SUPPORTS @ 5'-0" O.C. MAX. SEE DETAIL
 - ===== 16 OZ. COPPER GUTTER WITH FULL LENGTH DOWNSPOUTS AND SPLASH PANS 30'-0" MAX. O.C.

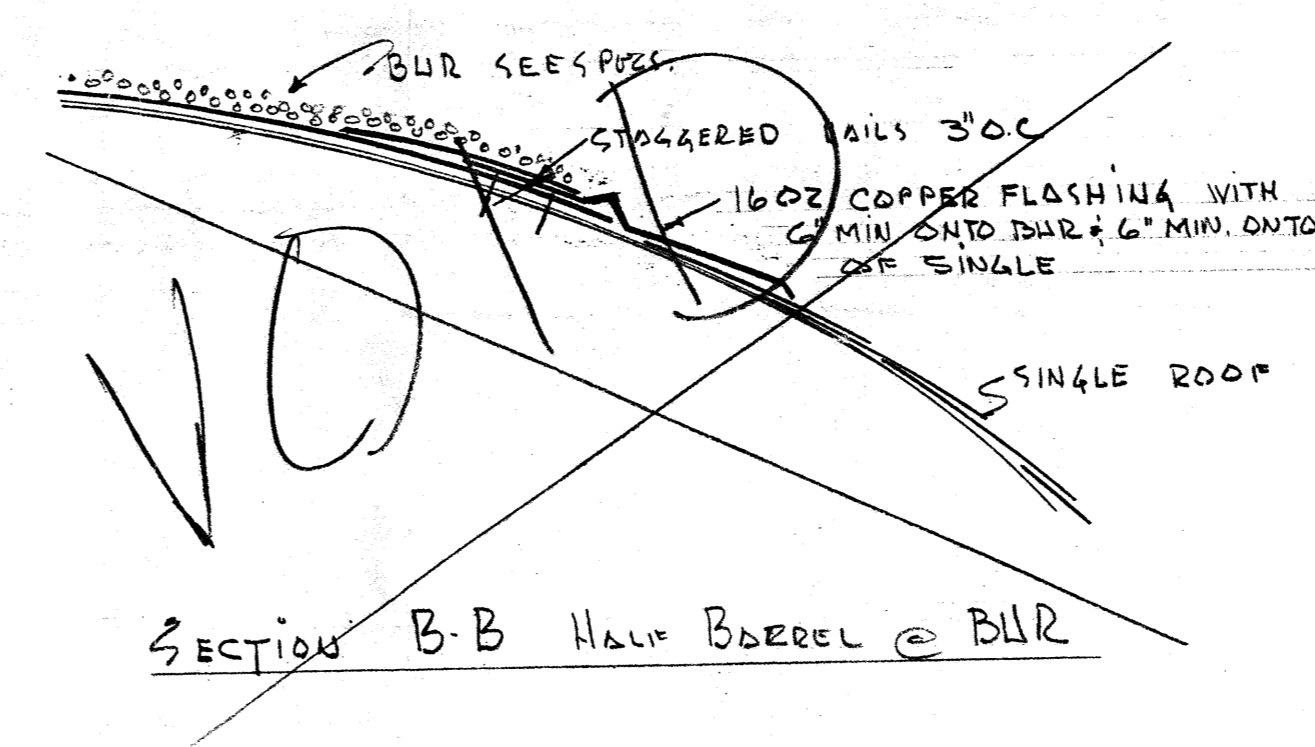
NOTE:
WALKWAYS ARE TO BE REROOFER (FIRST). THIS IS DUE TO PIPING THAT HAS TO BE INSTALLED (A.S.A.P.)

PEROF LAYOUT FOR
ABNEY ELEMENTARY SCHOOL
 SLIDELL, LA.
 BY ROOF CONSULTANTS & SURVEILLANCE SERVICE

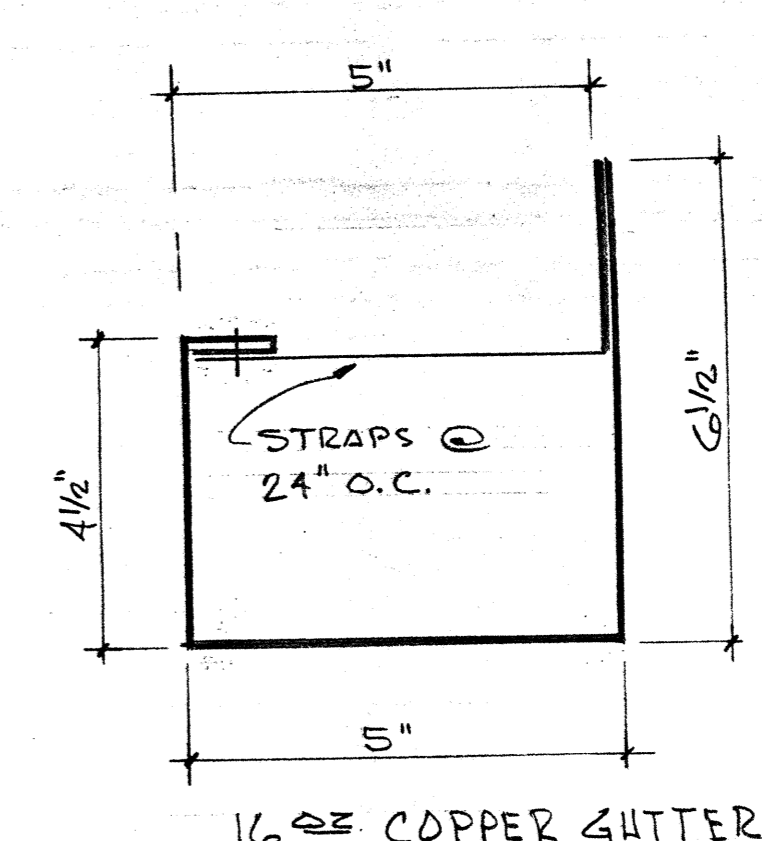
DRAWN	JOHN MOORE
CHECKED	
DATE	8-31-86
SCALE	NONE
JOB NO.	
SHEET	
1	2
OF	SHEETS



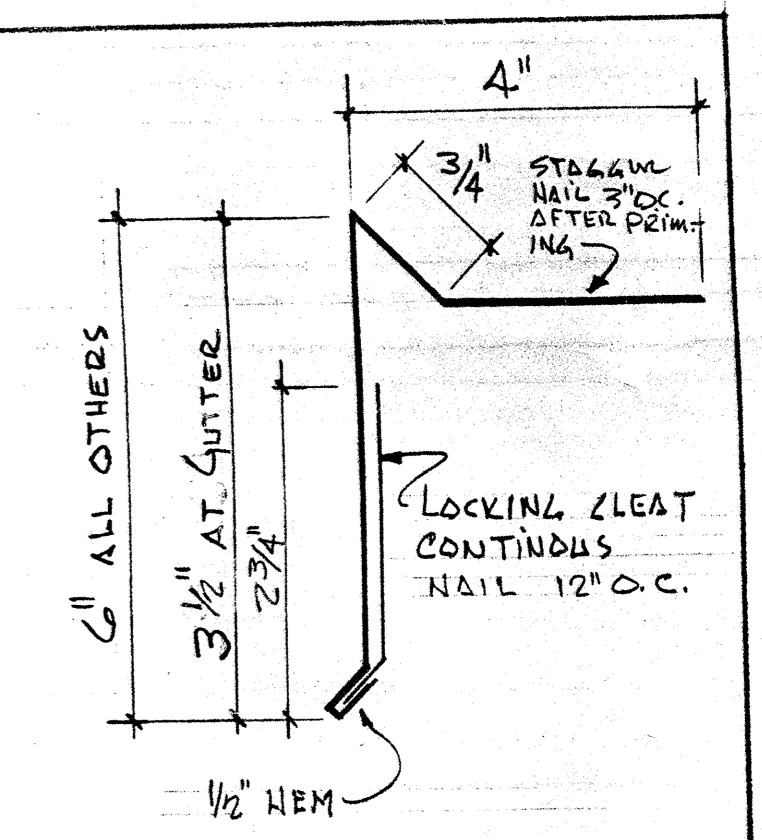
SECTION A-A HALF BARREL



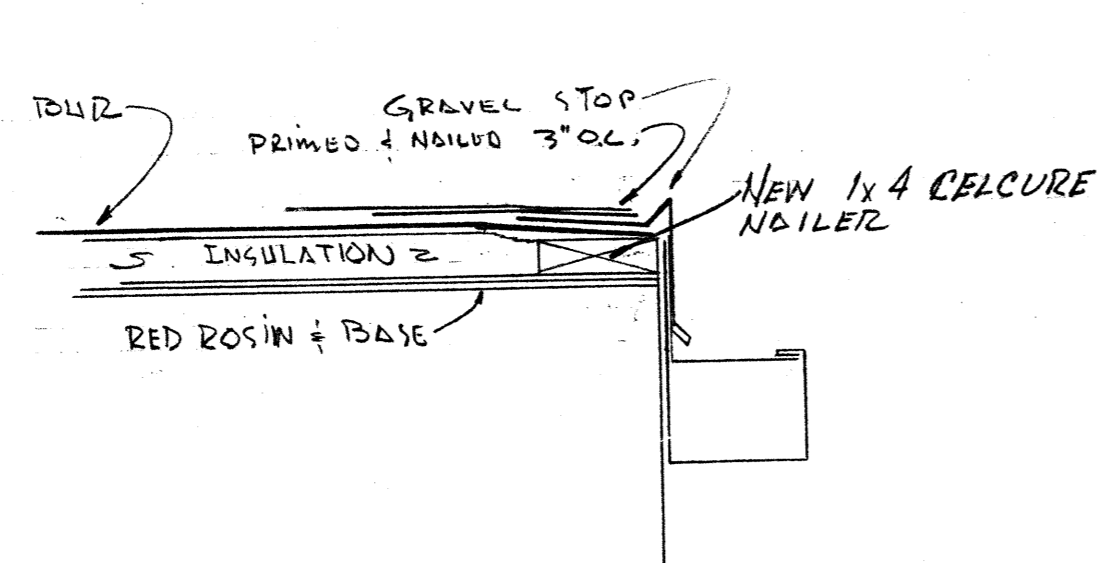
SECTION B-B HALF BARREL @ BLR



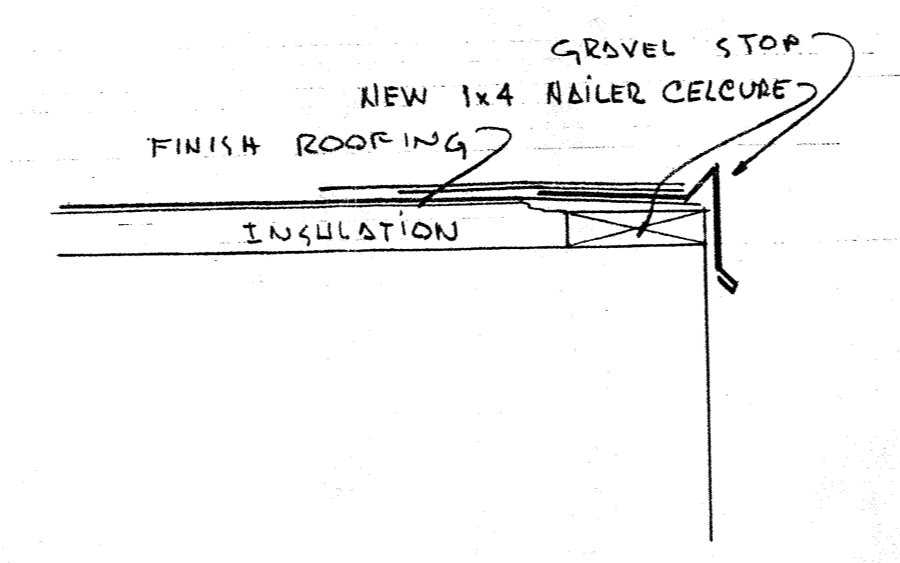
16 OZ COPPER GUTTER



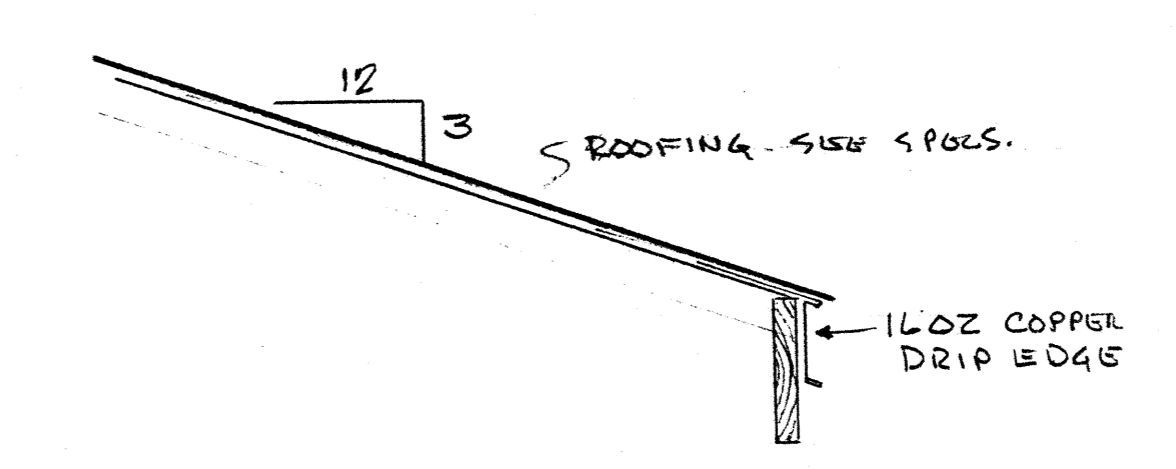
16 OZ COPPER GRAVEL STOP TYP.



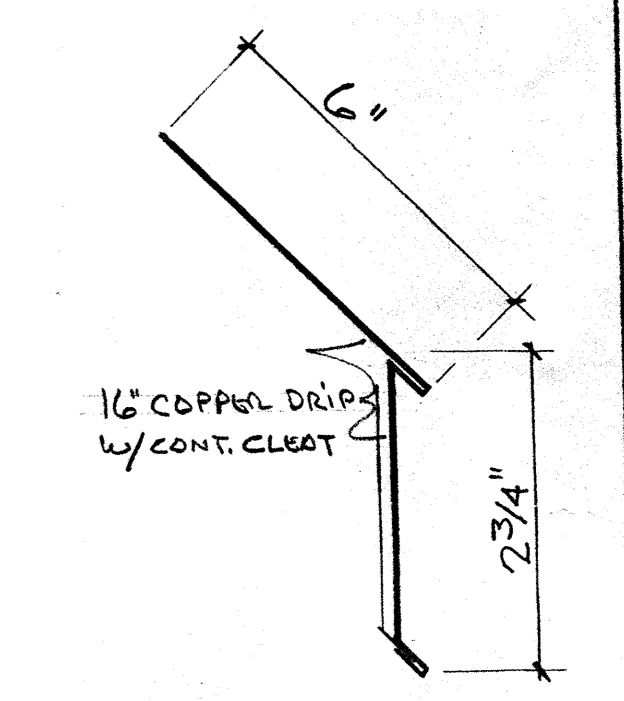
SECTION C-C



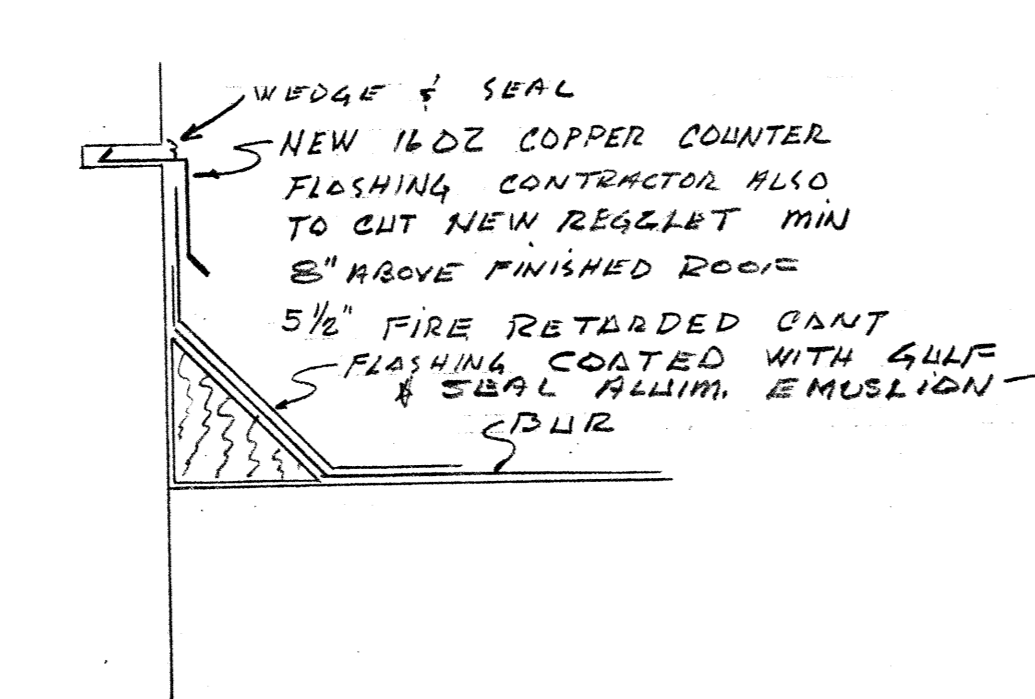
SECTION F-F



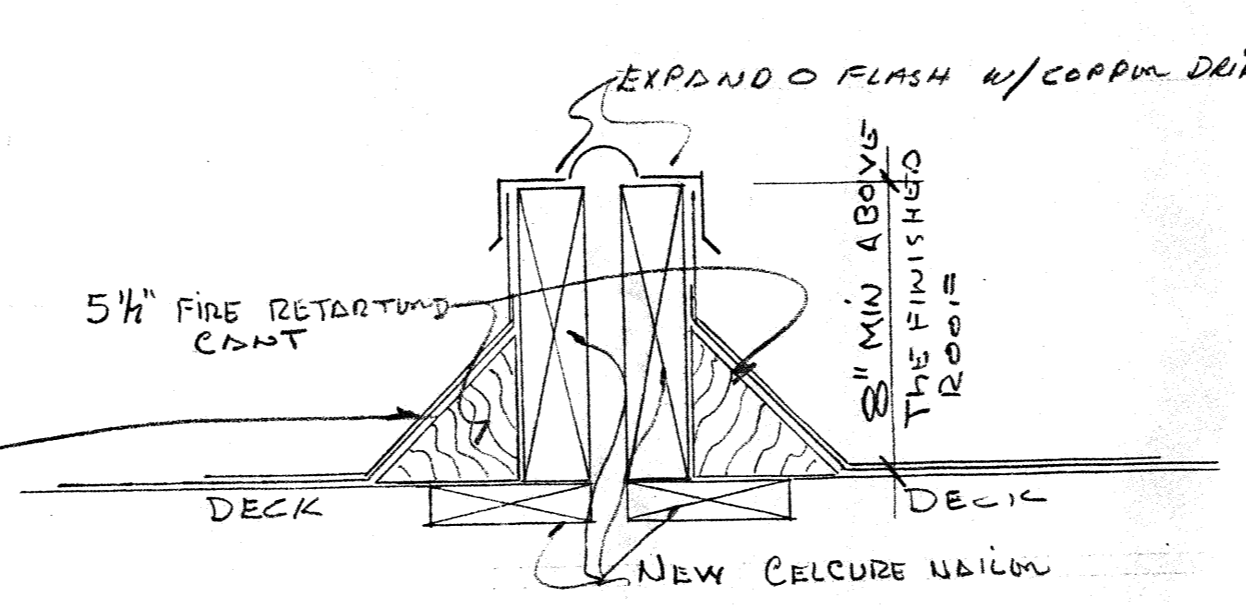
SECTION E-E



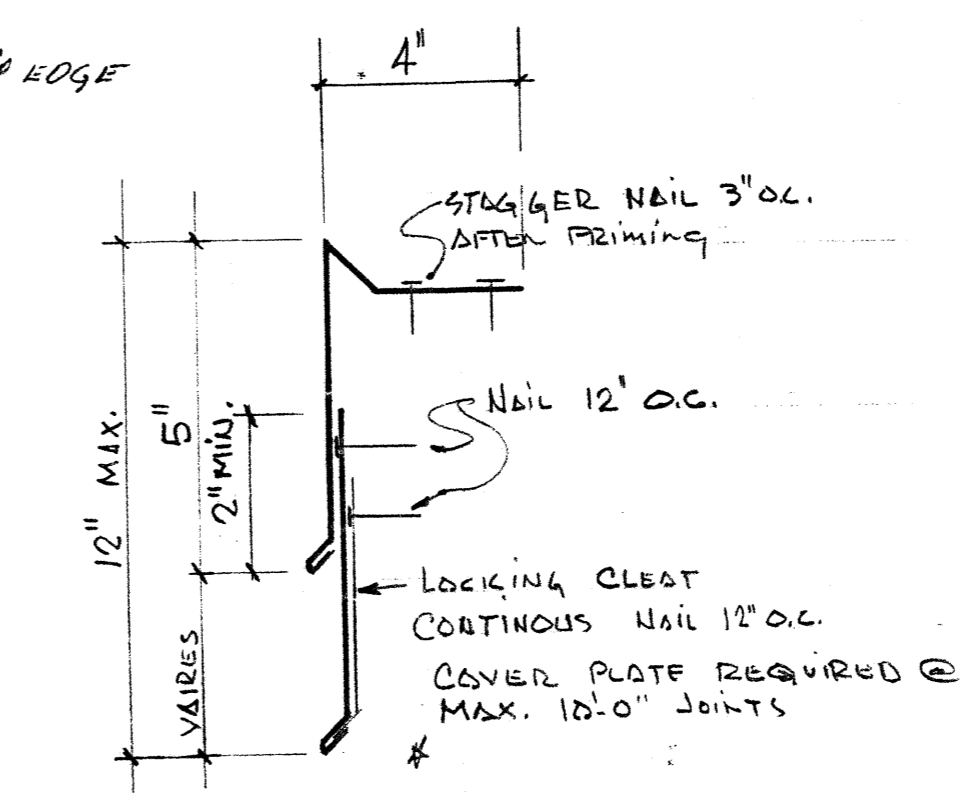
SPECIAL DRIP EDGE @ HALF BARREL & GYM



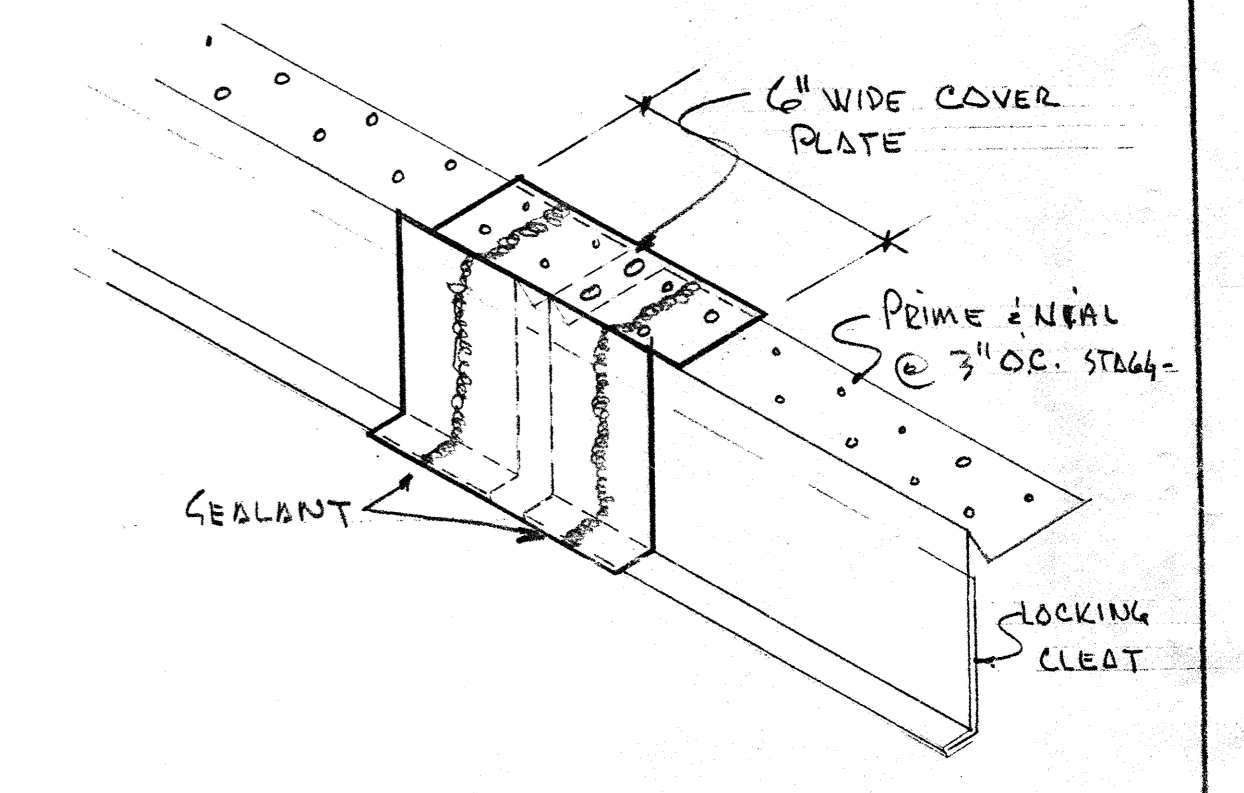
SECTION D-D



SECTION G-G



2 PR Fascia Required For Fascia Over 6"



6" Cover Plate at Gravel Stop Joints