

EFFEX EFX FLOODLIGHT - 400 WATT - 175 WATT

ORDERING GUIDE

METAL HALIDE 400W - 150W

Catalog Number	Distribution	Voltage	Mounting	Options	Finish (7)	Fixture Type:
<input type="checkbox"/> EFXM -400 (1) <input type="checkbox"/> EFXM -250 <input type="checkbox"/> EFXM -175	<input type="checkbox"/> A Wide Beam <input type="checkbox"/> B Rectangular Beam <input type="checkbox"/> C Narrow-by-Wide Beam <input type="checkbox"/> D Square Beam <input type="checkbox"/> E Spot <input type="checkbox"/> AV Wide Beam rotated 90° <input type="checkbox"/> BV Rectangular Beam rotated 90° <input type="checkbox"/> CV Narrow-by-Wide Beam rotated 90°	<input type="checkbox"/> 120 <input type="checkbox"/> 208 <input type="checkbox"/> 240 <input type="checkbox"/> 277 <input type="checkbox"/> 480 <input type="checkbox"/> QV <input type="checkbox"/> 5T (2)	<input type="checkbox"/> VM Vertical (3) <input type="checkbox"/> HM Vertical (3)	<input type="checkbox"/> LQ Quartz Restrike (4) <input type="checkbox"/> PB SilentGuard™ Encapsulated Ballast <input type="checkbox"/> PCB-120V Photocell button <input type="checkbox"/> PCB-208/240V Photocell button <input type="checkbox"/> PCB-277V Photocell button <input type="checkbox"/> BL Bi-Level <input type="checkbox"/> M Marine UL 595 <input type="checkbox"/> SLS Stabilux lamp support (5) <input type="checkbox"/> LBM Less ballast w/mastfitter <input type="checkbox"/> LBSW Less ballast w/wall bracket(6)	<input type="checkbox"/> TBK = Black (Textured) <input type="checkbox"/> DB = Dark Bronze <input type="checkbox"/> GR = Gray <input type="checkbox"/> WHT = White <input type="checkbox"/> SA = Satin Aluminum <input type="checkbox"/> GN = Green (Textured) <input type="checkbox"/> RAL # _____ custom finish (8)	EFFEX EFX SERIES PRECISION FLOODLIGHT Metal Halide 400W - 175 W



NOTES:

- (1) Requires reduced outer jacket ED-28 lamp.
- (2) Multi-five tap ballast (120V/208V/240V/277V/480V) available 400W MH only.
- (3) Concealed field-rotatable mastfitter allowing vertical or horizontal mounting.
- (4) Time delay hot and cold restrike, requires a Q150/DC 120V quartz lamp (by others).
- (5) Not available for Type D or E optical modules.
- (6) For damp location wall mount only.
- (7) Standard finish is textured black. (TBK)
- (8) RAL custom finish available. Specify from RAL color chart. Custom finishes and accent door reveal are subject to additional charges, minimum quantities, and longer lead times. Consult factory.
- (9) For indoor applications only.
- (10) When wall mounted, horizontal aiming of floodlight cannot be accomplished. Standard finish is textured black. (TBK)
- (11) May be used to mount twin floodlights (requires PTA-2180-16.5 bracket.)
- (12) For mounting one floodlight; mounting hardware by others. Standard finish is textured black. (TBK)
- (13) Specify mounting configuration:
 - 2180 = Two fixtures at 180°
 - 2090 = Two fixtures at 90°
 - 3090 = Three at 90°
 - 4090 = Four at 90°
- (14) Shield can be mounted on top, bottom or side of lens frame, standard finish is textured black. (TBK)
- (15) Blades may be individually removed to suit specific requirements for shielding the arc tube.
- (16) Each panel is individually adjustable allowing flexibility in controlling glare. Standard finish is textured black. (TBK)
- (17) Consult factory for color availability.

SPECIFICATIONS:

- **HOUSING** - Marine-grade die-cast aluminum optical and ballast housing supported by die-cast aluminum arms to form an integral but separate assembly ensuring longer component life. All hardware shall be corrosion resistant. Only one tool required to access optical and ballast assembly.
- **OPTICAL MODULE** - There shall be five multi-faceted segmented or spun reflector systems made from high purity anodized aluminum. Multi-faceted segmented reflectors shall have minimum reflectivity of 95% and shall be made of "Super Sheet" with inorganic dielectric coating. Reflector systems shall be mounted in a square frame to create optical modules that can be field-rotatable and exchanged for a choice of eight beam patterns.
- **RELAMP DOOR** - One piece die-cast aluminum with O-ring gasket secured by four captive screws. Hinges open for lamp access with mechanical studs in housing to ensure the O-ring is properly compressed after each (re)lamping. Clear 7/32" tempered glass lens is sealed to door frame with an O-ring gasket. This double O-ring gasket seals the optical assembly without the need for weep holes, filters, wicks or any other route for direct exchange with outside air.
- **BALLAST** - The ballast assembly mounted to a heavy duty unitized ballast tray with quick disconnect plug to optical module and terminal block for field connections. Ballast is high power factor with reliable starting to -20° F. Ballast coil windings are copper with class H (180° C) rated insulation. Polyblock option (core and coil assembly encapsulated in silica-filled, non-melt polyester resin) available as an option for applications that require quieter operation and maximum heat dissipation.
- **SOCKET** - 4KV mogul base, grip-type. An adjustable stabilux lamp support is available as an option for applications requiring added protection to prevent lamp breakage due to mechanical shock or vibration.
- **MOUNTING** - Concealed, field-rotatable mastfitter allows different mounting profiles. (VM vertical or (HM) horizontal, of the floodlight to fit the application. Fits either horizontal or vertical 2-3/8" OD tenon x 4" tall.
- **FINISH** - Standard finish is a textured black "UltraClad" polyester powder electrostatically applied and oven cured. Other finishes are available.
- **U.L. LISTING** - UL 1572 listed suitable for wet locations and aiming above 90°.
- **USER PROTECTION** - Fixture and ballast are covered by a published five-year limited warranty and manufactured in an ISO9001 certified facility.

MOUNTING ACCESSORIES

(shipped separately)

- MPA-16.5-**() Mid Pole Vertical Surface Arm for single side pole mount to straight square poles.
- CMC-EFX-**() Ceiling Mount Collar for installing floodlight to ceilings (9).
- SMT-2-**() Surface Mounting Tenon with flat mounting plate for pad or wall mounting (10).
- SM-18-**() Stanchion Mount Bracket 3" OD with 2-3/8" tenon 18" long for mounting single floodlight (11).
- WMB-16.5-**() Wall Mounting Bracket (12).
- PTA-____-16.5-**() Pole Top Adapter for poles with 2-3/8" OD x 4" tall tenon (13).
- PTA-H2180-11.0-**() Pole Top Adapter with horizontal tenon permits mounting two fixtures at 180°. Standard finish is textured black.

ACCESSORIES

(shipped separately)

- F1-EFX-30 amp Single Fuse Kit 120V or 277V
- F2-EFX-30 amp Double Fuse Kit 208V, 240V or 480V
- SK-40-EFX-() Cutoff shield (14)
- AL-40-EFX 1/8" thick Polycarbonate lens
- IGL-EFX Internal grid louver (15)
- EFX-BD-40-() Barn doors (16)
- WG-40-EFX 10GA polished stainless steel
- AL-40-EFX-(color)-FRMD colored polycarbonate lens (17)

JOB NAME

WideLite
a GENLYTE THOMAS company

ELECTRICAL CHARACTERISTICS

Wattage	Ballast Type	Primary Voltage	Line Watts	Line Current(1)	Regulation Line Volts	Lamp Watts
400	REG-HPF	120/208 240/277 480	465	4.0/2.3 2.0/1.75 1.0	+/- 10%	+/- 10%
250	REG-HPF	120/208 240/277 480	295	2.6/1.5 1.3/1.10 .65	+/- 10%	+/- 9%
175	REG-HPF	120/208 240/277 480	213	1.8/1.10 .90/.80 .45	+/- 10%	+/- 10%

(1) The line current shown is the highest of starting, operating or open current.

EFFEX 400 EPA VALUES

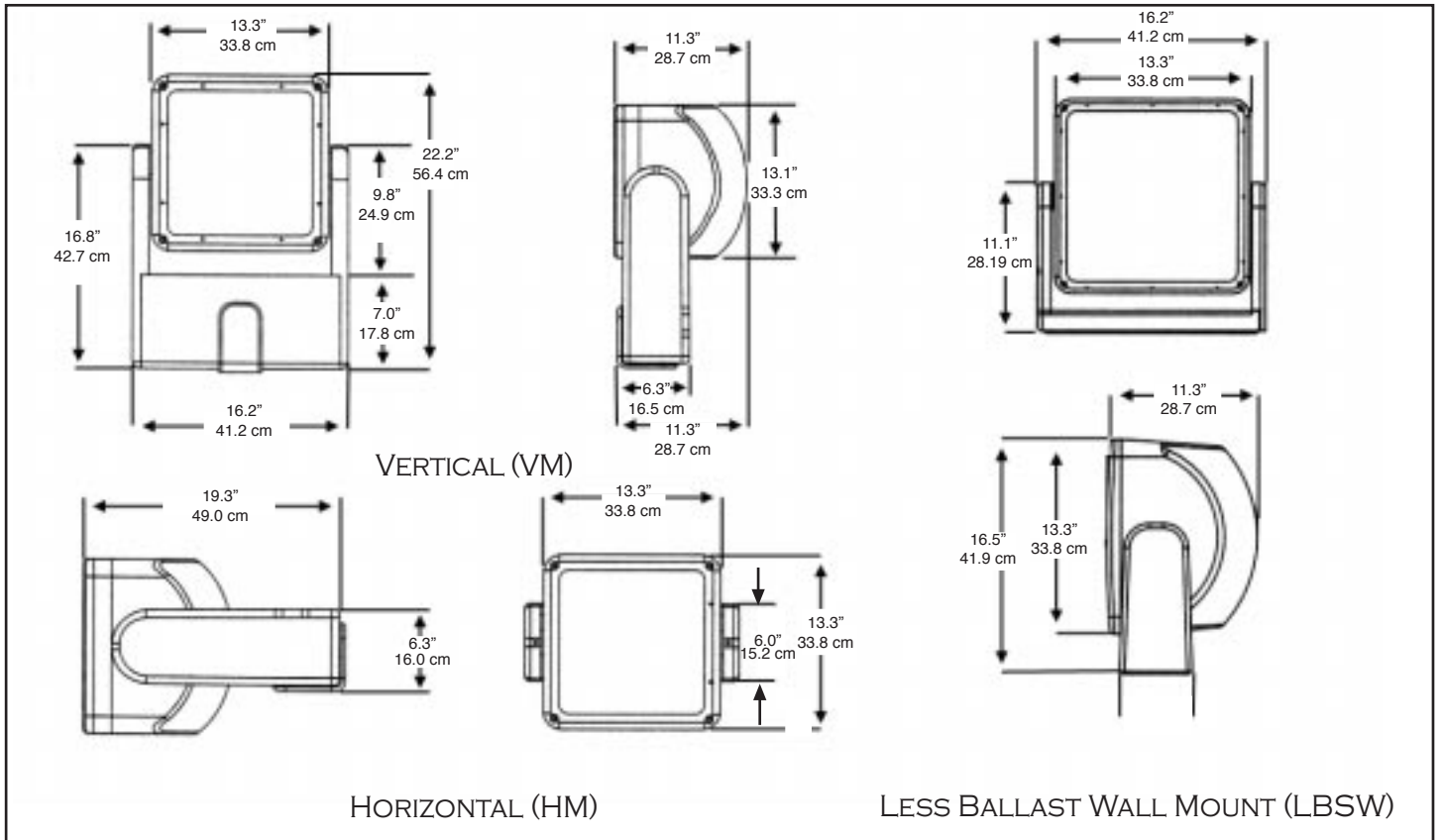
Vertical Mount

Single Fixture = 2.8
 Double Fixture = 5.5
 Triple Fixture = 6.9
 Quad Fixture = 8.3

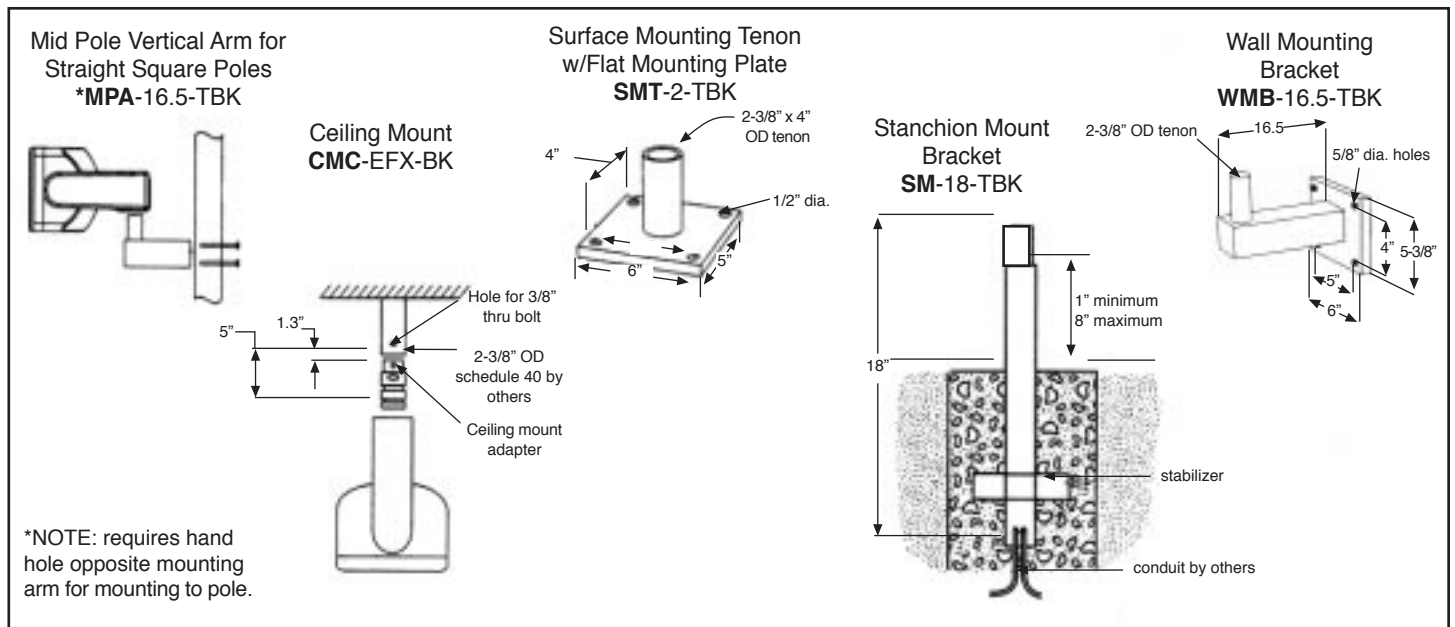
Horizontal Mount

Single Fixture = 1.8
 Double Fixture = 3.7
 Triple Fixture = 4.6
 Quad Fixture = 5.5

DIMENSIONS



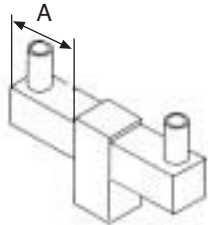
MOUNTING ACCESSORIES



MOUNTING ACCESSORIES - (CONTINUED)

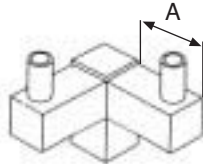
POLE TOP ADAPTER MOUNTING BRACKETS

PTA-2180-16.5-TBK



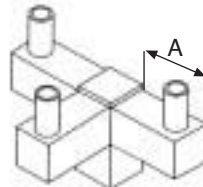
2 @ 180°

PTA-2090-16.5-TBK



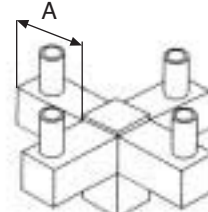
2 @ 90°

PTA-3090-16.5-TBK



3 @ 90°

PTA-4090-16.5-TBK

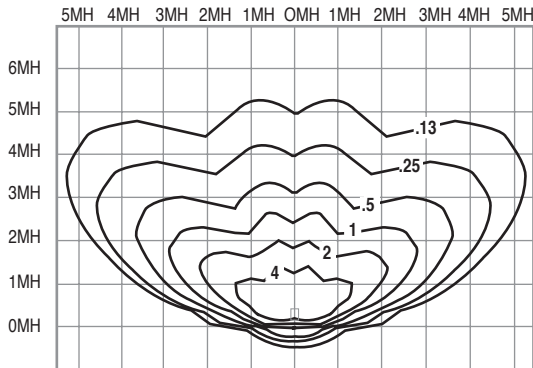


4 @ 90°

A = 16.5

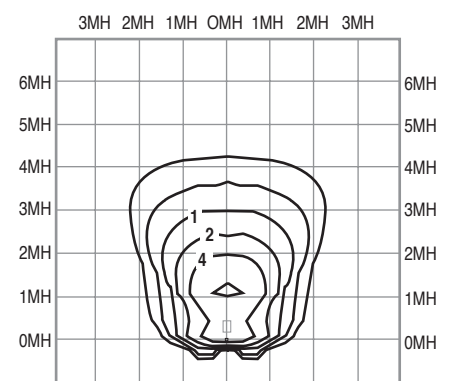
PHOTOMETRICS • 400 - 175 WATT • METAL HALIDE

EFXM - 250 - A



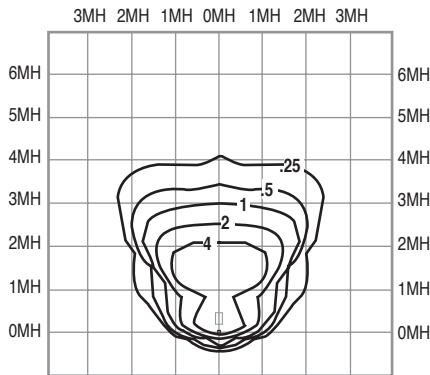
CONVERSION MULTIPLIERS				
Wattages	Mounting Height (in feet)			
	10	15	20	25
175	1.53	.68	.38	.13
250	2.25	1	0.56	X
400	X	1.75	0.98	0.63

EFXM - 250 - B



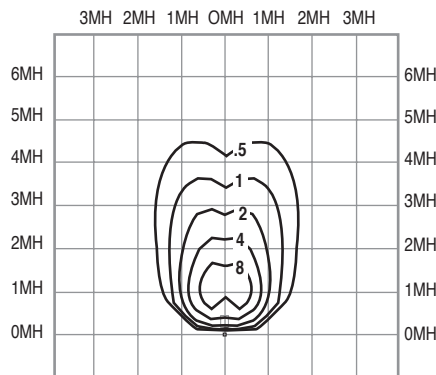
CONVERSION MULTIPLIERS				
Wattages	Mounting Height (in feet)			
	10	15	20	25
175	1.53	.68	.38	.13
250	2.25	1	0.56	X
400	X	1.75	0.98	0.63

EFXM - 250 - C



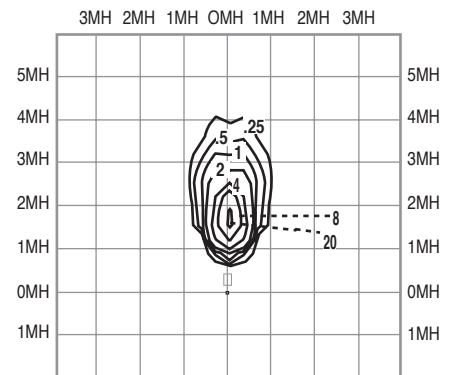
CONVERSION MULTIPLIERS				
Wattages	Mounting Height (in feet)			
	10	15	20	25
175	1.53	.68	.38	.13
250	2.25	1	0.56	X
400	X	1.75	0.98	0.63

EFXM - 250 - D



CONVERSION MULTIPLIERS				
Wattages	Mounting Height (in feet)			
	10	15	20	25
175	1.53	.68	.38	.13
250	2.25	1	0.56	X
400	X	1.75	0.98	0.63

EFXM - 250 - E



CONVERSION MULTIPLIERS				
Wattages	Mounting Height (in feet)			
	10	15	20	25
175	1.53	.68	.38	.13
250	2.25	1	0.56	X
400	X	1.75	0.98	0.63

NOTE: Fixtures tilted 63°