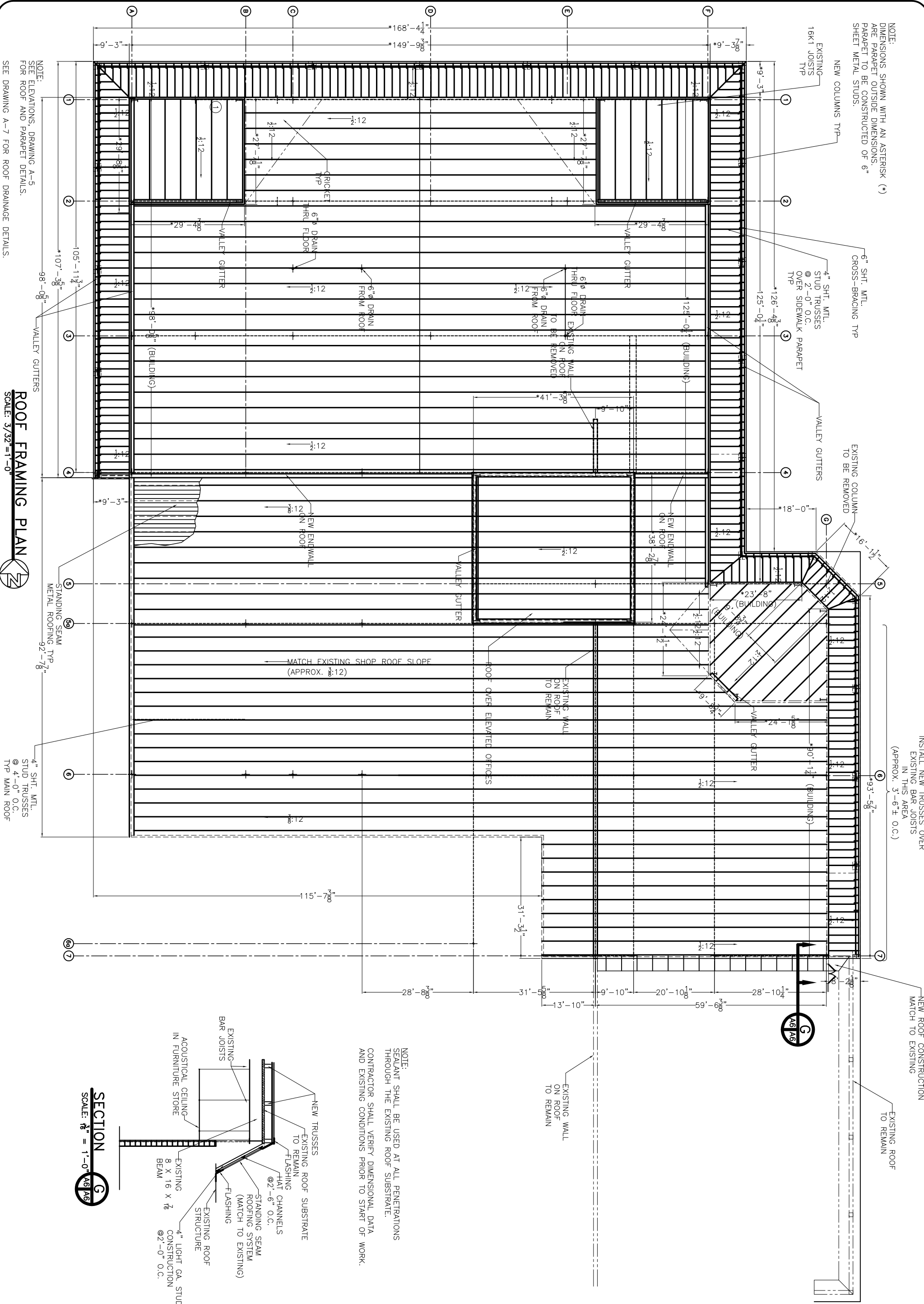


NOTE:
DIMENSIONS SHOWN WITH AN ASTERISK (*)
ARE PARAPET OUTSIDE DIMENSIONS.
PARAPET TO BE CONSTRUCTED OF 6"
SHEET METAL STUDS.



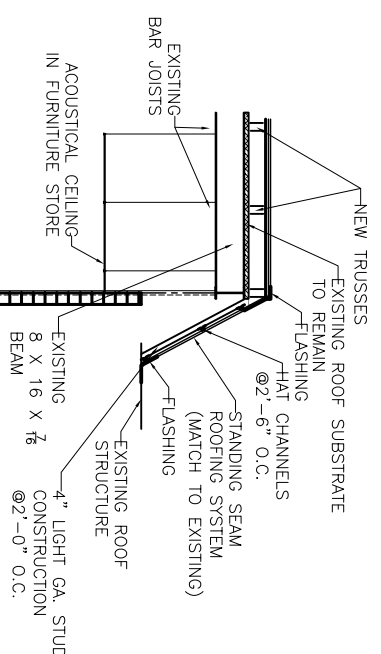
INSTALL NEW TRUSSES OVER
EXISTING BAR JOISTS
IN THIS AREA
(APPROX. 3'-6" ± O.C.)

NEW ROOF CONSTRUCTION
MATCH TO EXISTING


EXISTING ROOF
TO REMAIN

EXISTING WALL
ON ROOF
TO REMAIN

NOTE:
SEALANT SHALL BE USED AT ALL PENETRATIONS
THROUGH THE EXISTING ROOF SUBSTRATE.
CONTRACTOR SHALL VERIFY DIMENSIONAL DATA
AND EXISTING CONDITIONS PRIOR TO START OF WORK.



SECTION G
SCALE: 1/8" = 1'-0"

 <p>DAMMON ENGINEERING, INC. EMMETT DAMMON ARCHITECT ROBERT WILTSE</p> <p>1095 FLORIDA AVENUE SLIDELL, LA. 70458 985-649-5832</p> <p>WEBSITE: WWW.DAMMONENGINEERING.CO EMAIL: DAMMONENG@BELLSOUTH.NET</p> <p>ARCHITECTURE ENGINEERING STUDIES PLANNING INVESTIGATION EXPERT WITNESS</p>	<p>RENOVATION TO MISSISSIPPI MALL</p> <p>MISSISSIPPI MALL 1230 S. HAUGH AVE PICAYUNE, MS</p>	<p>ROOF FRAMING PLAN</p>	<p>SCALE: AS NOTED JOB#: 1822 DATE: 12-04-06 REV: 12-17-07</p>	<p>SCALE: AS NOTED JOB#: 1822 DATE: 12-04-06 SHEET</p> <p style="font-size: 2em; font-weight: bold;">A-6</p>
---	---	---------------------------------	--	--