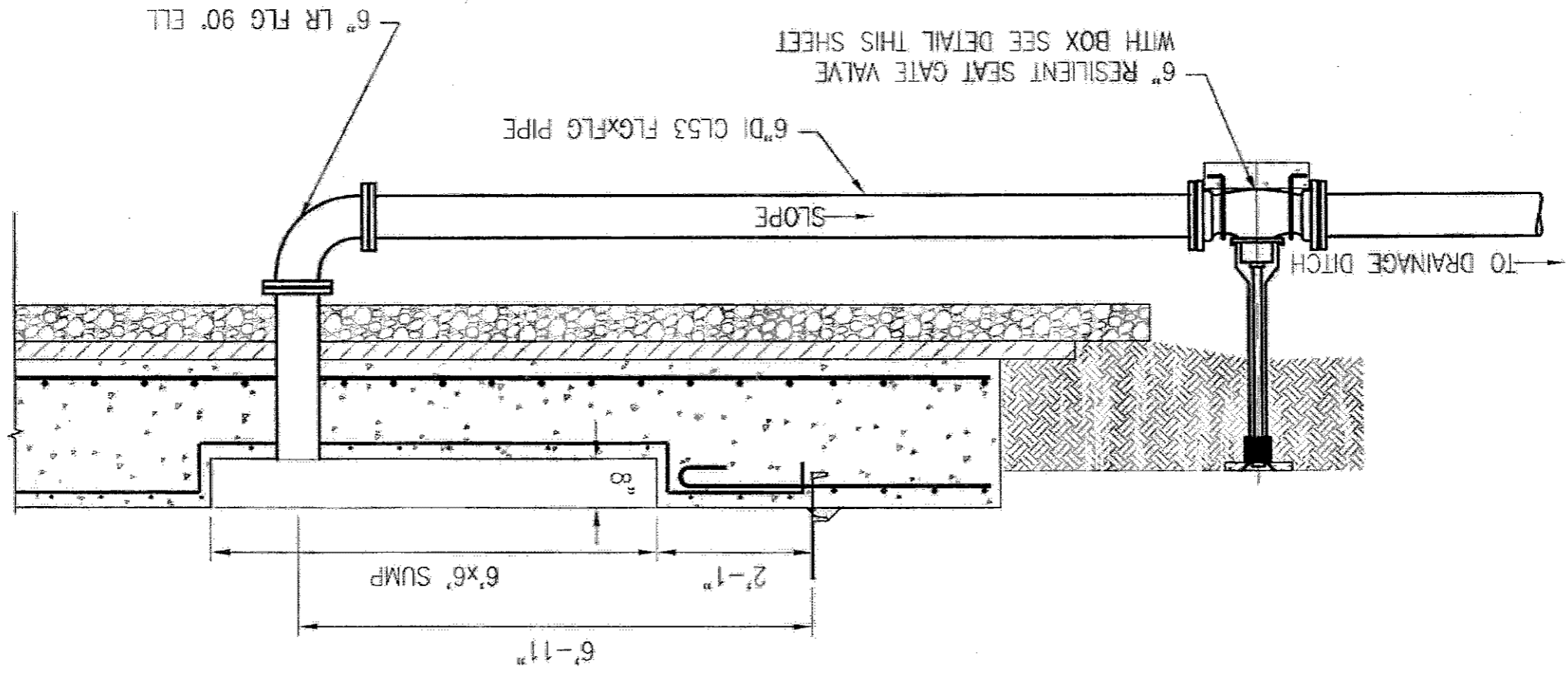


ADDENDUM 2
2012/04/16

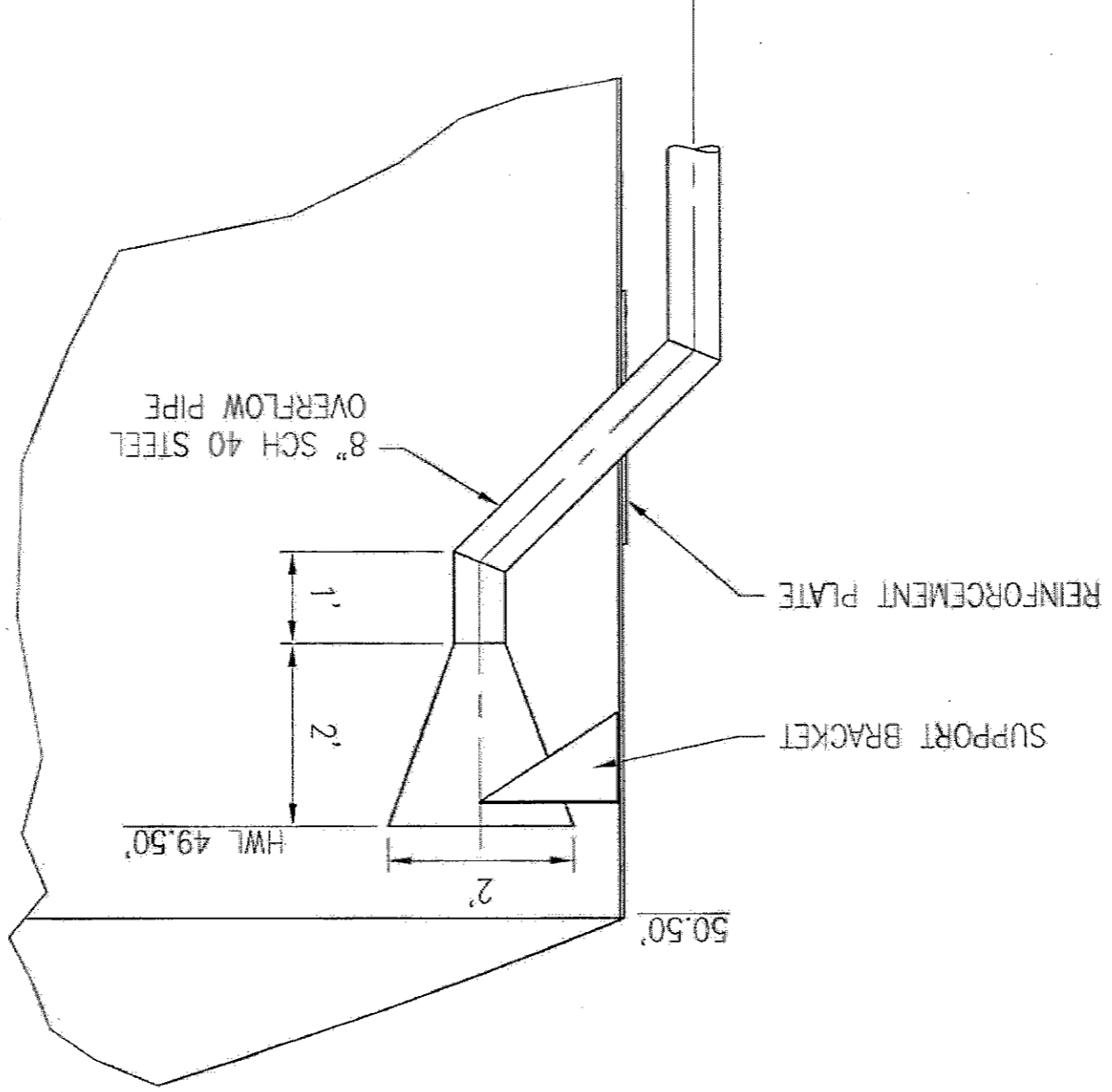
ADDENDUM 2
2012/04/16

WELDED TANK
FLOOR DRAIN DETAIL
SCALE: 1/2"=1'-0"



ADDENDUM 2
2012/04/16

OVERFLOW PIPE
SCALE: NTS



ADDENDUM 2
2012/04/16

BOLTED TANK
FLOOR DRAIN DETAIL
SCALE: 1/2"=1'-0"

