

NOTES:

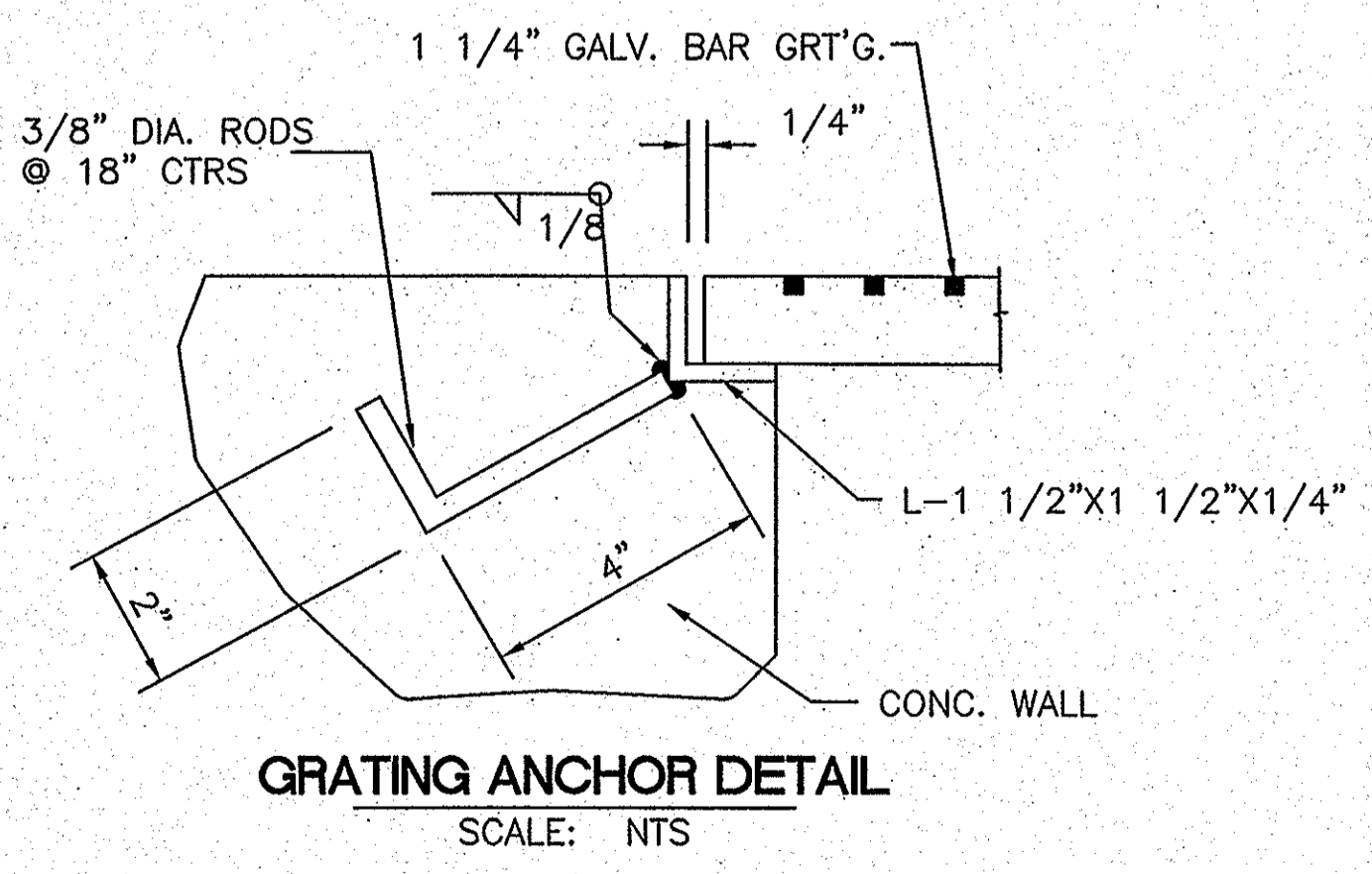
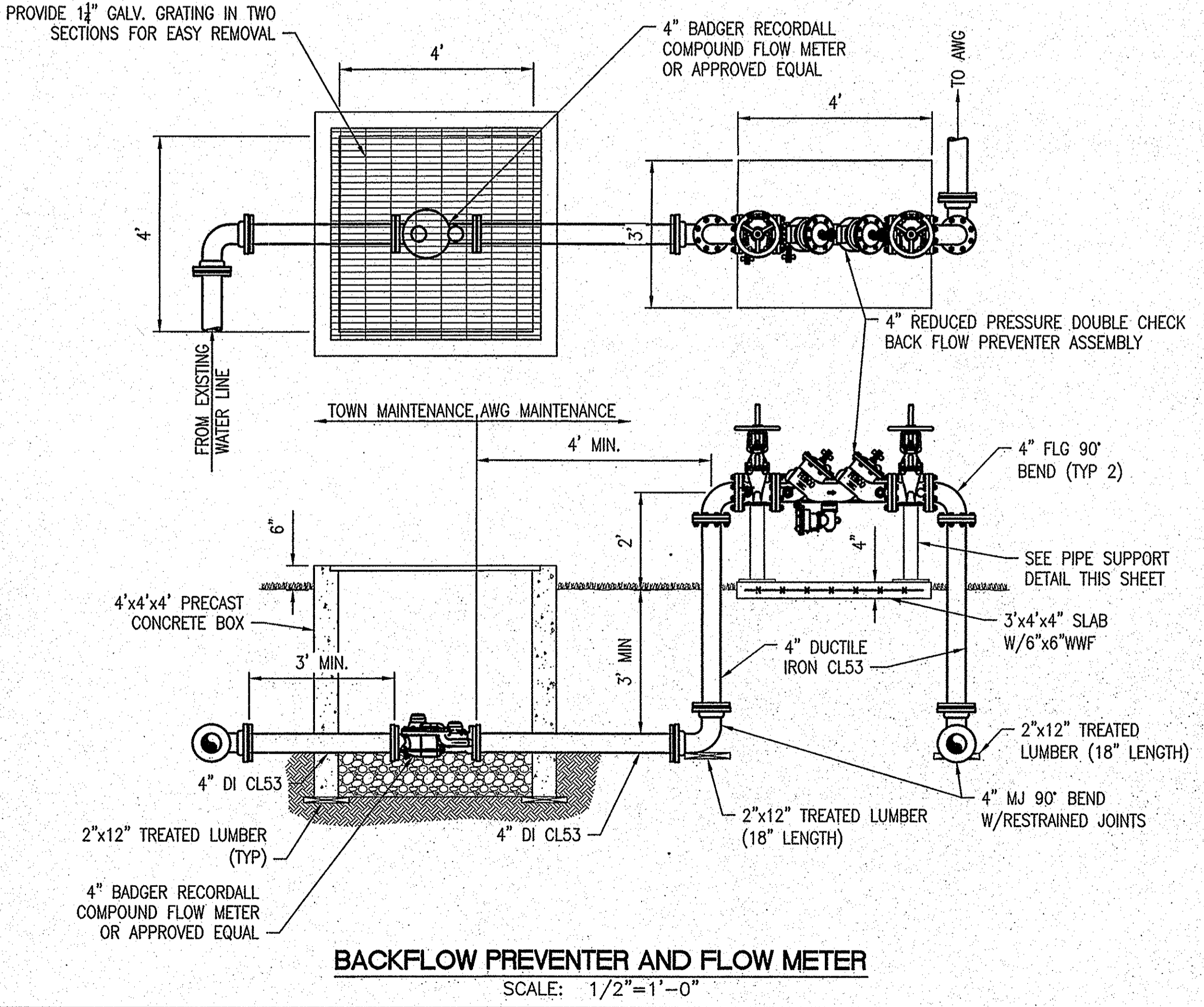
- PIPE STANCHION SADDLE SHALL BE GRINNEL FIG. 259 OR FEE & MASON FIG 259 OR EQUAL.
- RISER PIPE AND BASE FLANGE SHALL BE AS RECOMMENDED BY PIPE STANCHION MFR. OR APPROVED EQUAL.
- PROVIDE THREADS ON BOTH BASE AND UPPER PIPING TO ALLOW FOR FIELD ADJUSTMENTS.

d	A	B	C	MAX. SPACING
2" & LESS	2"	9"	3/8"	5'
4"	3"	9"	5/8"	8'
6"	3"	9"	3/4"	8'
8", 10", 12"	3"	9"	7/8"	10'
14", 16"	4"	11"	1"	10'
18"	4"	11"	1 1/8"	10'
20", 24", 30"	6"	13 1/2"	1 1/4"	10'

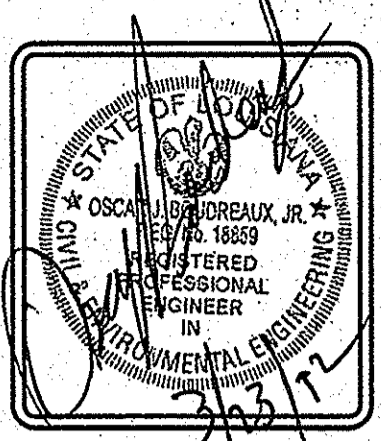
* L VARIES WITH FIELD CONDITIONS

GENERAL NOTES

- ALL WORK SHOWN THIS SHEET SHALL BE MEASURED AND PAID AS LUMP SUM UNDER THE ITEM DESCRIBED AS 4" METER AND BACK FLOW ASSEMBLY COMPLETE
- LOCATION OF ROW TO BE FIELD DETERMINED BASED ON AWG INFLUENT WATER PIPE LOCATION.



NOTE:
CONTRACTOR TO CONSTRUCT NEW 4" WATER LINE BELOW PROPOSED DRAIN PIPE. PROVIDE 2' COVER BELOW PROPOSED INVERT OF PIPE. IF DRAINAGE PIPE HAS BEEN INSTALLED AND COVER OVER DRAINAGE PIPE IS 30" OR MORE, 4" WATER PIPE MAY BE INSTALLED ABOVE DRAINAGE PIPE W/CONCRETE ENCASEMENT

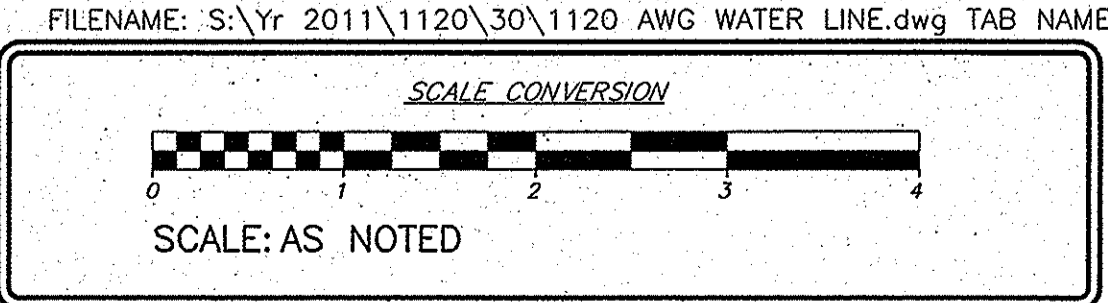


DESIGNED	OJB
DRAWN	
CHECKED	RPG
DATE	

NO.	DATE	DESCRIPTION

OWNER: TOWN OF PEARL RIVER
PROJECT: POTABLE WATER IMPROVEMENTS
PEARL RIVER, LOUISIANA

PROJECT: 1120



Environmental Engineering Services, Inc.
CONSULTING ENGINEERS
610 BELLE TERRE BLVD.
LAPLACE, LA 70068
PHONE (985) 653-0185
FAX (985) 653-0182

BACKFLOW PREVENTER AND METER

This drawing and design is the property of E.E.S., Inc. It is furnished on the condition that it is not to be used, reproduced, or copied, in whole or part or used for information to others, without the express written consent of copyright of E.E.S., Inc. All copyright privileges granted by law are hereby specifically reserved.

SHEET: 6