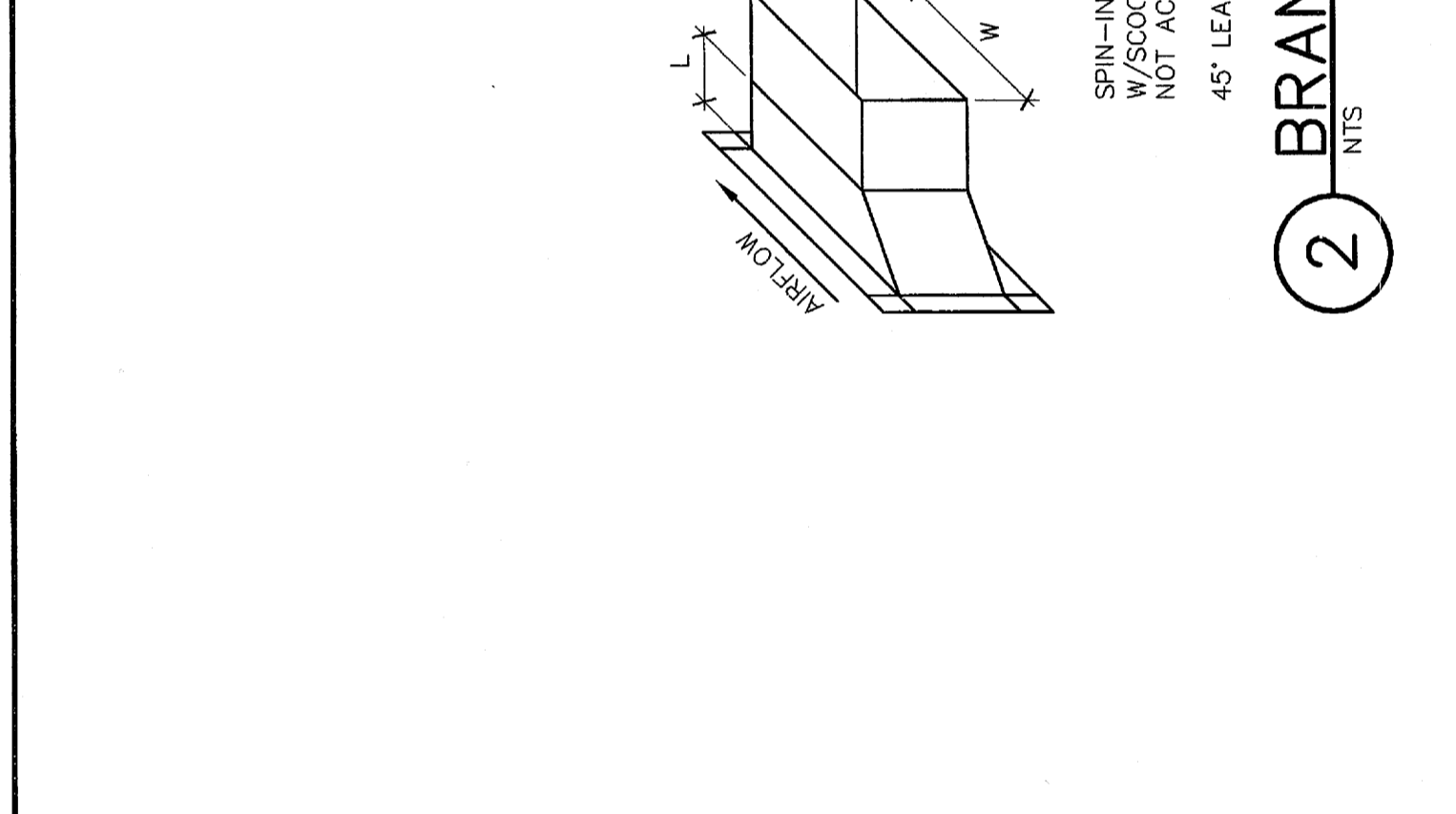
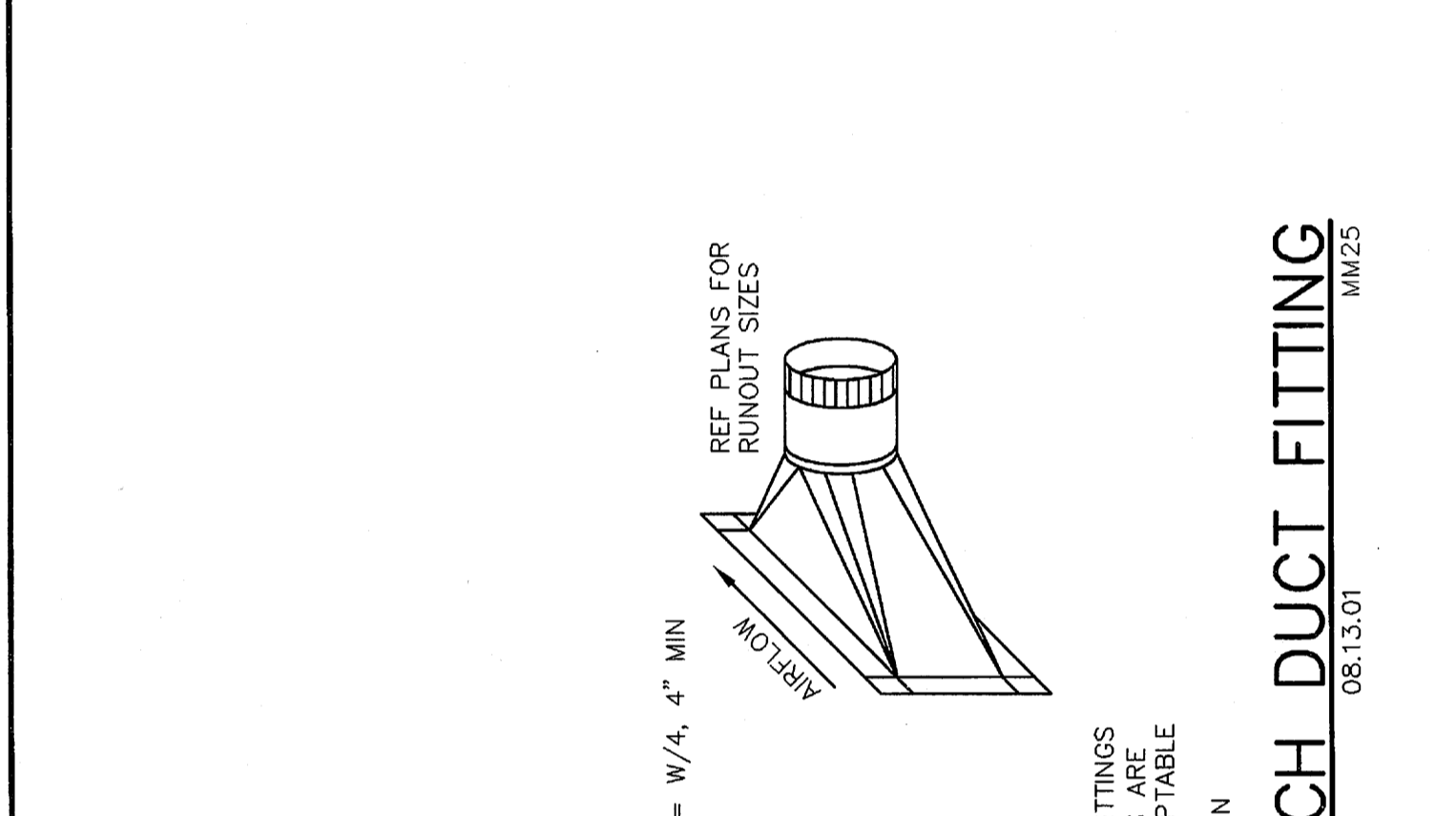
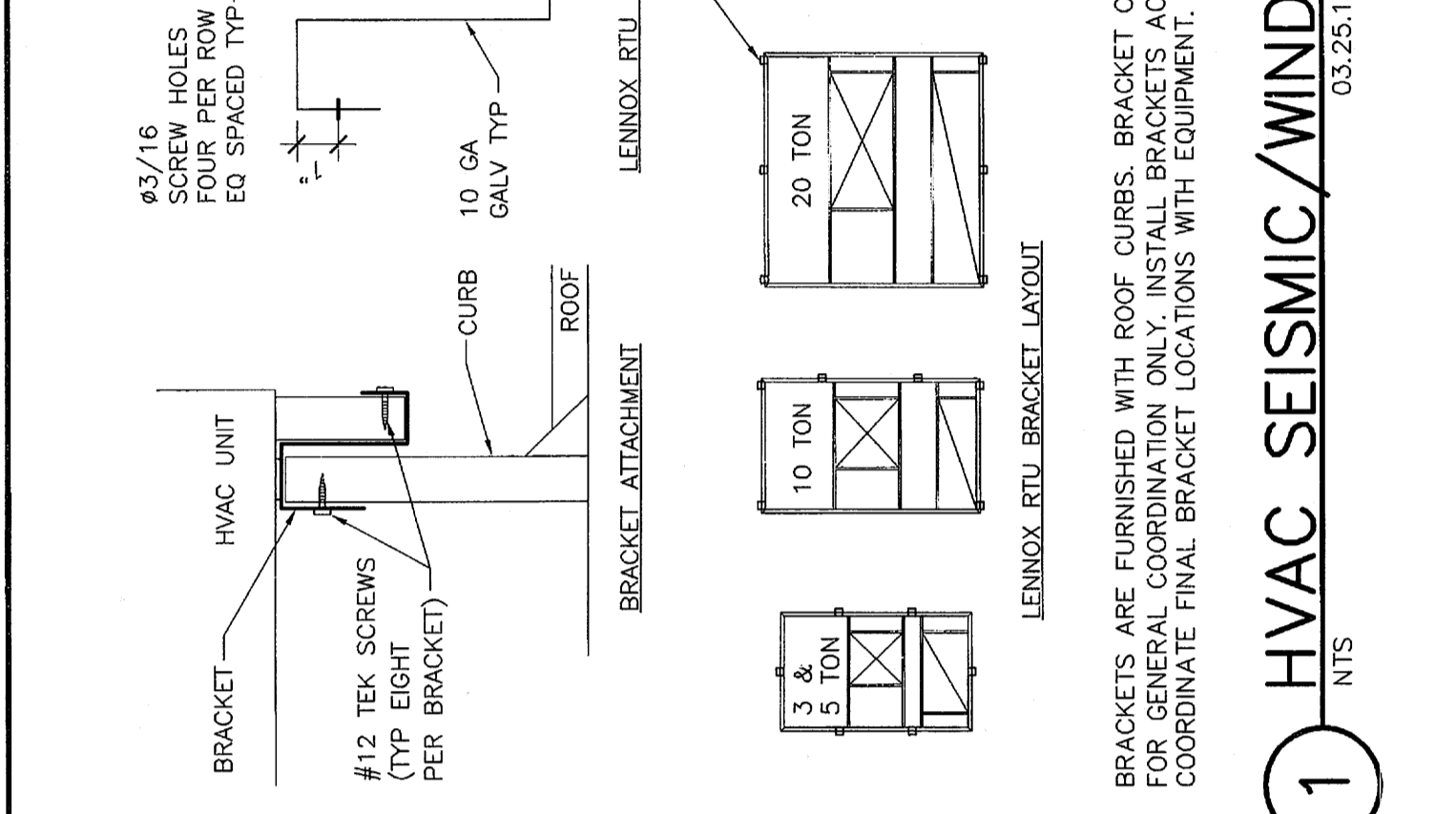
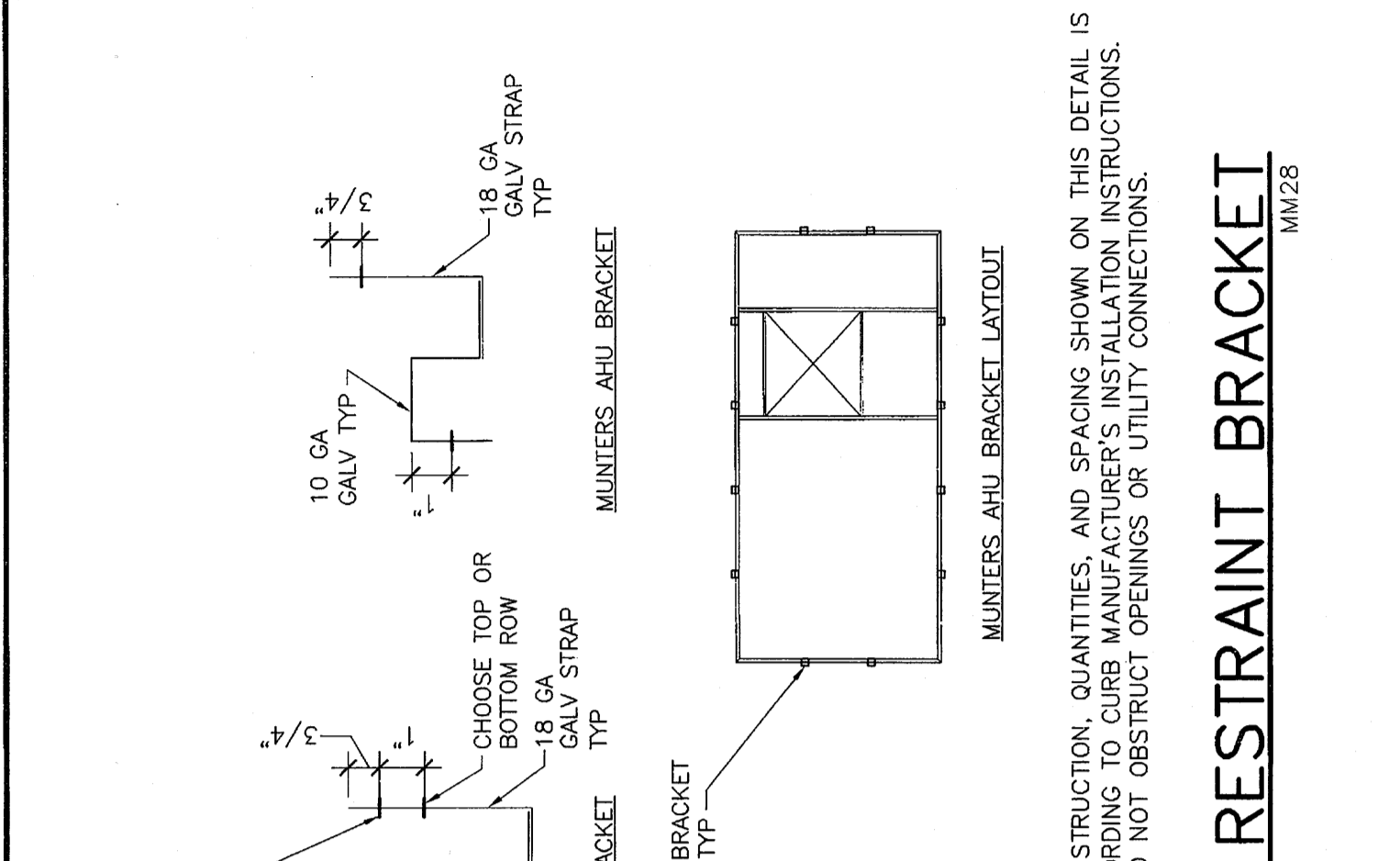


MECHANICAL SYMBOLS

| | |
|--|--|
| | RECTANGULAR DUCT 18" WIDE BY 12" DEEP |
| | 12" DIAMETER ROUND DUCT |
| | SUPPLY DUCT IN SECTION |
| | RETURN OR EXHAUST DUCT IN SECTION |
| | ELBOW WITH TURNING VANES |
| | TEE WITH TURNING VANES |
| | RECTANGULAR RADIUS ELBOW |
| | RECTANGULAR TEE |
| | ROUND (OR OVAL) ELBOW |
| | VOLUME/BALANCE DAMPER |
| | SUPPLY AIR DIFFUSER WITH ROUND SUPPLY DUCT |
| | RETURN OR EXHAUST AIR DIFFUSER WITH ROUND DUCT |
| | DIFFUSER OR GRILLE TYPE BRANCH DUCT (ANG) OR NECK SIZE CPM |
| | TEMP SENSOR |

MECHANICAL SYMBOLS

| | |
|--|--|
| | RECTANGULAR DUCT 18" WIDE BY 12" DEEP |
| | 12" DIAMETER ROUND DUCT |
| | SUPPLY DUCT IN SECTION |
| | RETURN OR EXHAUST DUCT IN SECTION |
| | ELBOW WITH TURNING VANES |
| | TEE WITH TURNING VANES |
| | RECTANGULAR RADIUS ELBOW |
| | RECTANGULAR TEE |
| | ROUND (OR OVAL) ELBOW |
| | VOLUME/BALANCE DAMPER |
| | SUPPLY AIR DIFFUSER WITH ROUND SUPPLY DUCT |
| | RETURN OR EXHAUST AIR DIFFUSER WITH ROUND DUCT |
| | DIFFUSER OR GRILLE TYPE BRANCH DUCT (ANG) OR NECK SIZE CPM |
| | TEMP SENSOR |



Walmart Market
 COVINGTON, LA
 STORE NO. 3042-00
 JOB NUMBER: 97130128
 STORE NO. 3042-00
 DATE: 02/09/13 REV. #3

ISSUE BLOCK

| |
|------------------|
| 02/09/13 REV. #3 |
|------------------|

AIR CURTAIN SCHEDULE

| MARK | AREA SERVED | MODEL | POWERED AIR | QTY | HP | V/PH/Hz | NOTES |
|------|-------------|-------------|-------------|-----|-----|-----------|---------|
| AC1 | BSD DOOR | POWERED AIR | 7/8" X 72" | 1 | 3/4 | 120V/1/60 | A, B, C |

GENERAL INFORMATION (CALL AIR CURTAINS AS APPLICABLE):
 1. AIR CURTAINS FURNISHED BY GENERAL CONTRACTOR, INSTALLED BY MECHANICAL CONTRACTOR.
 NOTES:
 A. UNIT SHALL BE FURNISHED WITH FACTORY MOUNTED DISCONNECT LOCATED ON TOP OF AIR CURTAIN.
 B. CURTAIN SHALL BE INSTALLED WITH FACTORY PROVIDED CURTAIN BRACKET AND DISCONNECT ACCESSORIES TO ENERGIZE ALL AIR CURTAINS AT EACH DOOR WHEN DOOR OPENS AND DE-ENERGIZE AIR CURTAINS WHEN DOOR CLOSES. SWITCH STRIKE PLATE ATTACHED TO DOOR IS PROVIDED BY MECHANICAL CONTRACTOR.
 C. UNIT SHALL BE TOP MOUNTED. FOR CURTAIN INSTALLATIONS NOT DETAILED ON ARCHITECTURAL DRAWINGS, CONTACT ARCHITECT FOR CURTAIN TRACK AND SPANNING ENTIRE DOOR OPENING AS REQUIRED. SUPPORT UNSTRUT FROM STRUCTURE.

VOLUME/BALANCE DAMPER SCHEDULE

| MARK | AREA SERVED | MANUFACTURER | MODEL | TYPE | SIZE | NOTES |
|-------|-------------|--------------|------------------|--------|---------|------------|
| CO | SUPPLY AIR | TITUS | ROUND NECK | CARNES | 24 X 24 | B, D, E |
| CO1 | SUPPLY AIR | TMS | CEILING DIFFUSER | SFTB | REF | B, D, E, L |
| CO2 | SUPPLY AIR | TDC | CEILING DIFFUSER | SCD | REF | B, D, E, L |
| CO3 | SUPPLY AIR | TMS-AA | ROUND NECK | CARNES | 24 X 24 | C, D, E |
| CO4 | SUPPLY AIR | TMS-AB | CEILING DIFFUSER | ASCD | REF | C, D, E, L |
| CO5 | SUPPLY AIR | TMS-AC | CEILING DIFFUSER | ASCD | REF | C, D, E, L |
| CO6 | SUPPLY AIR | TMS-AD | CEILING DIFFUSER | ASCD | REF | C, D, E, L |
| CO7 | SUPPLY AIR | TMS-AE | CEILING DIFFUSER | ASCD | REF | C, D, E, L |
| CO8 | SUPPLY AIR | TMS-AF | CEILING DIFFUSER | ASCD | REF | C, D, E, L |
| CO9 | SUPPLY AIR | TMS-AG | CEILING DIFFUSER | ASCD | REF | C, D, E, L |
| CO10 | SUPPLY AIR | TMS-AH | CEILING DIFFUSER | ASCD | REF | C, D, E, L |
| CO11 | SUPPLY AIR | TMS-AI | CEILING DIFFUSER | ASCD | REF | C, D, E, L |
| CO12 | SUPPLY AIR | TMS-AJ | CEILING DIFFUSER | ASCD | REF | C, D, E, L |
| CO13 | SUPPLY AIR | TMS-AK | CEILING DIFFUSER | ASCD | REF | C, D, E, L |
| CO14 | SUPPLY AIR | TMS-AL | CEILING DIFFUSER | ASCD | REF | C, D, E, L |
| CO15 | SUPPLY AIR | TMS-AM | CEILING DIFFUSER | ASCD | REF | C, D, E, L |
| CO16 | SUPPLY AIR | TMS-AN | CEILING DIFFUSER | ASCD | REF | C, D, E, L |
| CO17 | SUPPLY AIR | TMS-AO | CEILING DIFFUSER | ASCD | REF | C, D, E, L |
| CO18 | SUPPLY AIR | TMS-AP | CEILING DIFFUSER | ASCD | REF | C, D, E, L |
| CO19 | SUPPLY AIR | TMS-AQ | CEILING DIFFUSER | ASCD | REF | C, D, E, L |
| CO20 | SUPPLY AIR | TMS-AR | CEILING DIFFUSER | ASCD | REF | C, D, E, L |
| CO21 | SUPPLY AIR | TMS-AS | CEILING DIFFUSER | ASCD | REF | C, D, E, L |
| CO22 | SUPPLY AIR | TMS-AT | CEILING DIFFUSER | ASCD | REF | C, D, E, L |
| CO23 | SUPPLY AIR | TMS-AU | CEILING DIFFUSER | ASCD | REF | C, D, E, L |
| CO24 | SUPPLY AIR | TMS-AV | CEILING DIFFUSER | ASCD | REF | C, D, E, L |
| CO25 | SUPPLY AIR | TMS-AW | CEILING DIFFUSER | ASCD | REF | C, D, E, L |
| CO26 | SUPPLY AIR | TMS-AX | CEILING DIFFUSER | ASCD | REF | C, D, E, L |
| CO27 | SUPPLY AIR | TMS-AY | CEILING DIFFUSER | ASCD | REF | C, D, E, L |
| CO28 | SUPPLY AIR | TMS-AZ | CEILING DIFFUSER | ASCD | REF | C, D, E, L |
| CO29 | SUPPLY AIR | TMS-AA | CEILING DIFFUSER | ASCD | REF | C, D, E, L |
| CO30 | SUPPLY AIR | TMS-AB | CEILING DIFFUSER | ASCD | REF | C, D, E, L |
| CO31 | SUPPLY AIR | TMS-AC | CEILING DIFFUSER | ASCD | REF | C, D, E, L |
| CO32 | SUPPLY AIR | TMS-AD | CEILING DIFFUSER | ASCD | REF | C, D, E, L |
| CO33 | SUPPLY AIR | TMS-AE | CEILING DIFFUSER | ASCD | REF | C, D, E, L |
| CO34 | SUPPLY AIR | TMS-AF | CEILING DIFFUSER | ASCD | REF | C, D, E, L |
| CO35 | SUPPLY AIR | TMS-AG | CEILING DIFFUSER | ASCD | REF | C, D, E, L |
| CO36 | SUPPLY AIR | TMS-AH | CEILING DIFFUSER | ASCD | REF | C, D, E, L |
| CO37 | SUPPLY AIR | TMS-AI | CEILING DIFFUSER | ASCD | REF | C, D, E, L |
| CO38 | SUPPLY AIR | TMS-AJ | CEILING DIFFUSER | ASCD | REF | C, D, E, L |
| CO39 | SUPPLY AIR | TMS-AK | CEILING DIFFUSER | ASCD | REF | C, D, E, L |
| CO40 | SUPPLY AIR | TMS-AL | CEILING DIFFUSER | ASCD | REF | C, D, E, L |
| CO41 | SUPPLY AIR | TMS-AM | CEILING DIFFUSER | ASCD | REF | C, D, E, L |
| CO42 | SUPPLY AIR | TMS-AN | CEILING DIFFUSER | ASCD | REF | C, D, E, L |
| CO43 | SUPPLY AIR | TMS-AO | CEILING DIFFUSER | ASCD | REF | C, D, E, L |
| CO44 | SUPPLY AIR | TMS-AP | CEILING DIFFUSER | ASCD | REF | C, D, E, L |
| CO45 | SUPPLY AIR | TMS-AQ | CEILING DIFFUSER | ASCD | REF | C, D, E, L |
| CO46 | SUPPLY AIR | TMS-AR | CEILING DIFFUSER | ASCD | REF | C, D, E, L |
| CO47 | SUPPLY AIR | TMS-AS | CEILING DIFFUSER | ASCD | REF | C, D, E, L |
| CO48 | SUPPLY AIR | TMS-AT | CEILING DIFFUSER | ASCD | REF | C, D, E, L |
| CO49 | SUPPLY AIR | TMS-AU | CEILING DIFFUSER | ASCD | REF | C, D, E, L |
| CO50 | SUPPLY AIR | TMS-AV | CEILING DIFFUSER | ASCD | REF | C, D, E, L |
| CO51 | SUPPLY AIR | TMS-AW | CEILING DIFFUSER | ASCD | REF | C, D, E, L |
| CO52 | SUPPLY AIR | TMS-AX | CEILING DIFFUSER | ASCD | REF | C, D, E, L |
| CO53 | SUPPLY AIR | TMS-AY | CEILING DIFFUSER | ASCD | REF | C, D, E, L |
| CO54 | SUPPLY AIR | TMS-AZ | CEILING DIFFUSER | ASCD | REF | C, D, E, L |
| CO55 | SUPPLY AIR | TMS-AA | CEILING DIFFUSER | ASCD | REF | C, D, E, L |
| CO56 | SUPPLY AIR | TMS-AB | CEILING DIFFUSER | ASCD | REF | C, D, E, L |
| CO57 | SUPPLY AIR | TMS-AC | CEILING DIFFUSER | ASCD | REF | C, D, E, L |
| CO58 | SUPPLY AIR | TMS-AD | CEILING DIFFUSER | ASCD | REF | C, D, E, L |
| CO59 | SUPPLY AIR | TMS-AE | CEILING DIFFUSER | ASCD | REF | C, D, E, L |
| CO60 | SUPPLY AIR | TMS-AF | CEILING DIFFUSER | ASCD | REF | C, D, E, L |
| CO61 | SUPPLY AIR | TMS-AG | CEILING DIFFUSER | ASCD | REF | C, D, E, L |
| CO62 | SUPPLY AIR | TMS-AH | CEILING DIFFUSER | ASCD | REF | C, D, E, L |
| CO63 | SUPPLY AIR | TMS-AI | CEILING DIFFUSER | ASCD | REF | C, D, E, L |
| CO64 | SUPPLY AIR | TMS-AJ | CEILING DIFFUSER | ASCD | REF | C, D, E, L |
| CO65 | SUPPLY AIR | TMS-AK | CEILING DIFFUSER | ASCD | REF | C, D, E, L |
| CO66 | SUPPLY AIR | TMS-AL | CEILING DIFFUSER | ASCD | REF | C, D, E, L |
| CO67 | SUPPLY AIR | TMS-AM | CEILING DIFFUSER | ASCD | REF | C, D, E, L |
| CO68 | SUPPLY AIR | TMS-AN | CEILING DIFFUSER | ASCD | REF | C, D, E, L |
| CO69 | SUPPLY AIR | TMS-AO | CEILING DIFFUSER | ASCD | REF | C, D, E, L |
| CO70 | SUPPLY AIR | TMS-AP | CEILING DIFFUSER | ASCD | REF | C, D, E, L |
| CO71 | SUPPLY AIR | TMS-AQ | CEILING DIFFUSER | ASCD | REF | C, D, E, L |
| CO72 | SUPPLY AIR | TMS-AR | CEILING DIFFUSER | ASCD | REF | C, D, E, L |
| CO73 | SUPPLY AIR | TMS-AS | CEILING DIFFUSER | ASCD | REF | C, D, E, L |
| CO74 | SUPPLY AIR | TMS-AT | CEILING DIFFUSER | ASCD | REF | C, D, E, L |
| CO75 | SUPPLY AIR | TMS-AU | CEILING DIFFUSER | ASCD | REF | C, D, E, L |
| CO76 | SUPPLY AIR | TMS-AV | CEILING DIFFUSER | ASCD | REF | C, D, E, L |
| CO77 | SUPPLY AIR | TMS-AW | CEILING DIFFUSER | ASCD | REF | C, D, E, L |
| CO78 | SUPPLY AIR | TMS-AX | CEILING DIFFUSER | ASCD | REF | C, D, E, L |
| CO79 | SUPPLY AIR | TMS-AY | CEILING DIFFUSER | ASCD | REF | C, D, E, L |
| CO80 | SUPPLY AIR | TMS-AZ | CEILING DIFFUSER | ASCD | REF | C, D, E, L |
| CO81 | SUPPLY AIR | TMS-AA | CEILING DIFFUSER | ASCD | REF | C, D, E, L |
| CO82 | SUPPLY AIR | TMS-AB | CEILING DIFFUSER | ASCD | REF | C, D, E, L |
| CO83 | SUPPLY AIR | TMS-AC | CEILING DIFFUSER | ASCD | REF | C, D, E, L |
| CO84 | SUPPLY AIR | TMS-AD | CEILING DIFFUSER | ASCD | REF | C, D, E, L |
| CO85 | SUPPLY AIR | TMS-AE | CEILING DIFFUSER | ASCD | REF | C, D, E, L |
| CO86 | SUPPLY AIR | TMS-AF | CEILING DIFFUSER | ASCD | REF | C, D, E, L |
| CO87 | SUPPLY AIR | TMS-AG | CEILING DIFFUSER | ASCD | REF | C, D, E, L |
| CO88 | SUPPLY AIR | TMS-AH | CEILING DIFFUSER | ASCD | REF | C, D, E, L |
| CO89 | SUPPLY AIR | TMS-AI | CEILING DIFFUSER | ASCD | REF | C, D, E, L |
| CO90 | SUPPLY AIR | TMS-AJ | CEILING DIFFUSER | ASCD | REF | C, D, E, L |
| CO91 | SUPPLY AIR | TMS-AK | CEILING DIFFUSER | ASCD | REF | C, D, E, L |
| CO92 | SUPPLY AIR | TMS-AL | CEILING DIFFUSER | ASCD | REF | C, D, E, L |
| CO93 | SUPPLY AIR | TMS-AM | CEILING DIFFUSER | ASCD | REF | C, D, E, L |
| CO94 | SUPPLY AIR | TMS-AN | CEILING DIFFUSER | ASCD | REF | C, D, E, L |
| CO95 | SUPPLY AIR | TMS-AO | CEILING DIFFUSER | ASCD | REF | C, D, E, L |
| CO96 | SUPPLY AIR | TMS-AP | CEILING DIFFUSER | ASCD | REF | C, D, E, L |
| CO97 | SUPPLY AIR | TMS-AQ | CEILING DIFFUSER | ASCD | REF | C, D, E, L |
| CO98 | SUPPLY AIR | TMS-AR | CEILING DIFFUSER | ASCD | REF | C, D, E, L |
| CO99 | SUPPLY AIR | TMS-AS | CEILING DIFFUSER | ASCD | REF | C, D, E, L |
| CO100 | SUPPLY AIR | TMS-AT | CEILING DIFFUSER | ASCD | REF | C, D, E, L |

AIR HANDLING UNIT SCHEDULE

| MARK | MANUFACTURER | MODEL | TYPE | SIZE | NOTES |
|------|--------------|------------|------|------|------------|
| AHU1 | MUNTERS | HCU68040AD | 5000 | 0.5" | CONTINUOUS |

GENERAL INFORMATION (ALL UNITS):
 1. UNITS FURNISHED BY MECHANICAL CONTRACTOR.
 2. ALL UNITS ARE 60V, 3 PHASE, 60 HERTZ. UNITS MUST BE UL OR ETL APPROVED.
 3. UNIT OPERATING WEIGHT (LBS): 7,780.
 4. OUTSIDE AIR IS CONDITIONED THROUGH THE AIR HANDLING UNITS FOR THE SALES FLOOR AREA.
 5. IN ACCORDANCE WITH ASHRAE 62.1-2009 PER ARI 210 AND 360. EER = 11.1
 6. ROOF CURB FURNISHED BY OWNER. REFER TO SPECIFICATIONS.
 7. UNITS ARE PROVIDED WITH FACTORY INSTALLED CONVECTION RECEPTACLE.
 8. INSTALL ANCHOR BRACKETS FURNISHED WITH ROOF CURB. REF HVAC SEISMIC/WIND RESTRAINT BRACKET DETAIL.
 9. SUPPLY AIR SMOKE DETECTORS ARE FACTORY INSTALLED.

ROOFTOP UNIT SCHEDULE (LENOXX SC SERIES)

| MARK | AREA SERVED | MANUFACTURER | MODEL | TYPE | SIZE | NOTES |
|------|---------------------|--------------|-------|------|------|-------|
| 1 | BREAKROOM/RESTROOMS | LENOXX | SC | AUTO | 10 | A |
| 2 | TRAINING/COURTNEY | LENOXX | SC | AUTO | 15 | A |
| 3 | CHECKOUT/SALES | LENOXX | SC | AUTO | 10 | A |
| 4 | SALES | LENOXX | SC | AUTO | 10 | A |
| 5 | SALES | LENOXX | SC | AUTO | 40 | A |
| 6 | SALES | LENOXX | SC | AUTO | 40 | A |
| 7 | SALES | LENOXX | SC | AUTO | 40 | A |
| 8 | SALES | LENOXX | SC | AUTO | 40 | A |
| 9 | SALES | LENOXX | SC | AUTO | 30 | A |

GENERAL INFORMATION (ALL UNITS):
 1. UNITS FURNISHED BY MECHANICAL CONTRACTOR.
 2. UNITS ARE 60V, 3 PHASE, 60 HERTZ. UNITS MUST BE UL OR ETL APPROVED.
 3. UNIT OPERATING WEIGHTS (LBS): 20 TON = 3,192, 10 TON = 1,602, 5 TON = 1,050, 3 TON = 1,019.
 4. OUTSIDE AIR IS CONDITIONED THROUGH THE VENTILATION UNITS FOR THE SALES FLOOR AREA AND THROUGH THE ROOFTOP UNITS AS SCHEDULED ABOVE IN ACCORDANCE WITH ASHRAE 62.1-2007.
 5. UNITS ARE PROVIDED WITH HIGH-TYPE RATED CIRCUIT BREAKER.
 6. UNITS ARE PROVIDED WITH SINGLE POINT POWER CONNECTIONS.
 7. UNITS ARE PROVIDED WITH FACTORY INSTALLED CONVECTION RECEPTACLE.
 8. ROOF CURB FURNISHED BY OWNER. REFER TO SPECIFICATIONS.
 9. UNIT ENERGY EFFICIENCY RATINGS (EER) PER ARI 210 & 360 ARE AS FOLLOWS: 3 TON = 14.3, 5 TON = 12.8, 10 TON = 10.5, 15 TON = 10.5, 20 TON = 10.5.
 10. UNIT SEASONAL ENERGY EFFICIENCY RATINGS (SEER) PER ARI 210 & 240 ARE AS FOLLOWS: 3 TON = 16.1, 5 TON = 15.5, 10 TON = 15.5, 15 TON = 15.5, 20 TON = 15.5.
 11. UNITS ARE PROVIDED WITH DANFOSS EMS TEMPERATURE AND CO2 SENSORS ARE FURNISHED SEPARATELY FOR COMMUNICATION WITH DANFOSS EMS TEMPERATURE AND CO2 SENSORS ARE FURNISHED SEPARATELY.
 12. MAKE FINAL COMPRESSOR WIRING TERMINATIONS ON ROTATION-SENSITIVE COMPRESSORS.
 13. UNITS ARE PROVIDED WITH FULLY MODULATING CONVECTION RECEPTACLE.
 14. UNITS ARE PROVIDED WITH FACTORY INSTALLED CONVECTION RECEPTACLE.
 15. INSTALL ANCHOR BRACKETS FURNISHED WITH ROOF CURB. REF HVAC SEISMIC/WIND RESTRAINT BRACKET DETAIL.

SPIN-IN FITTINGS
 W/SPOOPS ARE NOT ACCEPTABLE
 45° LEAD IN

BRANCH DUCT FITTING

$L = W/4, 4" \text{ MIN}$

VOLUME/BALANCE DAMPER SCHEDULE

| MARK | AREA SERVED | MANUFACTURER | MODEL | TYPE | SIZE | NOTES |
|------|-------------|--------------|-------|------|------|-------|
| CO | SUPPLY AIR | TITUS | | | | |