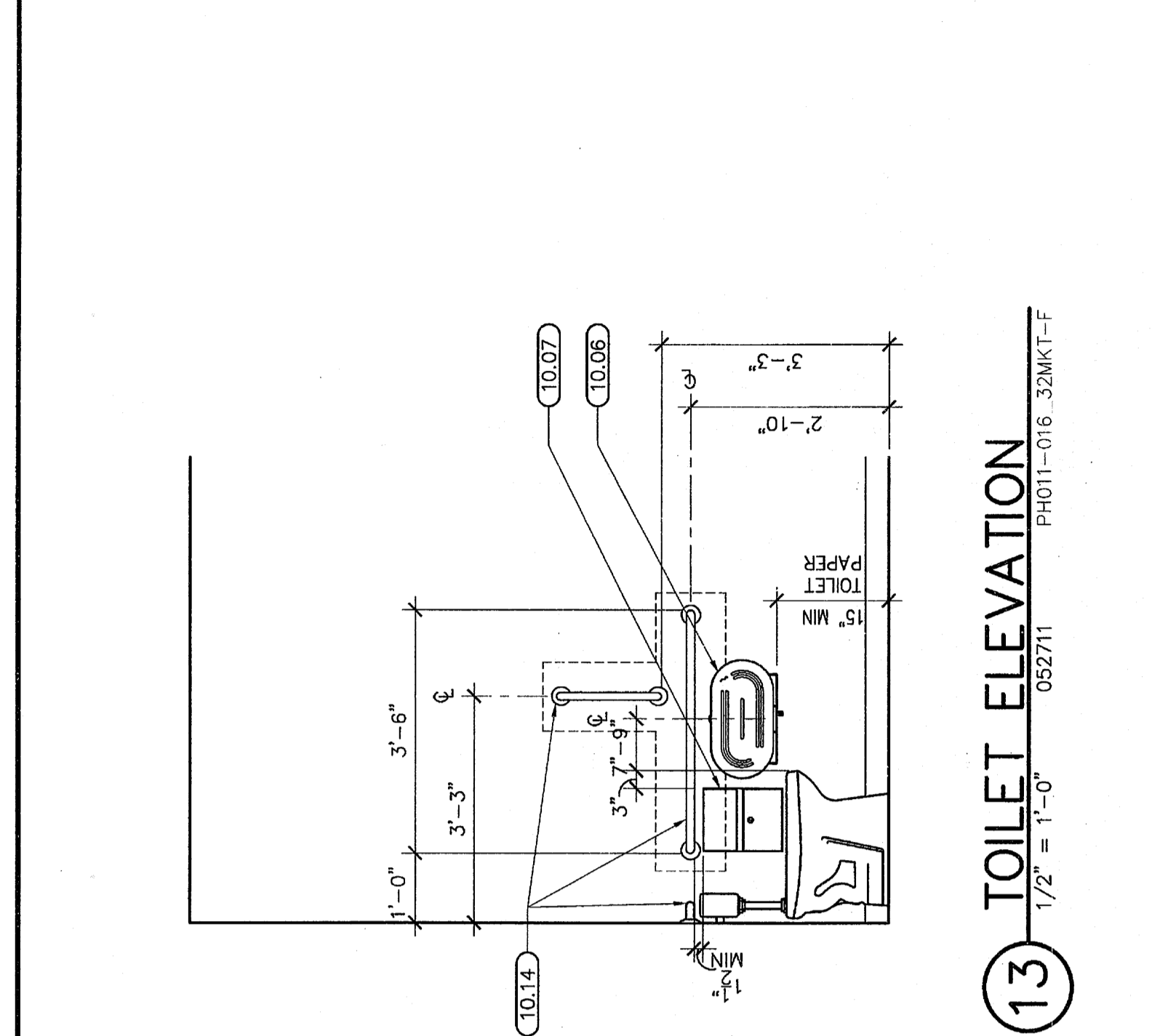
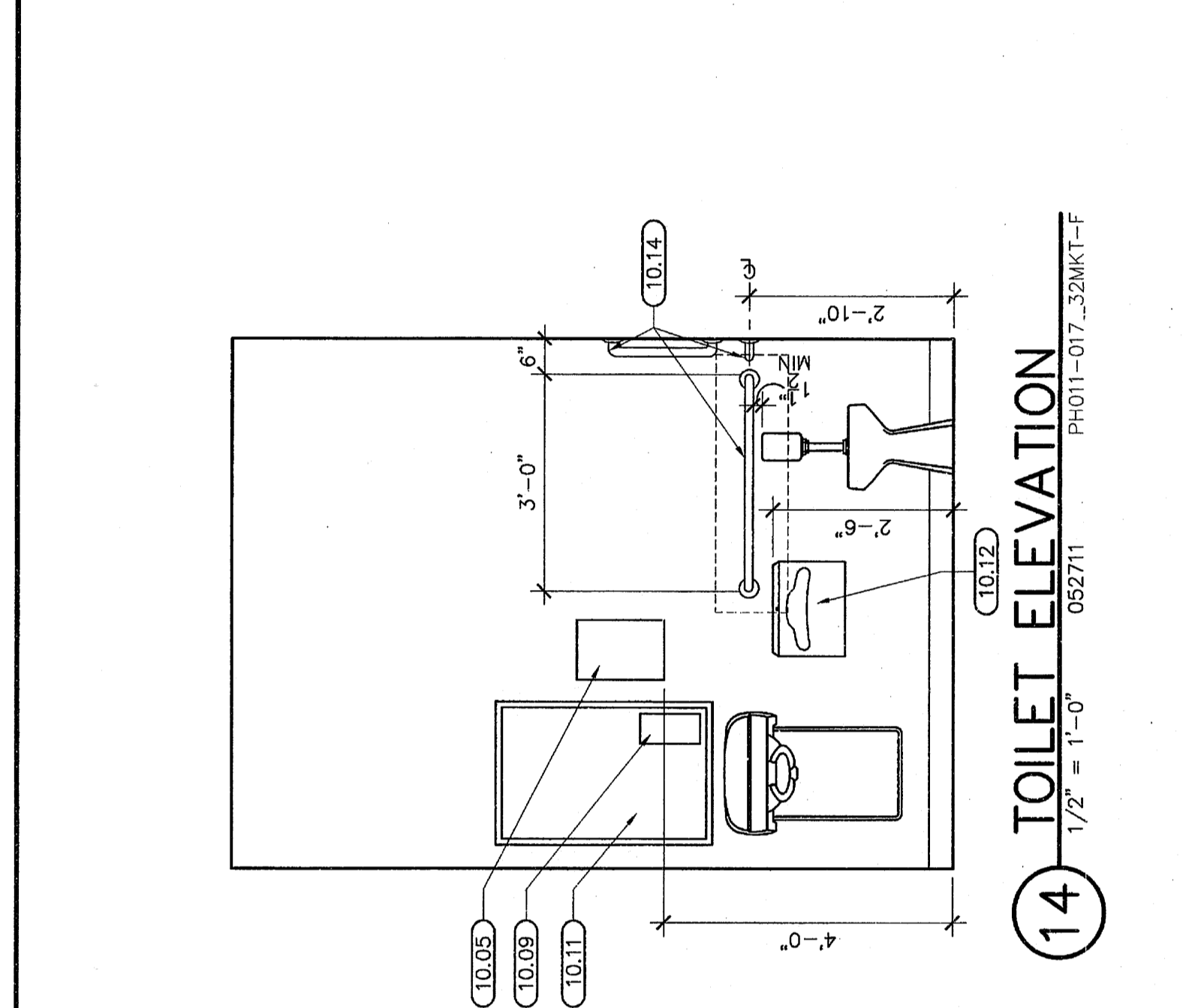


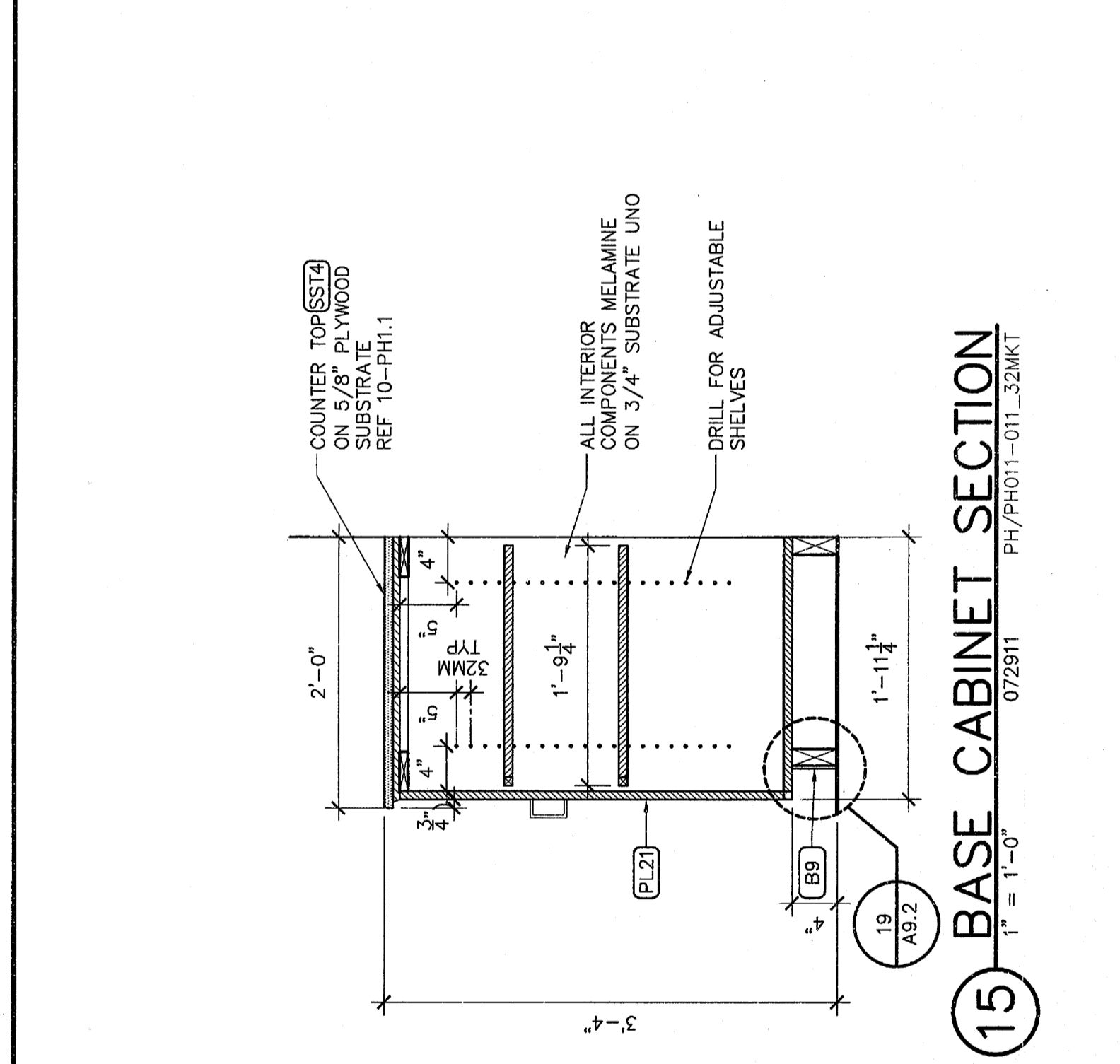
052711
SHEET NOTES
 1. COUNTERTOPS SHALL BE (CS1) SPECIFICATIONS.
 2. INSTALL MIRRORS PER MANUFACTURERS SPECIFICATIONS.
 3. REF SHEET A7 FOR FINISH LEGEND.
 4. WAL-MART FURNISHED AND INSTALLED ITEMS SHOWN DASHED LINO.
 5. ALL MELAMINE TO BE BLACK.



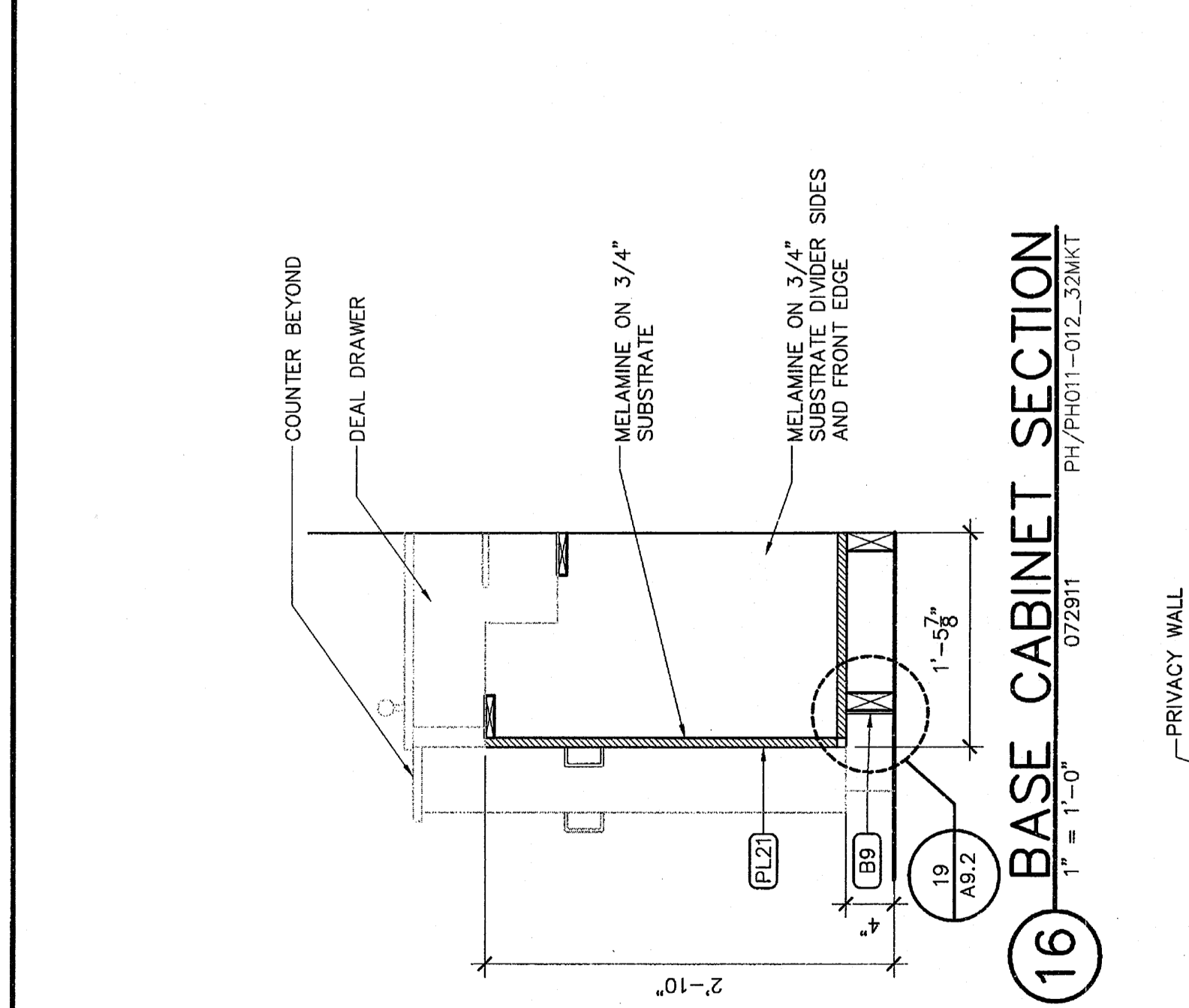
13 TOILET ELEVATION
 1/2" = 1'-0"
 PH011-016_32MK1-F
 052711



14 TOILET ELEVATION
 1/2" = 1'-0"
 PH011-017_32MK1-F
 052711



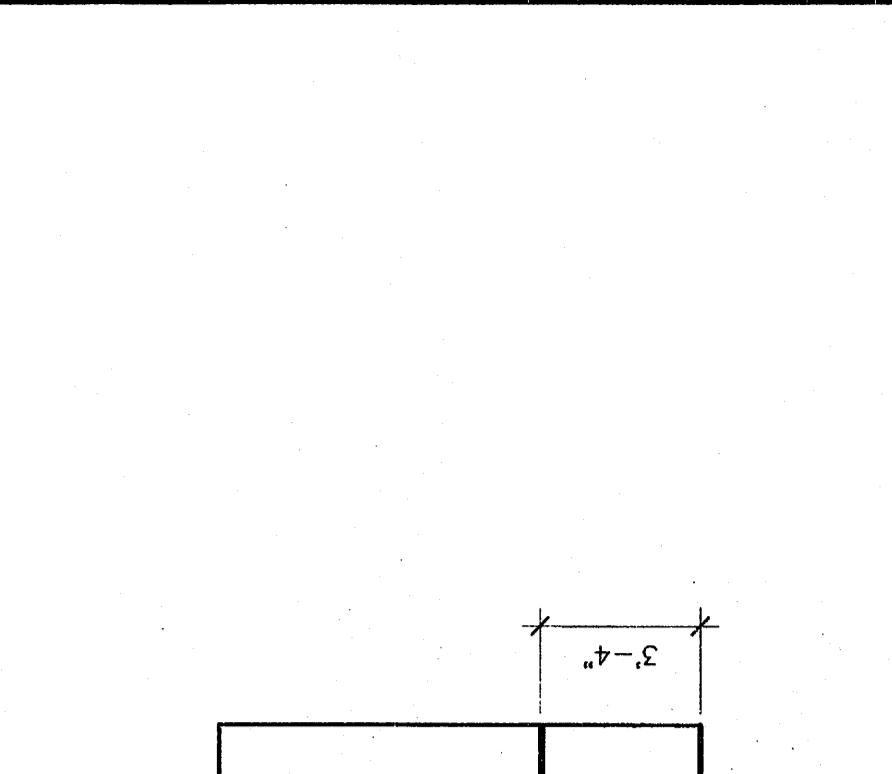
15 BASE CABINET SECTION
 1" = 1'-0"
 PH/PH011-011_32MK1
 072911



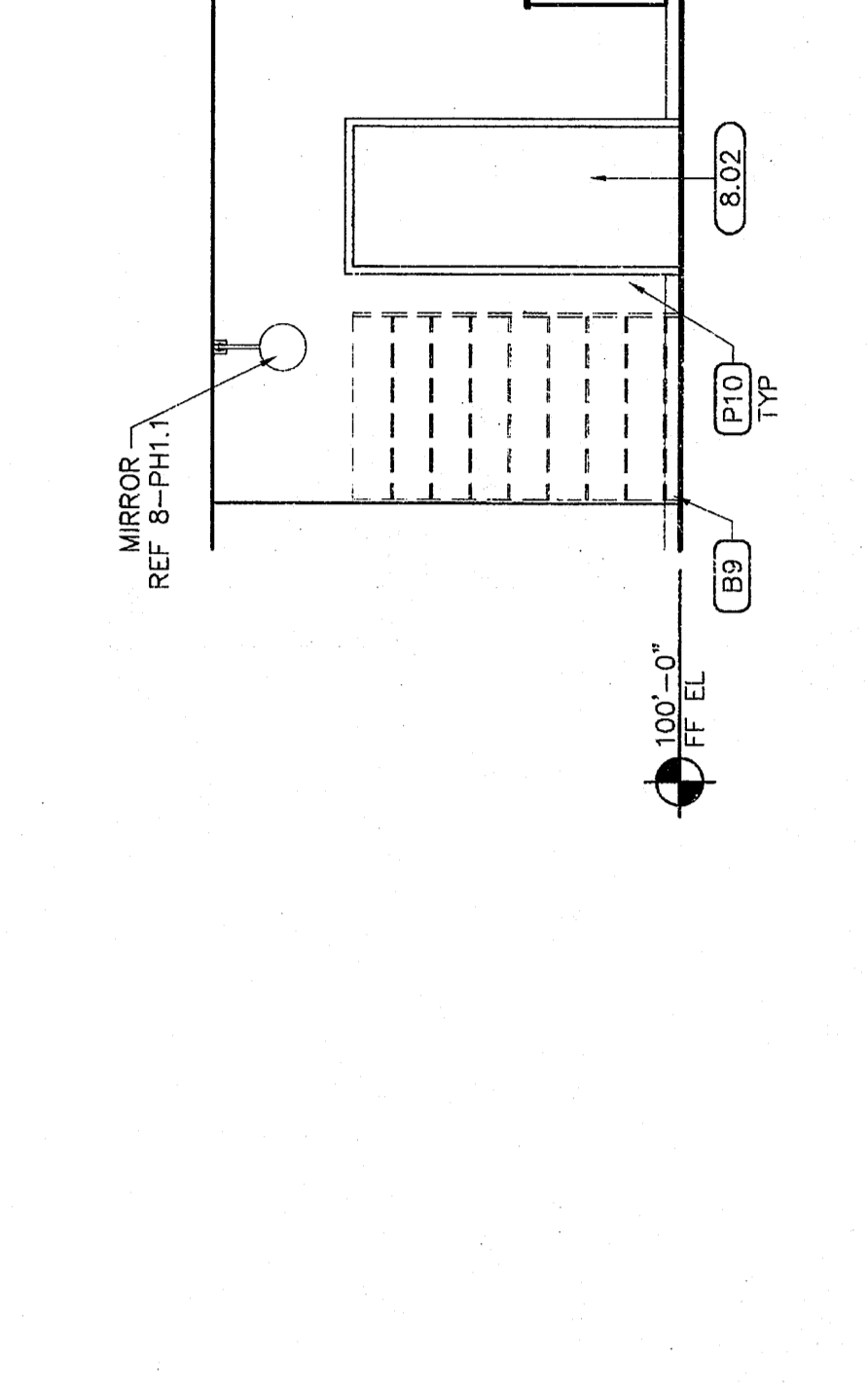
16 BASE CABINET SECTION
 1" = 1'-0"
 PH/PH011-012_32MK1
 072911



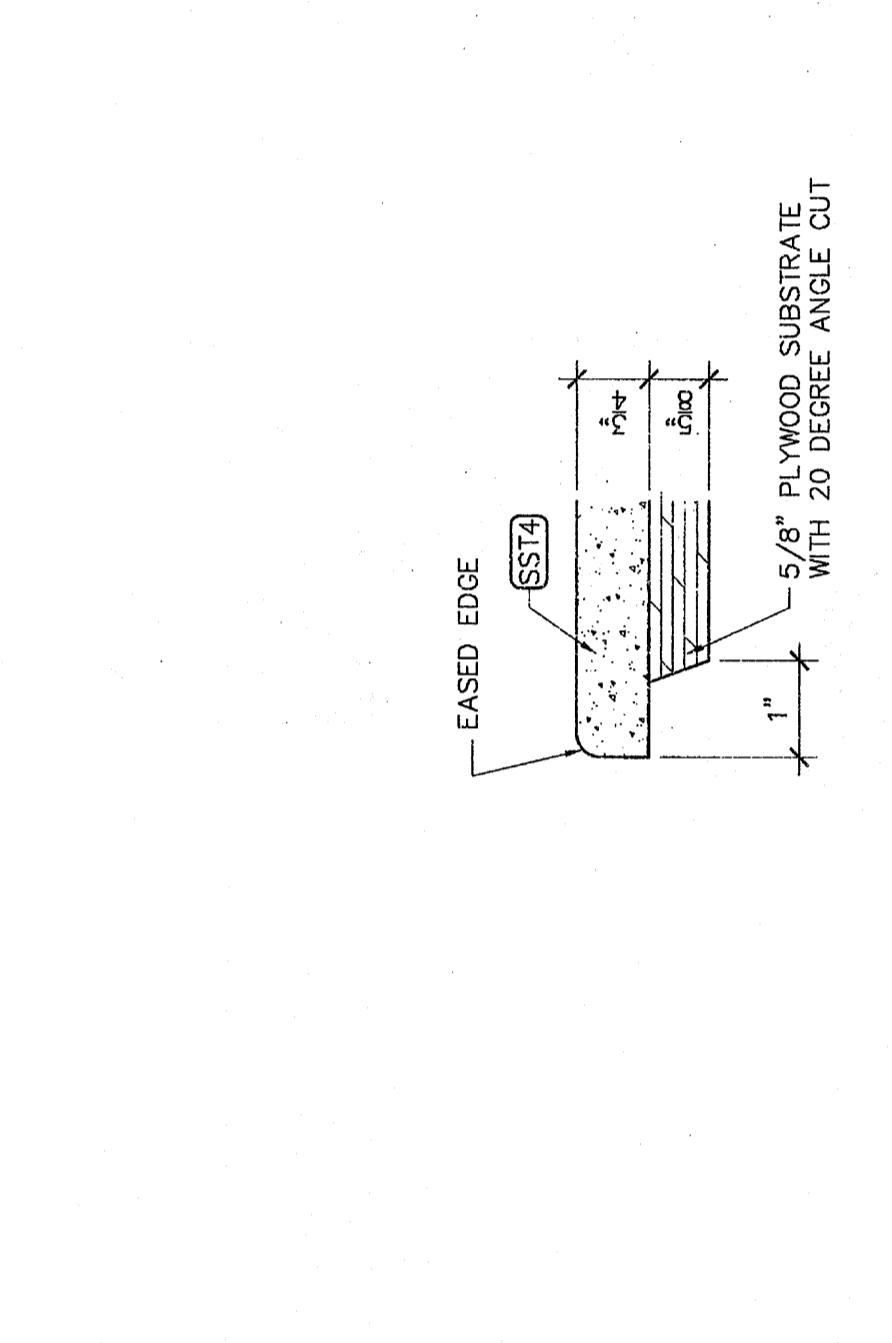
17 BASE CABINET SECTION
 1" = 1'-0"
 PH/PH011-013_32MK1
 072911



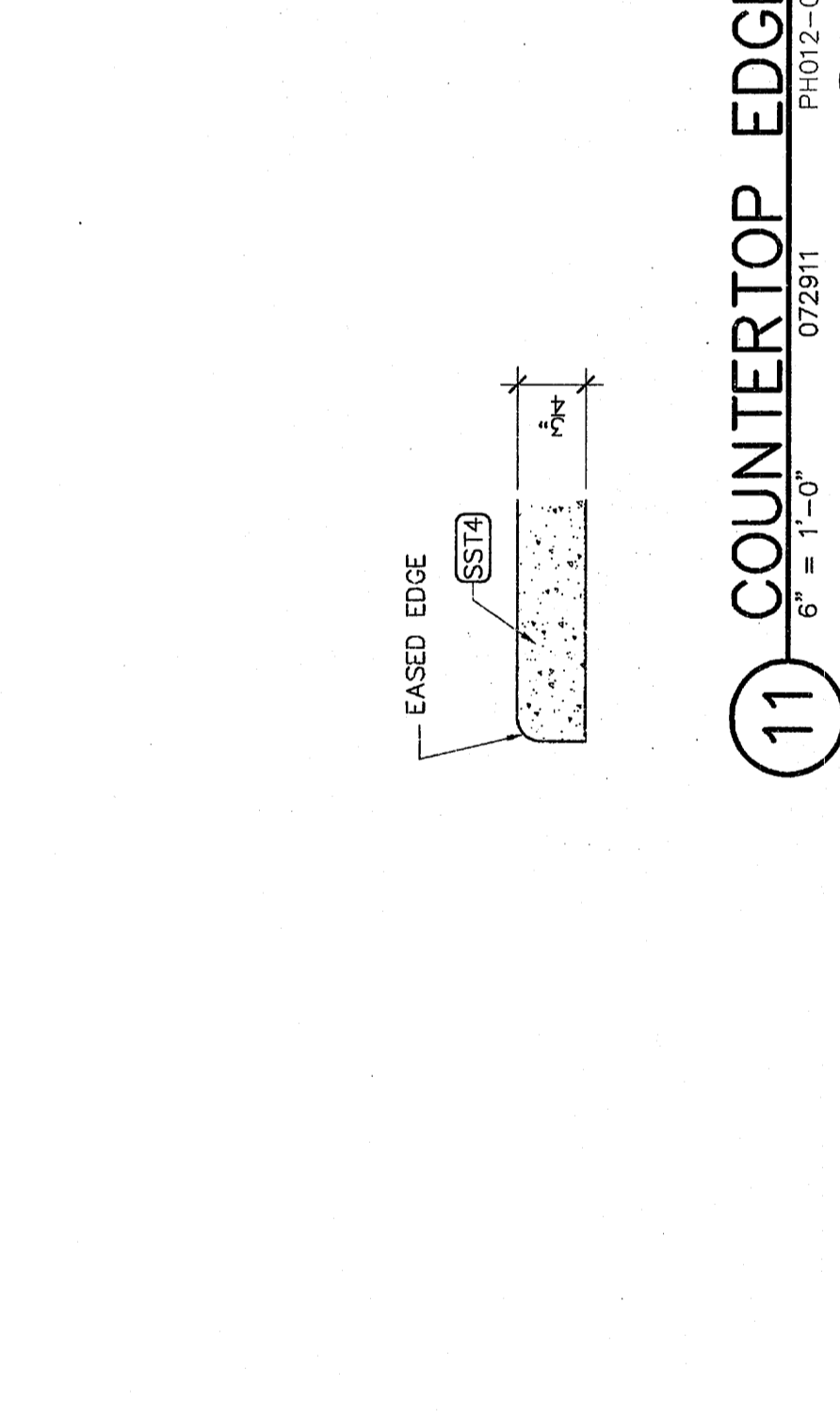
10 COUNTERTOP EDGE
 6" = 1'-0"
 PH012-010
 072911



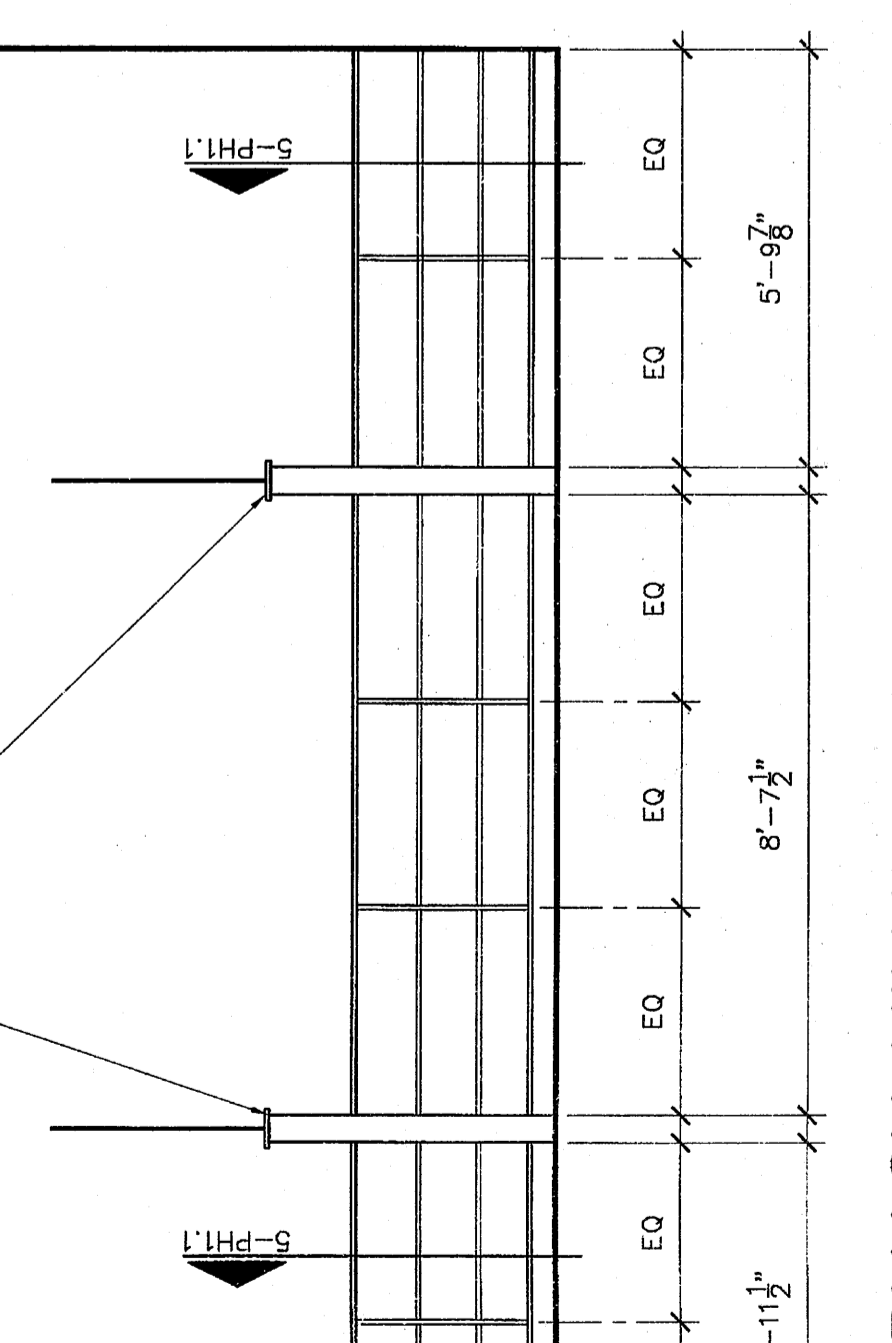
11 COUNTERTOP EDGE
 6" = 1'-0"
 PH012-011
 072911



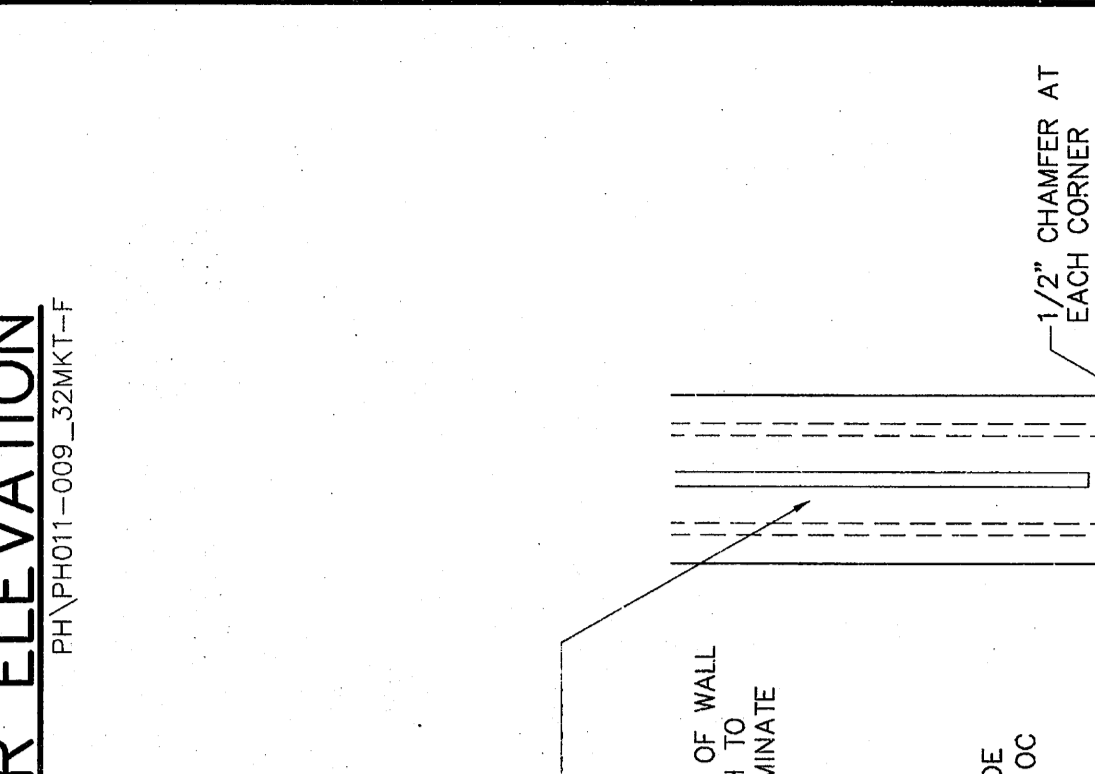
12 COUNTERTOP EDGE
 6" = 1'-0"
 PH012-011
 072911



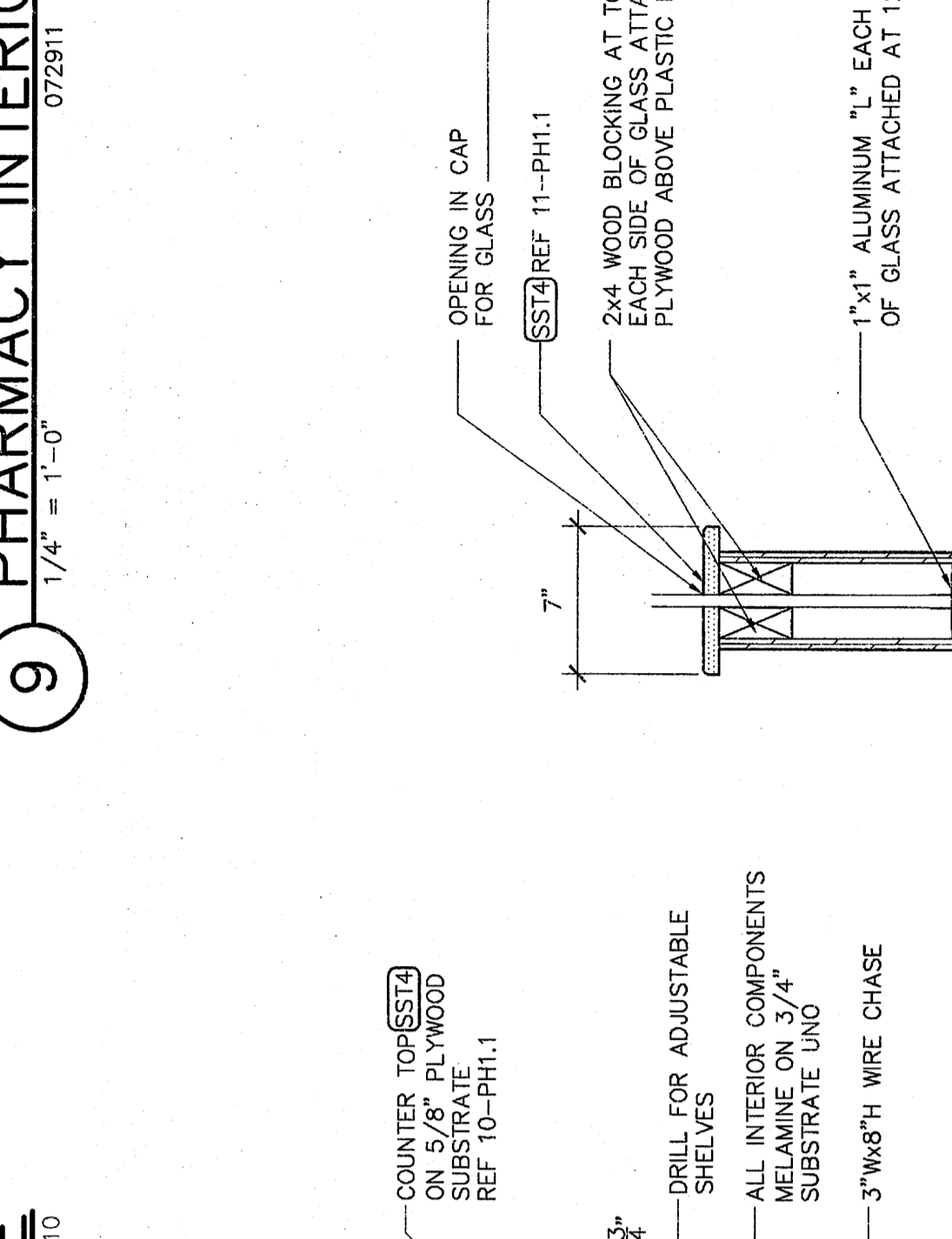
13 COUNTERTOP EDGE
 6" = 1'-0"
 PH012-011
 072911



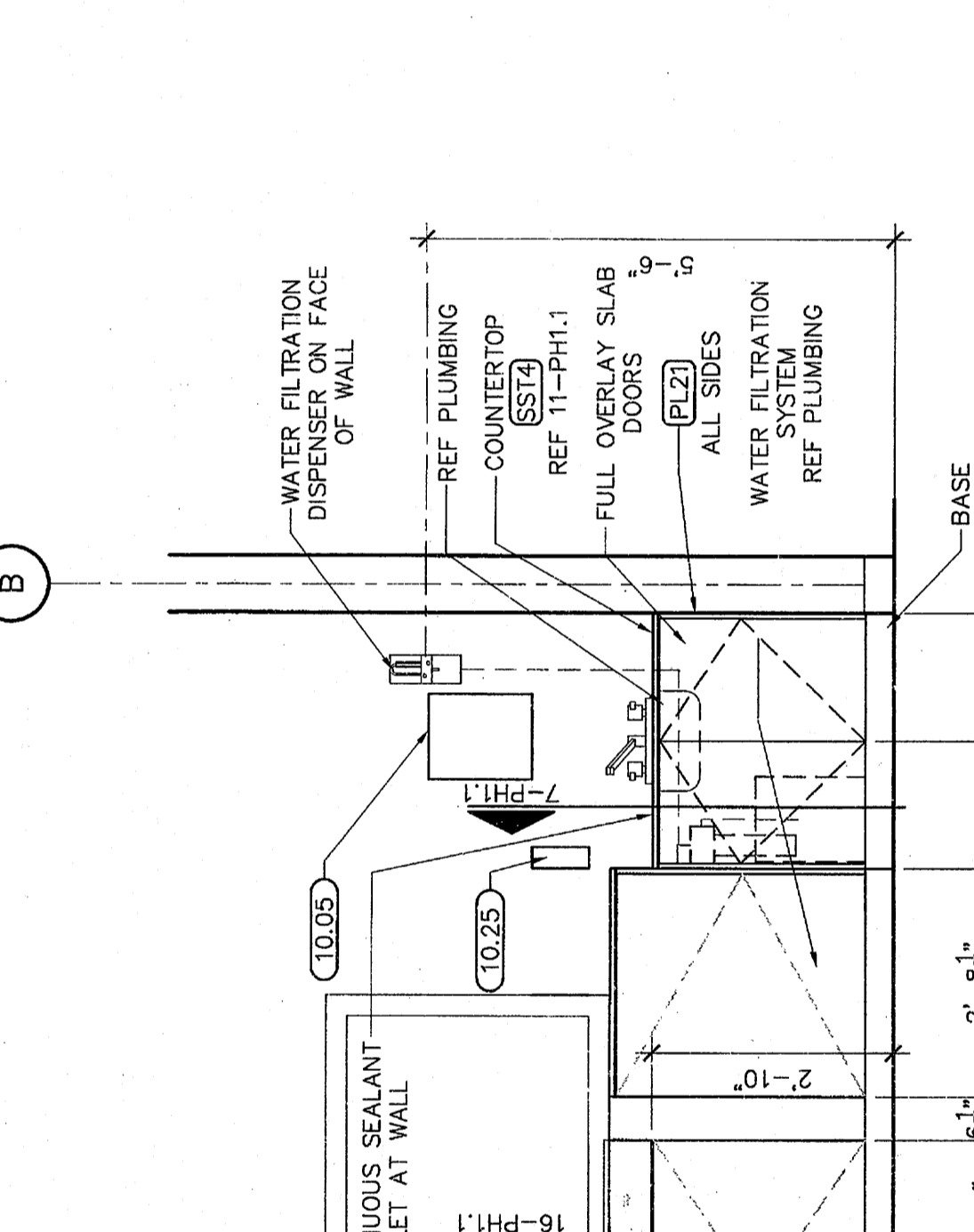
14 COUNTERTOP EDGE
 6" = 1'-0"
 PH012-011
 072911



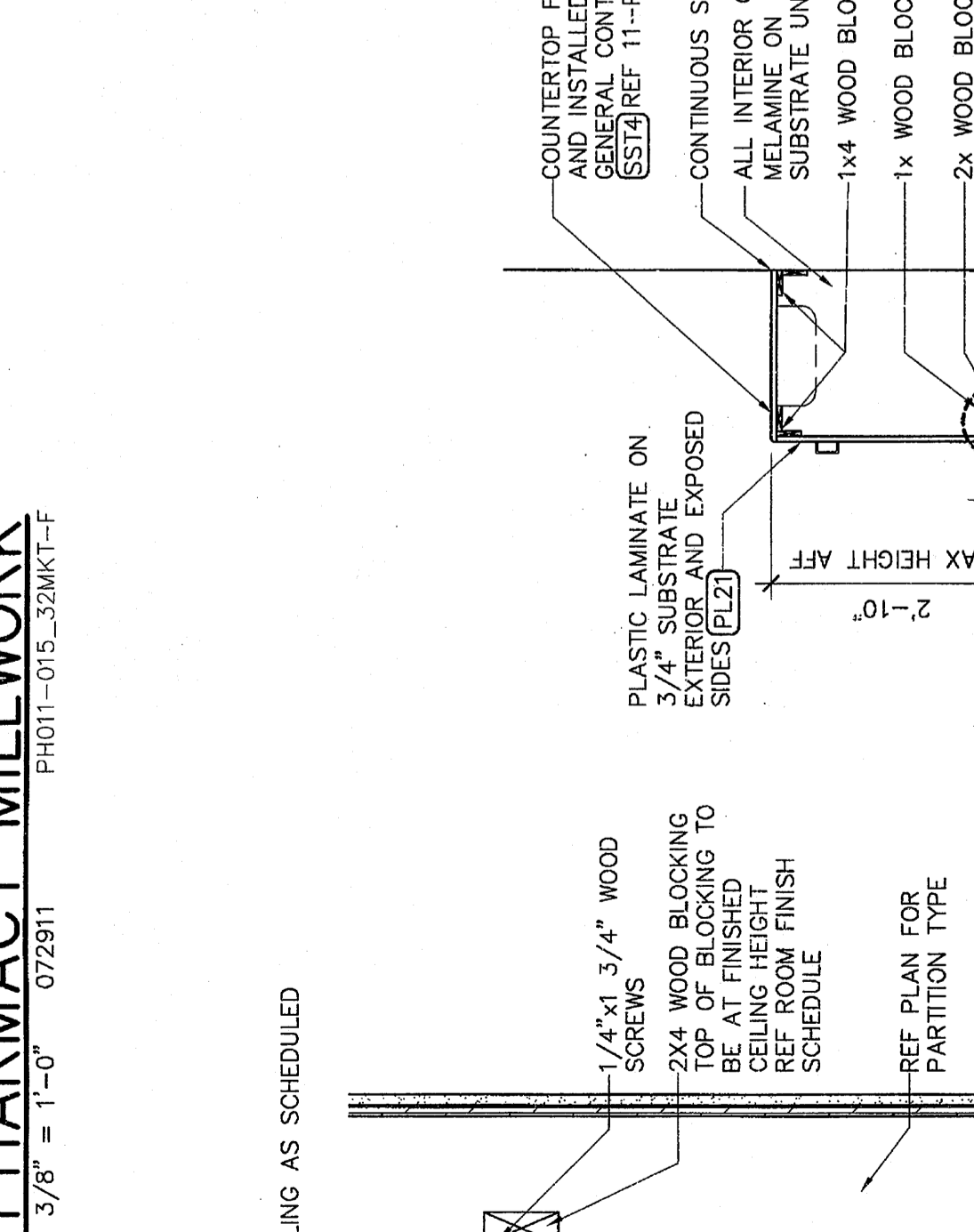
9 PHARMACY INTERIOR ELEVATION
 1/2" = 1'-0"
 PH/PH011-009_32MK1-F
 072911



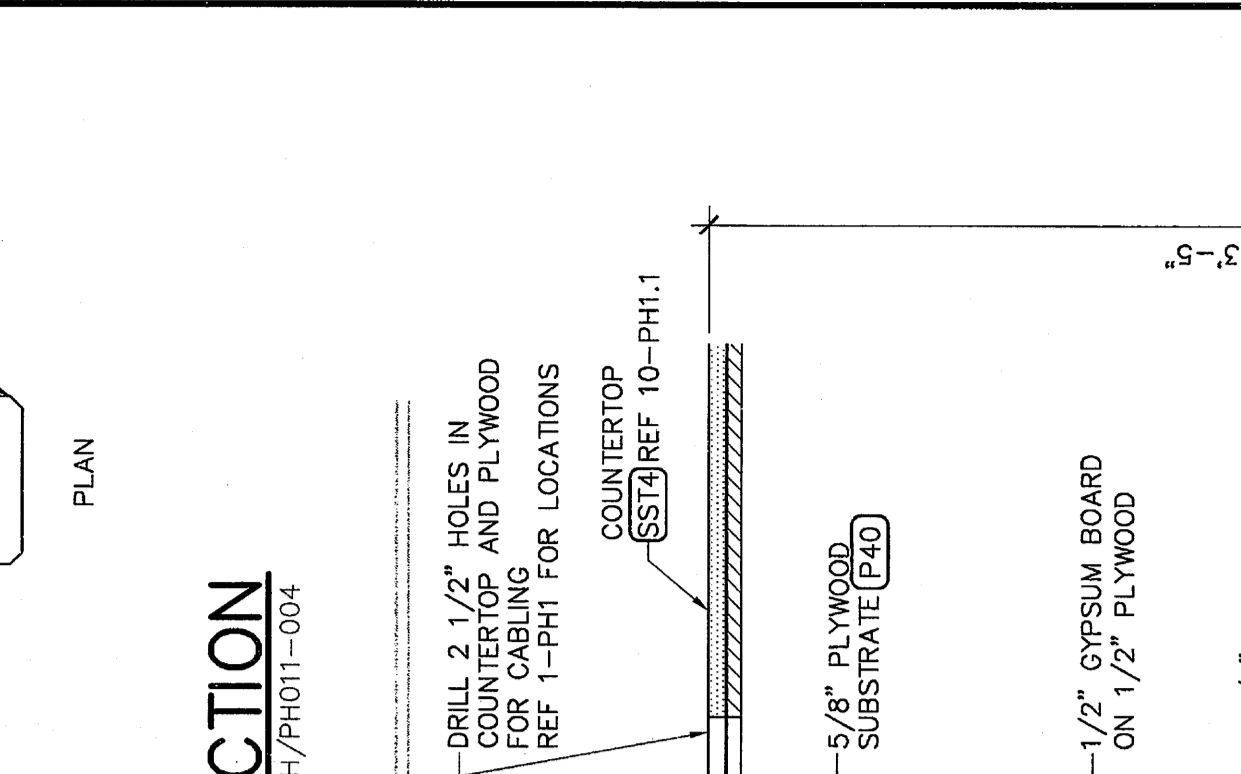
10 PHARMACY INTERIOR ELEVATION
 1/2" = 1'-0"
 PH/PH011-009_32MK1-F
 072911



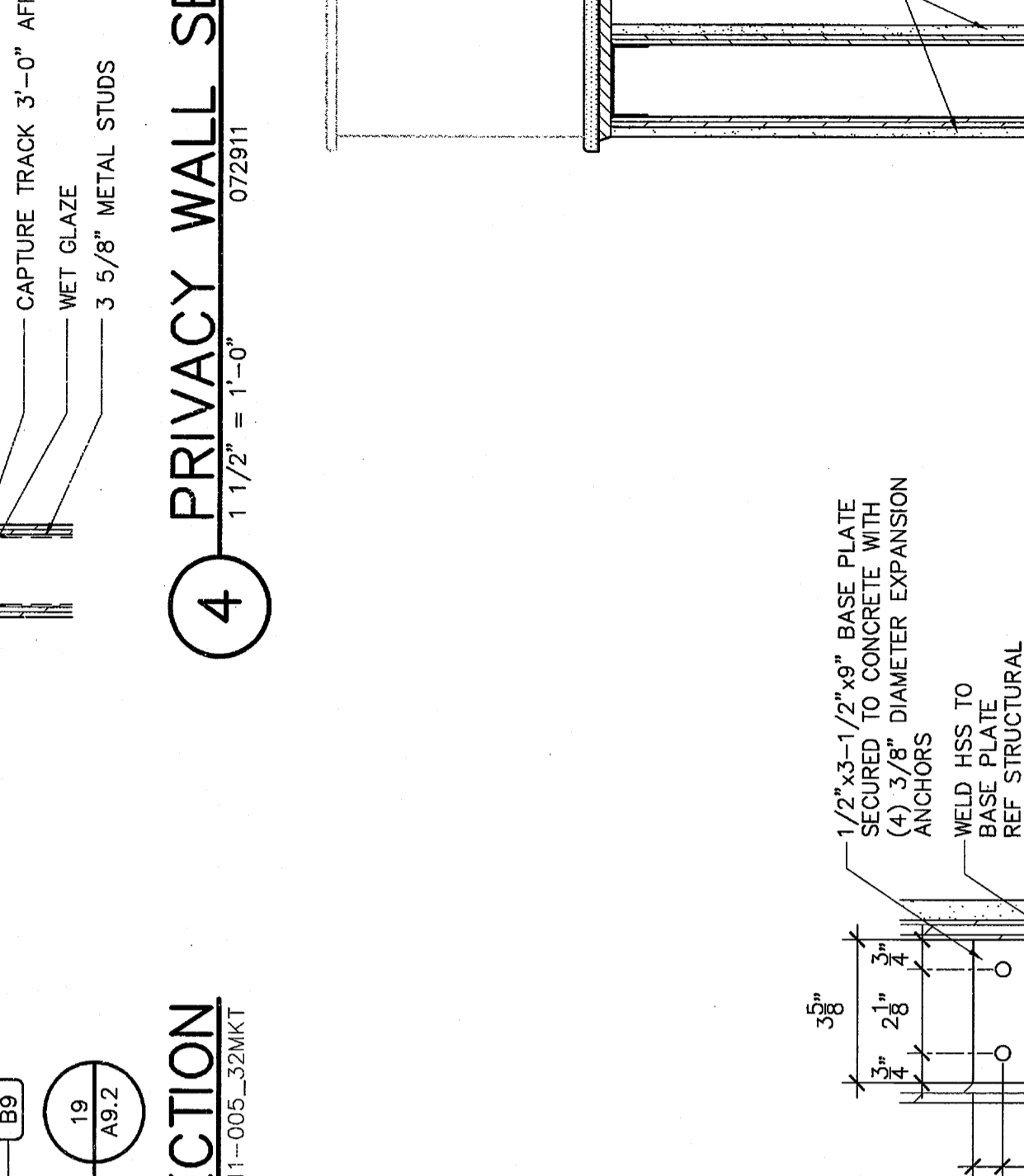
11 PHARMACY INTERIOR ELEVATION
 1/2" = 1'-0"
 PH/PH011-009_32MK1-F
 072911



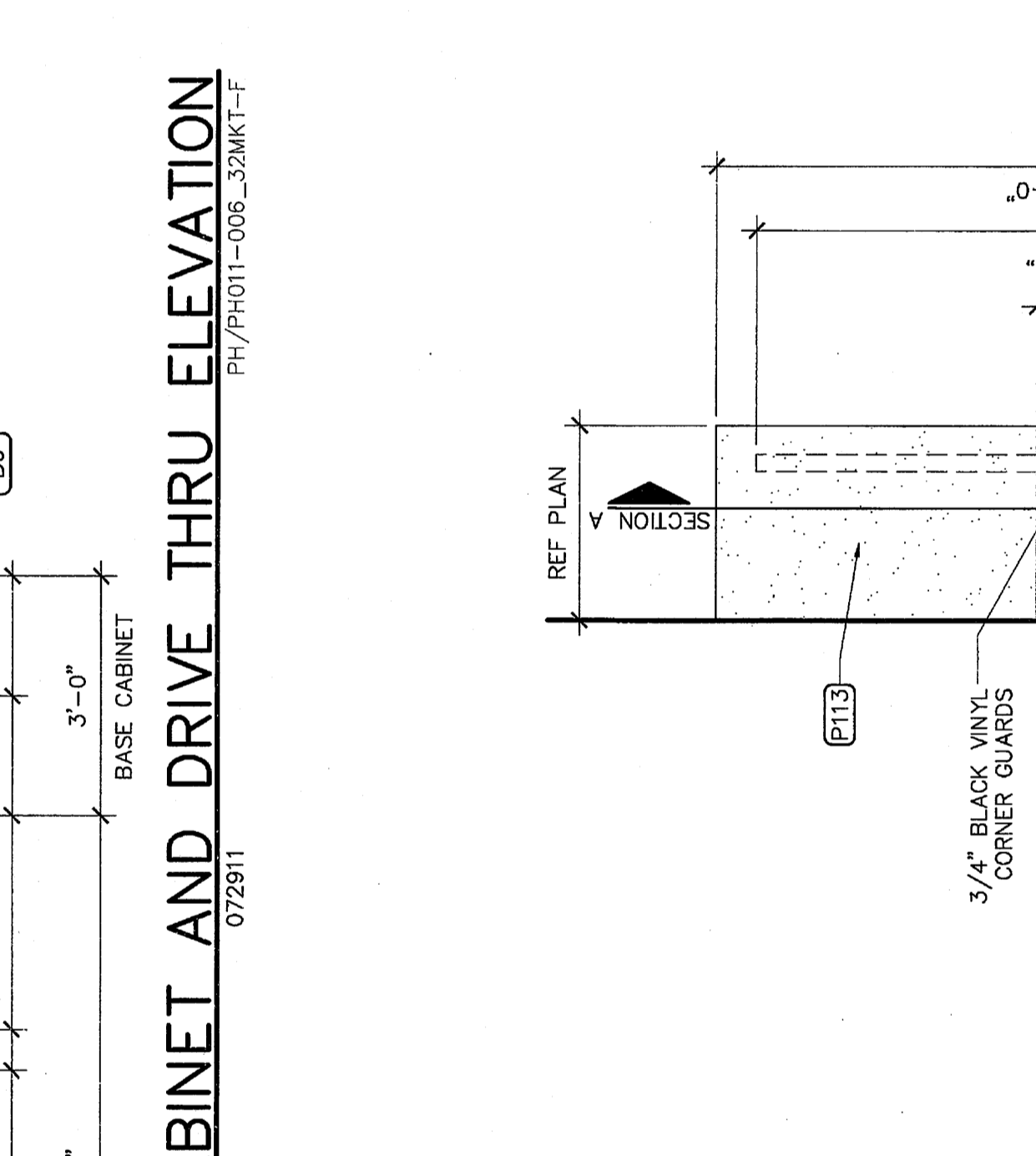
12 PHARMACY INTERIOR ELEVATION
 1/2" = 1'-0"
 PH/PH011-009_32MK1-F
 072911



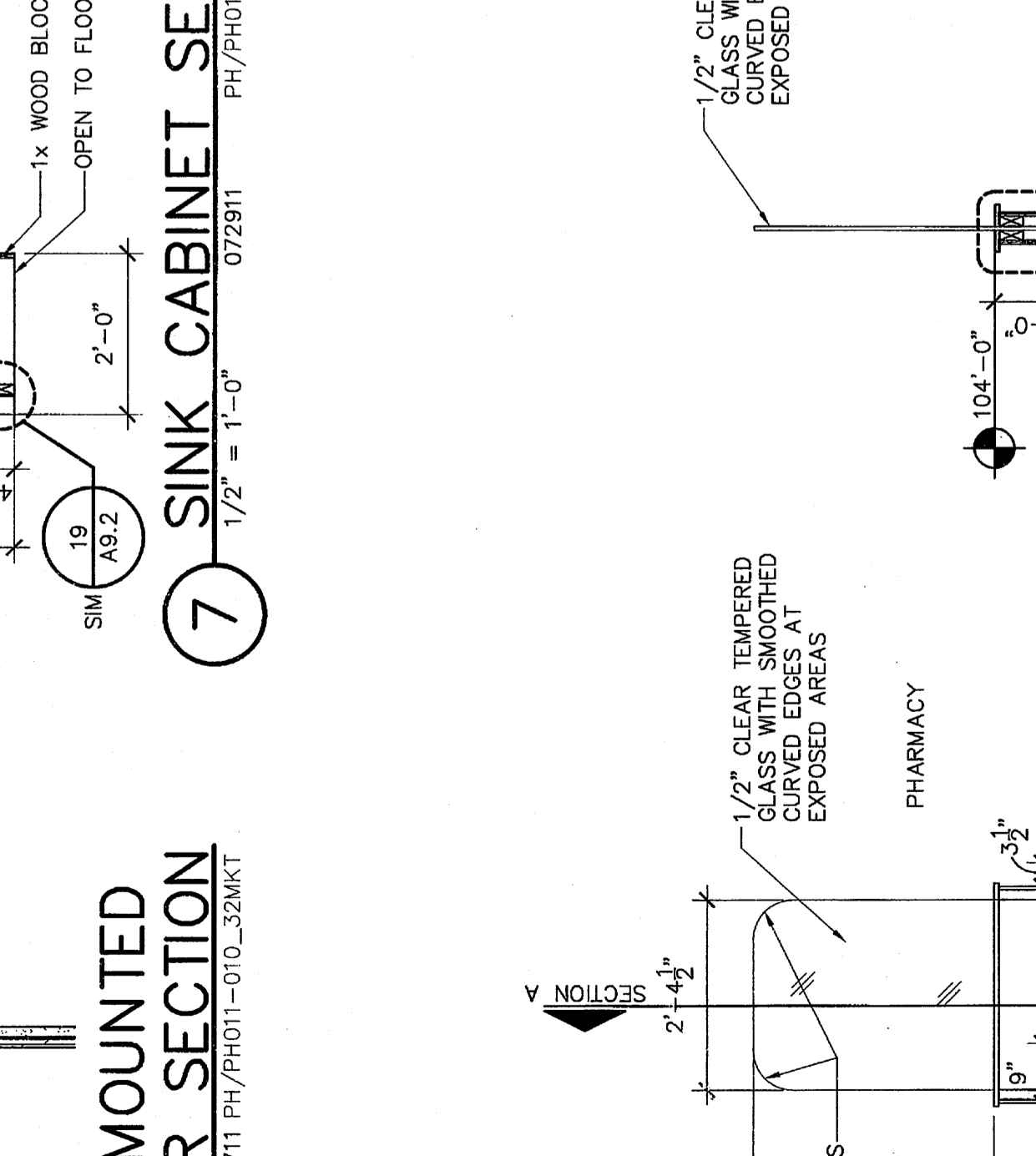
4 PRIVACY WALL SECTION
 1 1/2" = 1'-0"
 PH/PH011-004
 072911



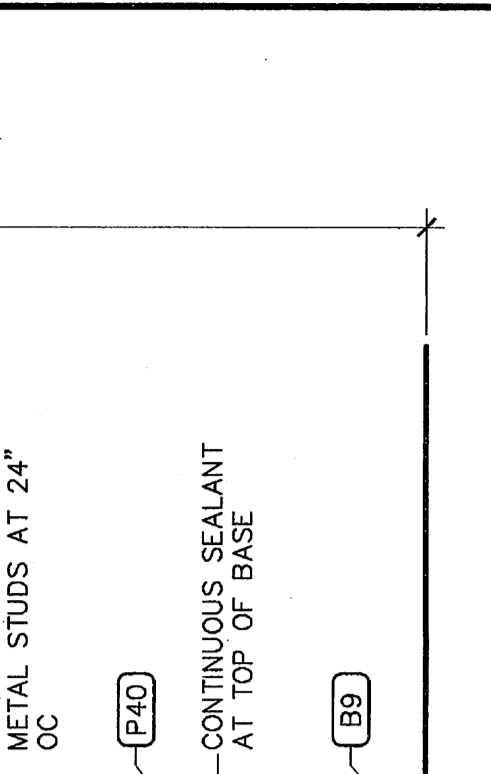
5 BASE CABINET SECTION
 1" = 1'-0"
 PH/PH011-005_32MK1
 072911



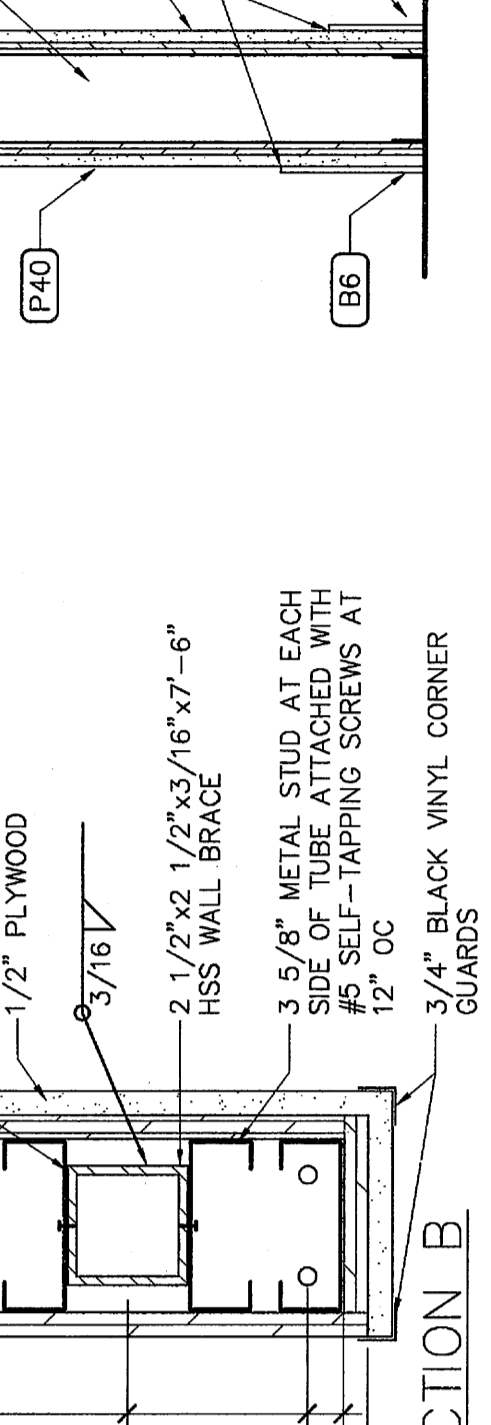
6 SINK CABINET AND DRIVE THRU ELEVATION
 1/2" = 1'-0"
 PH/PH011-006_32MK1-F
 072911



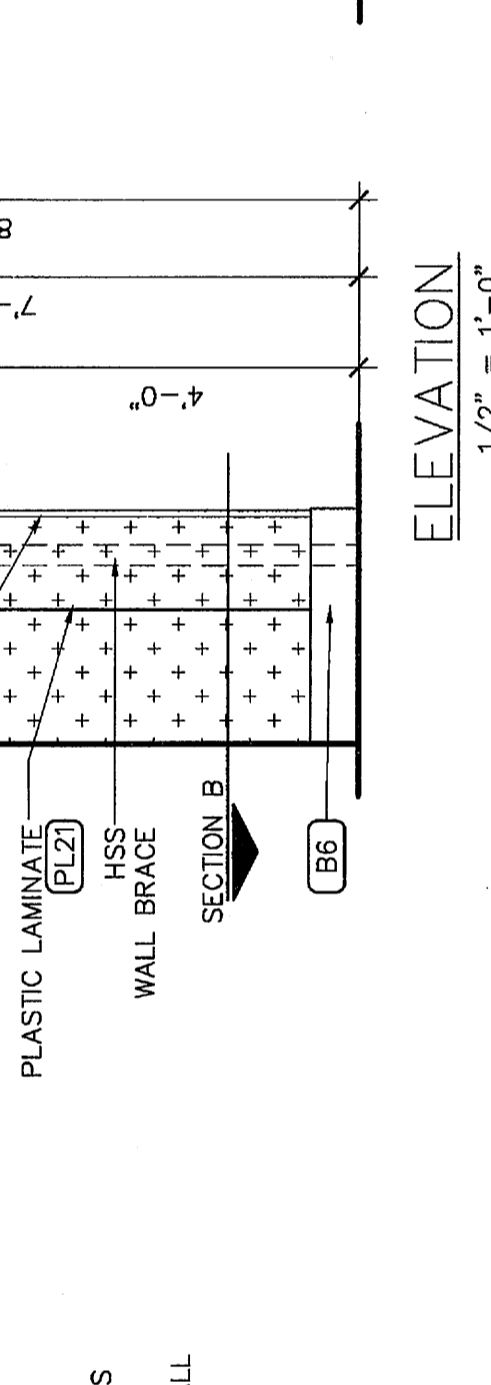
7 SINK CABINET SECTION
 1/2" = 1'-0"
 PH/PH011-006_32MK1
 072911



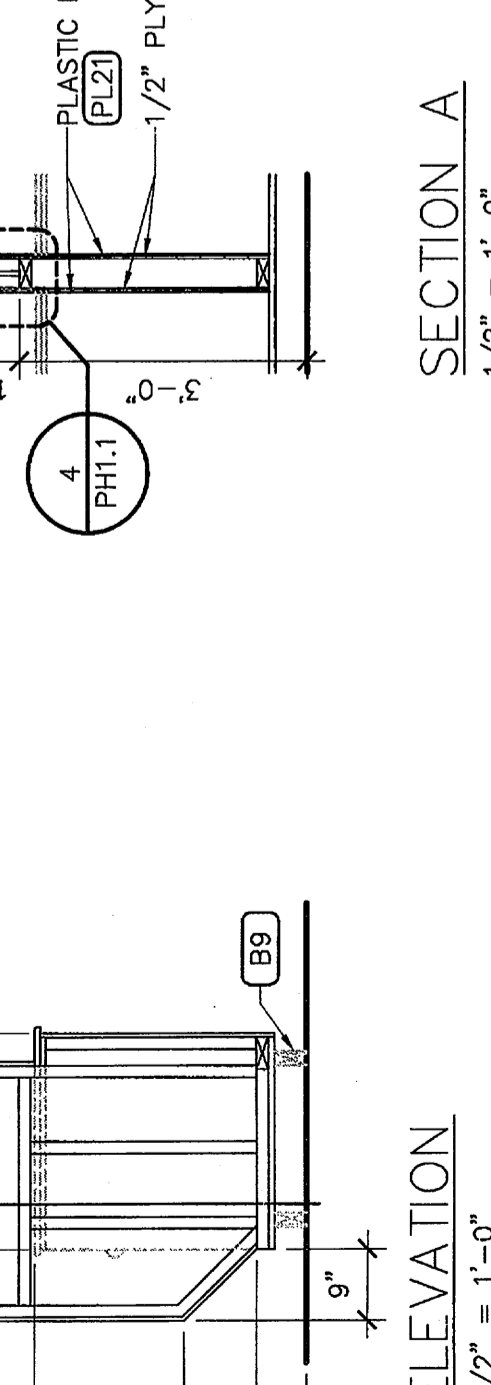
1 SECTION AT KNEEWALL
 1 1/2" = 1'-0"
 PH/PH011-001_32MK1
 072911



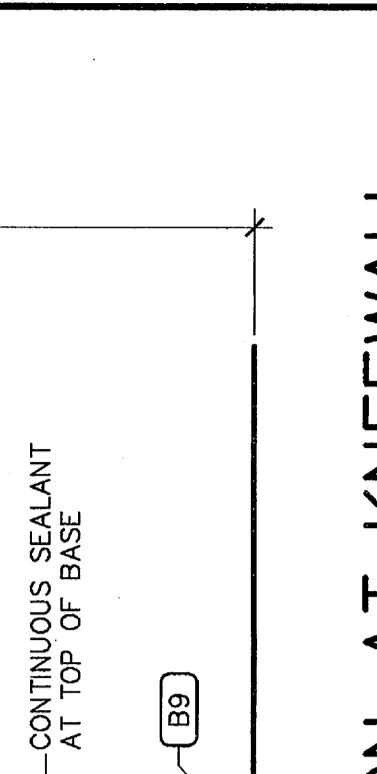
2 PRIVACY WALL
 1/2" = 1'-0"
 PH/PH011-002_32MK1
 052711



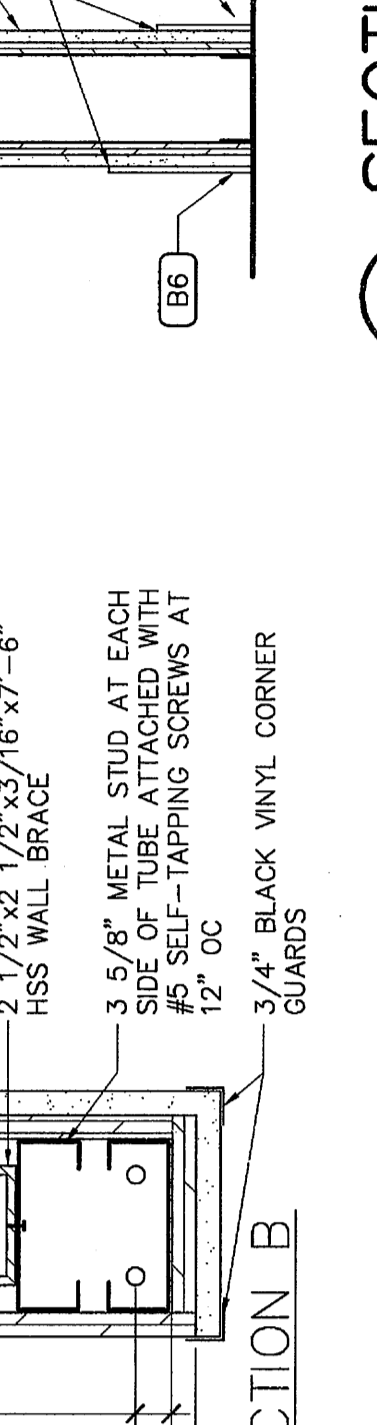
3 PRIVACY WALL
 1/2" = 1'-0"
 PH/PH011-003_32MK1
 072911



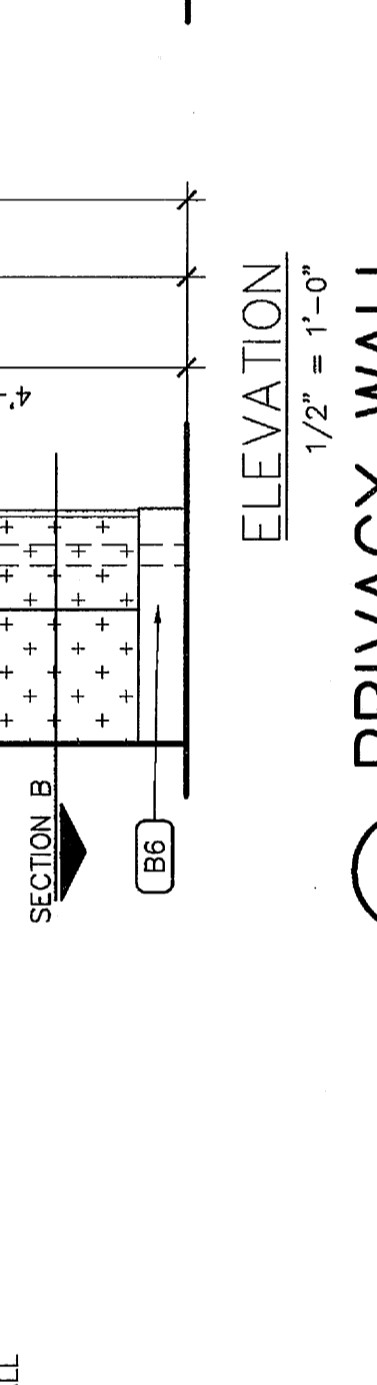
4 PRIVACY WALL
 1/2" = 1'-0"
 PH/PH011-004_32MK1
 072911



5 BASE CABINET SECTION
 1" = 1'-0"
 PH/PH011-005_32MK1
 072911



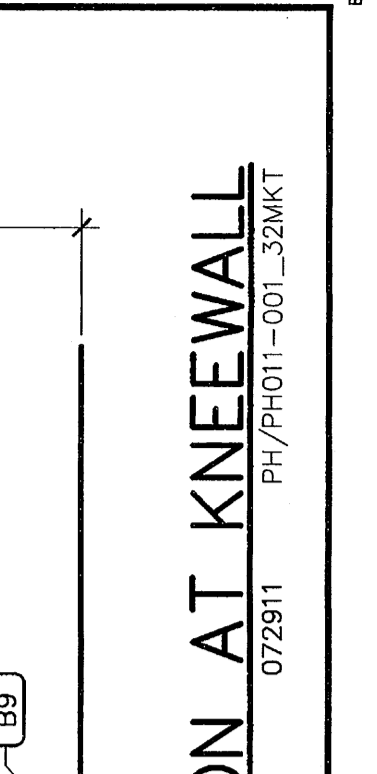
6 SINK CABINET AND DRIVE THRU ELEVATION
 1/2" = 1'-0"
 PH/PH011-006_32MK1-F
 072911



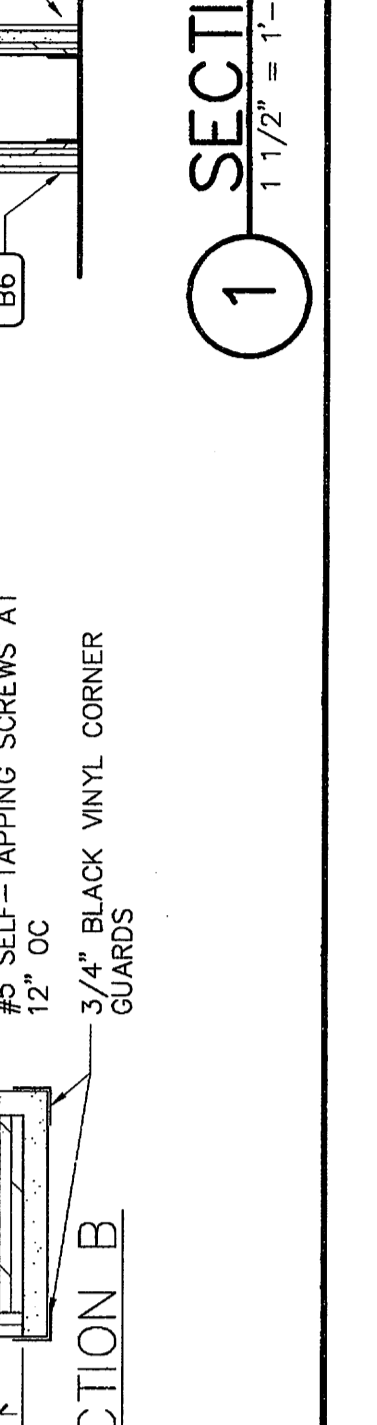
7 SINK CABINET SECTION
 1/2" = 1'-0"
 PH/PH011-006_32MK1
 072911



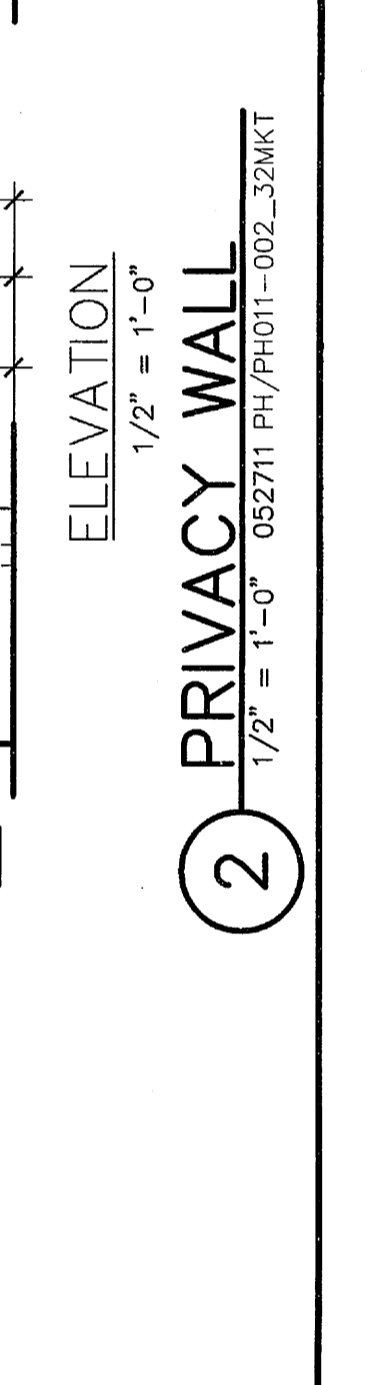
8 WALL MOUNTED MIRROR SECTION
 1/2" = 1'-0"
 PH/PH011-010_32MK1
 052711



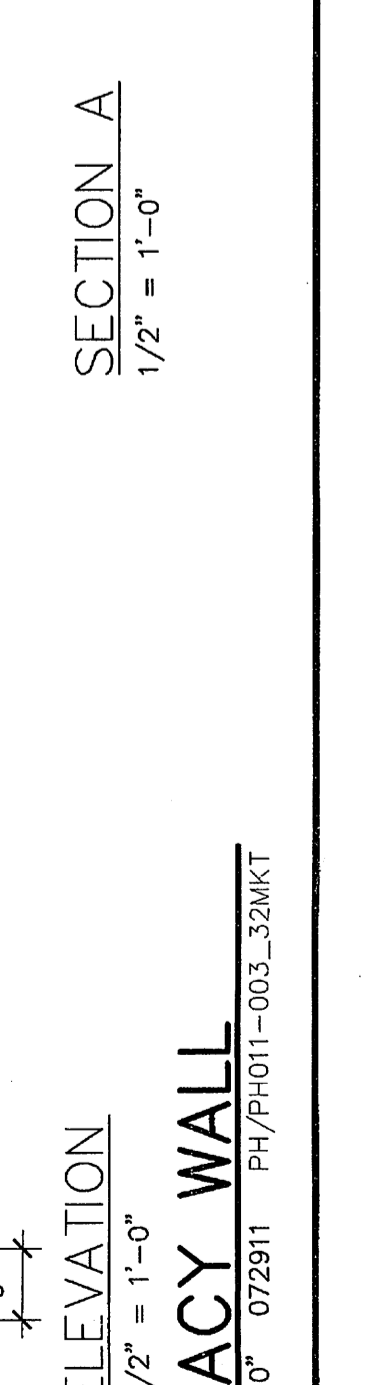
9 PHARMACY INTERIOR ELEVATION
 1/2" = 1'-0"
 PH/PH011-009_32MK1-F
 072911



10 COUNTERTOP EDGE
 6" = 1'-0"
 PH012-010
 072911



11 COUNTERTOP EDGE
 6" = 1'-0"
 PH012-011
 072911



12 COUNTERTOP EDGE
 6" = 1'-0"
 PH012-011
 072911