	MWA JOB #: 200807	TREME/LAFITTE AND TULANE GRAVIER HOME	DATE: 10/14/08
	REVISION: - -	BUILDING PLAN NEW ORLEANS, LOUISIANA	SCALE: 3" = 1'-0"
DOOR JAMB @ LAP SIDING			A550-001

ISOMETRIC DIAGRAM OF PAN THRESHOLD
PAN FLASHING

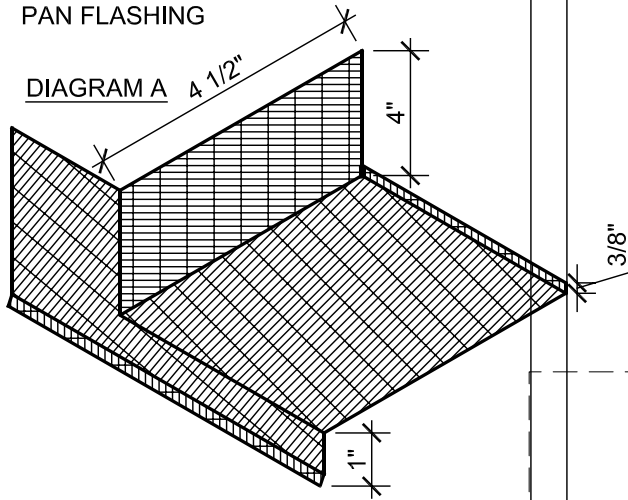
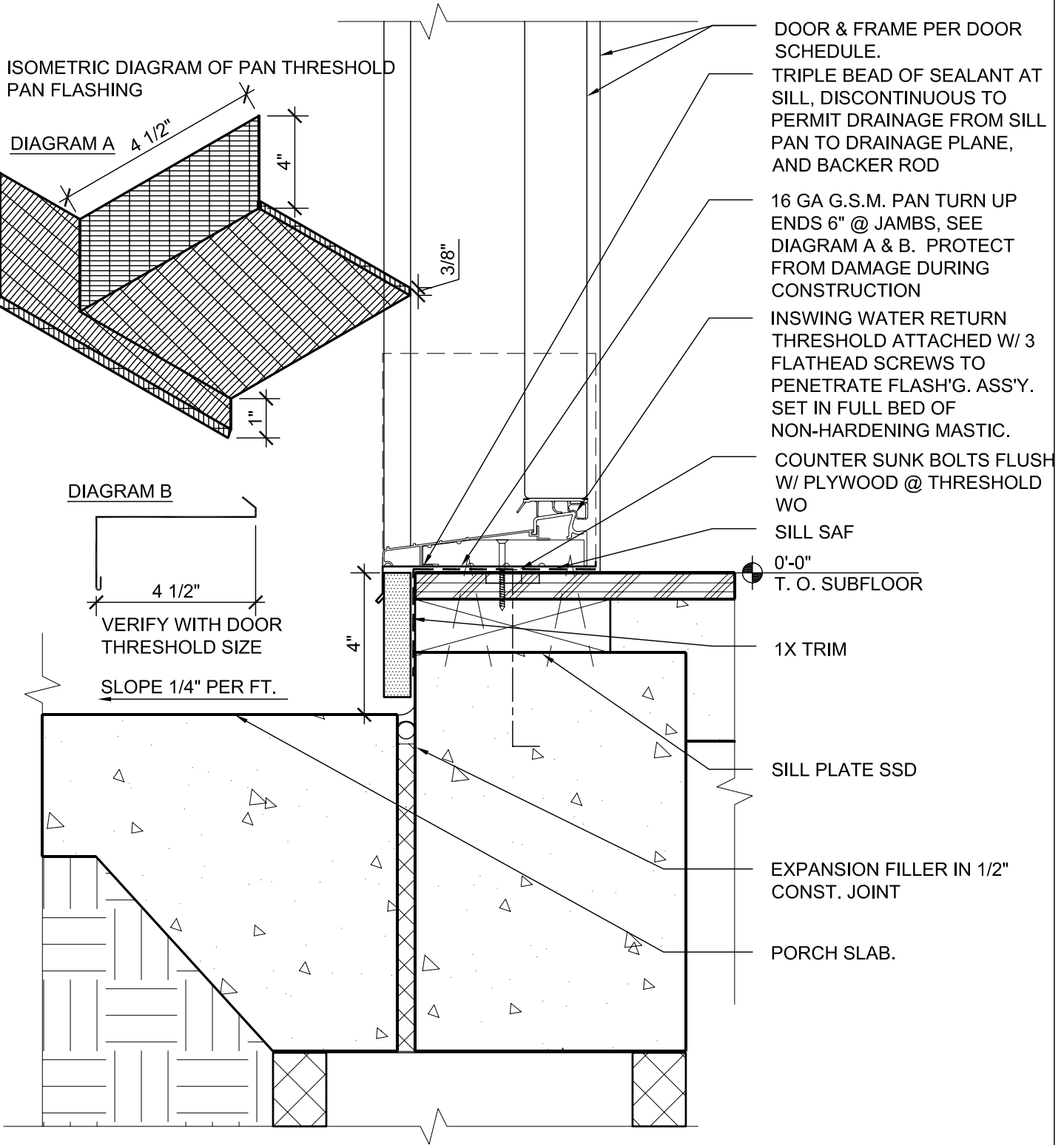
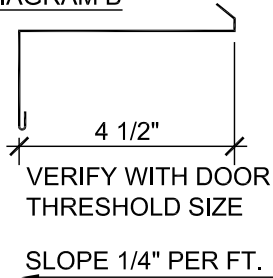


DIAGRAM A

DIAGRAM B



- DOOR & FRAME PER DOOR SCHEDULE.
- TRIPLE BEAD OF SEALANT AT SILL, DISCONTINUOUS TO PERMIT DRAINAGE FROM SILL PAN TO DRAINAGE PLANE, AND BACKER ROD
- 16 GA G.S.M. PAN TURN UP ENDS 6" @ JAMBS, SEE DIAGRAM A & B. PROTECT FROM DAMAGE DURING CONSTRUCTION
- INSWING WATER RETURN THRESHOLD ATTACHED W/ 3 FLATHEAD SCREWS TO PENETRATE FLASH'G. ASS'Y. SET IN FULL BED OF NON-HARDENING MASTIC.
- COUNTER SUNK BOLTS FLUSH W/ PLYWOOD @ THRESHOLD WO
- SILL SAF
- 0'-0" T. O. SUBFLOOR
- 1X TRIM
- SILL PLATE SSD
- EXPANSION FILLER IN 1/2" CONST. JOINT
- PORCH SLAB.



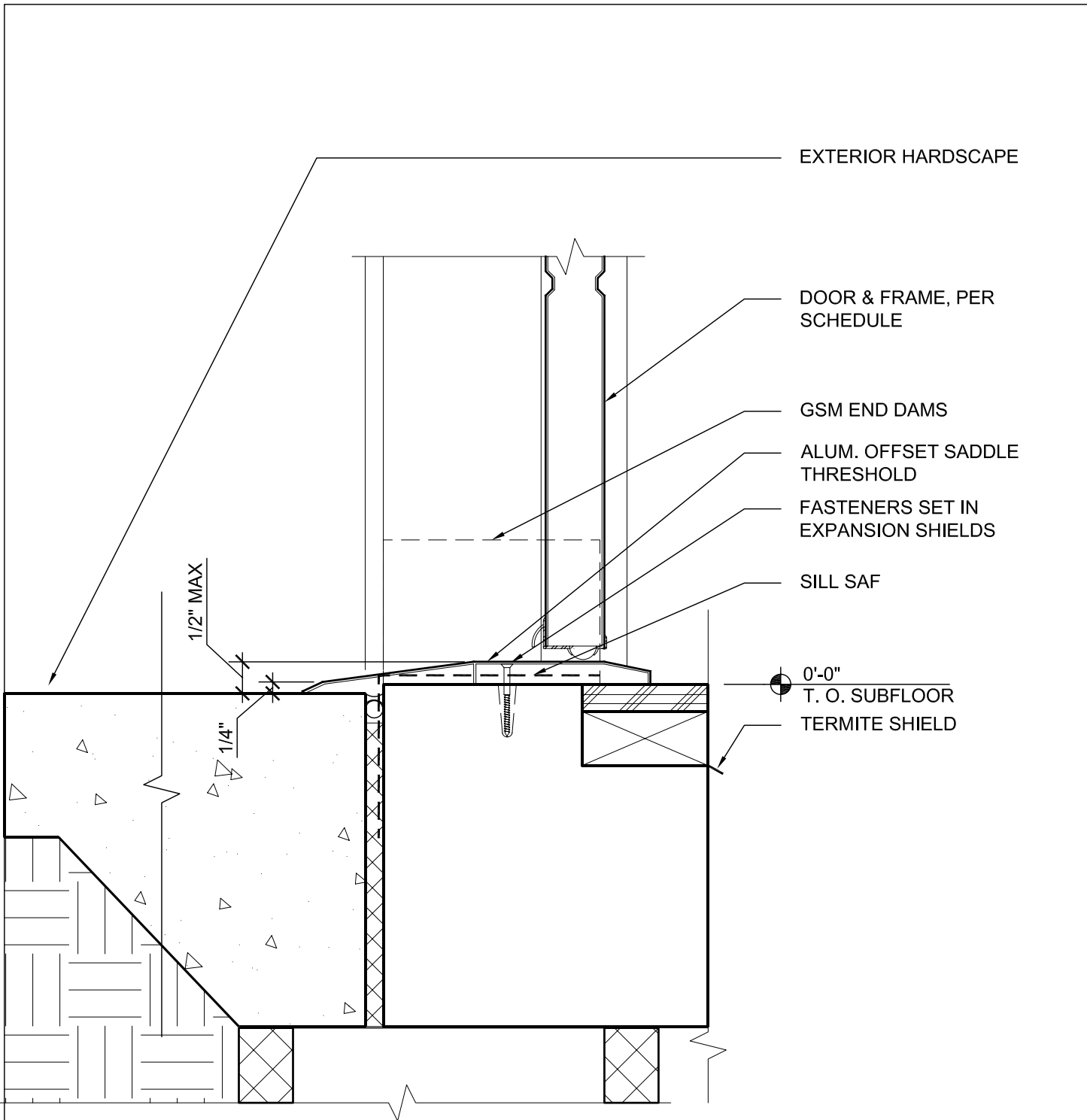
MWA JOB #: 200807
REVISION: -

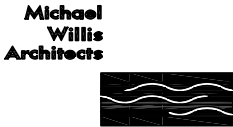
TREME/LAFITTE AND TULANE GRAVIER HOME
BUILDING PLAN
NEW ORLEANS, LOUISIANA

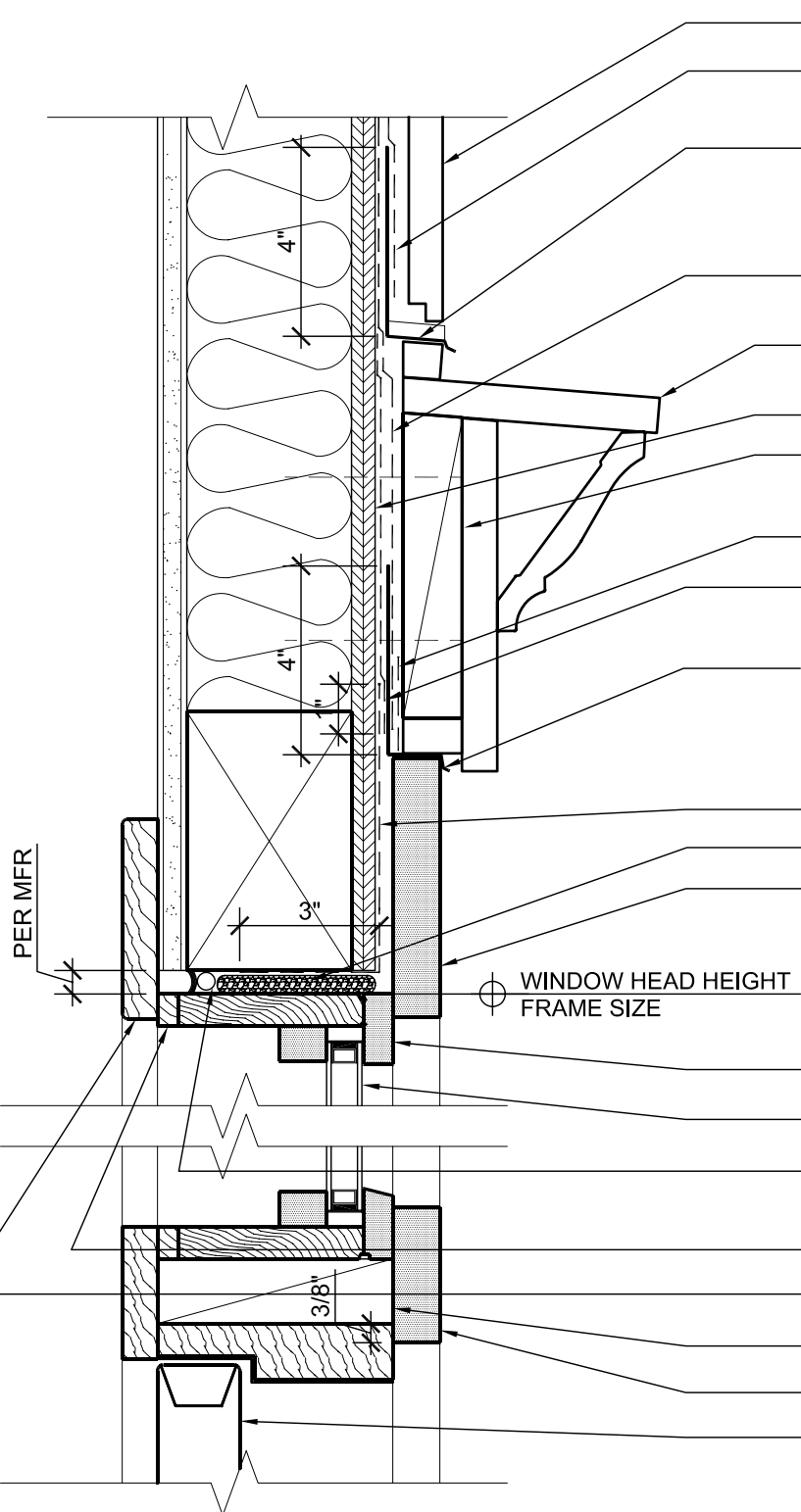
DATE: 10/14/08
SCALE: 3" = 1'-0"

EXTERIOR THRESHOLD TYP.

A550-002




	MWA JOB #: 200807	TREME/LAFITTE AND TULANE GRAVIER HOME	DATE: 10/14/08
	REVISION: -	BUILDING PLAN NEW ORLEANS, LOUISIANA	SCALE: 3" = 1'-0"
EXTERIOR THRESHOLD ACCESSIBLE			A550-003

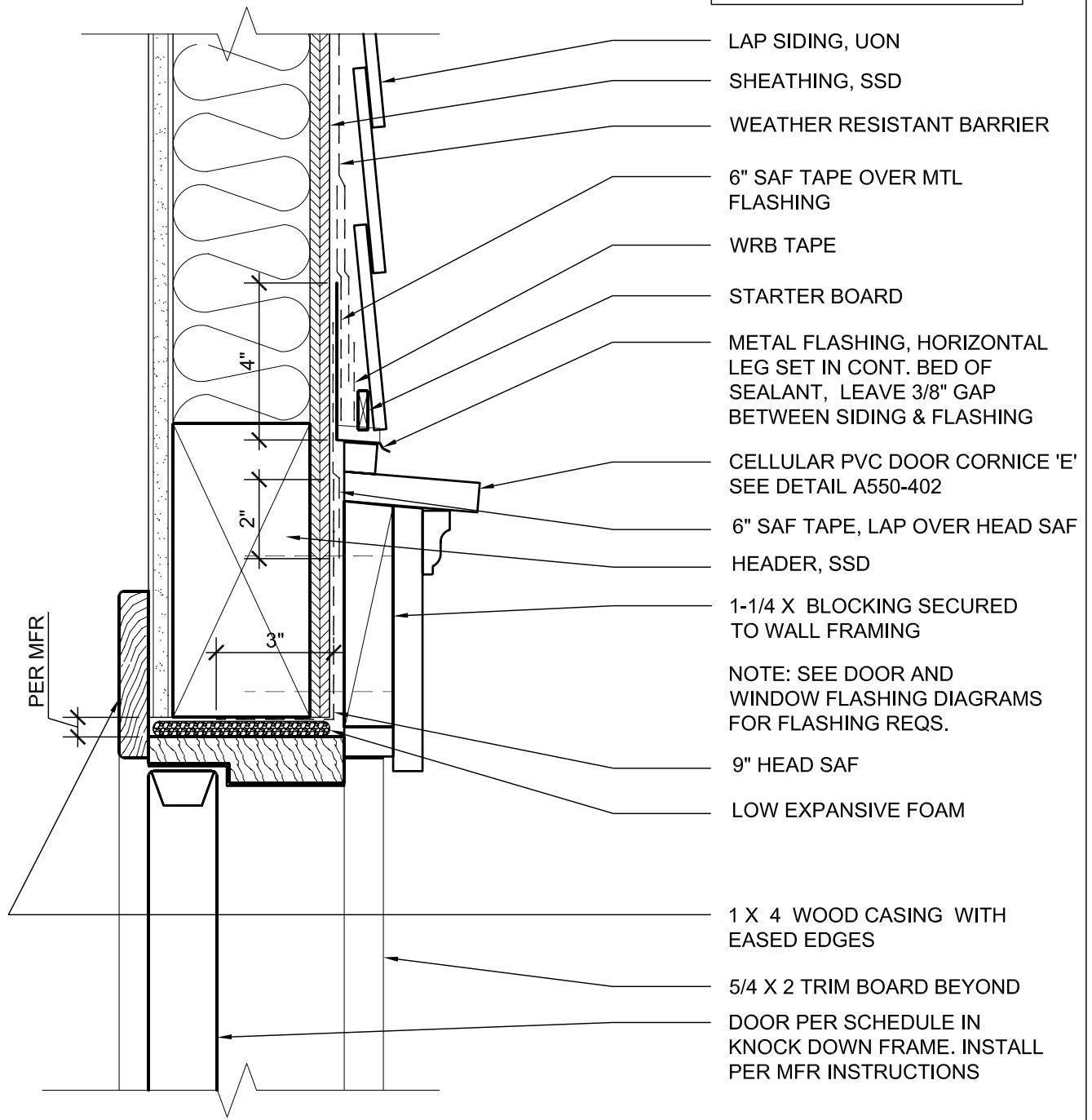


- LAP DROP SIDING
- 4" SAF TAPE OVER METAL FLASHING & WRB
- METAL FLASHING, HORIZONTAL LEG SET IN CONT. BED OF SEALANT, LEAVE 3/8" GAP BETWEEN SIDING & FLASHING
- WEATHER RESISTANT BARRIER OVER METAL FLASHING & SAF
- CELLULAR PVC CORNICE 'A' SEE DETAIL A540-501
- SHEATHING, SSD
- 1-1/4 X BLOCKING SECURED TO WALL FRAMING
- WRB TAPE
- 9" SAF APPLIED TO SHEATHING WITH 1" LAP OVER HEAD SAF
- METAL FLASHING OVER WINDOW TRIM, HORIZONTAL LEG SET IN CONT BED OF SEALANT, COVER EXPOSED EDGE W/ CORNICE LIP
- 9" HEAD SAF
- LOW EXPANSIVE FOAM
- 5/4 X TRIM BOARD, TYP UON
5/4 X 8 AT BUILDING C2
- NOTE: SEE DOOR AND WINDOW FLASHING DIAGRAMS FOR FLASHING REQS.
- TRANSOM WINDOW, PER SCHED.
- INSULATED GLASS, SEE SPECS
- WINDOW PERIMETER SEALED W/ SEALANT AND BACKER ROD
- JAMB EXTENSION WHERE REQ.
- 1 X 4 CASING WITH EASED EDGE
- BLOCKING AS REQUIRED
- 5/4 X TRIM BOARD
- DOOR PER SCHEDULE, INSTALL PER MFR INSTRUCTIONS


NOTE, DETAIL OCCURS AT:
A1-01,A2,C1,C1',C2, C2'
D2' (SIDING),F1

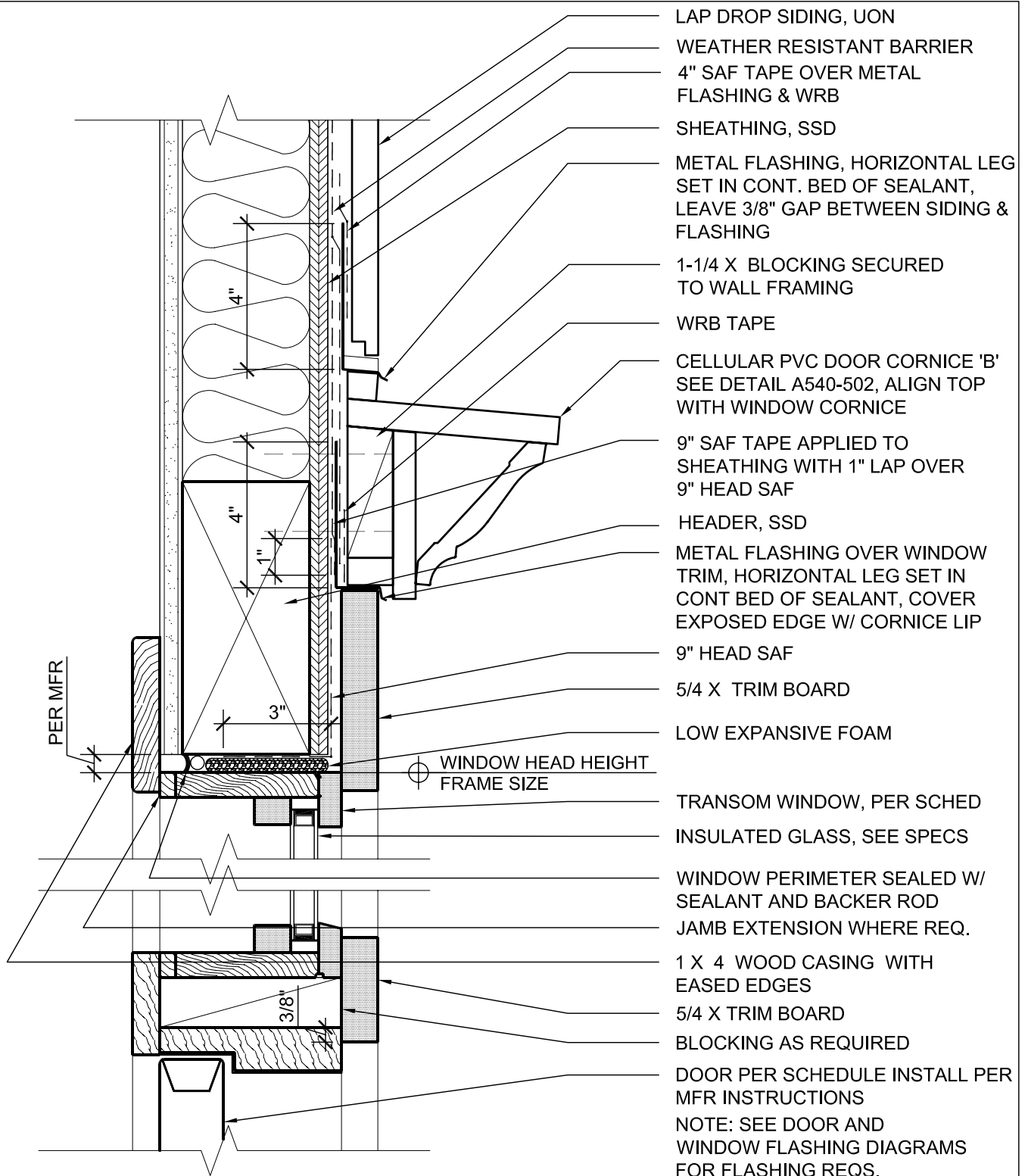
	MWA JOB #: 200807	TREME/LAFITTE AND TULANE GRAVIER HOME BUILDING PLAN NEW ORLEANS, LOUISIANA	DATE: 10/14/08
	REVISION: -		SCALE: 3" = 1'-0"
DOOR HEAD A @ FRONT ELEV			A550-004

NOTE, DETAIL OCCURS AT:
AT ALL SIDE & REAR
ENTRIES WITH LAP SIDING
UON



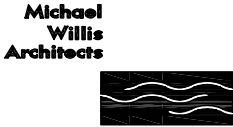
- LAP SIDING, UON
- SHEATHING, SSD
- WEATHER RESISTANT BARRIER
- 6" SAF TAPE OVER MTL FLASHING
- WRB TAPE
- STARTER BOARD
- METAL FLASHING, HORIZONTAL LEG SET IN CONT. BED OF SEALANT, LEAVE 3/8" GAP BETWEEN SIDING & FLASHING
- CELLULAR PVC DOOR CORNICE 'E' SEE DETAIL A550-402
- 6" SAF TAPE, LAP OVER HEAD SAF
- HEADER, SSD
- 1-1/4 X BLOCKING SECURED TO WALL FRAMING
- NOTE: SEE DOOR AND WINDOW FLASHING DIAGRAMS FOR FLASHING REQS.
- 9" HEAD SAF
- LOW EXPANSIVE FOAM
- 1 X 4 WOOD CASING WITH EASED EDGES
- 5/4 X 2 TRIM BOARD BEYOND
- DOOR PER SCHEDULE IN KNOCK DOWN FRAME. INSTALL PER MFR INSTRUCTIONS

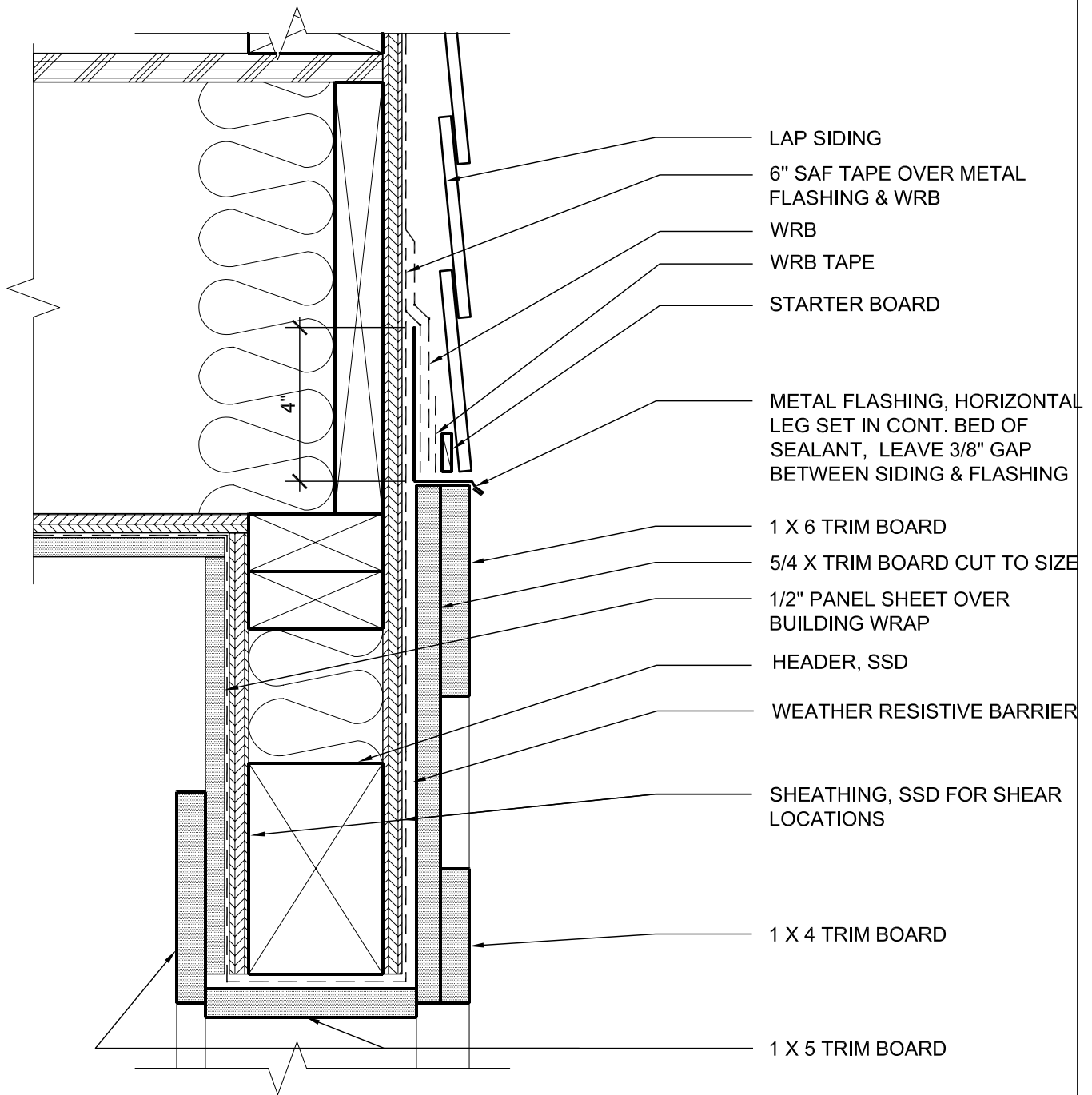
	MWA JOB #: 200807	TREME/LAFITTE AND TULANE GRAVIER HOME	DATE: 10/14/08
	REVISION: -	BUILDING PLAN NEW ORLEANS, LOUISIANA	SCALE: 3" = 1'-0"
TYP. DOOR HEAD @ SIDE & REAR ENTRY @ LAP SIDING			A550-005



- LAP DROP SIDING, UON
- WEATHER RESISTANT BARRIER
- 4" SAF TAPE OVER METAL FLASHING & WRB
- SHEATHING, SSD
- METAL FLASHING, HORIZONTAL LEG SET IN CONT. BED OF SEALANT, LEAVE 3/8" GAP BETWEEN SIDING & FLASHING
- 1-1/4 X BLOCKING SECURED TO WALL FRAMING
- WRB TAPE
- CELLULAR PVC DOOR CORNICE 'B' SEE DETAIL A540-502, ALIGN TOP WITH WINDOW CORNICE
- 9" SAF TAPE APPLIED TO SHEATHING WITH 1" LAP OVER 9" HEAD SAF
- HEADER, SSD
- METAL FLASHING OVER WINDOW TRIM, HORIZONTAL LEG SET IN CONT BED OF SEALANT, COVER EXPOSED EDGE W/ CORNICE LIP
- 9" HEAD SAF
- 5/4 X TRIM BOARD
- LOW EXPANSIVE FOAM
- TRANSOM WINDOW, PER SCHED INSULATED GLASS, SEE SPECS
- WINDOW PERIMETER SEALED W/ SEALANT AND BACKER ROD JAMB EXTENSION WHERE REQ.
- 1 X 4 WOOD CASING WITH EASED EDGES
- 5/4 X TRIM BOARD
- BLOCKING AS REQUIRED
- DOOR PER SCHEDULE INSTALL PER MFR INSTRUCTIONS

NOTE, DETAIL OCCURS AT:
A1-02, B1,

	MWA JOB #: 200807	TREME/LAFITTE AND TULANE GRAVIER HOME	DATE: 10/14/08
	REVISION: -	BUILDING PLAN NEW ORLEANS, LOUISIANA	SCALE: 3"=1'-0"
DOOR HEAD B @ FRONT ELEV			A550-006



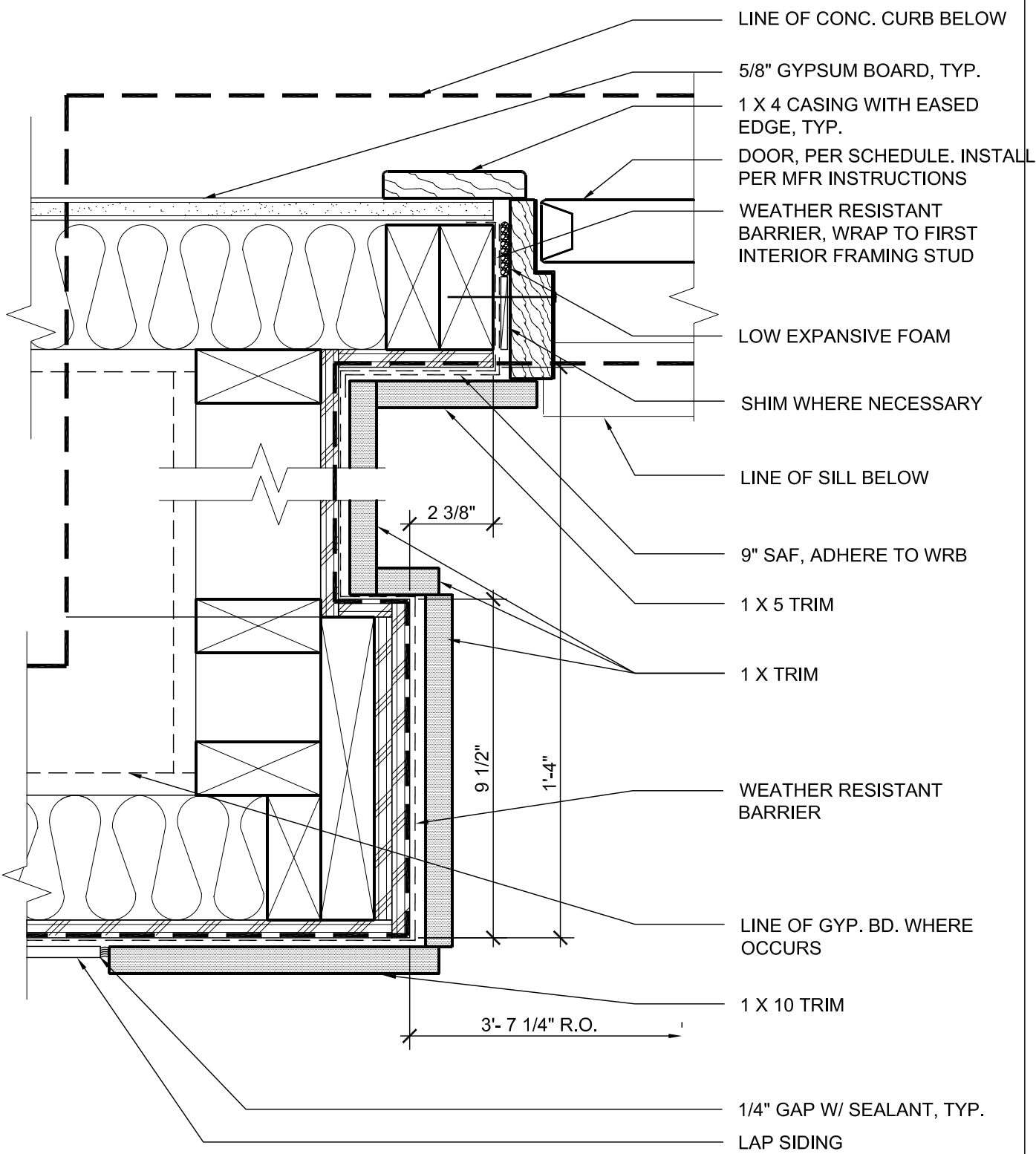
MWA JOB #: 200807
 REVISION: - -

TREME/LAFITTE AND TULANE GRAVIER HOME
 BUILDING PLAN
 NEW ORLEANS, LOUISIANA

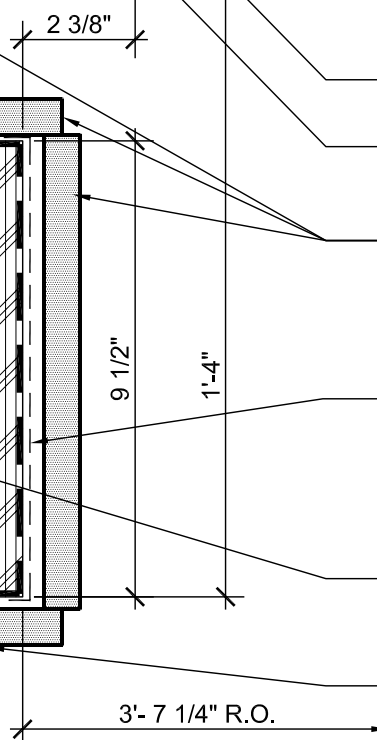
DATE: 10/14/08
 SCALE: 3" = 1'-0"


HEAD @ E1 ENTRY ALCOVE

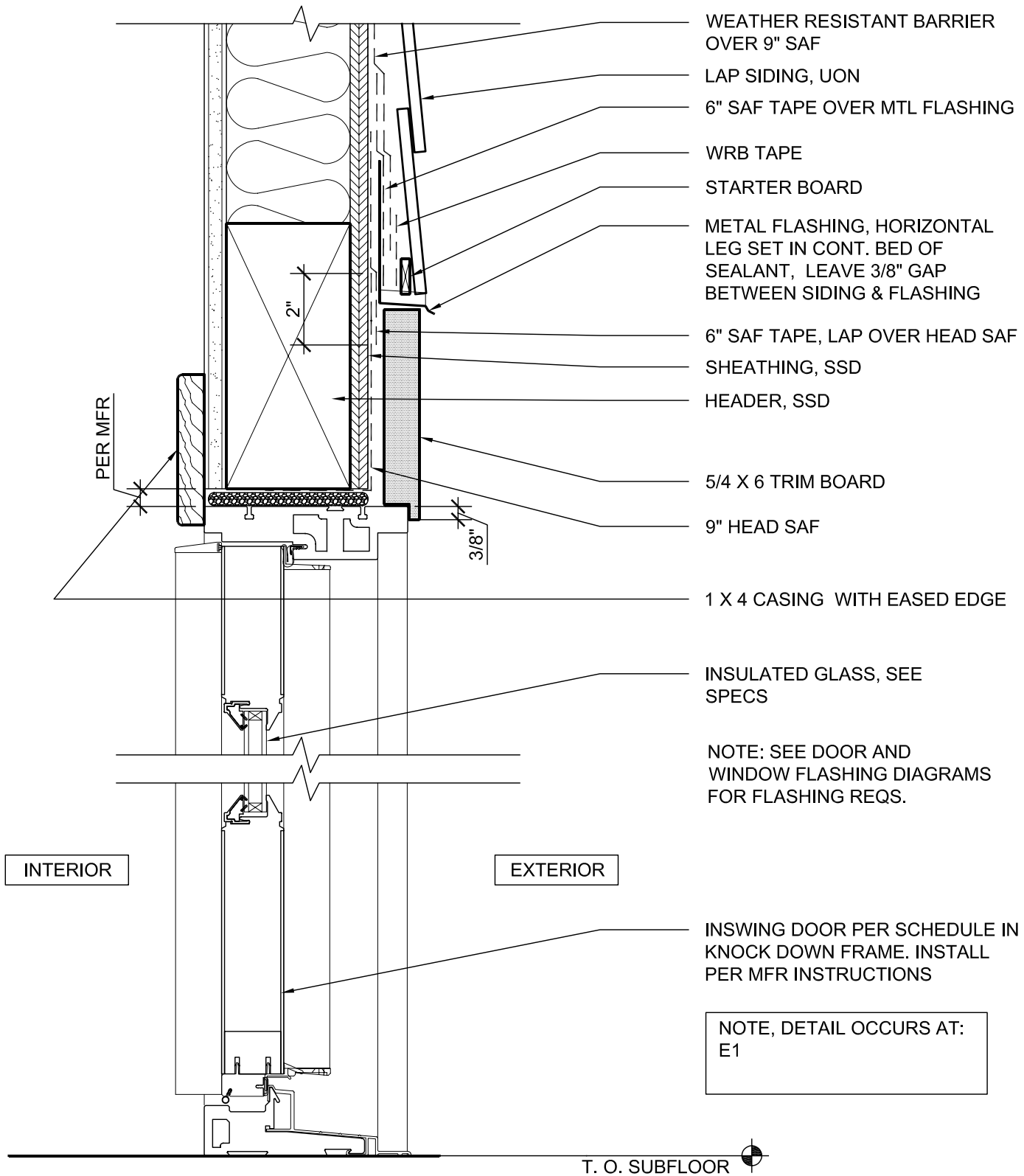
A550-007



- LINE OF CONC. CURB BELOW
- 5/8" GYPSUM BOARD, TYP.
- 1 X 4 CASING WITH EASED EDGE, TYP.
- DOOR, PER SCHEDULE. INSTALL PER MFR INSTRUCTIONS
- WEATHER RESISTANT BARRIER, WRAP TO FIRST INTERIOR FRAMING STUD
- LOW EXPANSIVE FOAM
- SHIM WHERE NECESSARY
- LINE OF SILL BELOW
- 9" SAF, ADHERE TO WRB
- 1 X 5 TRIM
- 1 X TRIM
- WEATHER RESISTANT BARRIER
- LINE OF GYP. BD. WHERE OCCURS
- 1 X 10 TRIM
- 1/4" GAP W/ SEALANT, TYP.
- LAP SIDING



	MWA JOB #: 200807	TREME/LAFITTE AND TULANE GRAVIER HOME	DATE: 10/14/08
	REVISION: - -	BUILDING PLAN NEW ORLEANS, LOUISIANA	SCALE: 3" = 1'-0"
DOOR JAMB @ E1 ENTRY			A550-008



- WEATHER RESISTANT BARRIER OVER 9" SAF
- LAP SIDING, UON
- 6" SAF TAPE OVER MTL FLASHING
- WRB TAPE
- STARTER BOARD
- METAL FLASHING, HORIZONTAL LEG SET IN CONT. BED OF SEALANT, LEAVE 3/8" GAP BETWEEN SIDING & FLASHING
- 6" SAF TAPE, LAP OVER HEAD SAF
- SHEATHING, SSD
- HEADER, SSD
- 5/4 X 6 TRIM BOARD
- 9" HEAD SAF
- 1 X 4 CASING WITH EASED EDGE

INSULATED GLASS, SEE SPECS

NOTE: SEE DOOR AND WINDOW FLASHING DIAGRAMS FOR FLASHING REQ'S.


INTERIOR

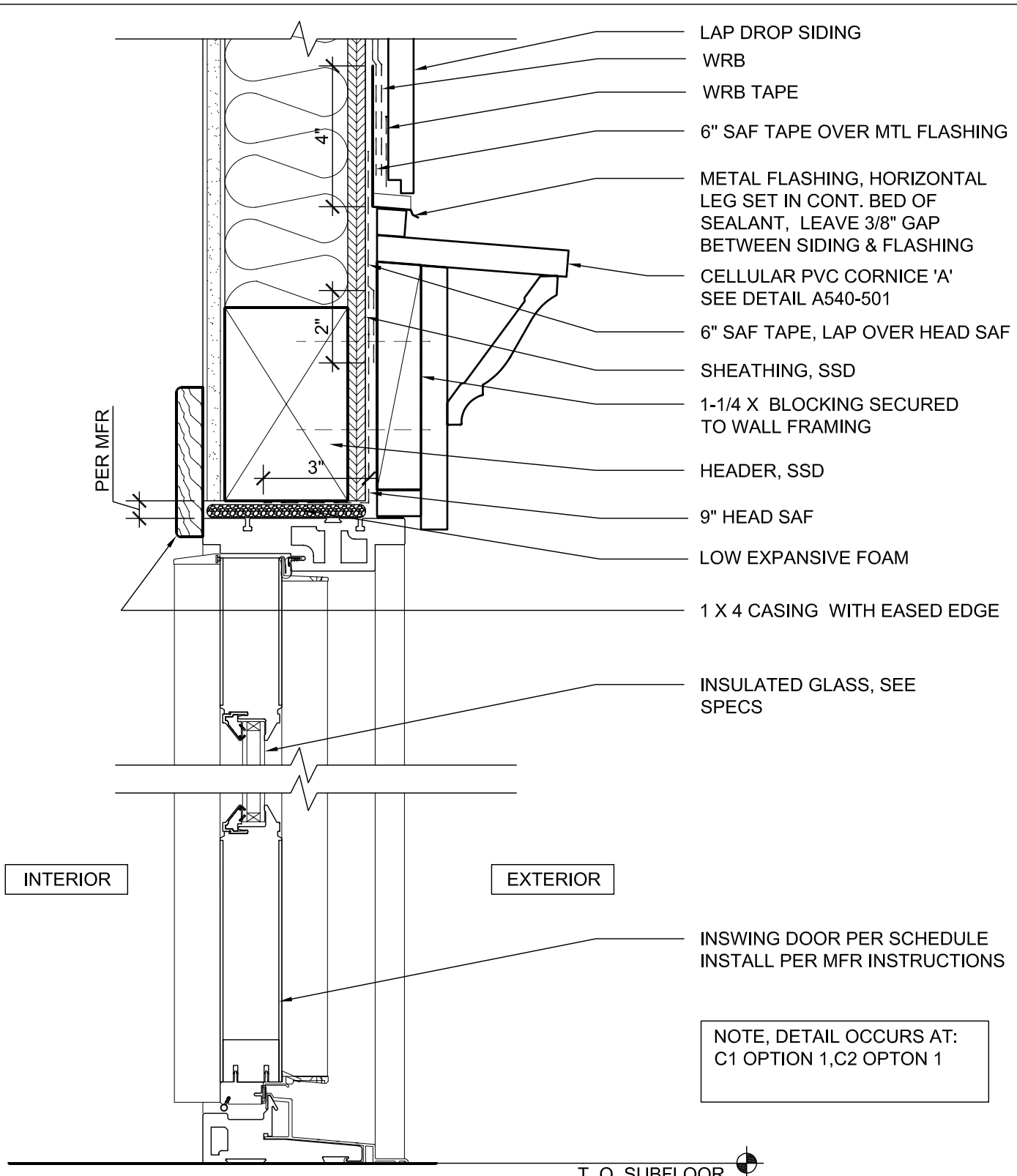
EXTERIOR

INSWING DOOR PER SCHEDULE IN KNOCK DOWN FRAME. INSTALL PER MFR INSTRUCTIONS

NOTE, DETAIL OCCURS AT:
E1

T. O. SUBFLOOR

	MWA JOB #: 200807	TREME/LAFITTE AND TULANE GRAVIER HOME BUILDING PLAN NEW ORLEANS, LOUISIANA	DATE: 10/14/08
	REVISION: -		SCALE: 3' = 1'-0"
		FRENCH DOOR THRESHOLD&HEAD @ LAP SIDING	A550-009



- LAP DROP SIDING
- WRB
- WRB TAPE
- 6" SAF TAPE OVER MTL FLASHING
- METAL FLASHING, HORIZONTAL LEG SET IN CONT. BED OF SEALANT, LEAVE 3/8" GAP BETWEEN SIDING & FLASHING
- CELLULAR PVC CORNICE 'A' SEE DETAIL A540-501
- 6" SAF TAPE, LAP OVER HEAD SAF
- SHEATHING, SSD
- 1-1/4 X BLOCKING SECURED TO WALL FRAMING
- HEADER, SSD
- 9" HEAD SAF
- LOW EXPANSIVE FOAM
- 1 X 4 CASING WITH EASED EDGE
- INSULATED GLASS, SEE SPECS


INTERIOR

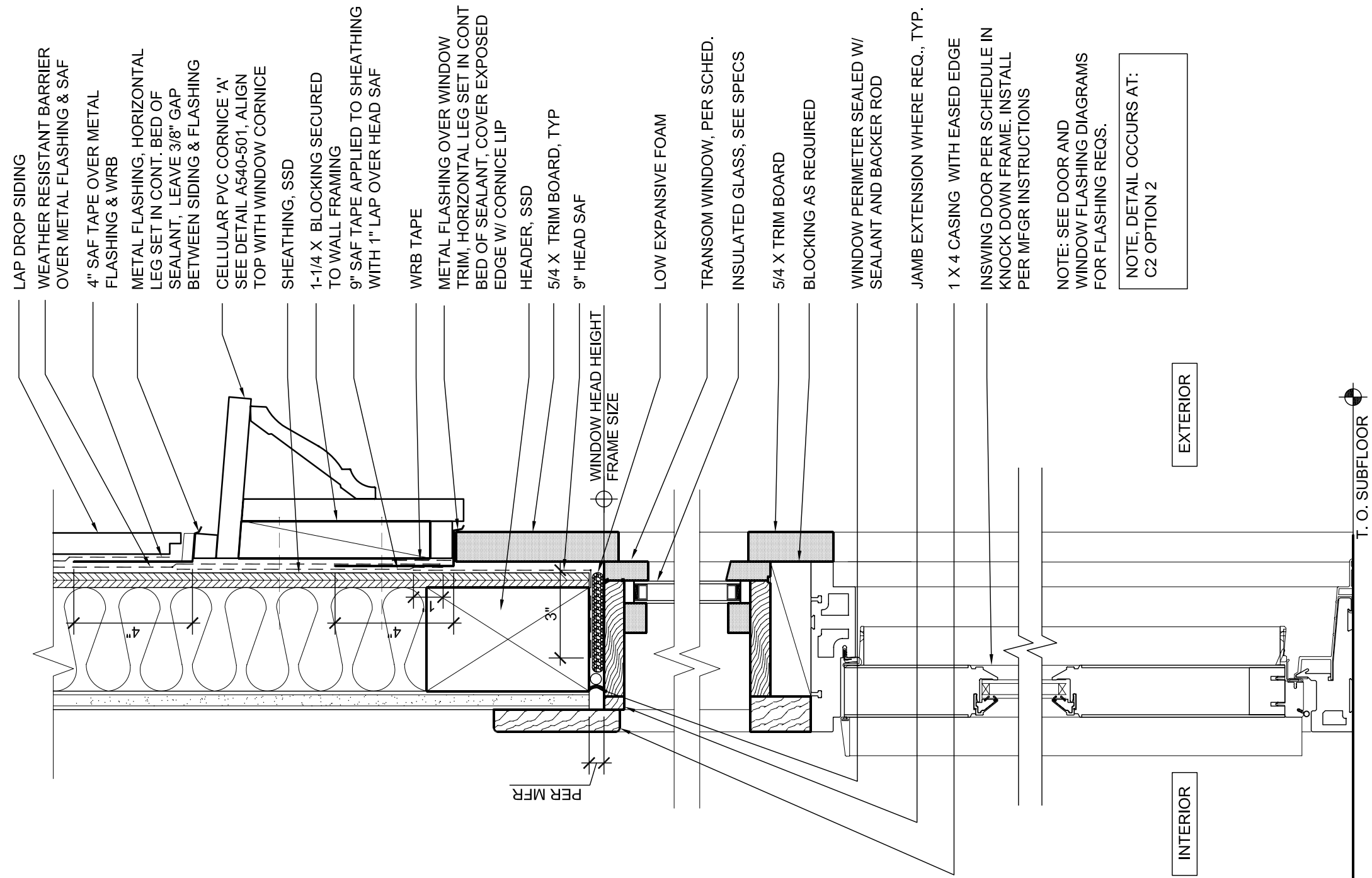
EXTERIOR

INSWING DOOR PER SCHEDULE
INSTALL PER MFR INSTRUCTIONS

NOTE, DETAIL OCCURS AT:
C1 OPTION 1, C2 OPTON 1

T. O. SUBFLOOR

	MWA JOB #: 200807	TREME/LAFITTE AND TULANE GRAVIER HOME	DATE: 10/14/08
	REVISION: -	BUILDING PLAN NEW ORLEANS, LOUISIANA	SCALE: 3" = 1'-0"
THRESHOLD&HEAD @ FRENCH DOORS @ LAP DROP SIDING			A550-010



- LAP DROP SIDING
- WEATHER RESISTANT BARRIER OVER METAL FLASHING & SAF
- 4" SAF TAPE OVER METAL FLASHING & WRB
- METAL FLASHING, HORIZONTAL LEG SET IN CONT. BED OF SEALANT, LEAVE 3/8" GAP BETWEEN SIDING & FLASHING
- CELLULAR PVC CORNICE 'A' SEE DETAIL A540-501, ALIGN TOP WITH WINDOW CORNICE
- SHEATHING, SSD
- 1-1/4 X BLOCKING SECURED TO WALL FRAMING
- 9" SAF TAPE APPLIED TO SHEATHING WITH 1" LAP OVER HEAD SAF
- WRB TAPE
- METAL FLASHING OVER WINDOW TRIM, HORIZONTAL LEG SET IN CONT BED OF SEALANT, COVER EXPOSED EDGE W/ CORNICE LIP
- HEADER, SSD
- 5/4 X TRIM BOARD, TYP
- 9" HEAD SAF
- LOW EXPANSIVE FOAM
- TRANSOM WINDOW, PER SCHED.
- INSULATED GLASS, SEE SPECS
- 5/4 X TRIM BOARD
- BLOCKING AS REQUIRED
- WINDOW PERIMETER SEALED W/ SEALANT AND BACKER ROD
- JAMB EXTENSION WHERE REQ., TYP.
- 1 X 4 CASING WITH EASED EDGE
- INSWING DOOR PER SCHEDULE IN KNOCK DOWN FRAME. INSTALL PER MFR INSTRUCTIONS

NOTE: SEE DOOR AND WINDOW FLASHING DIAGRAMS FOR FLASHING REQ'S.

NOTE: DETAIL OCCURS AT:
C2 OPTION 2



MWA JOB #: 200807
REVISION

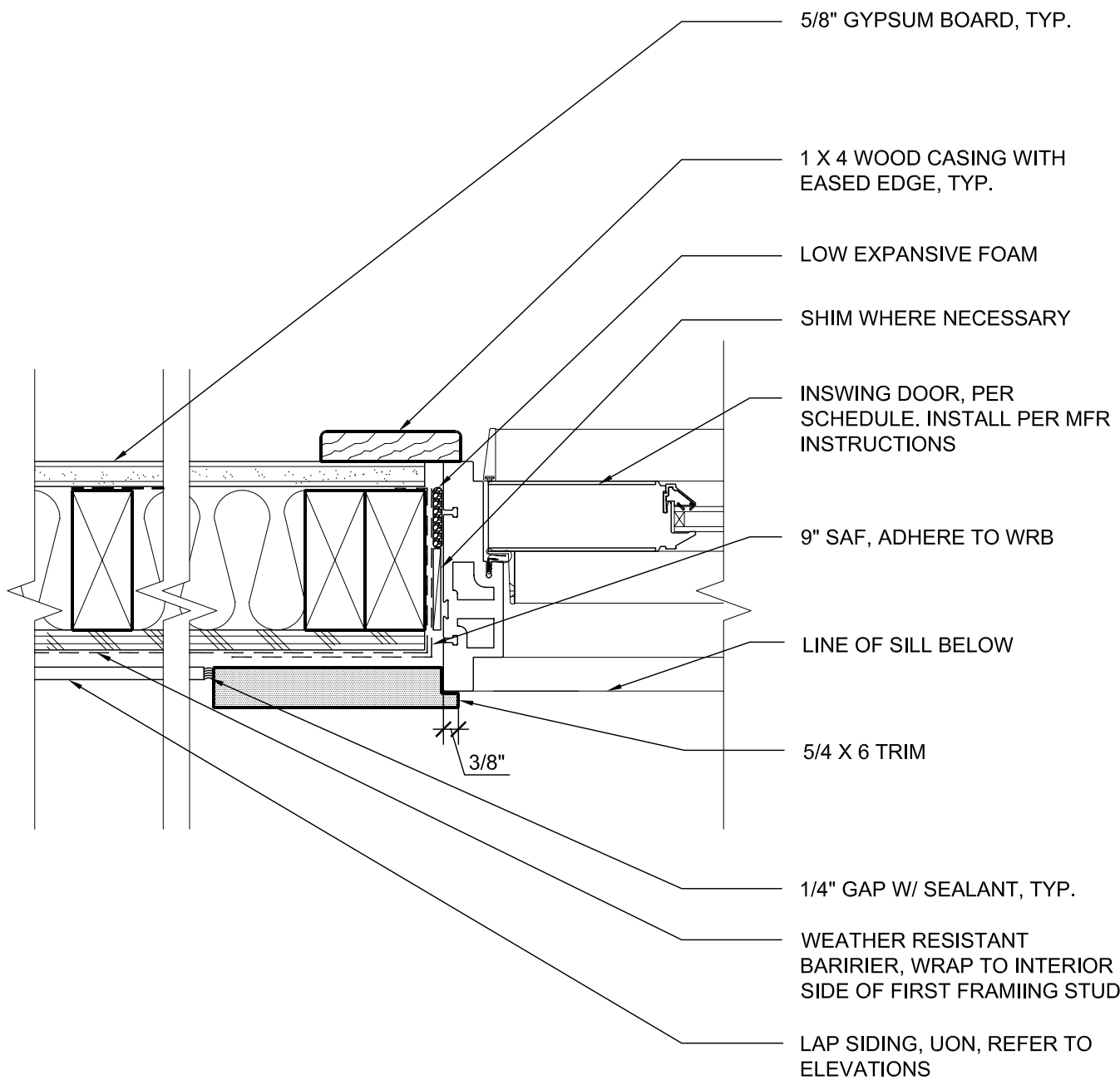
TREME/LAFITTE AND TULANE GRAVIER HOME BUILDING PLAN

NEW ORLEANS, LOUISIANA

DOOR THRESHOLD&HEAD @
FRENCH DOOR @ C2' OPT. 2

DATE: 10/14/08
SCALE: 3" = 1'-0"

A550-011



MWA JOB #: 200807
 REVISION: -

TREME/LAFITTE AND TULANE GRAVIER HOME
 BUILDING PLAN
 NEW ORLEANS, LOUISIANA
 DOOR JAMB @ FRENCH DOOR @
 LAP SIDING

DATE: 10/14/08
 SCALE: 3" = 1'-0"
 A550-012

**Michael
Willis
Architects**



MWA JOB #: 200807

REVISION:
- -

TREME/LAFITTE AND TULANE GRAVIER HOME
BUILDING PLAN
NEW ORLEANS, LOUISIANA

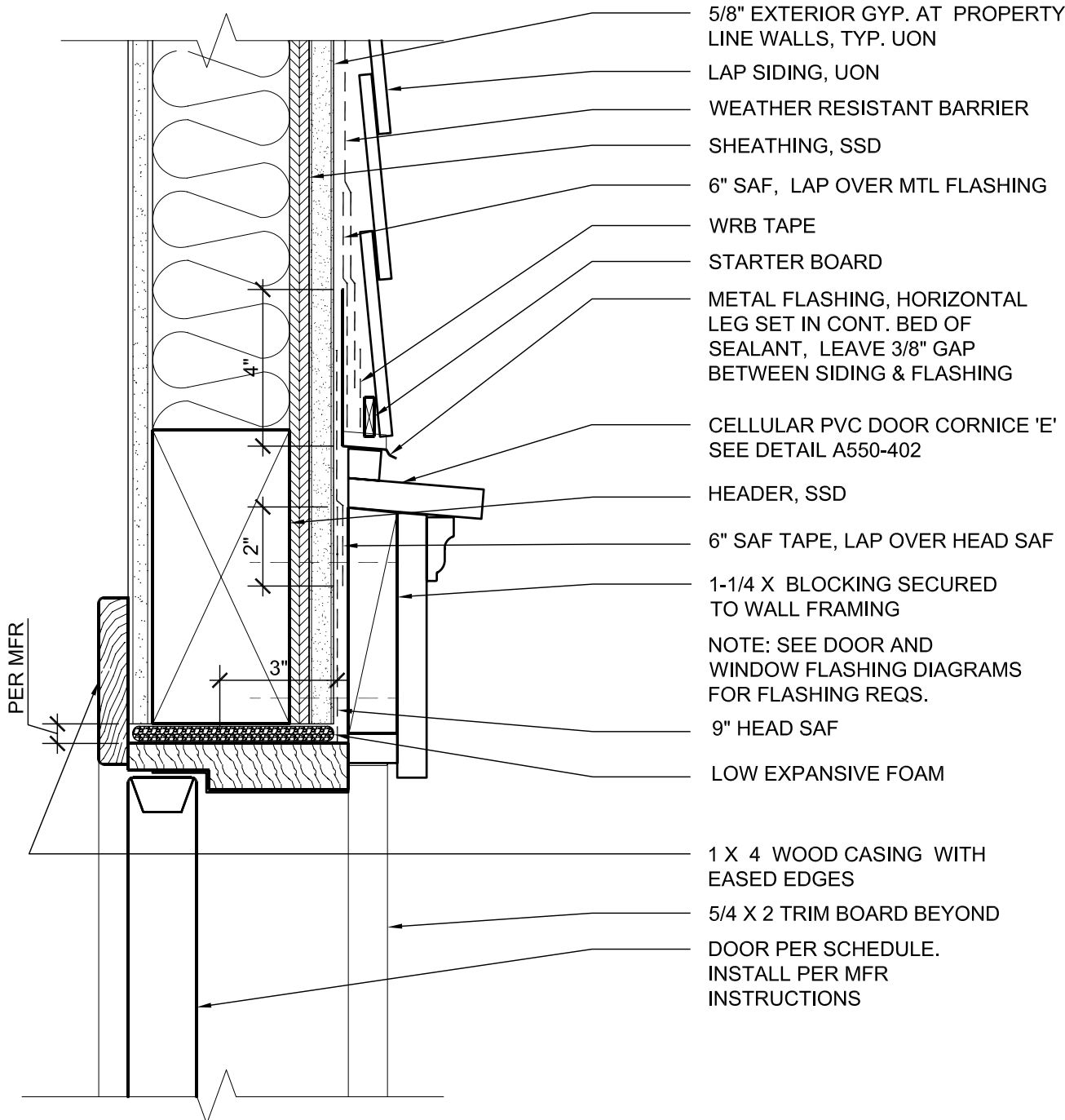
EXTERIOR THRESHOLD @
STORAGE

DATE: 10/14/08


SCALE: ViewportScale

A550-013

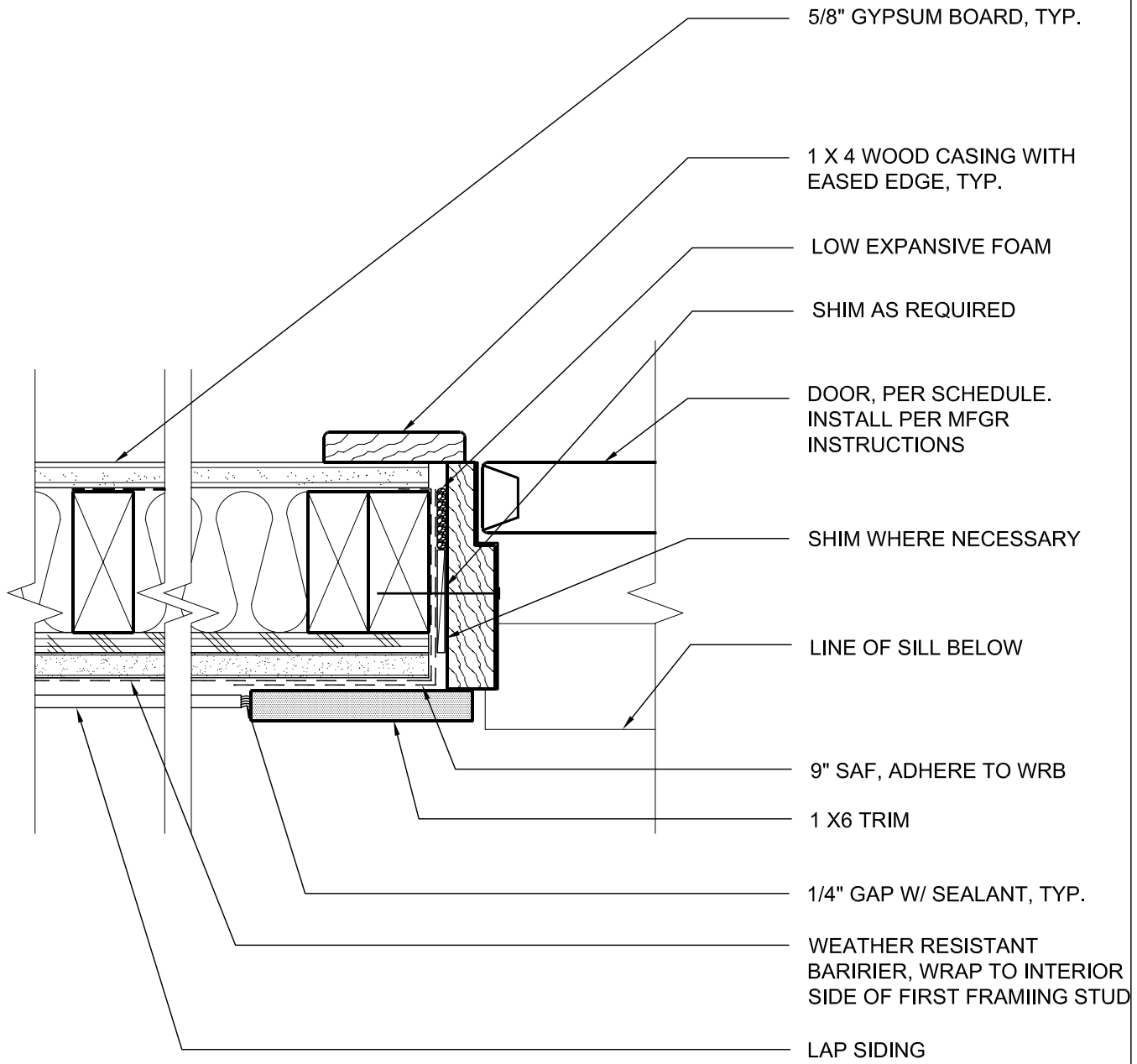
NOTE, DETAIL OCCURS AT:
 AT ALL SIDE & REAR
 ENTRIES WITH 1-HR LAP
 SIDING UON

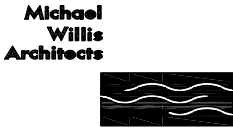


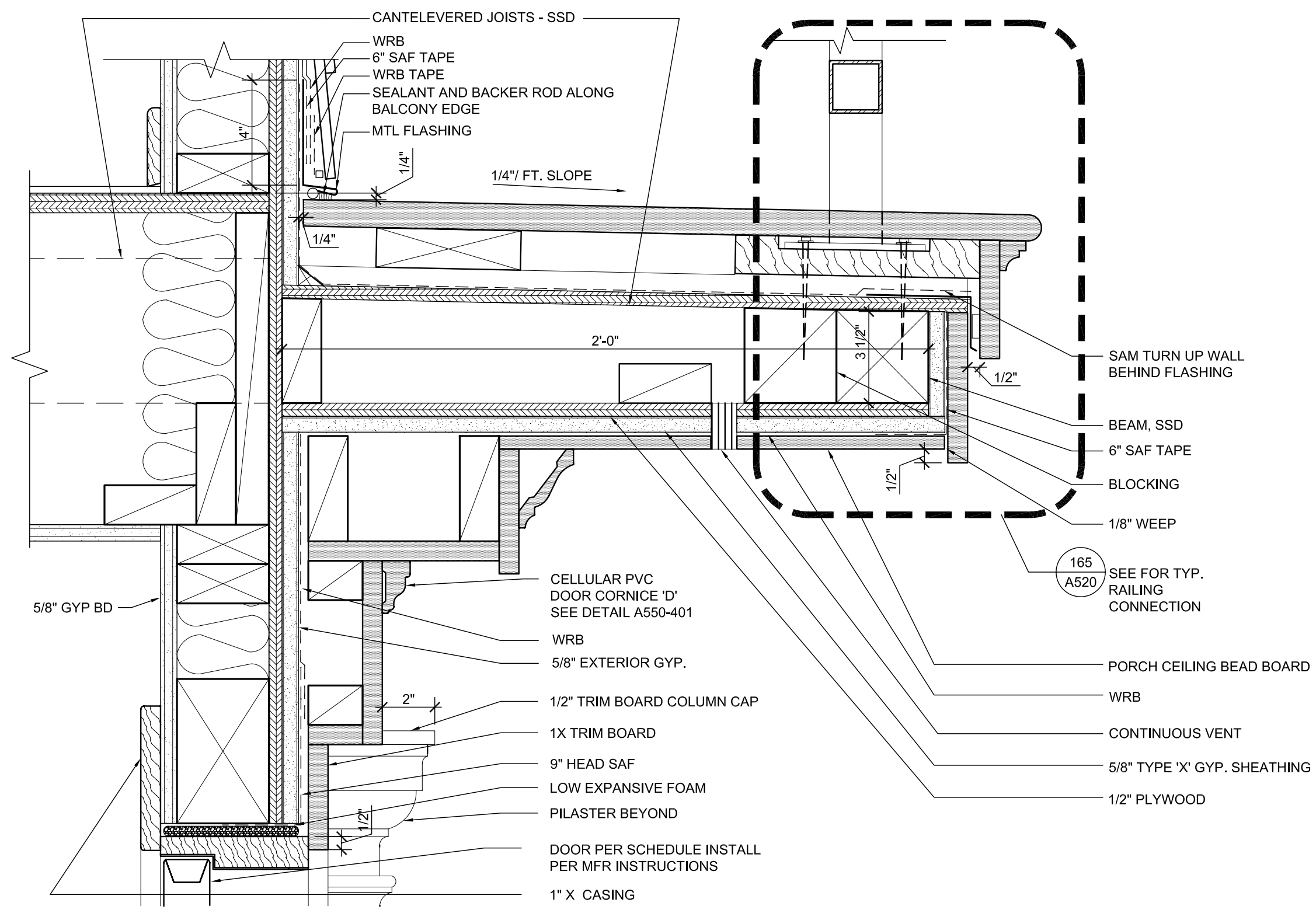
- 5/8" EXTERIOR GYP. AT PROPERTY LINE WALLS, TYP. UON
- LAP SIDING, UON
- WEATHER RESISTANT BARRIER
- SHEATHING, SSD
- 6" SAF, LAP OVER MTL FLASHING
- WRB TAPE
- STARTER BOARD
- METAL FLASHING, HORIZONTAL LEG SET IN CONT. BED OF SEALANT, LEAVE 3/8" GAP BETWEEN SIDING & FLASHING
- CELLULAR PVC DOOR CORNICE 'E' SEE DETAIL A550-402
- HEADER, SSD
- 6" SAF TAPE, LAP OVER HEAD SAF
- 1-1/4 X BLOCKING SECURED TO WALL FRAMING
- NOTE: SEE DOOR AND WINDOW FLASHING DIAGRAMS FOR FLASHING REQ.
- 9" HEAD SAF
- LOW EXPANSIVE FOAM
- 1 X 4 WOOD CASING WITH EASED EDGES
- 5/4 X 2 TRIM BOARD BEYOND
- DOOR PER SCHEDULE. INSTALL PER MFR INSTRUCTIONS

	MWA JOB #: 200807	TREME/LAFITTE AND TULANE GRAVIER HOME	DATE: 10/14/08
	REVISION: -	BUILDING PLAN NEW ORLEANS, LOUISIANA	SCALE: 3" = 1'-0"
TYP. DR HD @ SIDE ENTRY @ 1 HR LAP SIDING			A550-101

NOTE, DETAIL OCCURS AT:
AT ALL DOOR JAMBS UON



	MWA JOB #: 200807	TREME/LAFITTE AND TULANE GRAVIER HOME	DATE: 10/14/08
	REVISION: - -	BUILDING PLAN NEW ORLEANS, LOUISIANA	SCALE: 3" = 1'-0"
TYP. DR JAMB @ 1HR LAP SIDING			A550-102



CANTEVERED JOISTS - SSD
 WRB
 6" SAF TAPE
 WRB TAPE
 SEALANT AND BACKER ROD ALONG BALCONY EDGE
 MTL FLASHING

1/4" / FT. SLOPE

SAM TURN UP WALL BEHIND FLASHING
 BEAM, SSD
 6" SAF TAPE
 BLOCKING
 1/8" WEEP

165
 A520
 SEE FOR TYP. RAILING CONNECTION

5/8" GYP BD

CELLULAR PVC DOOR CORNICE 'D' SEE DETAIL A550-401

WRB
 5/8" EXTERIOR GYP.

PORCH CEILING BEAD BOARD
 WRB
 CONTINUOUS VENT
 5/8" TYPE 'X' GYP. SHEATHING
 1/2" PLYWOOD

1/2" TRIM BOARD COLUMN CAP
 1X TRIM BOARD
 9" HEAD SAF
 LOW EXPANSIVE FOAM
 PILASTER BEYOND

DOOR PER SCHEDULE INSTALL PER MFR INSTRUCTIONS
 1" X CASING



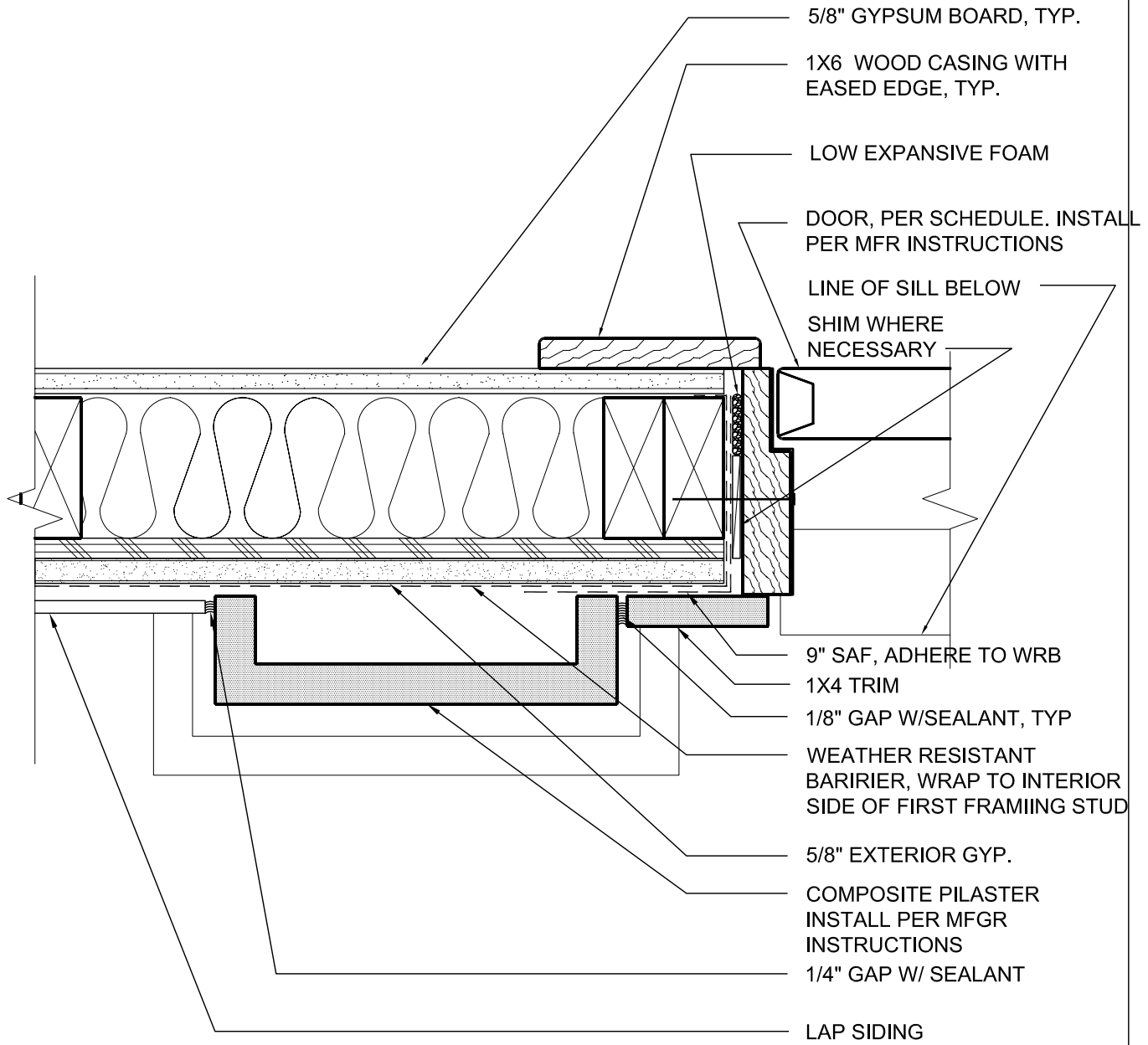
MWA JOB #: 200807
REVISION

TREME/LAFITTE AND TULANE GRAVIER HOME
 BUILDING PLAN
 NEW ORLEANS, LOUISIANA

DATE: 10/14/08
 SCALE: 3" = 1'-0"

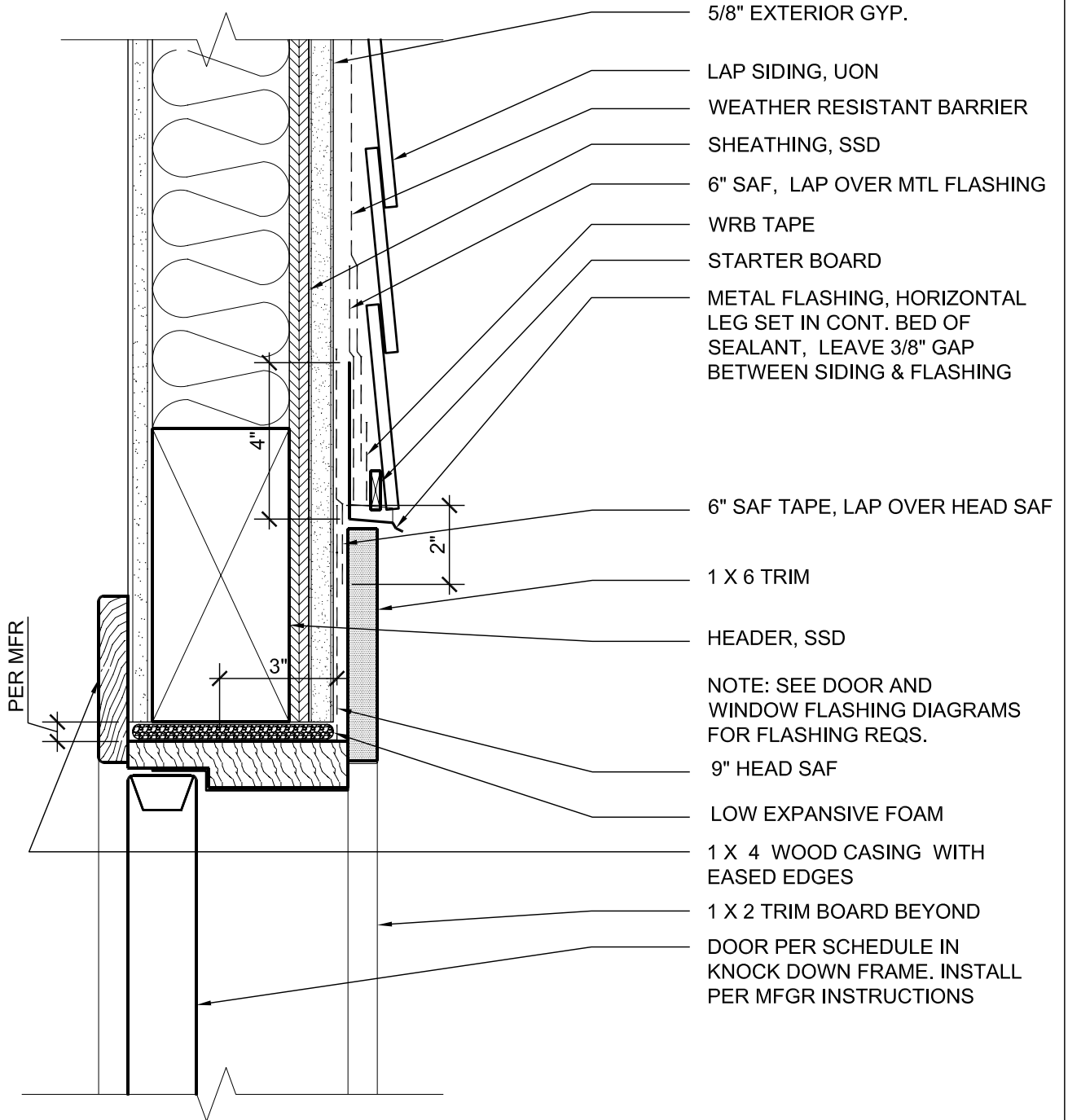
DOOR HEAD @ J6' FRONT ENTRY
 & BALCONY

A550-103

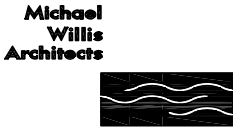


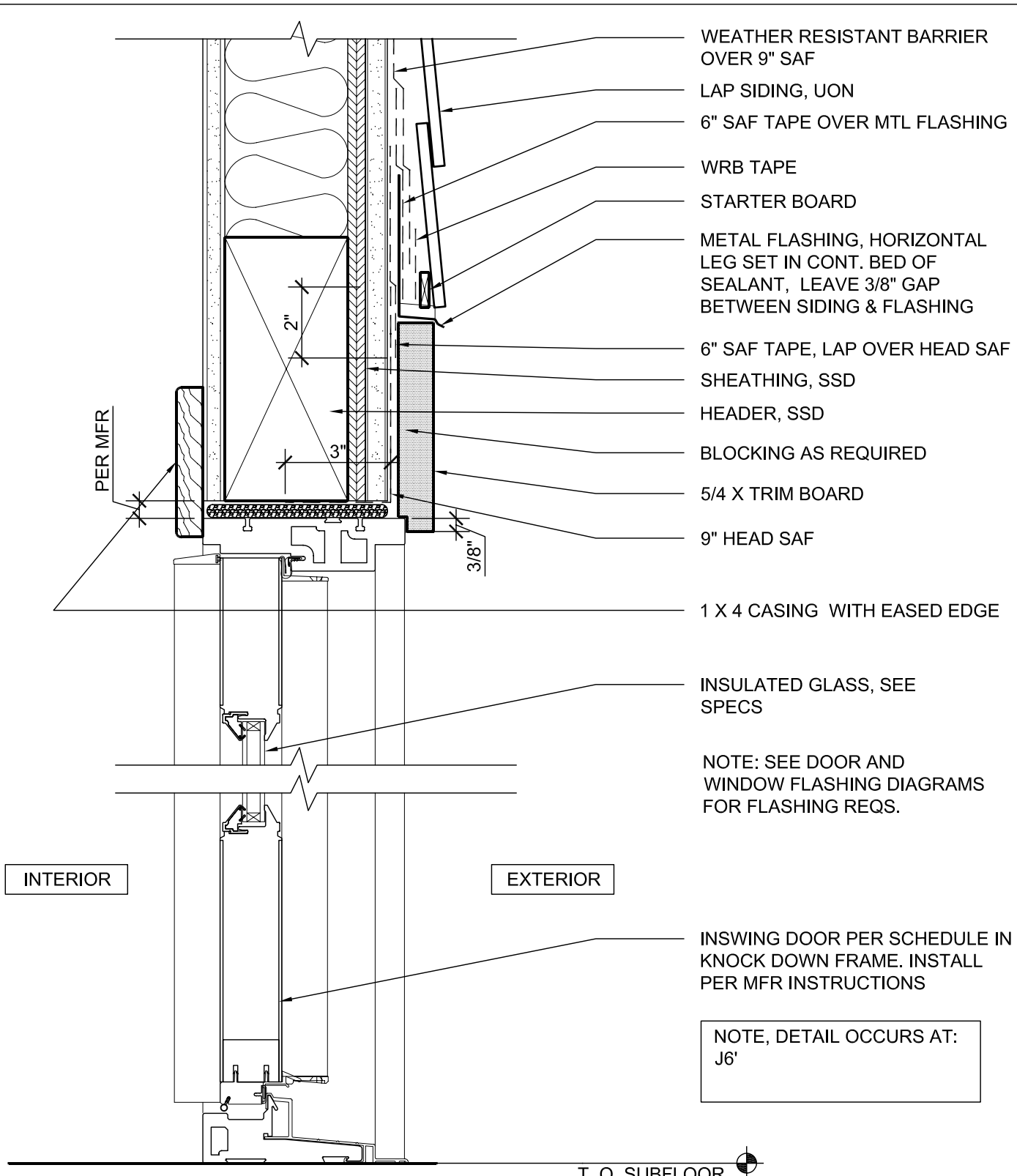
MWA JOB #: 200807	TREME/LAFITTE AND TULANE GRAVIER HOME	DATE: 10/14/08
REVISION: -	BUILDING PLAN NEW ORLEANS, LOUISIANA	SCALE: 3" = 1'-0"
	DOOR JAMB @ J6' FRONT ENTRY	A550-104

NOTE, DETAIL OCCURS AT:
J6' PORCH ENTRY



- 5/8" EXTERIOR GYP.
- LAP SIDING, UON
- WEATHER RESISTANT BARRIER
- SHEATHING, SSD
- 6" SAF, LAP OVER MTL FLASHING
- WRB TAPE
- STARTER BOARD
- METAL FLASHING, HORIZONTAL
LEG SET IN CONT. BED OF
SEALANT, LEAVE 3/8" GAP
BETWEEN SIDING & FLASHING
- 6" SAF TAPE, LAP OVER HEAD SAF
- 1 X 6 TRIM
- HEADER, SSD
- NOTE: SEE DOOR AND
WINDOW FLASHING DIAGRAMS
FOR FLASHING REQS.
- 9" HEAD SAF
- LOW EXPANSIVE FOAM
- 1 X 4 WOOD CASING WITH
EASED EDGES
- 1 X 2 TRIM BOARD BEYOND
- DOOR PER SCHEDULE IN
KNOCK DOWN FRAME. INSTALL
PER MFR INSTRUCTIONS

	MWA JOB #: 200807	TREME/LAFITTE AND TULANE GRAVIER HOME	DATE: 10/14/08
	REVISION: - -	BUILDING PLAN NEW ORLEANS, LOUISIANA	SCALE: ViewportScale
		TYP. DOOR HEAD @ J6 PRIME PORCH ENTRY - 1-HR RATED	A550-105



- WEATHER RESISTANT BARRIER OVER 9" SAF
- LAP SIDING, UON
- 6" SAF TAPE OVER MTL FLASHING
- WRB TAPE
- STARTER BOARD
- METAL FLASHING, HORIZONTAL LEG SET IN CONT. BED OF SEALANT, LEAVE 3/8" GAP BETWEEN SIDING & FLASHING
- 6" SAF TAPE, LAP OVER HEAD SAF
- SHEATHING, SSD
- HEADER, SSD
- BLOCKING AS REQUIRED
- 5/4 X TRIM BOARD
- 9" HEAD SAF

1 X 4 CASING WITH EASED EDGE

INSULATED GLASS, SEE SPECS

NOTE: SEE DOOR AND WINDOW FLASHING DIAGRAMS FOR FLASHING REQ'S.

INTERIOR

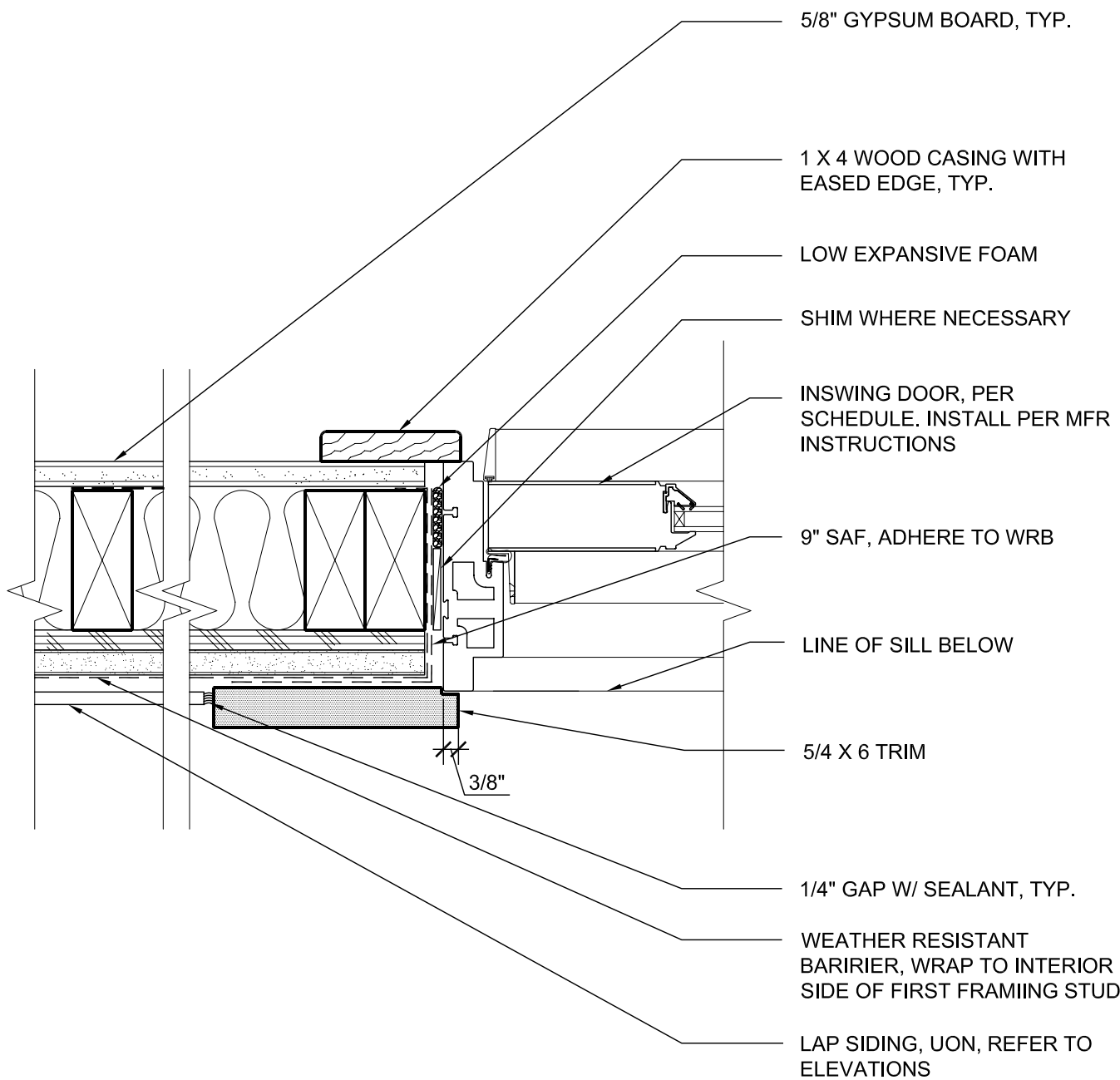
EXTERIOR

INSWING DOOR PER SCHEDULE IN KNOCK DOWN FRAME. INSTALL PER MFR INSTRUCTIONS

NOTE, DETAIL OCCURS AT: J6'

T. O. SUBFLOOR

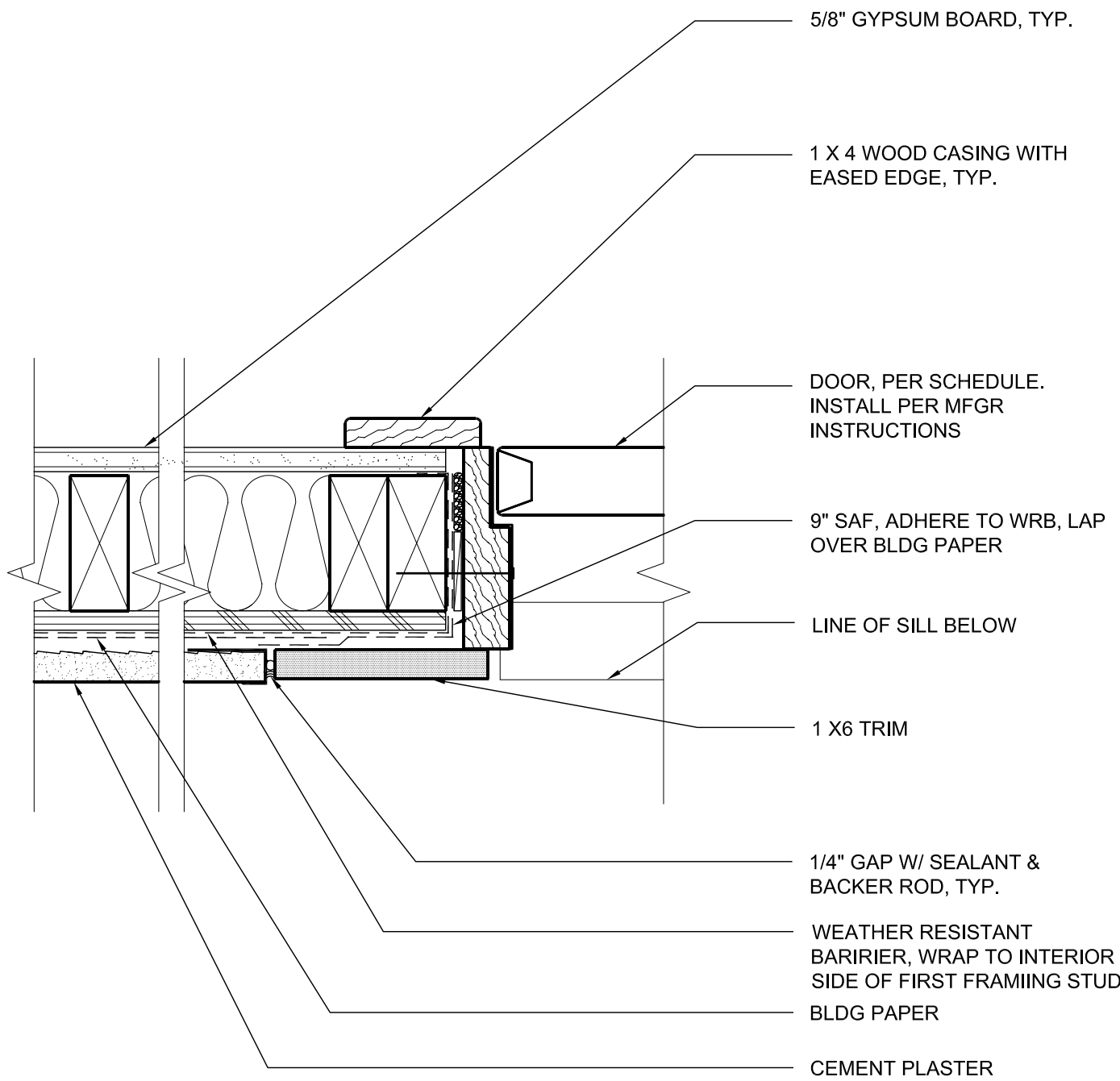
	MWA JOB #: 200807	TREME/LAFITTE AND TULANE GRAVIER HOME BUILDING PLAN NEW ORLEANS, LOUISIANA	DATE: 10/14/08
	REVISION: -		SCALE: 3"=1'-0"
		EXT. THRESHOLD & HEAD @ INSWING FRENCH DOORS	A550-106



MWA JOB #: 200807
 REVISION: -

TREME/LAFITTE AND TULANE GRAVIER HOME
 BUILDING PLAN
 NEW ORLEANS, LOUISIANA
 DOOR JAMB @ FRENCH DOOR @
 LAP SIDING

DATE: 10/14/08
 SCALE: 3"=1'-0"
 A550-107



5/8" GYPSUM BOARD, TYP.

1 X 4 WOOD CASING WITH EASED EDGE, TYP.

DOOR, PER SCHEDULE. INSTALL PER MFRG INSTRUCTIONS

9" SAF, ADHERE TO WRB, LAP OVER BLDG PAPER

LINE OF SILL BELOW

1 X 6 TRIM

1/4" GAP W/ SEALANT & BACKER ROD, TYP.

WEATHER RESISTANT BARRIER, WRAP TO INTERIOR SIDE OF FIRST FRAMING STUD

BLDG PAPER

CEMENT PLASTER

Michael Willis Architects



MWA JOB #: 200807

REVISION: - -

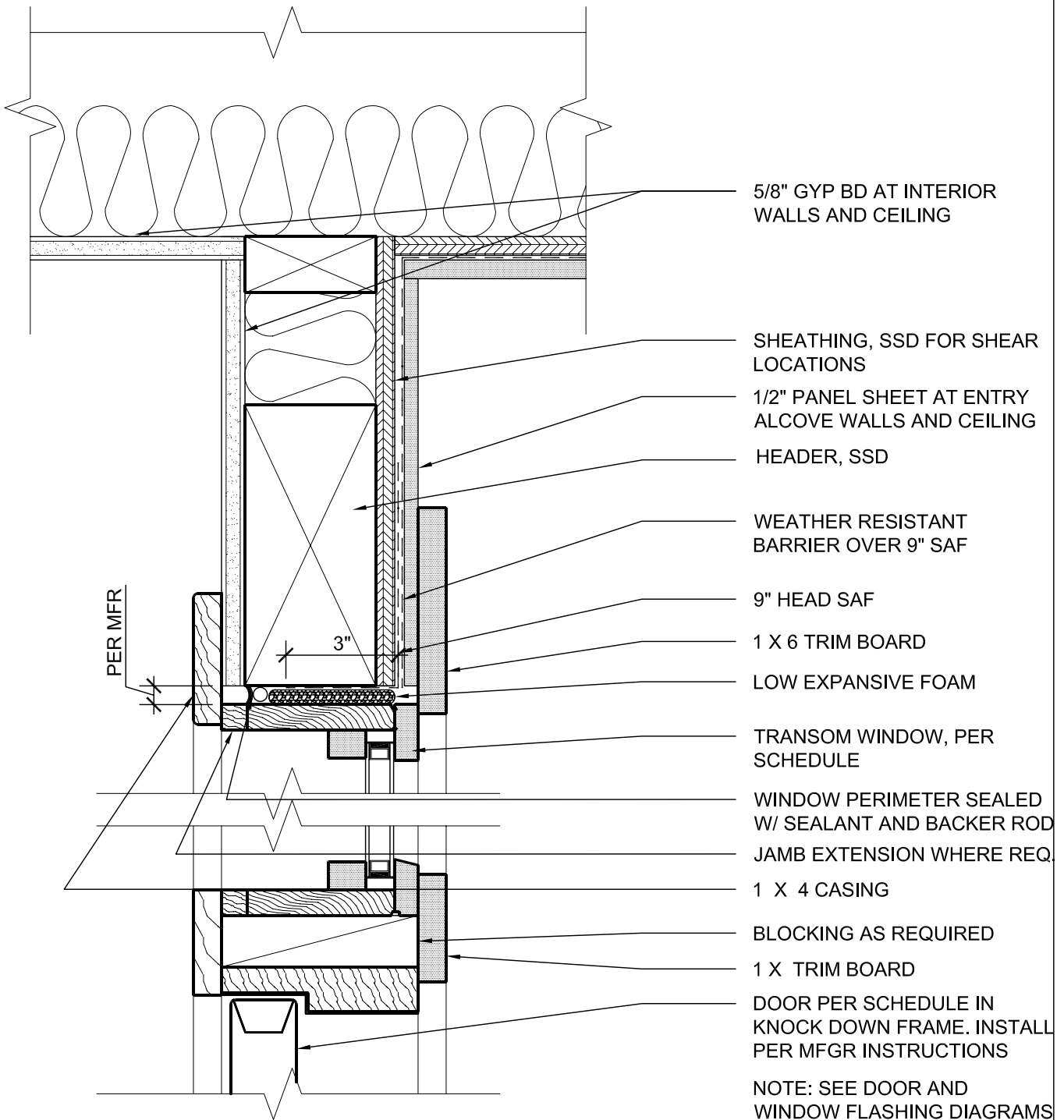
TREME/LAFITTE AND TULANE GRAVIER HOME
BUILDING PLAN
NEW ORLEANS, LOUISIANA

TYP. DOOR JAMB @ CEMENT PLASTER

DATE: 10/14/08

SCALE: 3" = 1'-0"

A550-201



5/8" GYP BD AT INTERIOR WALLS AND CEILING

SHEATHING, SSD FOR SHEAR LOCATIONS

1/2" PANEL SHEET AT ENTRY ALCOVE WALLS AND CEILING

HEADER, SSD

WEATHER RESISTANT BARRIER OVER 9" SAF

9" HEAD SAF

1 X 6 TRIM BOARD

LOW EXPANSIVE FOAM

TRANSOM WINDOW, PER SCHEDULE

WINDOW PERIMETER SEALED W/ SEALANT AND BACKER ROD

JAMB EXTENSION WHERE REQ.

1 X 4 CASING

BLOCKING AS REQUIRED

1 X TRIM BOARD

DOOR PER SCHEDULE IN KNOCK DOWN FRAME. INSTALL PER MFR INSTRUCTIONS

NOTE: SEE DOOR AND WINDOW FLASHING DIAGRAMS FOR FLASHING REQS.

NOTE, DETAIL OCCURS AT: D1, D2, E1

Michael Willis Architects



MWA JOB #: 200807

REVISION: -

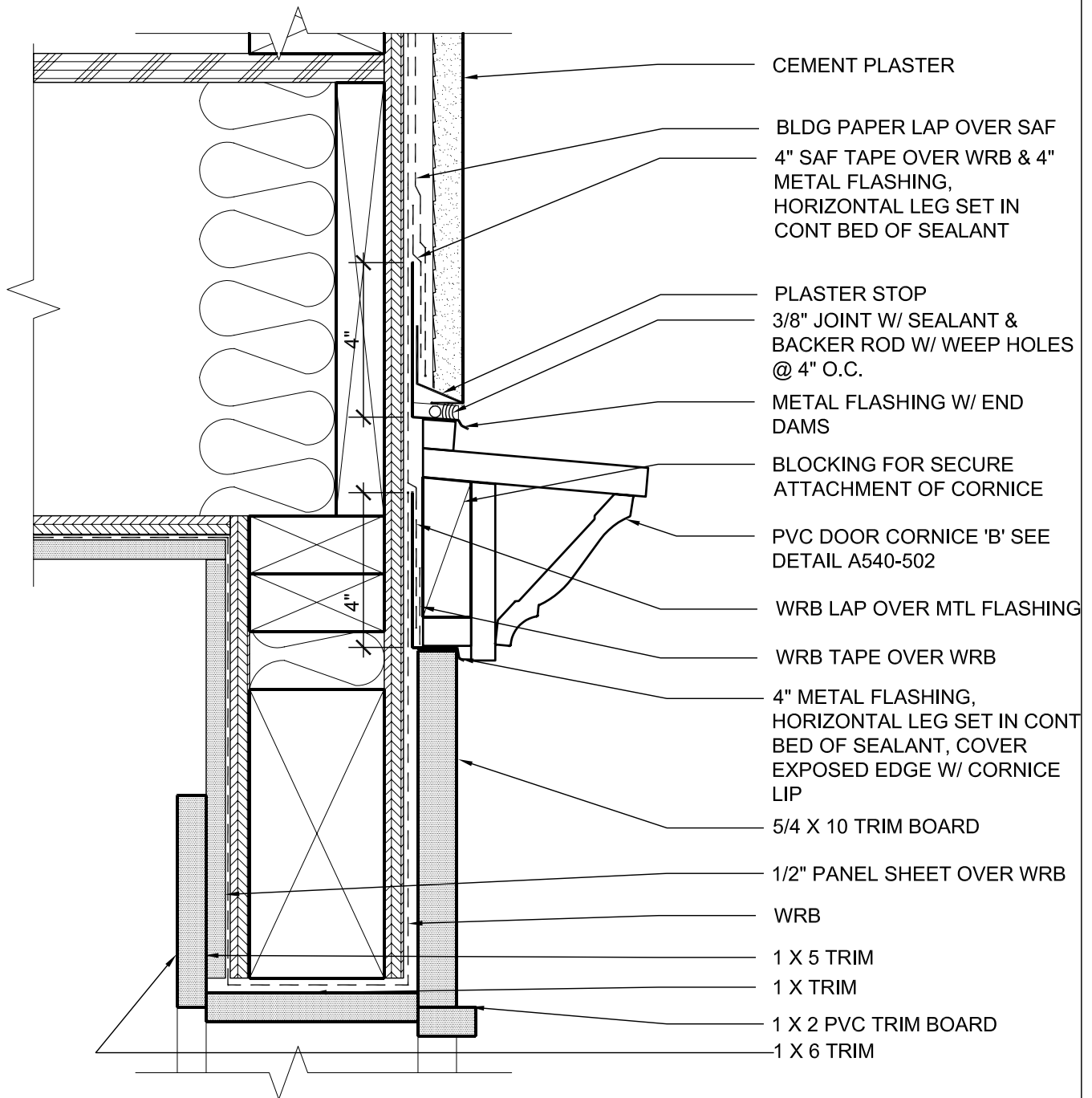
TREME/LAFITTE AND TULANE GRAVIER HOME BUILDING PLAN
NEW ORLEANS, LOUISIANA

DATE: 10/14/08

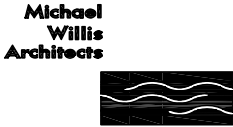
SCALE: 3" = 1'-0"

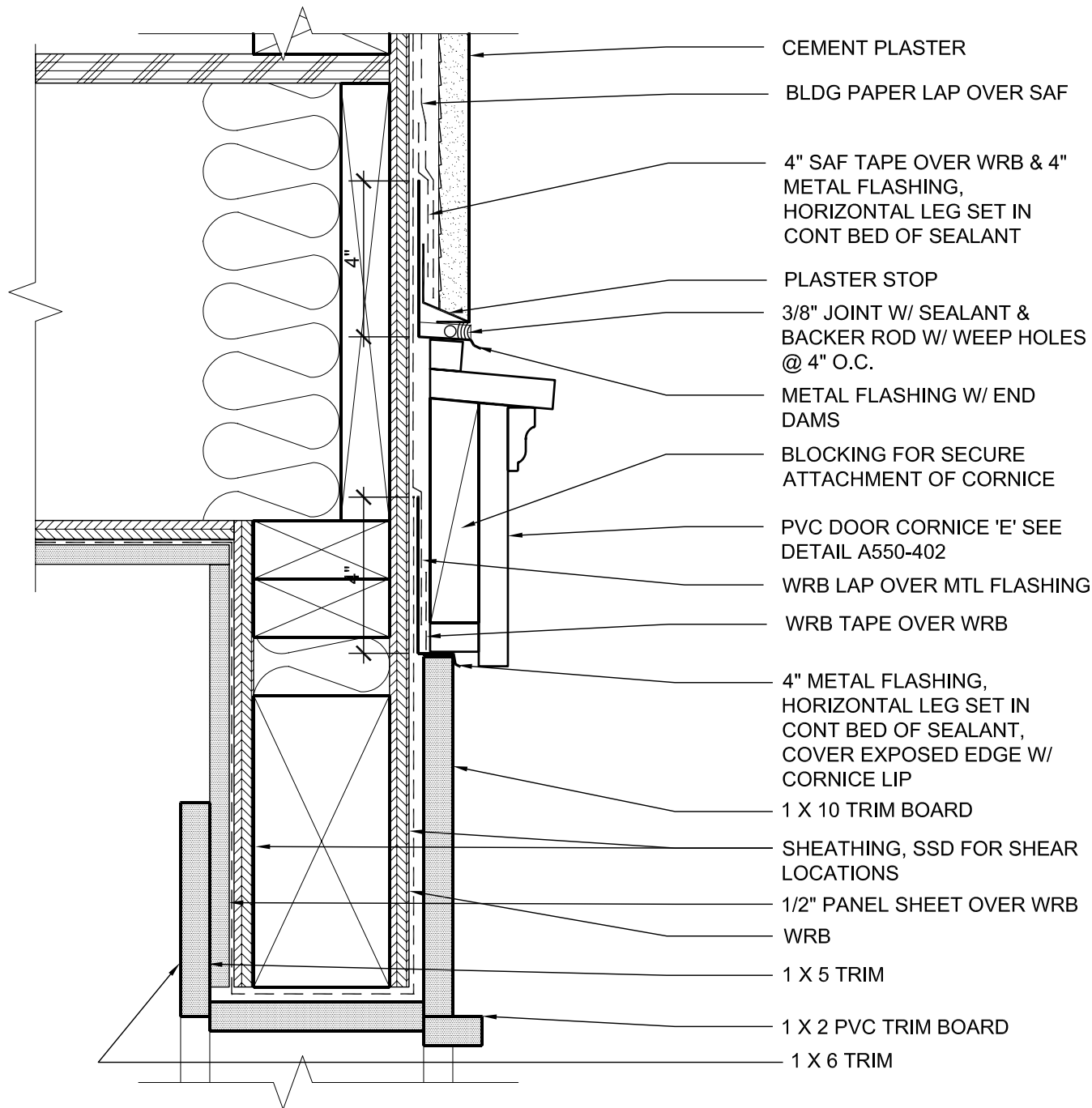
DOOR HEAD @ D1 D2 E1 ALCOVE

A550-202

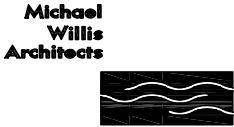


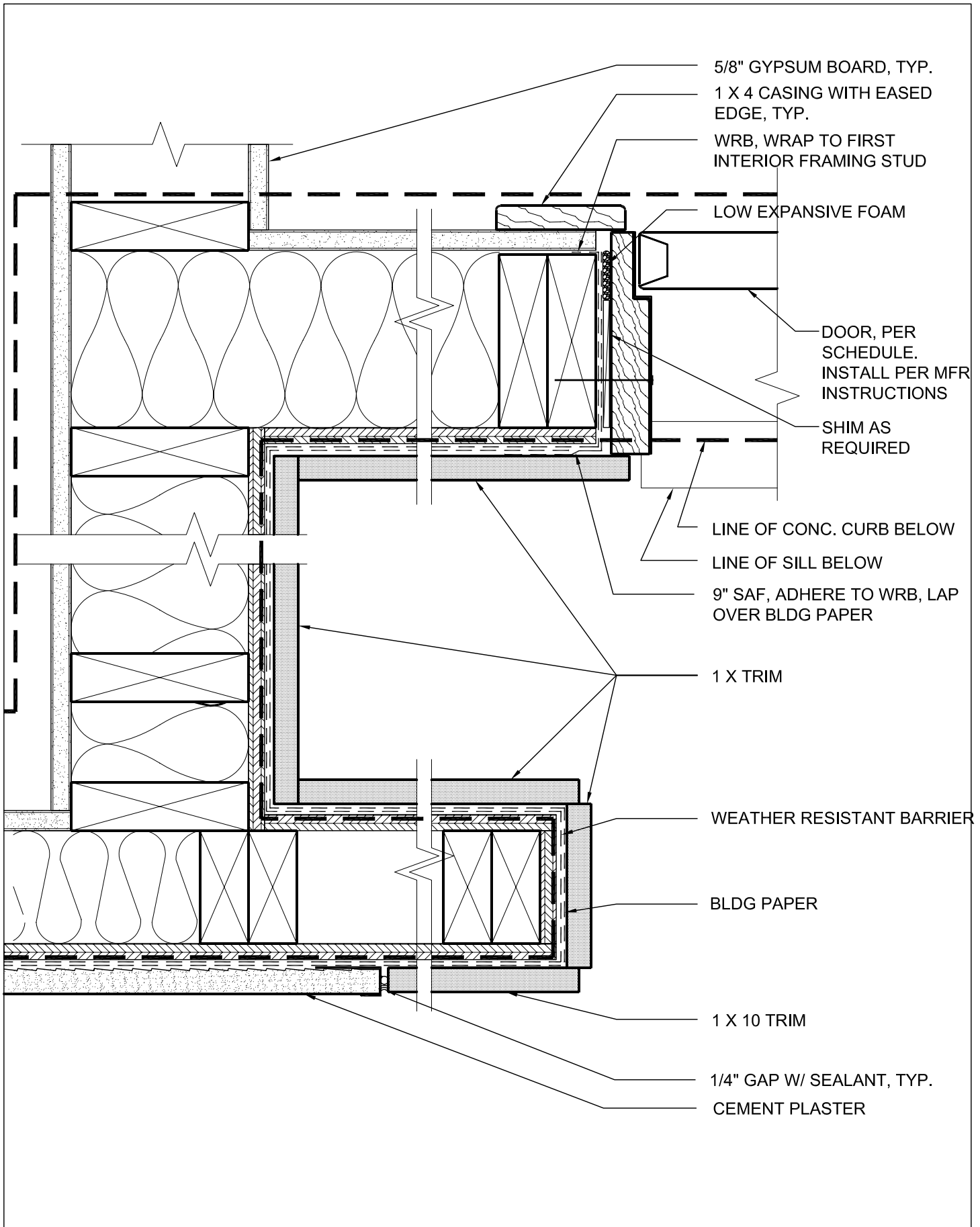
NOTE, DETAIL OCCURS AT:
D1, D2, D2'

	MWA JOB #: 200807	TREME/LAFITTE AND TULANE GRAVIER HOME	DATE: 10/14/08
	REVISION: -	BUILDING PLAN NEW ORLEANS, LOUISIANA	SCALE: 3" = 1'-0"
		DOOR HD @ CP FRONT ENTRY ALCOVE	A550-203



NOTE, DETAIL OCCURS AT:
D2

	MWA JOB #: 200807	TREME/LAFITTE AND TULANE GRAVIER HOME	DATE: 10/14/08
	REVISION: -	BUILDING PLAN NEW ORLEANS, LOUISIANA	SCALE: 3" = 1'-0"
DOOR HEAD @ LEFT ENTRY ALCOVE			A550-204



5/8" GYPSUM BOARD, TYP.
 1 X 4 CASING WITH EASED
 EDGE, TYP.
 WRB, WRAP TO FIRST
 INTERIOR FRAMING STUD

LOW EXPANSIVE FOAM

DOOR, PER
 SCHEDULE.
 INSTALL PER MFR
 INSTRUCTIONS

SHIM AS
 REQUIRED

LINE OF CONC. CURB BELOW
 LINE OF SILL BELOW
 9" SAF, ADHERE TO WRB, LAP
 OVER BLDG PAPER

1 X TRIM

WEATHER RESISTANT BARRIER

BLDG PAPER

1 X 10 TRIM

1/4" GAP W/ SEALANT, TYP.
 CEMENT PLASTER



MWA JOB #: 200807
 REVISION:
 - -

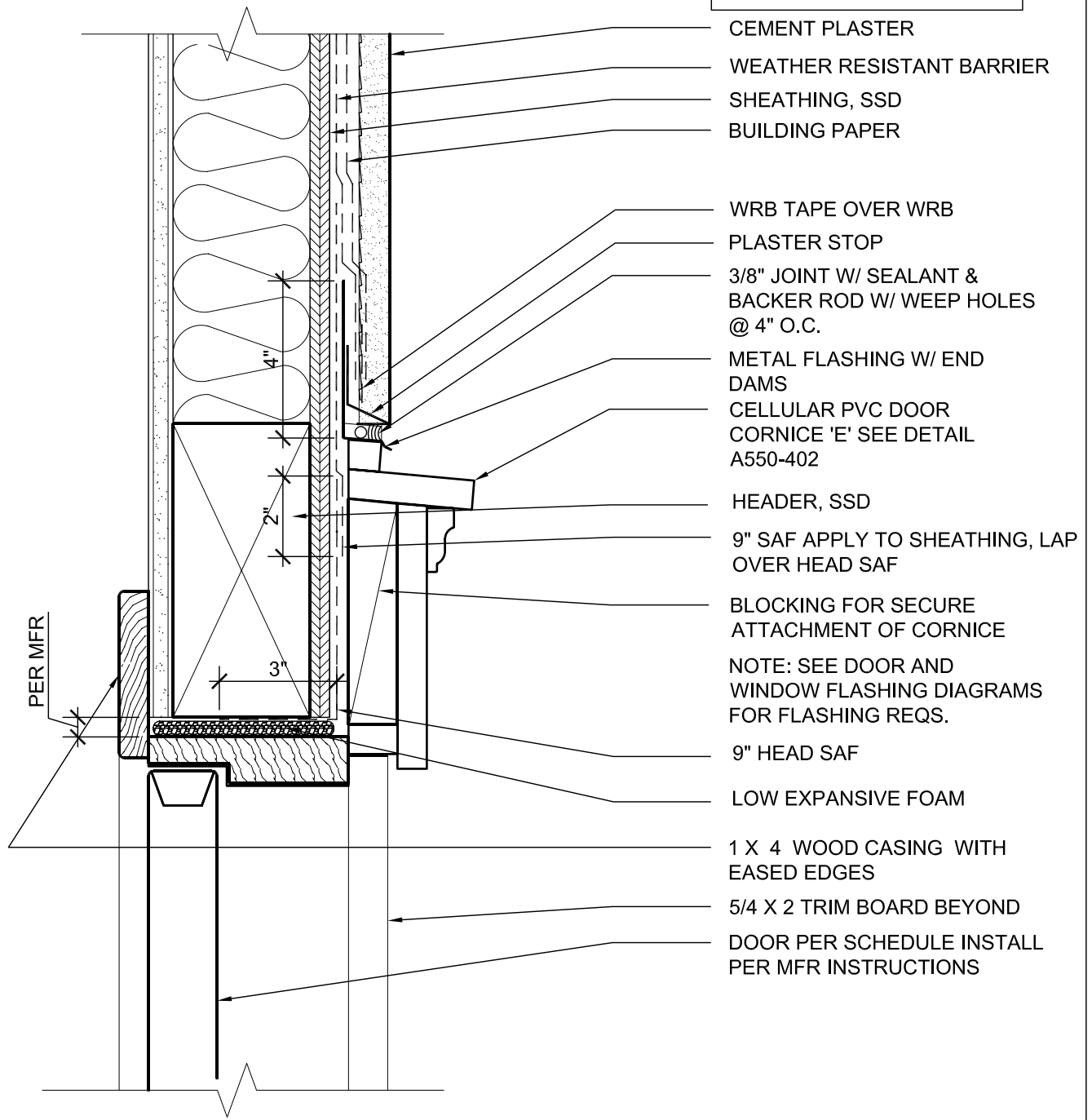
TREME/LAFITTE AND TULANE GRAVIER HOME
 BUILDING PLAN
 NEW ORLEANS, LOUISIANA

DATE: 10/14/08
 SCALE: 3" = 1'-0"


DOOR JAMB @ D2 FRONT &
 RIGHT ENTRY

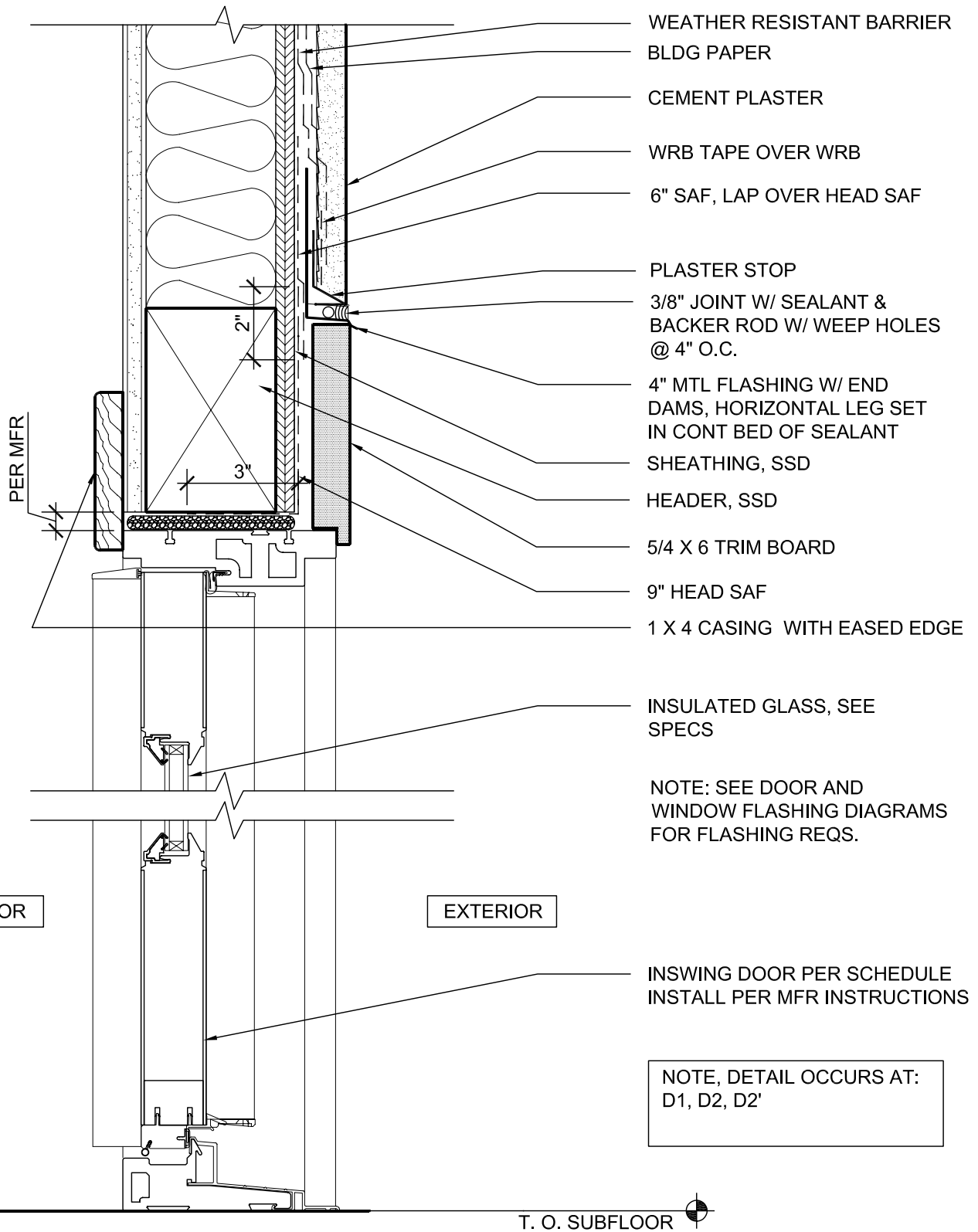
A550-205

NOTE, DETAIL OCCURS AT:
D1, D2, J6



- CEMENT PLASTER
- WEATHER RESISTANT BARRIER
- SHEATHING, SSD
- BUILDING PAPER
- WRB TAPE OVER WRB
- PLASTER STOP
- 3/8" JOINT W/ SEALANT & BACKER ROD W/ WEEP HOLES @ 4" O.C.
- METAL FLASHING W/ END DAMS
- CELLULAR PVC DOOR CORNICE 'E' SEE DETAIL A550-402
- HEADER, SSD
- 9" SAF APPLY TO SHEATHING, LAP OVER HEAD SAF
- BLOCKING FOR SECURE ATTACHMENT OF CORNICE
- NOTE: SEE DOOR AND WINDOW FLASHING DIAGRAMS FOR FLASHING REQS.
- 9" HEAD SAF
- LOW EXPANSIVE FOAM
- 1 X 4 WOOD CASING WITH EASED EDGES
- 5/4 X 2 TRIM BOARD BEYOND
- DOOR PER SCHEDULE INSTALL PER MFR INSTRUCTIONS


	MWA JOB #: 200807	TREME/LAFITTE AND TULANE GRAVIER HOME	DATE: 10/14/08
	REVISION: -	BUILDING PLAN NEW ORLEANS, LOUISIANA	SCALE: 3" = 1'-0"
TYP. CP DOOR HEAD @ SIDE & REAR ENTRY			A550-206



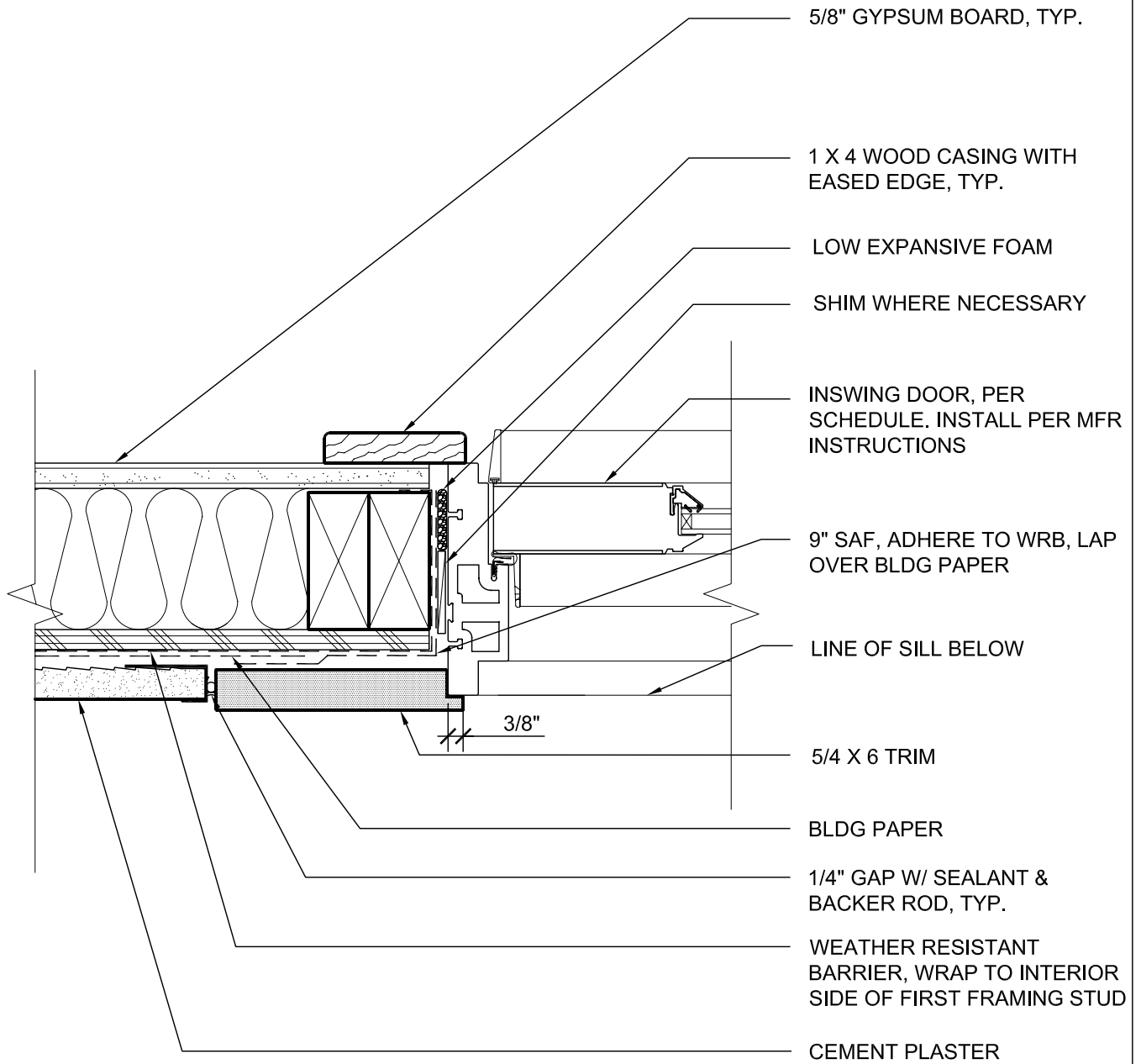
NOTE: SEE DOOR AND WINDOW FLASHING DIAGRAMS FOR FLASHING REQ'S.

NOTE, DETAIL OCCURS AT: D1, D2, D2'

T. O. SUBFLOOR

	MWA JOB #: 200807	TREME/LAFITTE AND TULANE GRAVIER HOME	DATE: 10/14/08
	REVISION: -	BUILDING PLAN NEW ORLEANS, LOUISIANA	SCALE: 3" = 1'-0"
THRESHOLD&HEAD @ FRENCH DOOR @ CEMENT PLASTER			A550-207

NOTE: DETAIL OCCURS AT D1, D2, D2'



**Michael
Willis
Architects**



MWA JOB #: 200807

REVISION:
- -

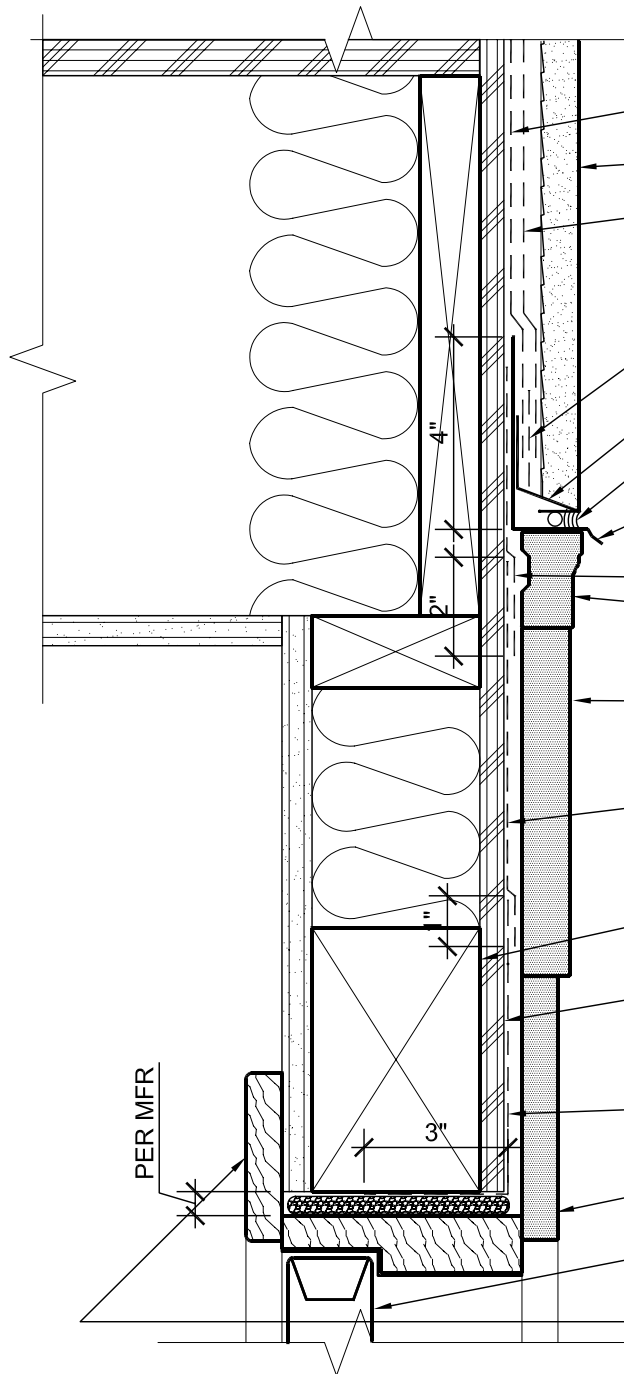
TREME/LAFITTE AND TULANE GRAVIER HOME
BUILDING PLAN
NEW ORLEANS, LOUISIANA

DATE: 10/14/08

SCALE: 3" = 1'-0"

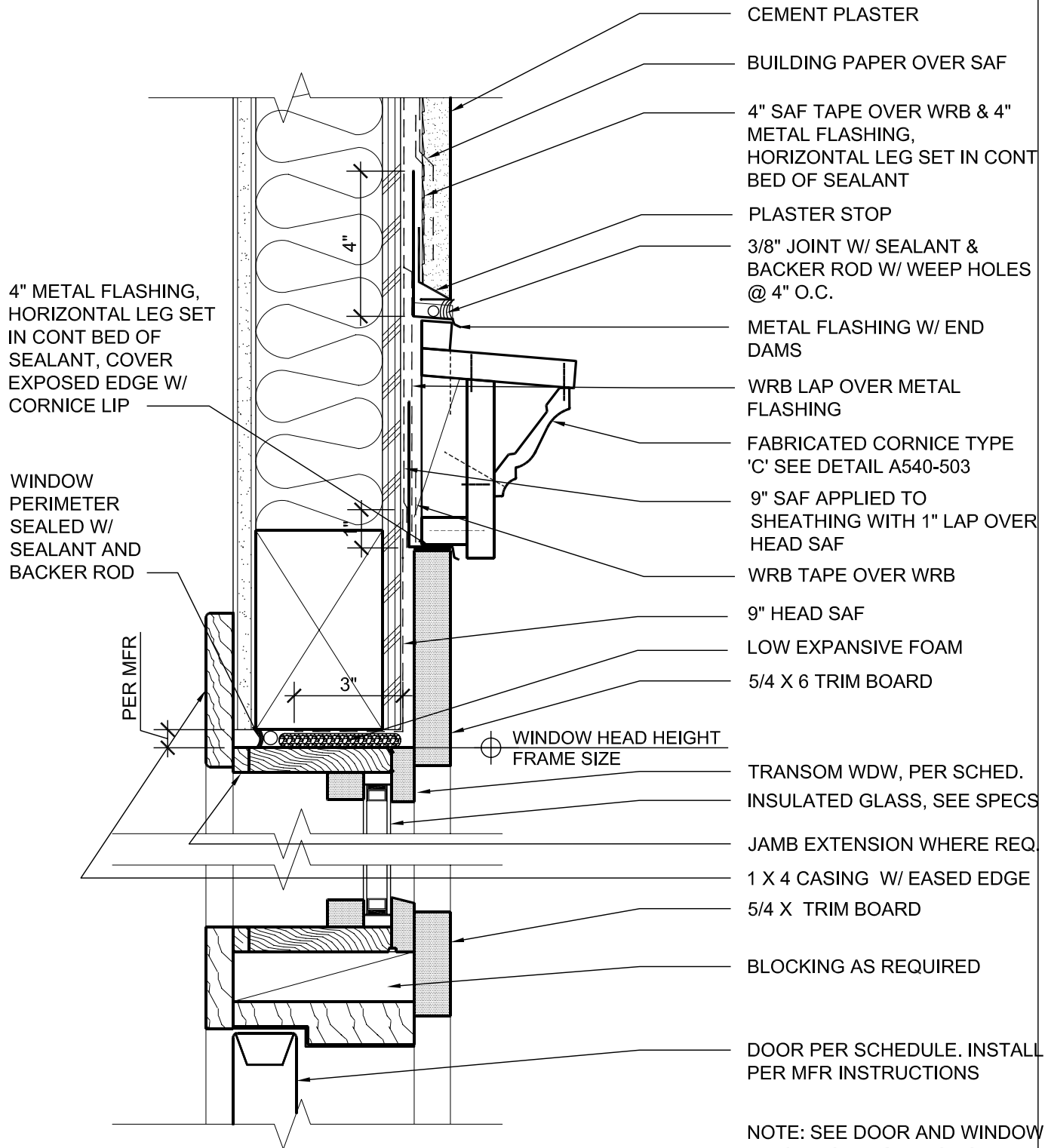
**DOOR JAMB @ FRENCH DOOR @
CEMENT PLASTER**

A550-208



- WEATHER RESISTIVE BARRIER
LAP OVER MTL FLASHING
- CEMENT PLASTER
- BLDG PAPER
- WRB TAPE OVER WRB
- PLASTER STOP
- 3/8" JOINT W/ SEALANT &
BACKER ROD W/ WEEP HOLES
@ 4" O.C.
- 4" MTL FLASHING W/ END
DAMS, HORIZONTAL LEG SET
IN CONT BED OF SEALANT
- 6" SAF, LAP OVER 9" SAF
- 2" CELLULAR PVC
BRICKMOULD
- 5/4X8 TRIM BOARD CUT TO
SIZE
- 9" SAF APPLIED TO
SHEATHING WITH 1" LAP OVER
HEAD SAF
- HEADER, SSD
- SHEATHING, SSD FOR SHEAR
LOCATIONS
- 9" HEAD SAF
- 1 X 6 TRIM BOARD
- DOOR PER SCHEDULE INSTALL
PER MFR INSTRUCTIONS
- 1 X 4 CASING

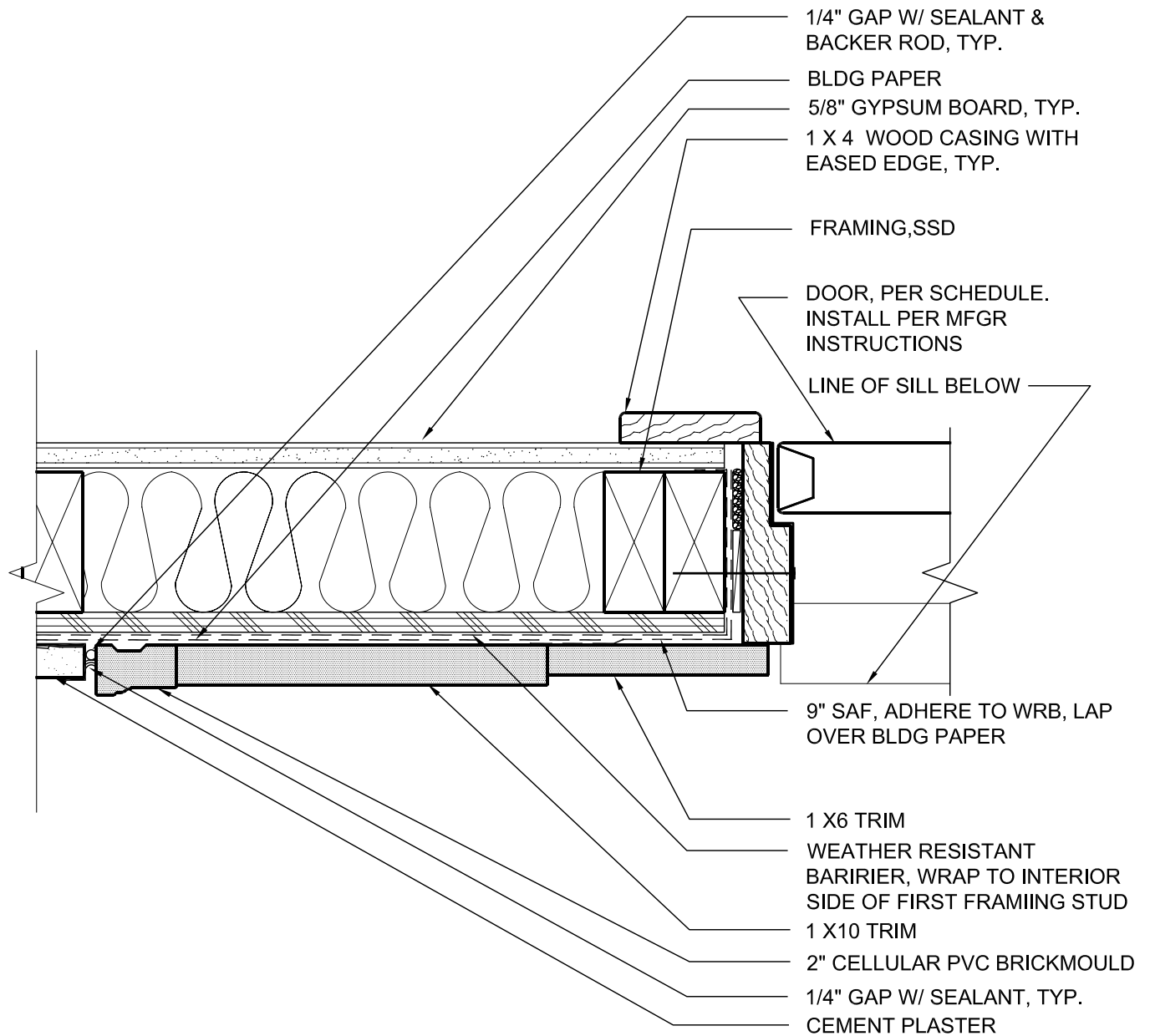
	MWA JOB #: 200807	TREME/LAFITTE AND TULANE GRAVIER HOME	DATE: 10/14/08
	REVISION: -	BUILDING PLAN NEW ORLEANS, LOUISIANA	SCALE: 3" = 1'-0"
DOOR HEAD @ J6 FRONT ENTRY			A550-209



MWA JOB #: 200807
 REVISION: -

TREME/LAFITTE AND TULANE GRAVIER HOME
 BUILDING PLAN
 NEW ORLEANS, LOUISIANA
 DOOR HD @ J6 & K6 REAR &
 SECONDARY DOORS

DATE: 10/14/08
 SCALE: 3" = 1'-0"
 A550-210



**Michael
Willis
Architects**



MWA JOB #: 200807

REVISION:
- -

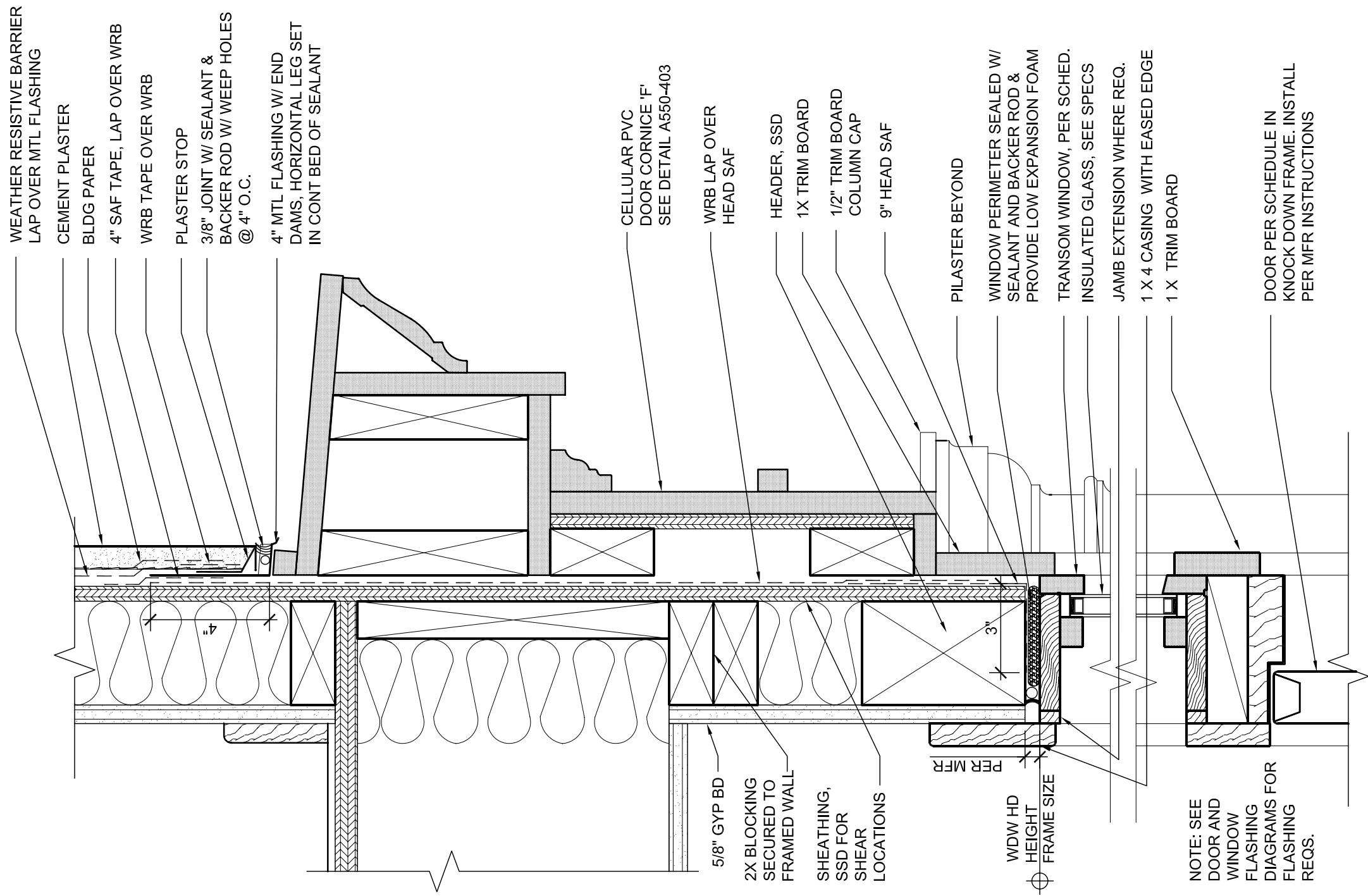
TREME/LAFITTE AND TULANE GRAVIER HOME
BUILDING PLAN
NEW ORLEANS, LOUISIANA

DATE: 10/14/08

SCALE: 3"= 1'-0"

DOOR JAMB @ J6 FRONT ENTRY

A550-211



NOTE: SEE DOOR AND WINDOW FLASHING DIAGRAMS FOR FLASHING REQ'S.



MWA JOB #: 200807
 REVISION -

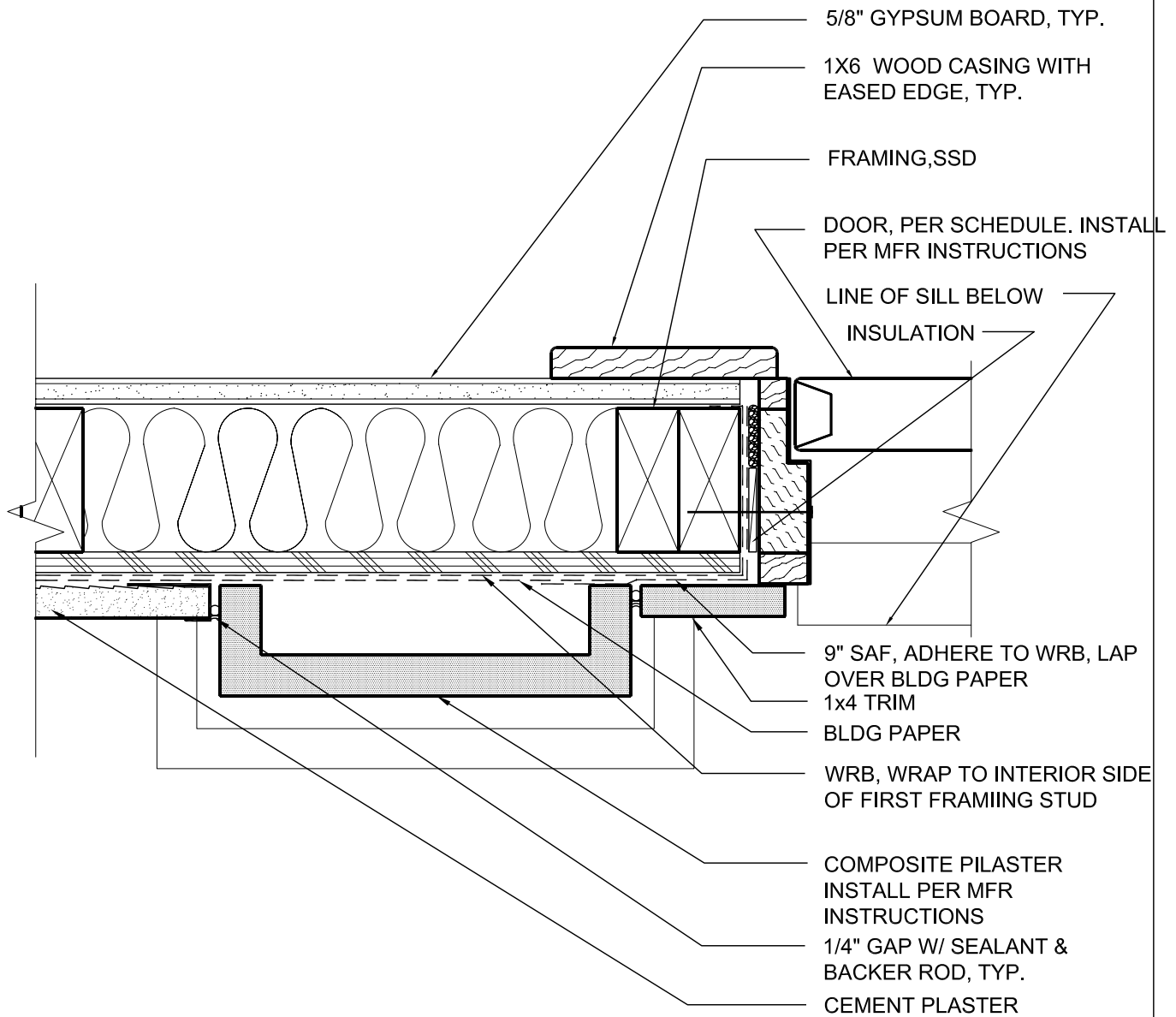
TREME/LAFITTE AND TULANE GRAVIER HOME BUILDING PLAN

NEW ORLEANS, LOUISIANA

DOOR HEAD @ K6 FRONT ENTRY

DATE: 10/14/08
 SCALE: ViewportScale

A550.212



**Michael
Willis
Architects**



MWA JOB #: 200807

REVISION:
- -

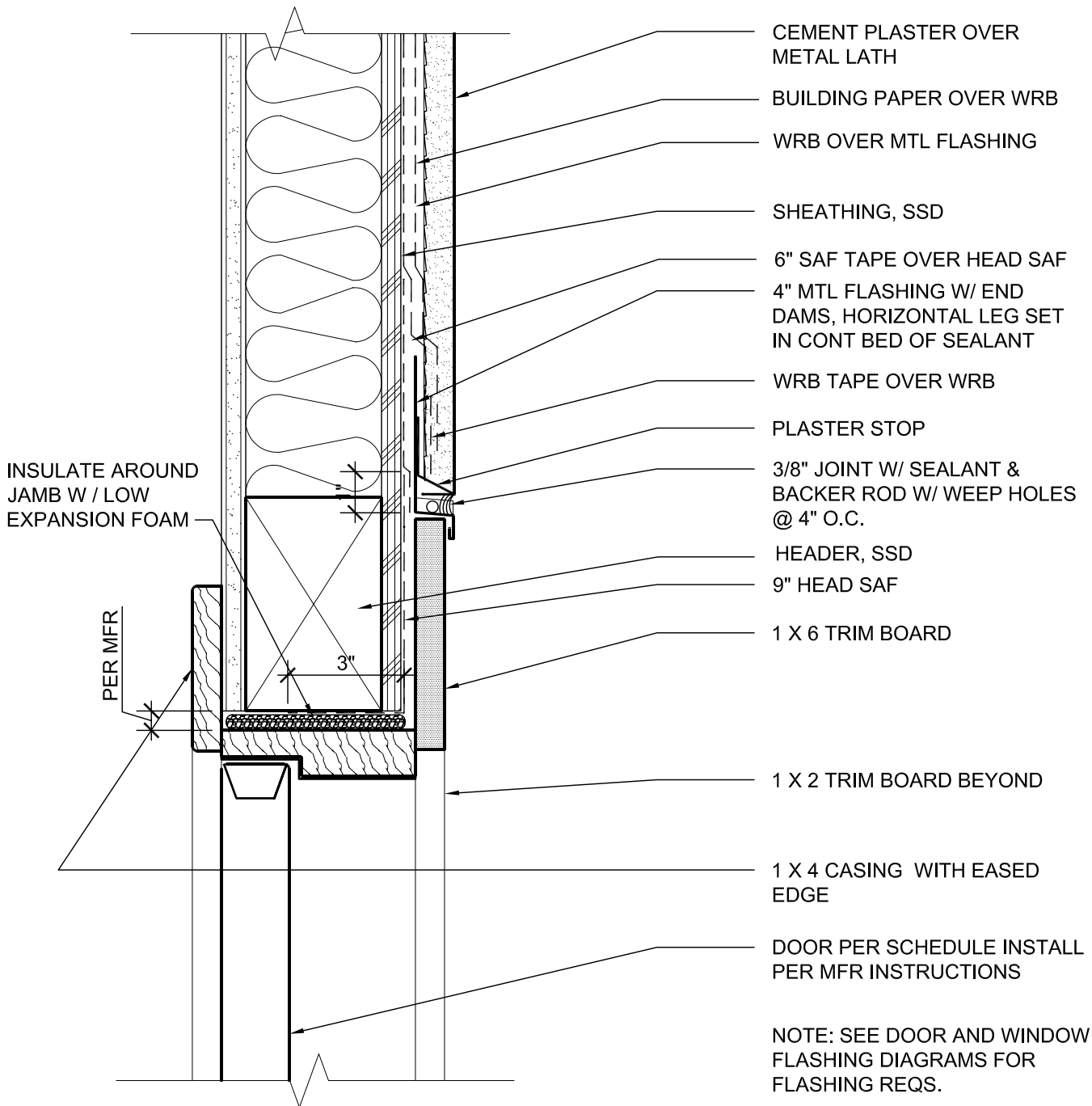
TREME/LAFITTE AND TULANE GRAVIER HOME
BUILDING PLAN
NEW ORLEANS, LOUISIANA

DATE: 10/14/08

SCALE: 3" = 1'-0"

DOOR JAMB @ K6 FRONT ENTRY

A550-213



- CEMENT PLASTER OVER METAL LATH
- BUILDING PAPER OVER WRB
- WRB OVER MTL FLASHING
- SHEATHING, SSD
- 6" SAF TAPE OVER HEAD SAF
- 4" MTL FLASHING W/ END DAMS, HORIZONTAL LEG SET IN CONT BED OF SEALANT
- WRB TAPE OVER WRB
- PLASTER STOP
- 3/8" JOINT W/ SEALANT & BACKER ROD W/ WEEP HOLES @ 4" O.C.
- HEADER, SSD
- 9" HEAD SAF
- 1 X 6 TRIM BOARD
- 1 X 2 TRIM BOARD BEYOND
- 1 X 4 CASING WITH EASED EDGE
- DOOR PER SCHEDULE INSTALL PER MFR INSTRUCTIONS

NOTE: SEE DOOR AND WINDOW FLASHING DIAGRAMS FOR FLASHING REQS.

	MWA JOB #: 200807	TREME/LAFITTE AND TULANE GRAVIER HOME	DATE: 10/14/08
	REVISION: -	BUILDING PLAN NEW ORLEANS, LOUISIANA	SCALE: 3" = 1'-0"
		DOOR HEAD @ K6 FRENCH DOOR	A550-214

1 X 4 CASING WITH EASED EDGE

PER MFR

3"

INTERIOR

EXTERIOR

- 4" SAF TAPE OVER WRB & 4" METAL FLASHING, HORIZONTAL LEG SET IN CONT BED OF SEALANT
- CEMENT PLASTER
- BUILDING PAPER OVER SAF
- PLASTER STOP
- 3/8" JOINT W/ SEALANT & BACKER ROD W/ WEEP HOLES @ 4" O.C.
- METAL FLASHING W/ END DAMS
- WRB LAP OVER MTL FLASHING
- 9" SAF APPLIED TO SHEATHING WITH 1" LAP OVER HEAD SAF
- FABRICATED CORNICE TYPE 'C' SEE DETAIL A540-503
- WRB TAPE OVER WRB
- 4" METAL FLASHING, HORIZONTAL LEG SET IN CONT BED OF SEALANT, COVER EXPOSED EDGE W/ CORNICE LIP
- SHEATHING, SSD
- HEADER, SSD
- 5/4 X 6 TRIM BOARD
- 9" HEAD SAF
- LOW EXPANSIVE FOAM
- INSULATED GLASS, SEE SPECS

NOTE: SEE DOOR AND WINDOW FLASHING DIAGRAMS FOR FLASHING REQ'S.

INSWING DOOR PER SCHEDULE. INSTALL PER MFR INSTRUCTIONS

NOTE, DETAIL OCCURS AT: J6

T. O. SUBFLOOR



MWA JOB #: 200807

REVISION: -

TREME/LAFITTE AND TULANE GRAVIER HOME
BUILDING PLAN
NEW ORLEANS, LOUISIANA

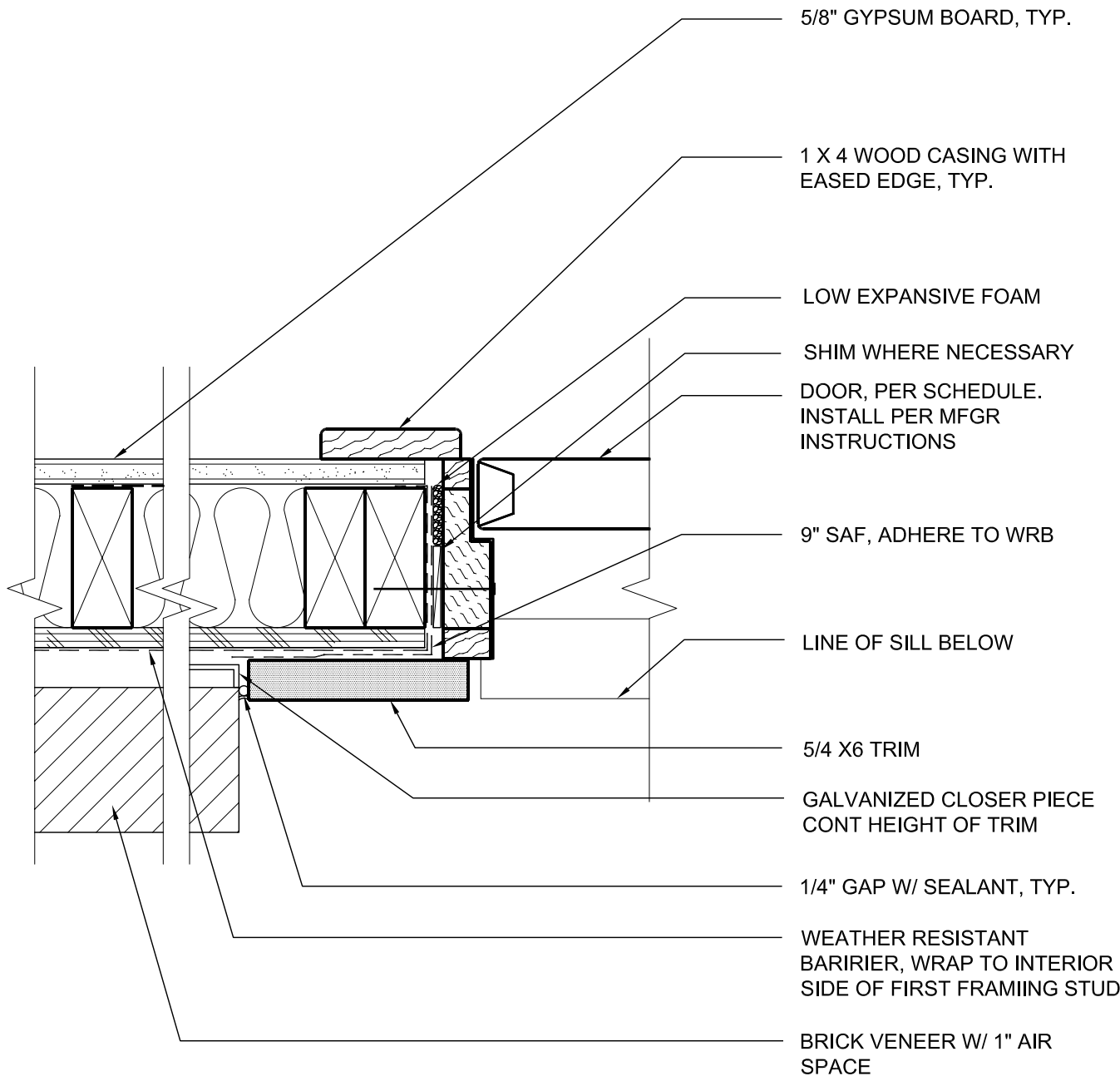
DATE: 10/14/08

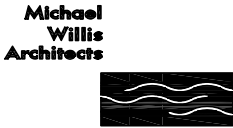
SCALE: 3"=1'-0"

THRESHOLD & HEAD @ FRENCH
DOOR @ CEMENT PLASTER

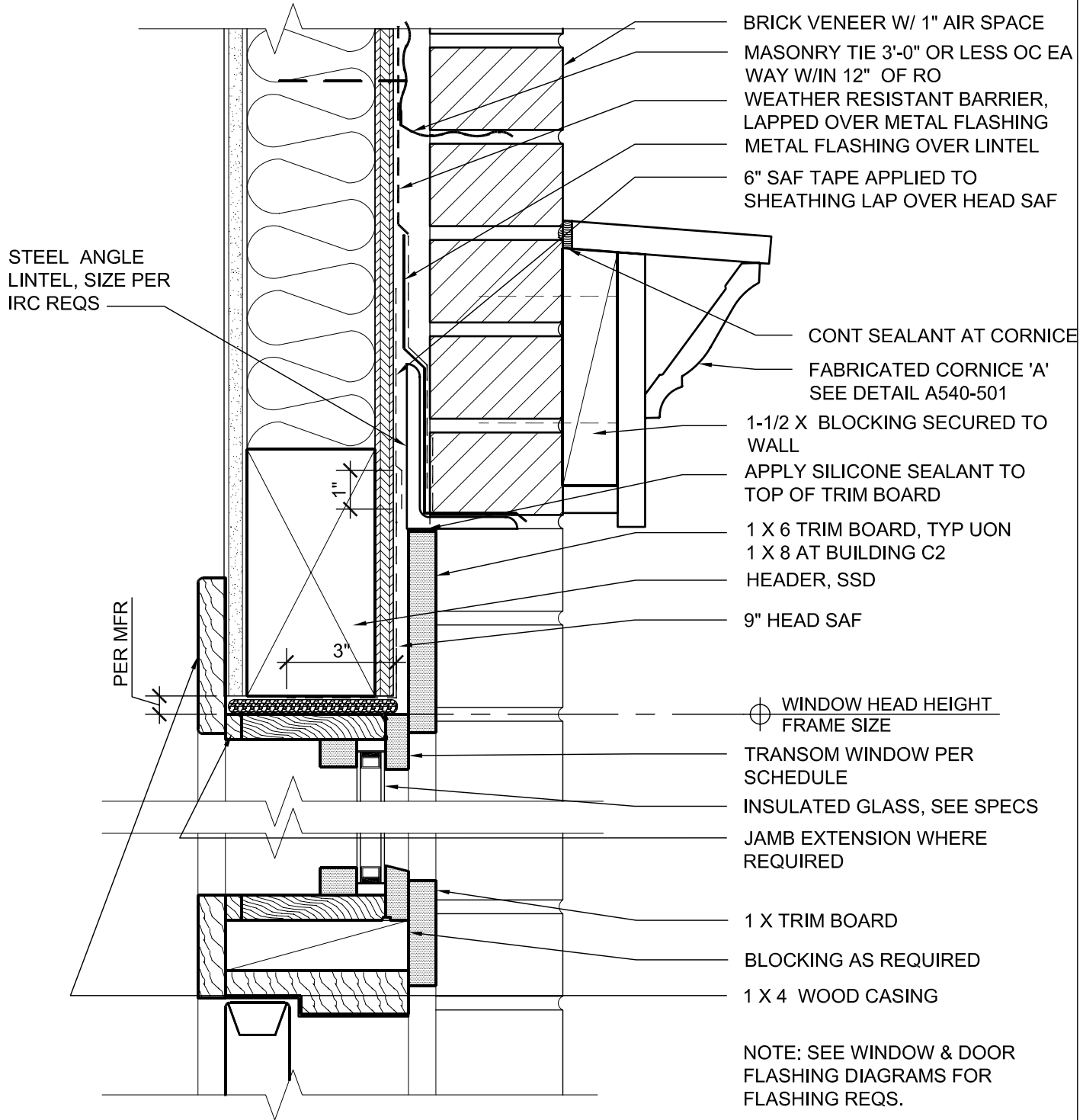
A550-215

NOTE: DETAIL OCCURS AT
C1 OPTION 2 & C2 OPTION 2



	MWA JOB #: 200807	TREME/LAFITTE AND TULANE GRAVIER HOME	DATE: 10/14/08
	REVISION: - -	BUILDING PLAN NEW ORLEANS, LOUISIANA	SCALE: 3" = 1'-0"
DOOR JAMB @ BRICK VENEER			A550-301

NOTE: DETAIL OCCURS AT C1 OPTION 2 & C2 OPTION 2



STEEL ANGLE
LINTEL, SIZE PER
IRC REQS

BRICK VENEER W/ 1" AIR SPACE
MASONRY TIE 3'-0" OR LESS OC EA
WAY W/IN 12" OF RO
WEATHER RESISTANT BARRIER,
LAPPED OVER METAL FLASHING
METAL FLASHING OVER LINTEL
6" SAF TAPE APPLIED TO
SHEATHING LAP OVER HEAD SAF

CONT SEALANT AT CORNICE
FABRICATED CORNICE 'A'
SEE DETAIL A540-501

1-1/2 X BLOCKING SECURED TO
WALL
APPLY SILICONE SEALANT TO
TOP OF TRIM BOARD

1 X 6 TRIM BOARD, TYP UON
1 X 8 AT BUILDING C2
HEADER, SSD

9" HEAD SAF

⊕ WINDOW HEAD HEIGHT
FRAME SIZE

TRANSOM WINDOW PER
SCHEDULE

INSULATED GLASS, SEE SPECS

JAMB EXTENSION WHERE
REQUIRED

1 X TRIM BOARD

BLOCKING AS REQUIRED

1 X 4 WOOD CASING

NOTE: SEE WINDOW & DOOR
FLASHING DIAGRAMS FOR
FLASHING REQS.



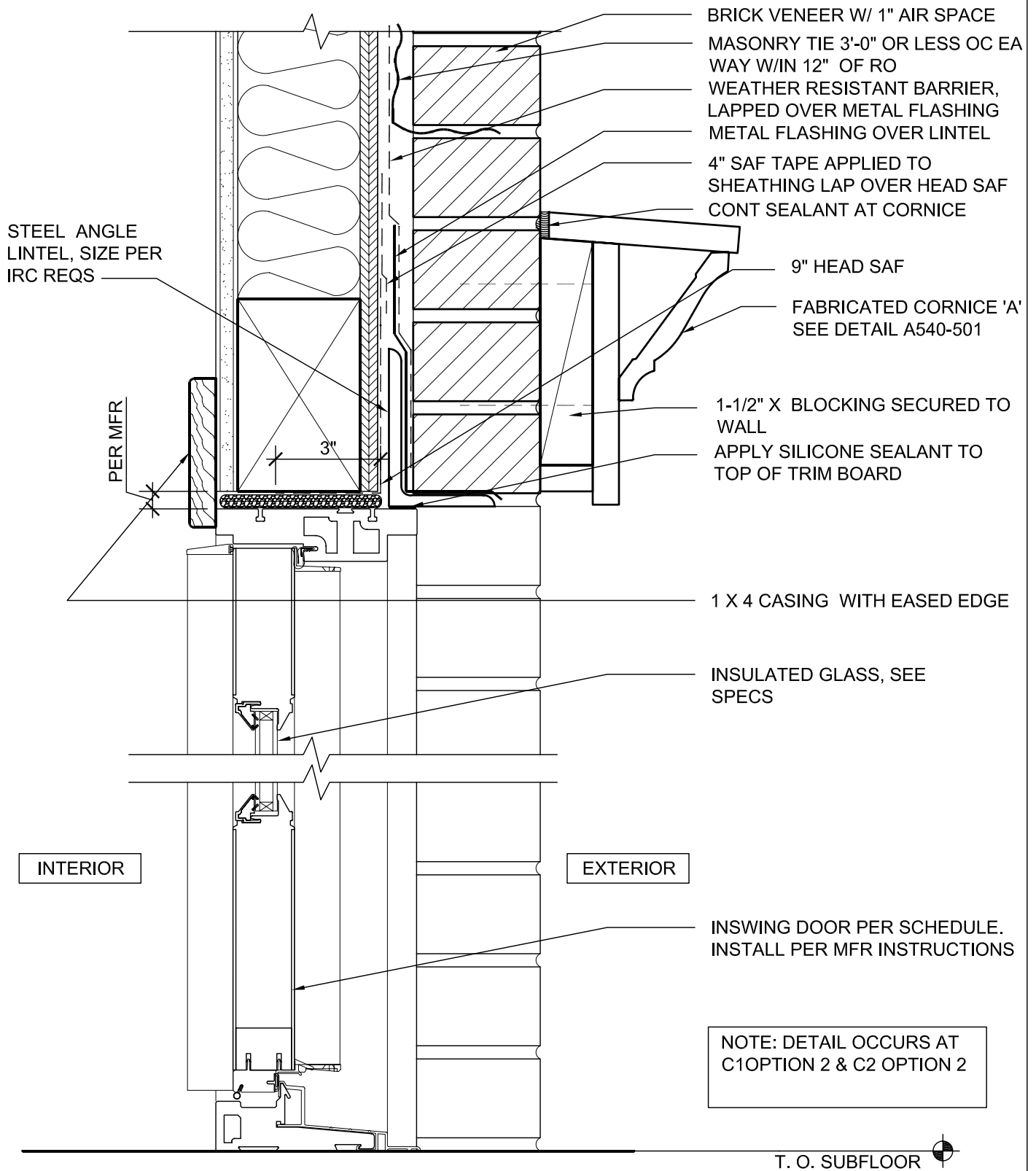
MWA JOB #: 200807
REVISION: -

TREME/LAFITTE AND TULANE GRAVIER HOME
BUILDING PLAN
NEW ORLEANS, LOUISIANA

DATE: 10/14/08
SCALE: 3" = 1'-0"

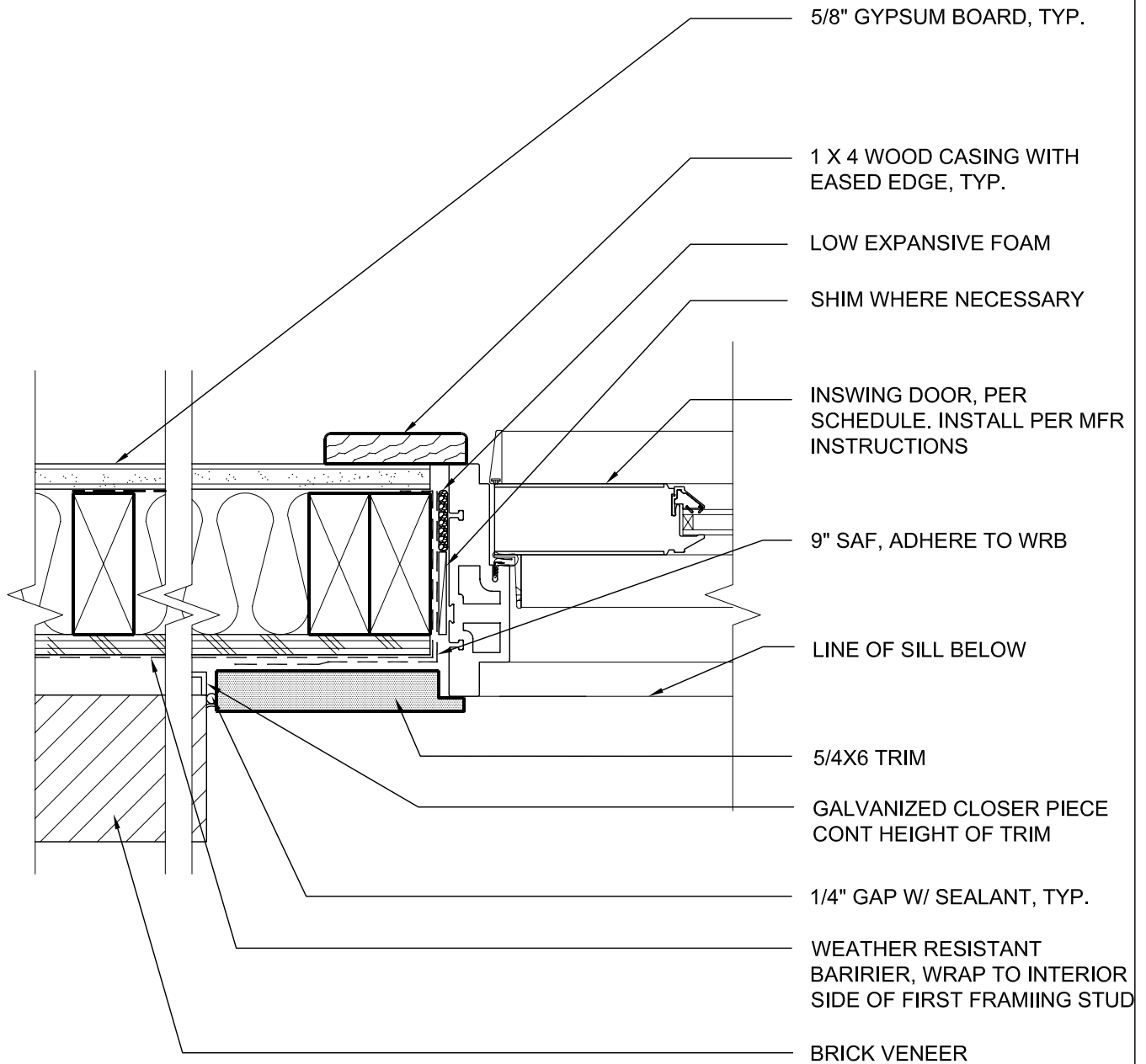
DOOR HEAD @ ENTRY @ BRICK
VENEER

A550-302



MWA JOB #: 200807	TREME/LAFITTE AND TULANE GRAVIER HOME	DATE: 10/14/08
REVISION: -	BUILDING PLAN	SCALE: 3" = 1'-0"
	NEW ORLEANS, LOUISIANA	
	DOOR THRESHOLD&HEAD @ FRENCH DOOR @ BRICK VENEER	A550-303

NOTE: DETAIL OCCURS AT
C1 OPTION 2 & C2 OPTION 2



**Michael
Willis
Architects**



MWA JOB #: 200807

REVISION:
- -

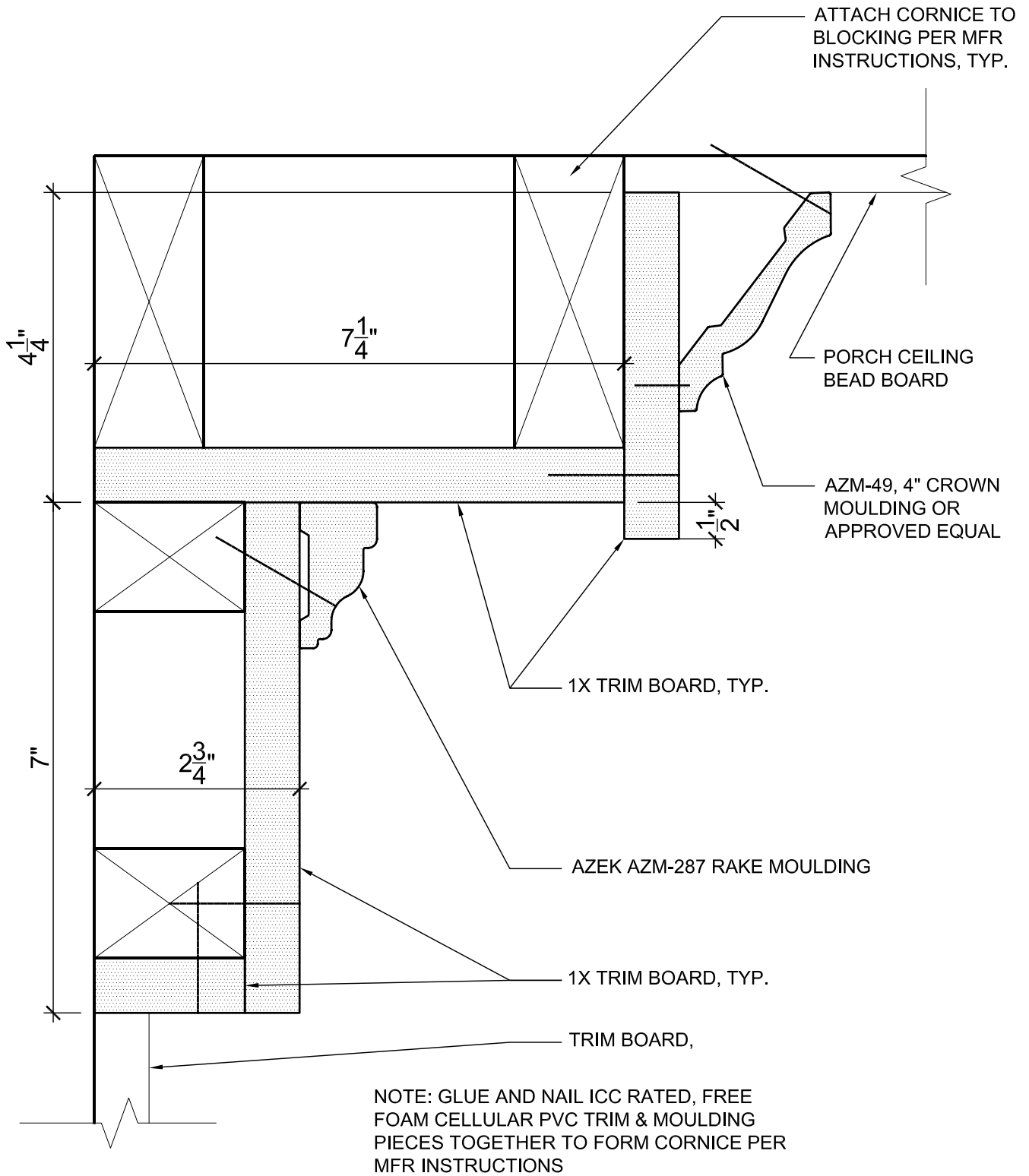
TREME/LAFITTE AND TULANE GRAVIER HOME
BUILDING PLAN
NEW ORLEANS, LOUISIANA

DOOR JAMB @ FRENCH DOOR @
BRICK VENEER

DATE: 10/14/08

SCALE: 3"=1'-0"

A550-304



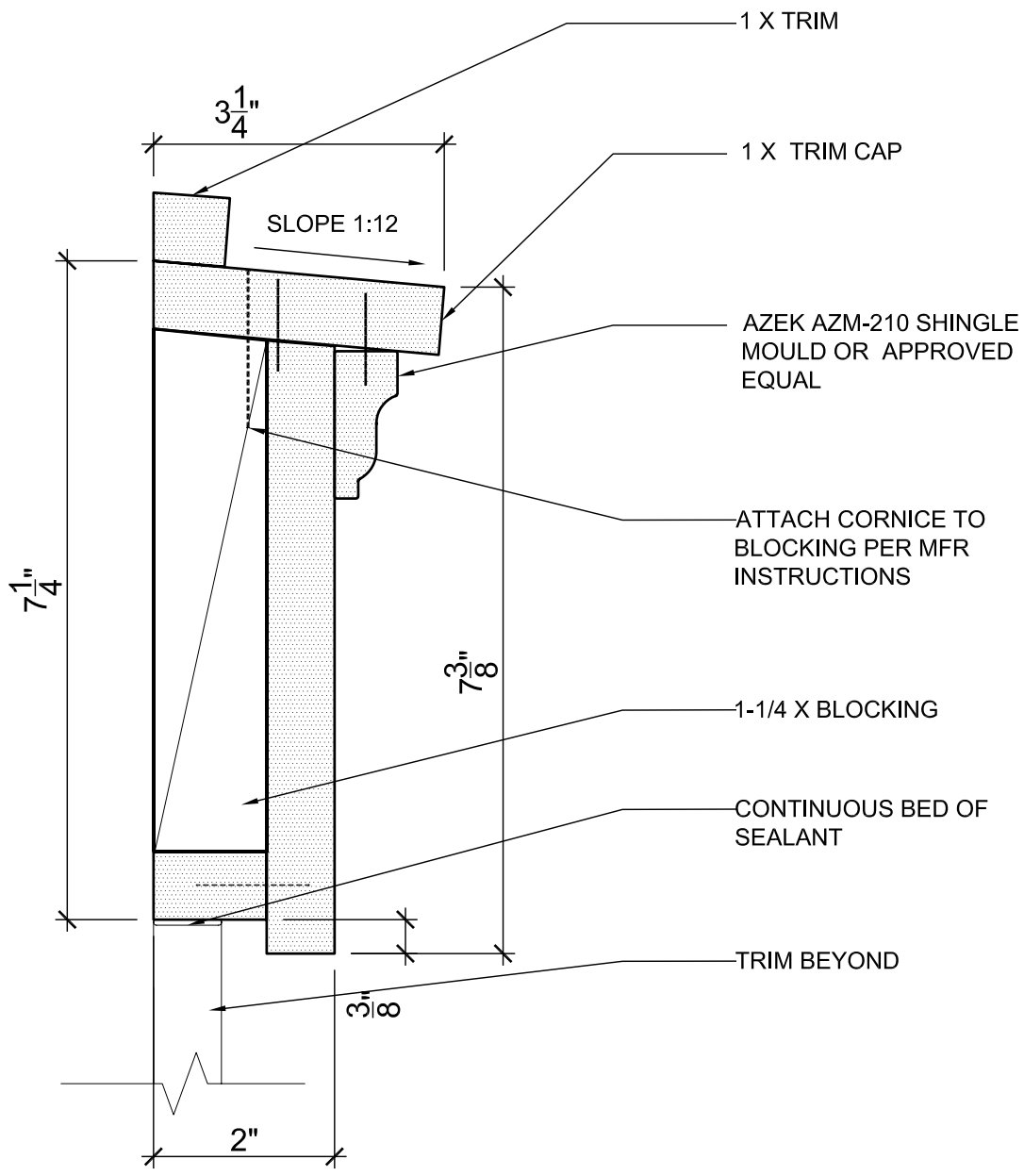
MWA JOB #: 200807
 REVISION: -

TREME/LAFITTE AND TULANE GRAVIER HOME
 BUILDING PLAN
 NEW ORLEANS, LOUISIANA

DATE: 10/14/08
 SCALE: 6" = 1'-0"

DOOR CORNICE 'D' DETAIL

A550-401



NOTE: GLUE AND NAIL ICC RATED, FREE FOAM CELLULAR PVC TRIM & MOULDING PIECES TOGETHER TO FORM CORNICE PER MFR INSTRUCTIONS



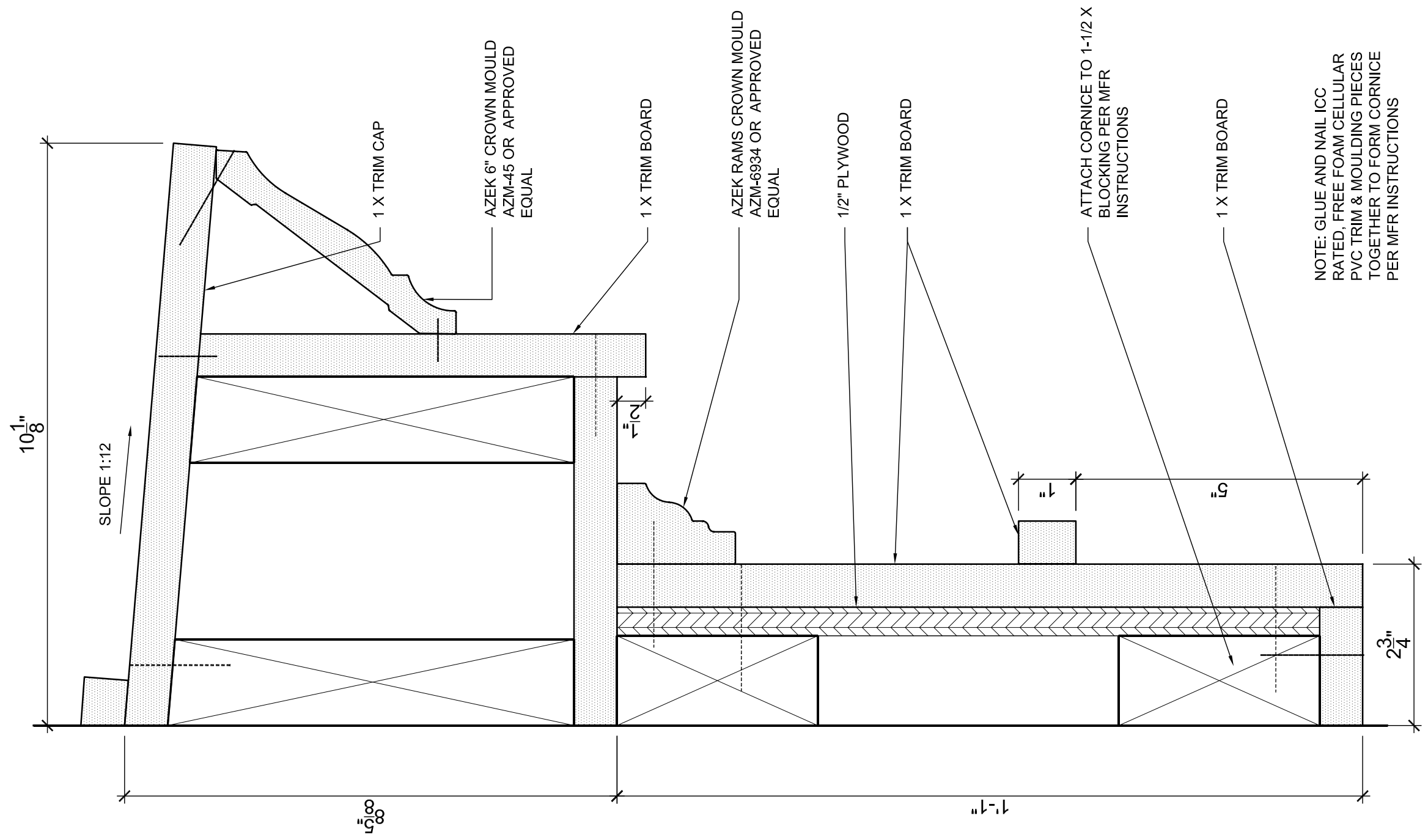
MWA JOB #: 200807
 REVISION: -

TREME/LAFITTE AND TULANE GRAVIER HOME
 BUILDING PLAN
 NEW ORLEANS, LOUISIANA

DATE: 10/14/08
 SCALE: 6" = 1'-0"

DOOR CORNICE 'E' DETAIL

A550-402



MWA JOB #: 200807
 REVISION

TREME/LAFITTE AND TULANE GRAVIER HOME BUILDING PLAN

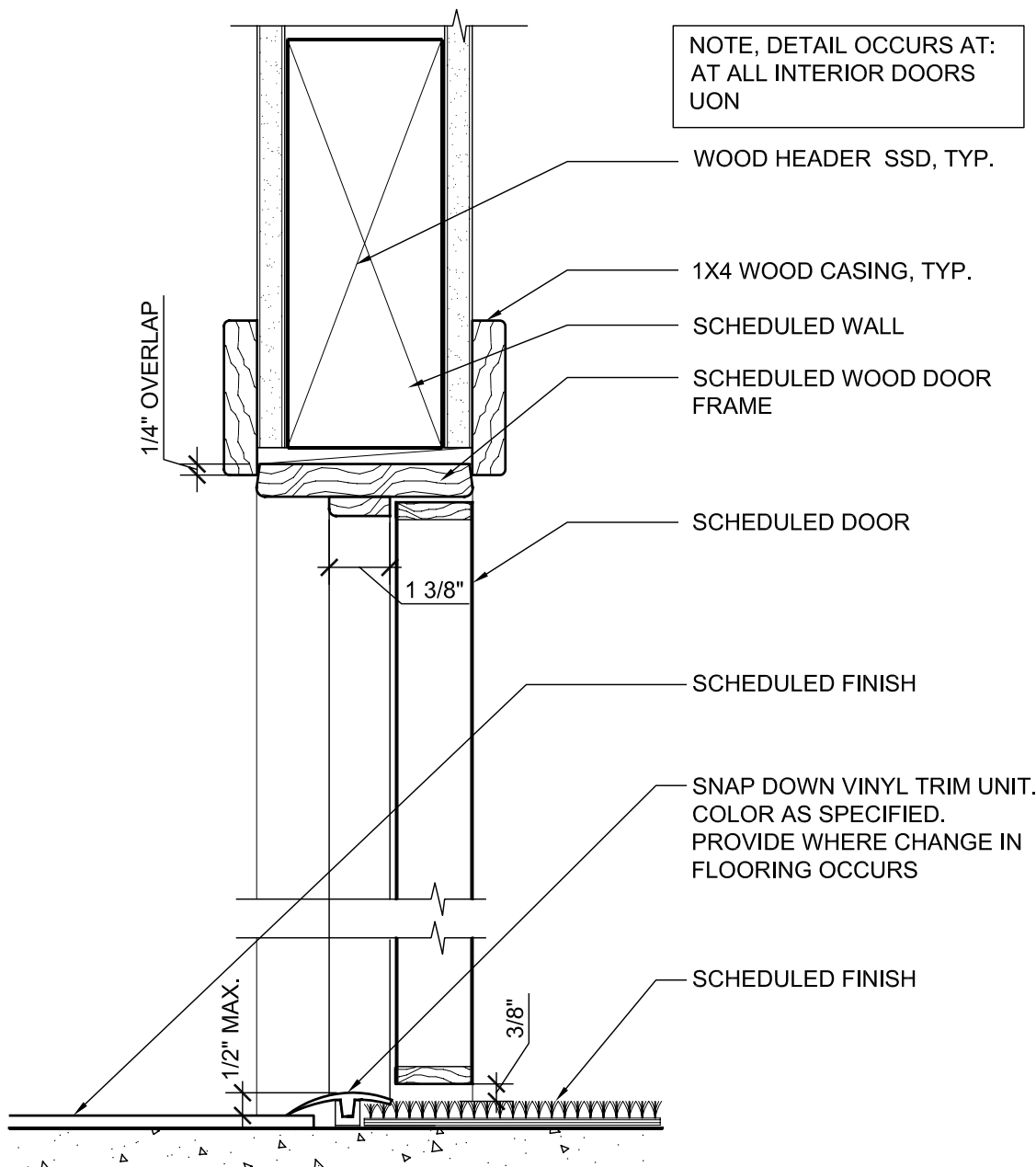
NEW ORLEANS, LOUISIANA

DOOR CORNICE 'F' DETAILS

DATE: 10/14/08

SCALE: 6"=1'-0"

A550-403



NOTE, DETAIL OCCURS AT:
AT ALL INTERIOR DOORS
UON

WOOD HEADER SSD, TYP.

1X4 WOOD CASING, TYP.

SCHEDULED WALL

SCHEDULED WOOD DOOR
FRAME

SCHEDULED DOOR

SCHEDULED FINISH

SNAP DOWN VINYL TRIM UNIT.
COLOR AS SPECIFIED.
PROVIDE WHERE CHANGE IN
FLOORING OCCURS

SCHEDULED FINISH

1/4" OVERLAP

1 3/8"

1/2" MAX.

3/8"



MWA JOB #: 200807

REVISION:
-

TREME/LAFITTE AND TULANE GRAVIER HOME
BUILDING PLAN
NEW ORLEANS, LOUISIANA

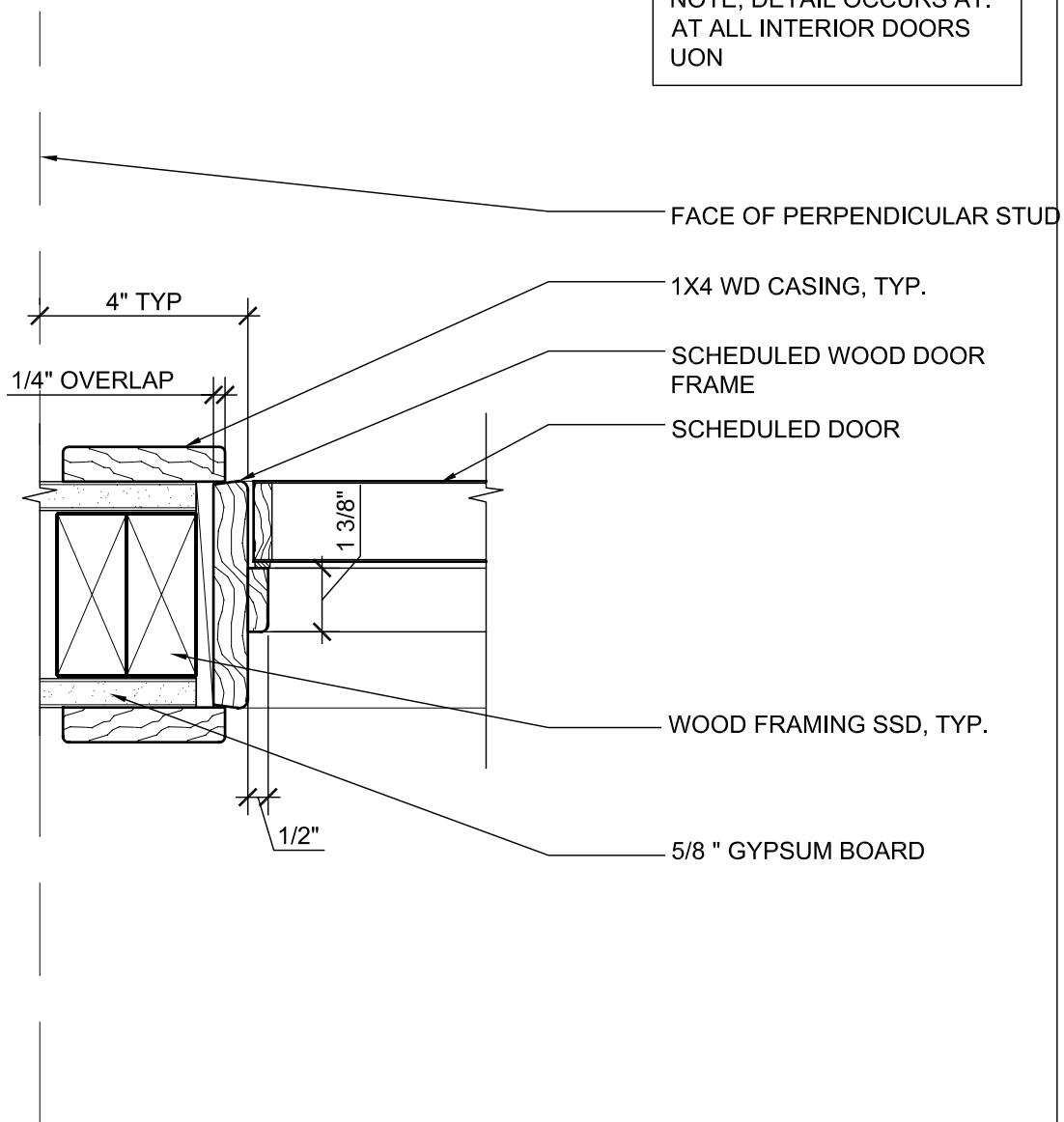
DATE: 10/14/08

SCALE: 3" = 1'-0"

INTERIOR WD DOOR FRAME HEAD
& SILL

A550-501

NOTE, DETAIL OCCURS AT:
AT ALL INTERIOR DOORS
UON



MWA JOB #: 200807

REVISION:
- -

TREME/LAFITTE AND TULANE GRAVIER HOME
BUILDING PLAN
NEW ORLEANS, LOUISIANA

DATE: 10/14/08

SCALE: 3" = 1'-0"

INTERIOR WD DOOR FRAME JAMB

A550-502