

**Michael
Willis
Architects**



MWA JOB #: 200807

REVISION:
- -

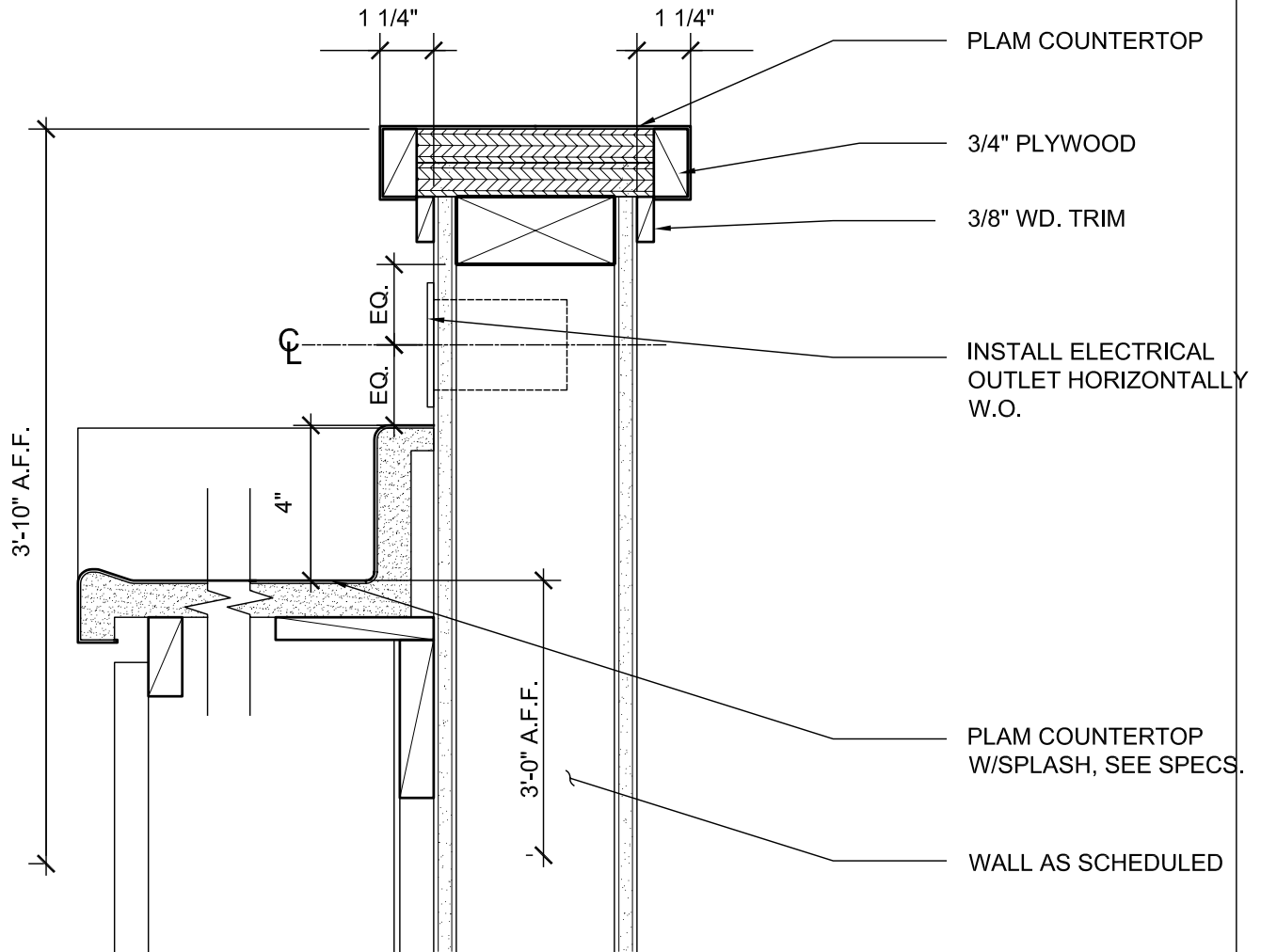
TREME/LAFITTE AND TULANE GRAVIER HOME
BUILDING PLAN
NEW ORLEANS, LOUISIANA

PASS-THROUGH KITCHEN
COUNTER

DATE: 10/14/08

SCALE: 3"=1'-0"

A560.001



**Michael
Willis
Architects**



MWA JOB #: 200807

REVISION:
- -

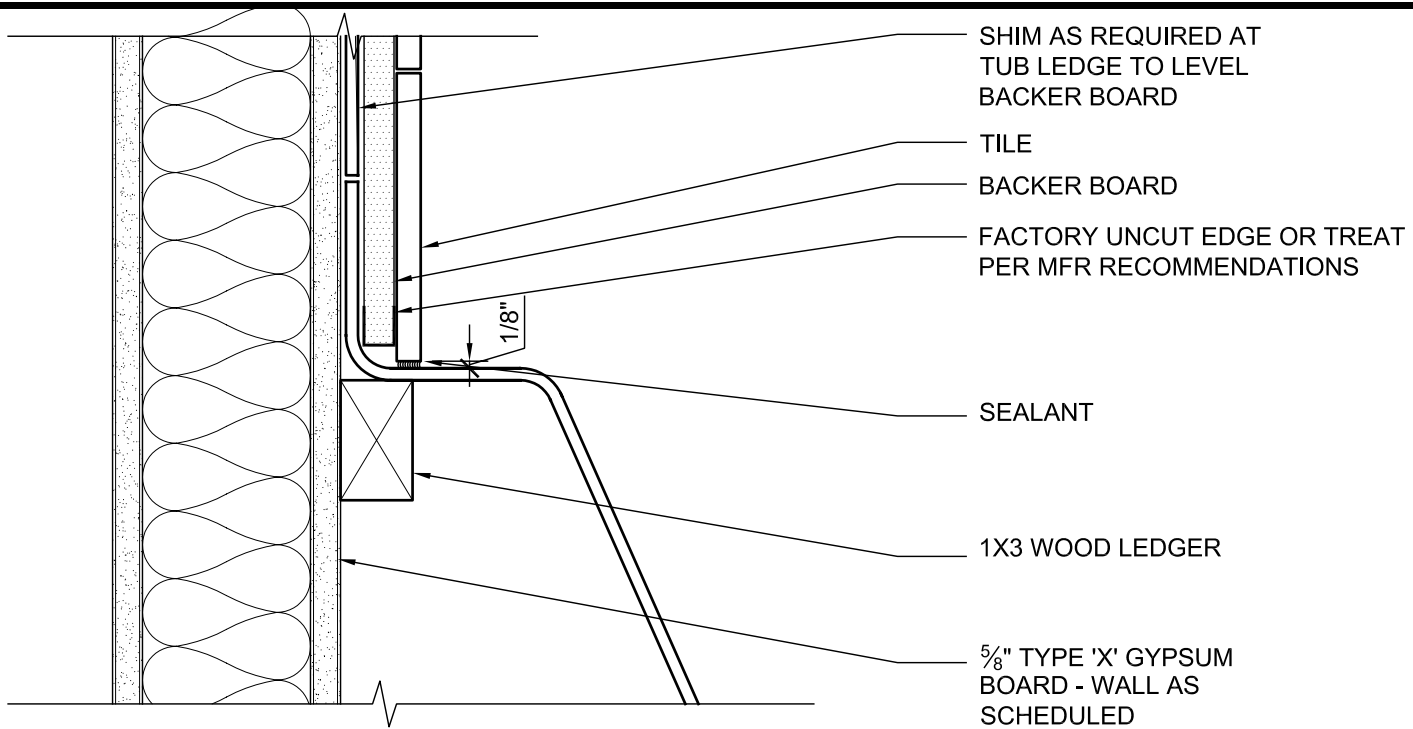
TREME/LAFITTE AND TULANE GRAVIER HOME
BUILDING PLAN
NEW ORLEANS, LOUISIANA

PASS-THROUGH KITCHEN
COUNTER

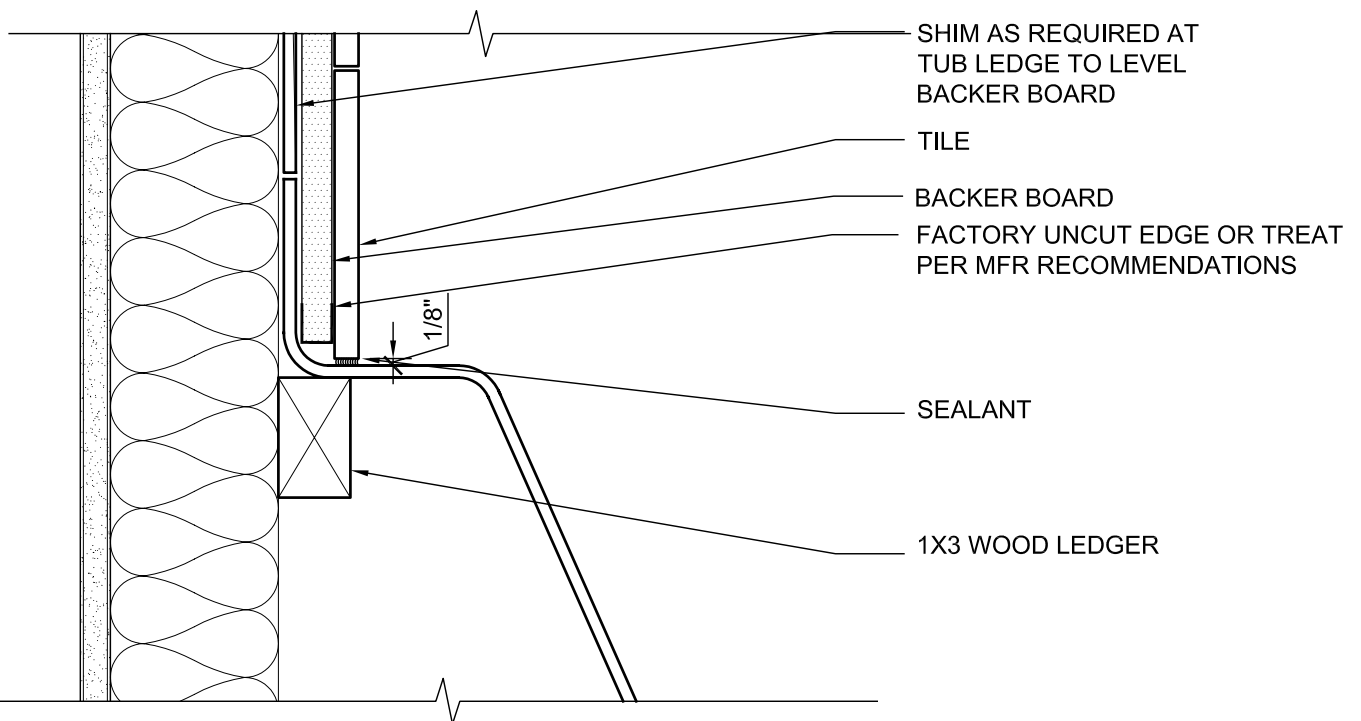
DATE: 10/14/08

SCALE: 3"=1'-0"

A560.002



B. SECT. DET OF TUB AT RATED WALL



A. SECT. DET OF TUB AT NON-RATED WALL



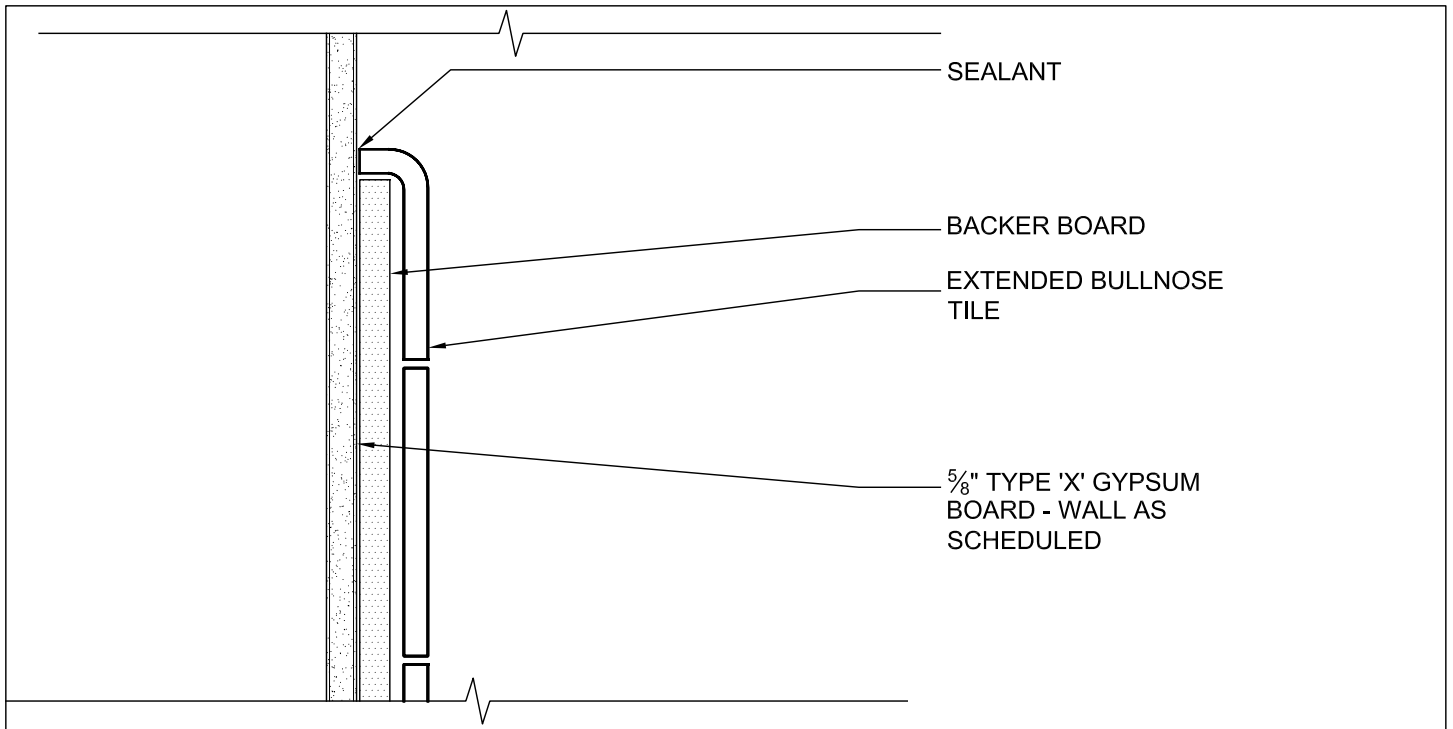
MWA JOB #: 200807
 REVISION: -

TREME/LAFITTE AND TULANE GRAVIER HOME
 BUILDING PLAN
 NEW ORLEANS, LOUISIANA

DATE: 10/14/08
 SCALE: 3"=1'-0"

TILE SURROUND AT TUB

A560.101



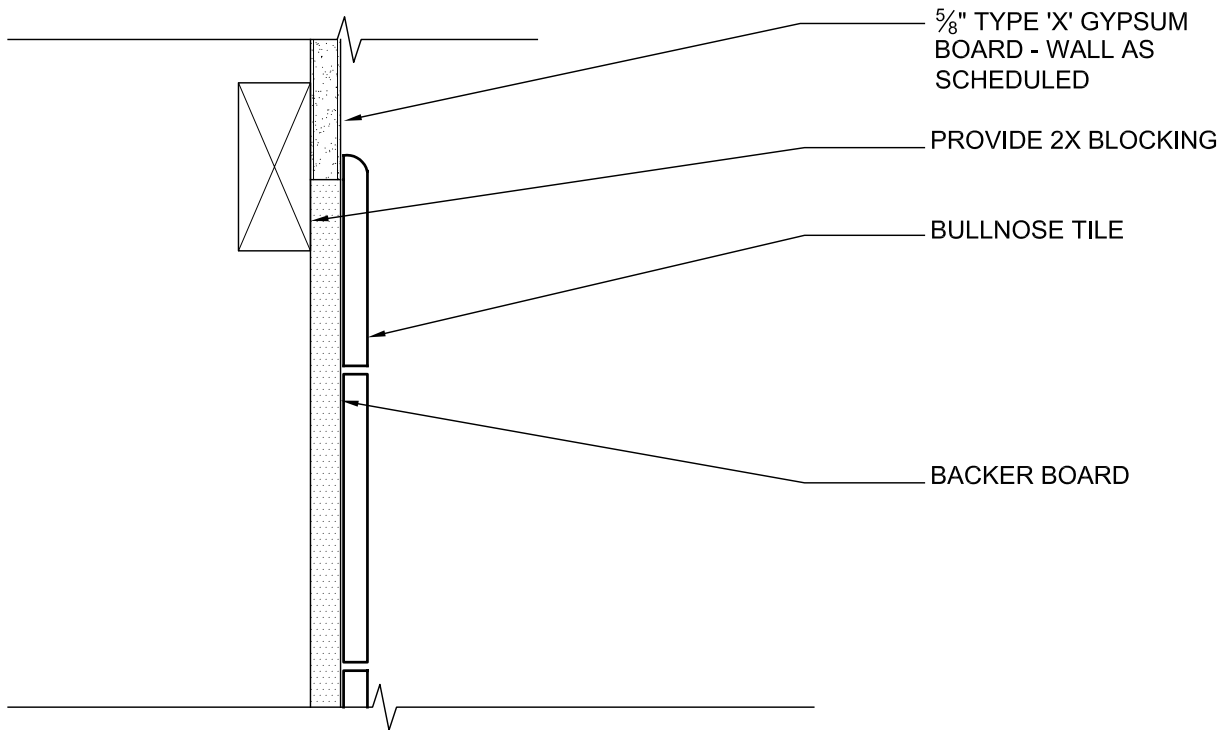
SEALANT

BACKER BOARD

EXTENDED BULLNOSE
TILE

5/8" TYPE 'X' GYPSUM
BOARD - WALL AS
SCHEDULED

B. SECT. DET OF TUB AT RATED WALL



5/8" TYPE 'X' GYPSUM
BOARD - WALL AS
SCHEDULED

PROVIDE 2X BLOCKING

BULLNOSE TILE

BACKER BOARD

A. SECT. DET OF TUB AT NON-RATED WALL

**Michael
Willis
Architects**



MWA JOB #: 200807

REVISION:
- -

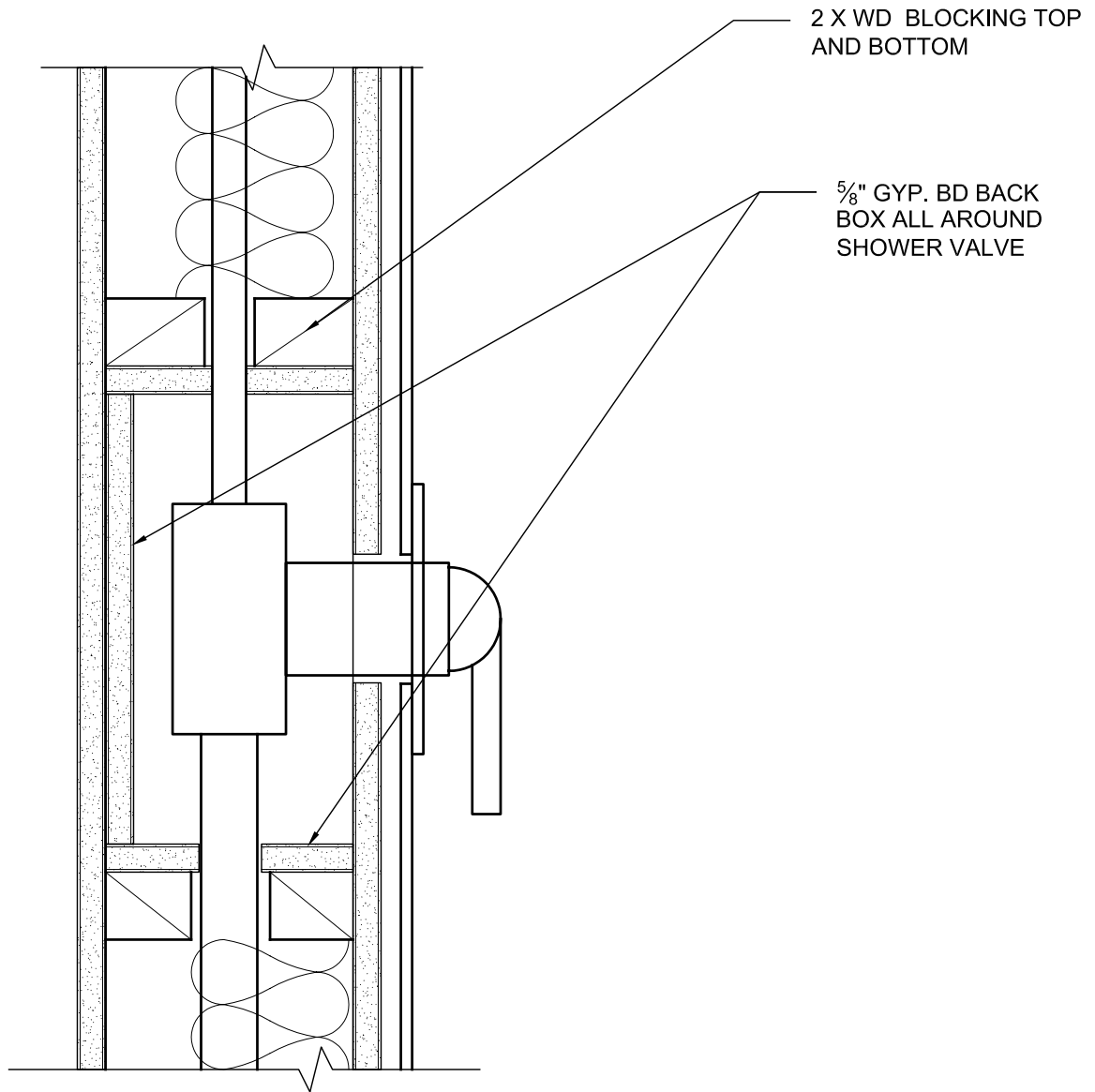
TREME/LAFITTE AND TULANE GRAVIER HOME
BUILDING PLAN
NEW ORLEANS, LOUISIANA

DATE: 10/14/08

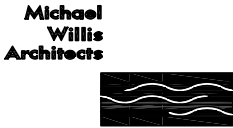
SCALE: 3"=1'-0"

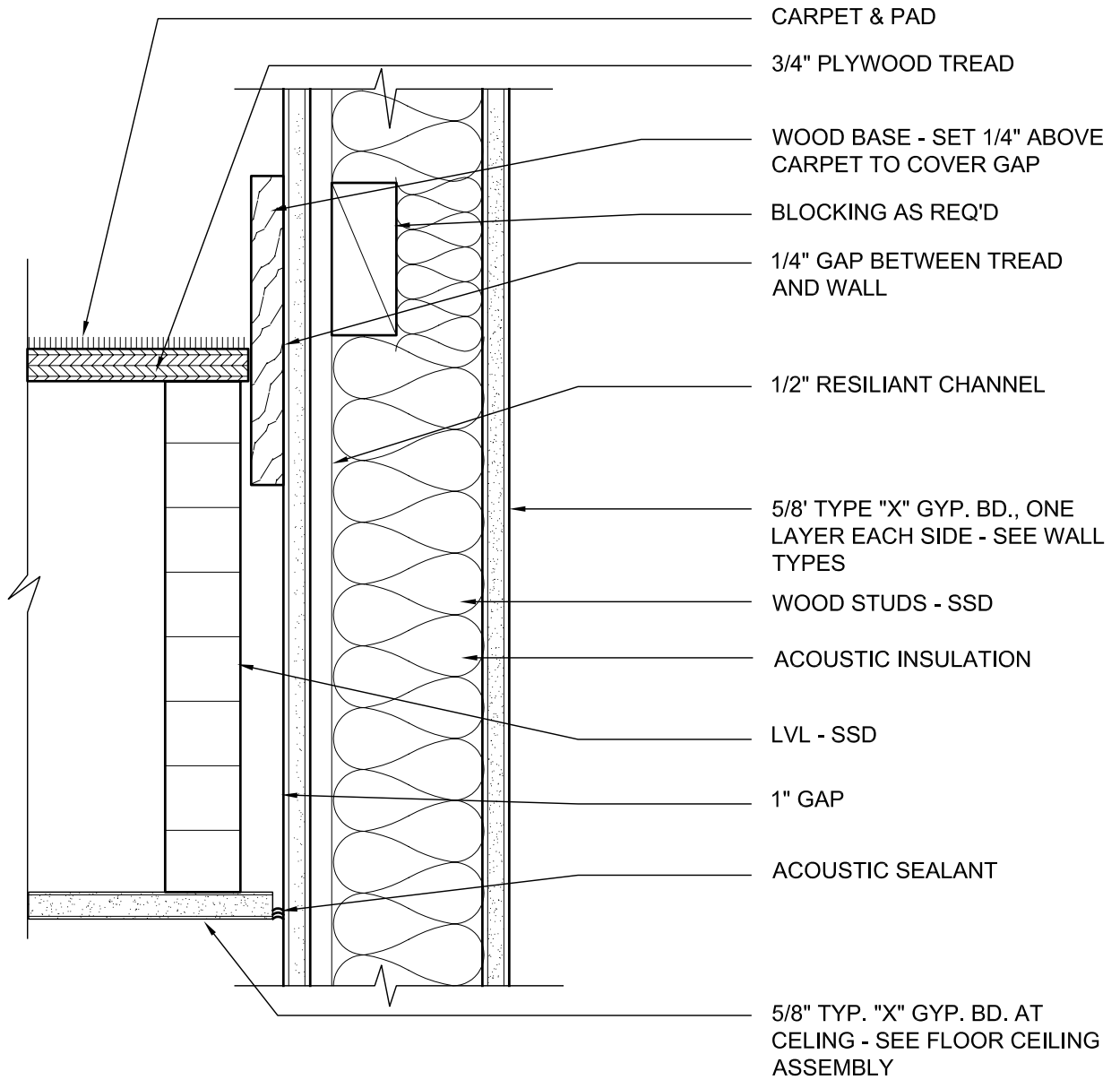
DETAIL OF TILE AT TUB WALL

A560.102



A. BACK BOX SHOWER VALVES AT SINGLE WALL

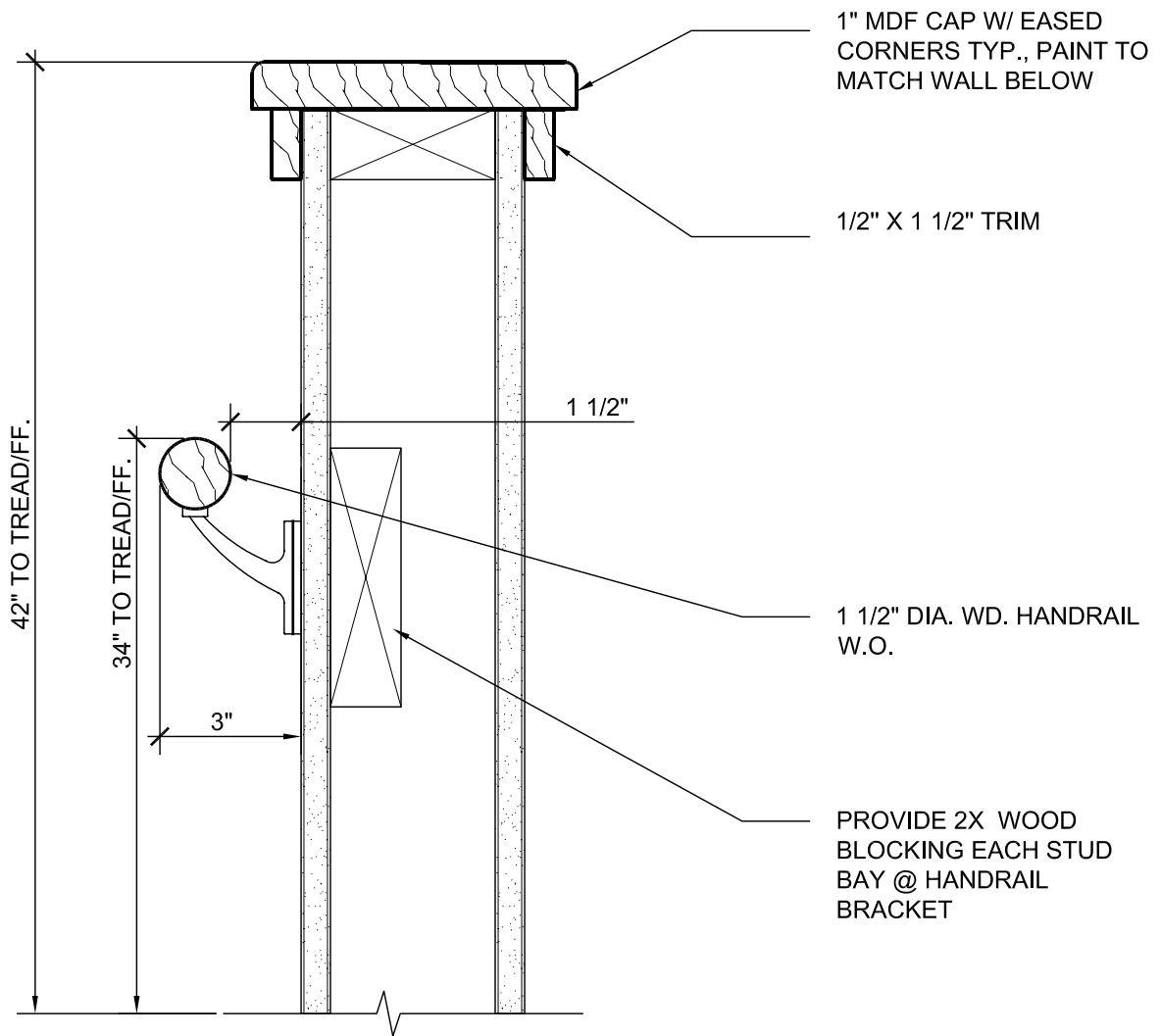
	MWA JOB #: 200807	TREME/LAFITTE AND TULANE GRAVIER HOME	DATE: 10/14/08
	REVISION: - -	BUILDING PLAN NEW ORLEANS, LOUISIANA	SCALE: 3"=1'-0"
BACK BOX OF CONTROLS AT RATED WALLS			A560.111



MWA JOB #: 200807
 REVISION:
 -

TREME/LAFITTE AND TULANE GRAVIER HOME
 BUILDING PLAN
 NEW ORLEANS, LOUISIANA
 STAIR STRINGER AT CORRIDOR
 WALL

DATE: 10/14/08
 SCALE: 3"=1'-0"
 A560.201



**Michael
Willis
Architects**



MWA JOB #: 200807

REVISION:
- -

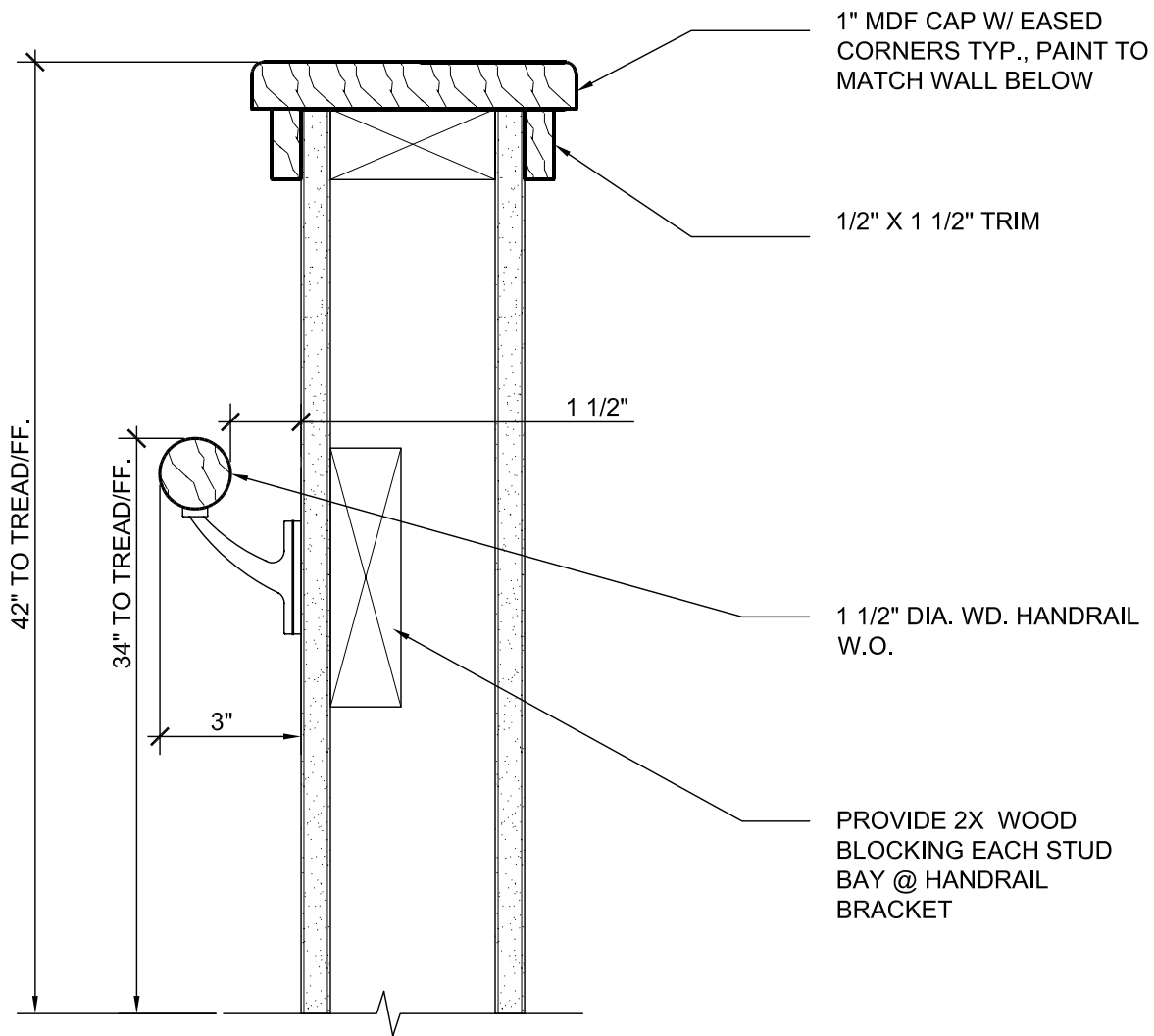
TREME/LAFITTE AND TULANE GRAVIER HOME
BUILDING PLAN
NEW ORLEANS, LOUISIANA

TYPICAL STAIR STRINGER AT
WALL

DATE: 10/14/08

SCALE: 1 1/2"=1'-0"

A560.202



**Michael
Willis
Architects**



MWA JOB #: 200807

REVISION:
- -

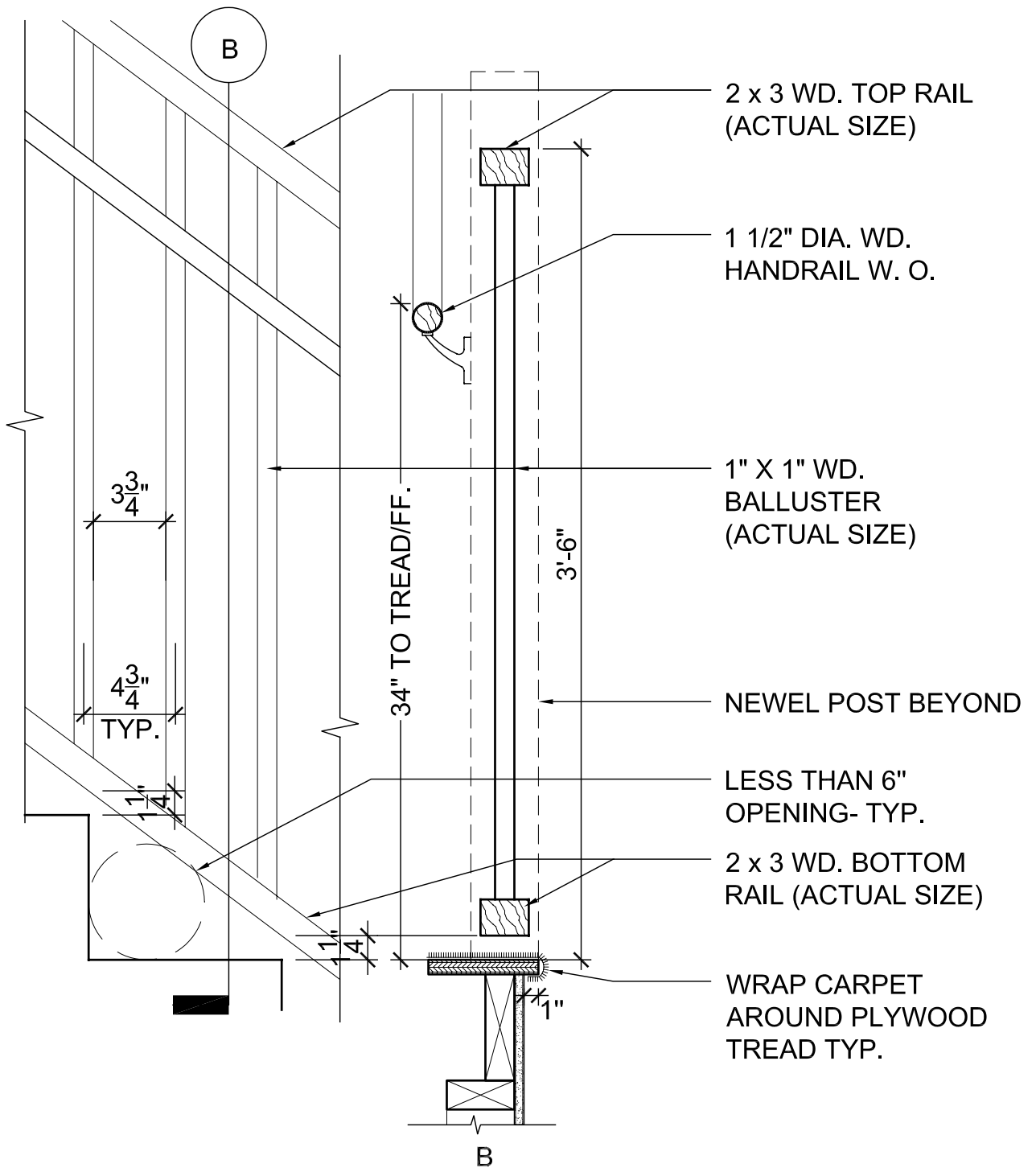
TREME/LAFITTE AND TULANE GRAVIER HOME
BUILDING PLAN
NEW ORLEANS, LOUISIANA

STAIR GUARDRAIL WITH WOOD
CAP

DATE: 10/14/08

SCALE: 3"=1'-0"

A560.203



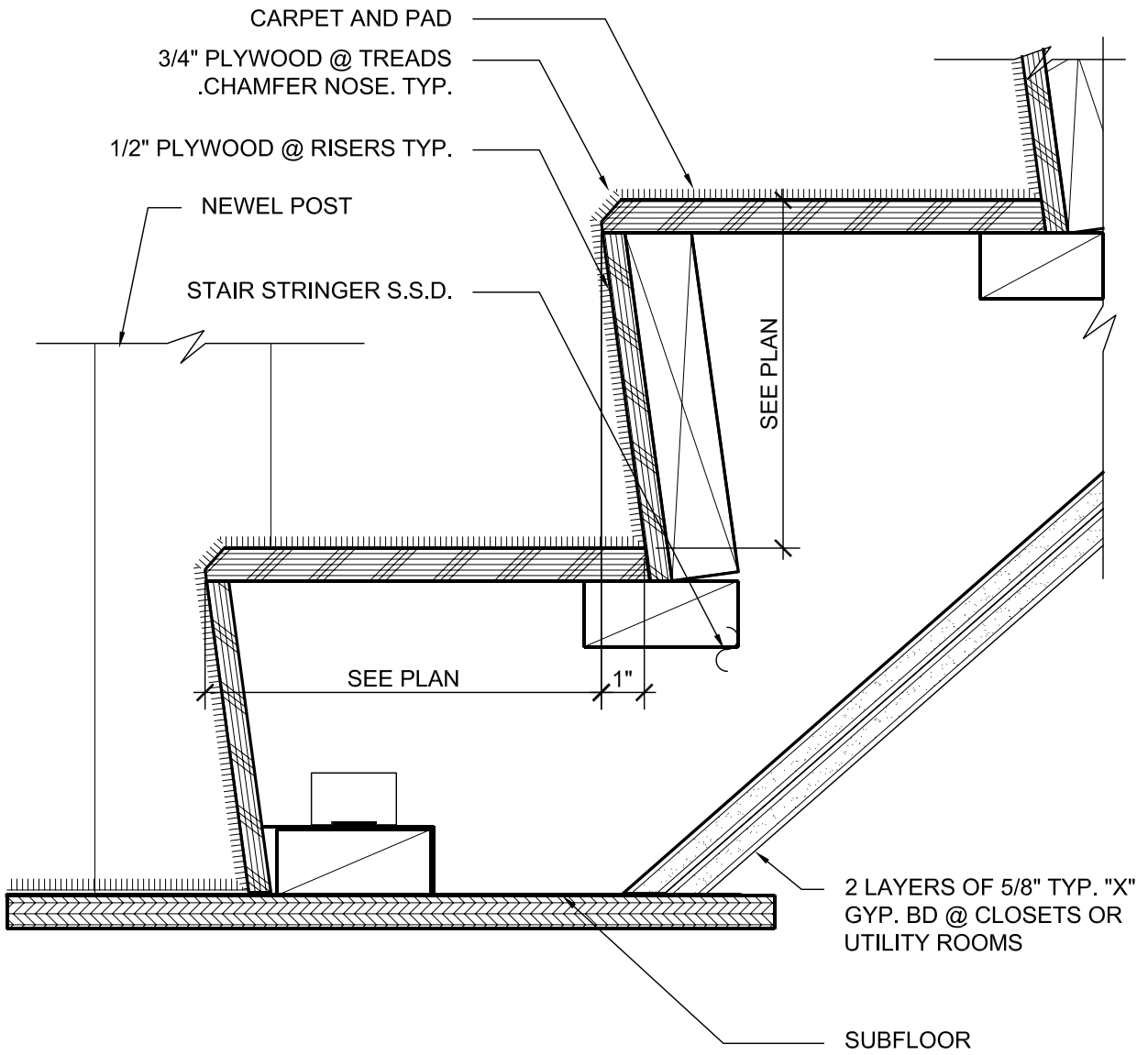
MWA JOB #: 200807
 REVISION: -

TREME/LAFITTE AND TULANE GRAVIER HOME
 BUILDING PLAN
 NEW ORLEANS, LOUISIANA

DATE: 10/14/08
 SCALE: 1/2"=1'-0"

STAIR BALLUSTER AND HANDRAIL

A560.204



MWA JOB #: 200807

REVISION:
- -

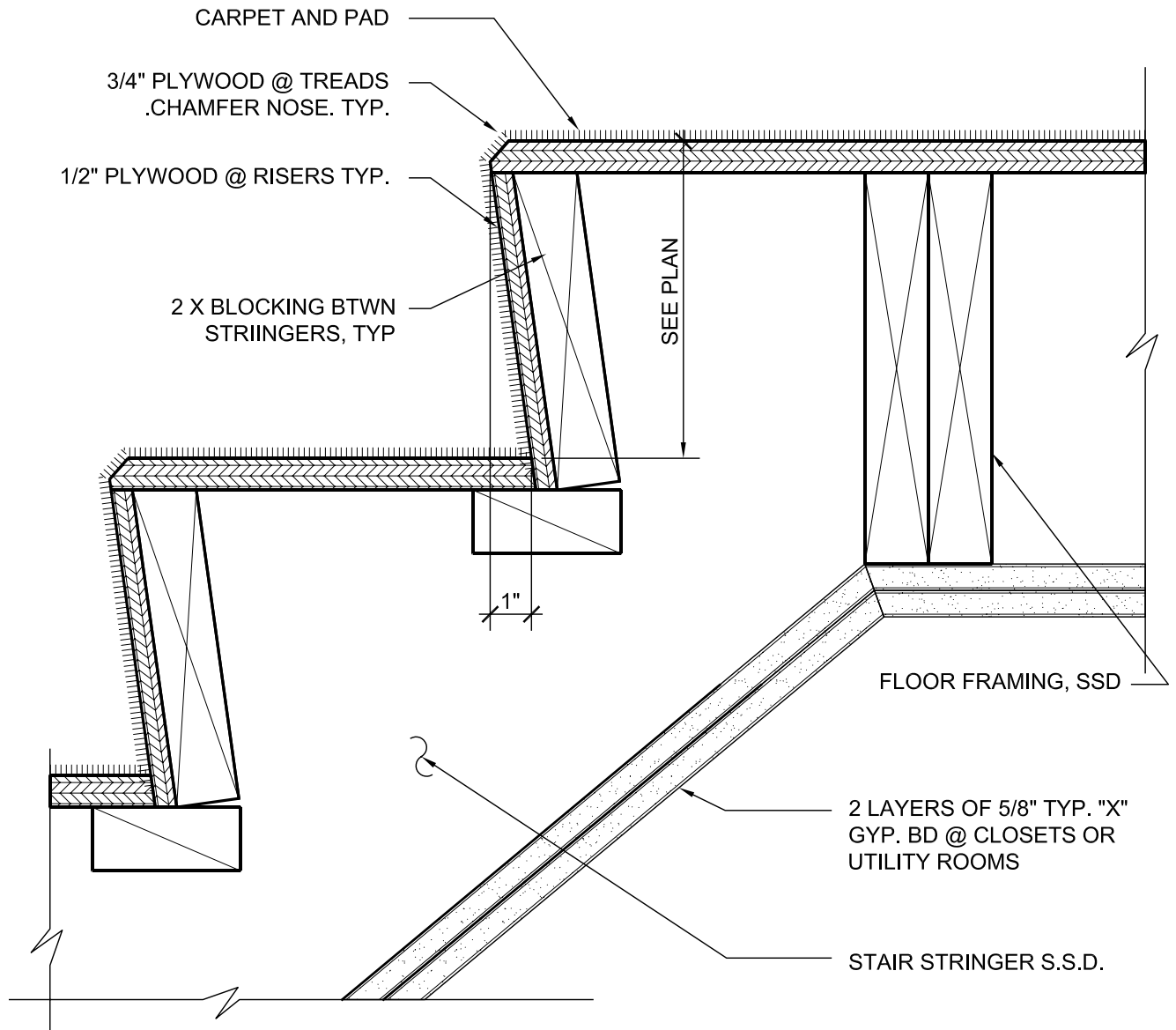
TREME/LAFITTE AND TULANE GRAVIER HOME
BUILDING PLAN
NEW ORLEANS, LOUISIANA

DATE: 10/14/08

SCALE: 3"=1'-0"

STAIR STRINGER AT FLOOR

A560.205



MWA JOB #: 200807

REVISION:
- -

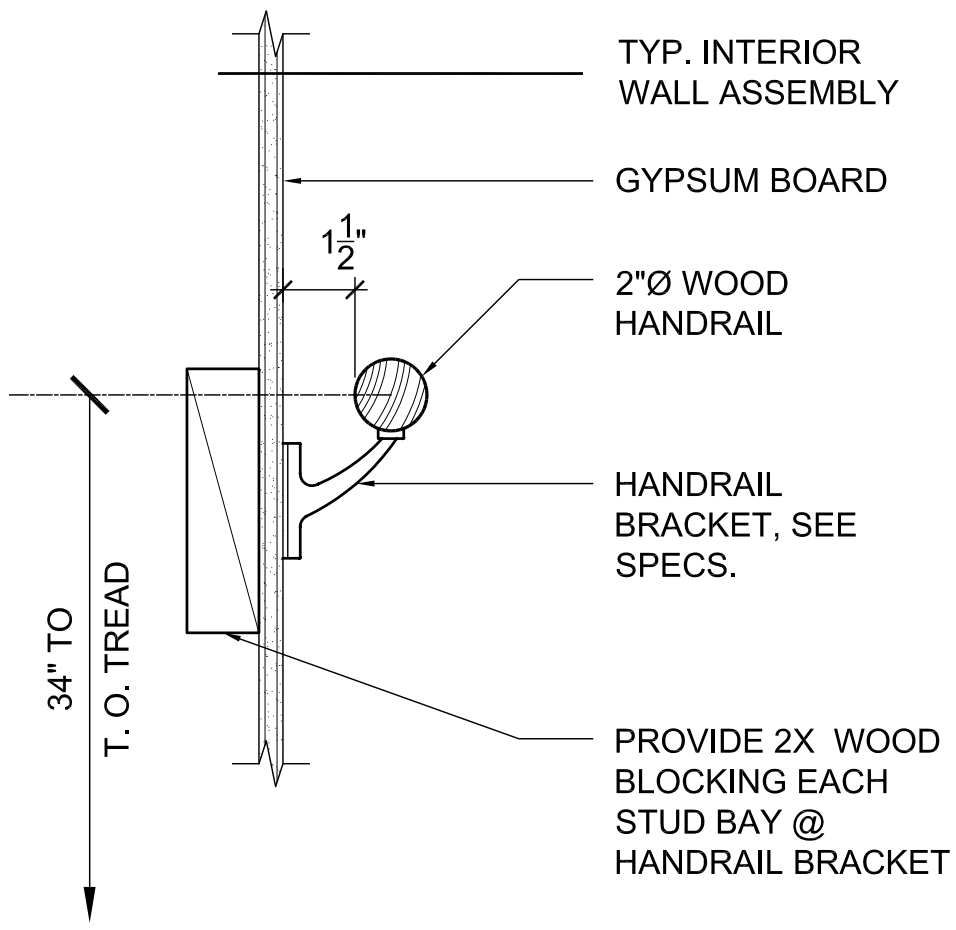
TREME/LAFITTE AND TULANE GRAVIER HOME
BUILDING PLAN
NEW ORLEANS, LOUISIANA

DATE: 10/14/08

SCALE: 3"=1'-0"

STAIR RISER AT LANDING

A560.206



34" TO
T. O. TREAD

TYP. INTERIOR
WALL ASSEMBLY

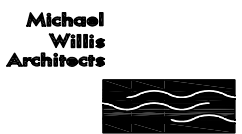
GYPSUM BOARD

1 1/2"

2"Ø WOOD
HANDRAIL

HANDRAIL
BRACKET, SEE
SPECS.

PROVIDE 2X WOOD
BLOCKING EACH
STUD BAY @
HANDRAIL BRACKET



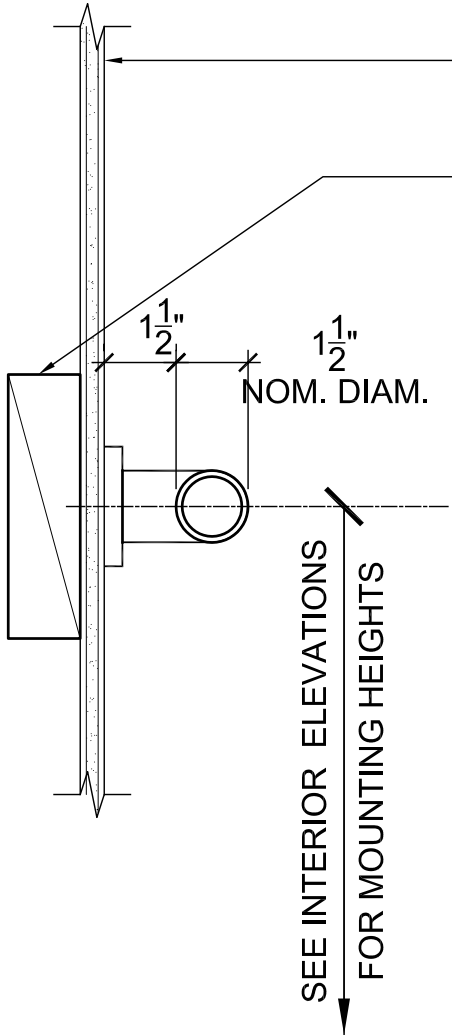
MWA JOB #: 200807
REVISION:
- -

TREME/LAFITTE AND TULANE GRAVIER HOME
BUILDING PLAN
NEW ORLEANS, LOUISIANA

DATE: 10/14/08
SCALE: ViewportScale

TYPICAL INTERIOR HANDRAIL
BRACKET DETAIL

A560.301



TYP. INTERIOR WALL ASSEMBLY AS INDICATED

PROVIDE 2X WOOD BLOCKING EA STUD BAY @ GRAB BAR BRACKETS, TYP. SEE DETAIL A560-501 FOR TYP. BLOCKING DETAIL

SEE INTERIOR ELEVATIONS FOR MOUNTING HEIGHTS



MWA JOB #: 200807

REVISION:
- -

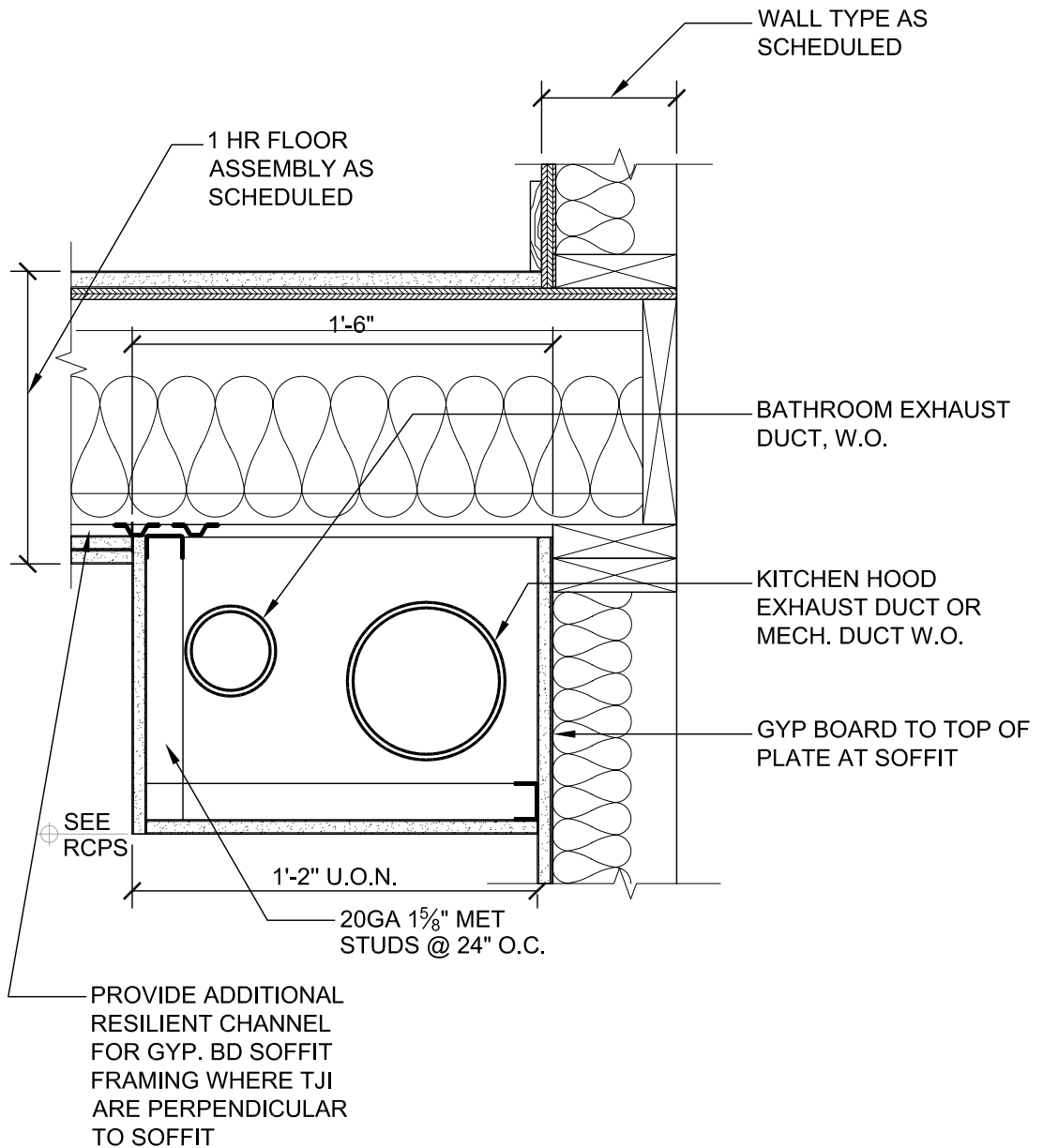
TREME/LAFITTE AND TULANE GRAVIER HOME
BUILDING PLAN
NEW ORLEANS, LOUISIANA

DATE: 10/14/08

SCALE: ViewportScale

TYP. GRAB BAR DETAIL

A560.311



SEE DETAIL A560-401A
WHERE RATED FLOOR
ASSYMBLY OCCURS



MWA JOB #: 200807

REVISION:
- -

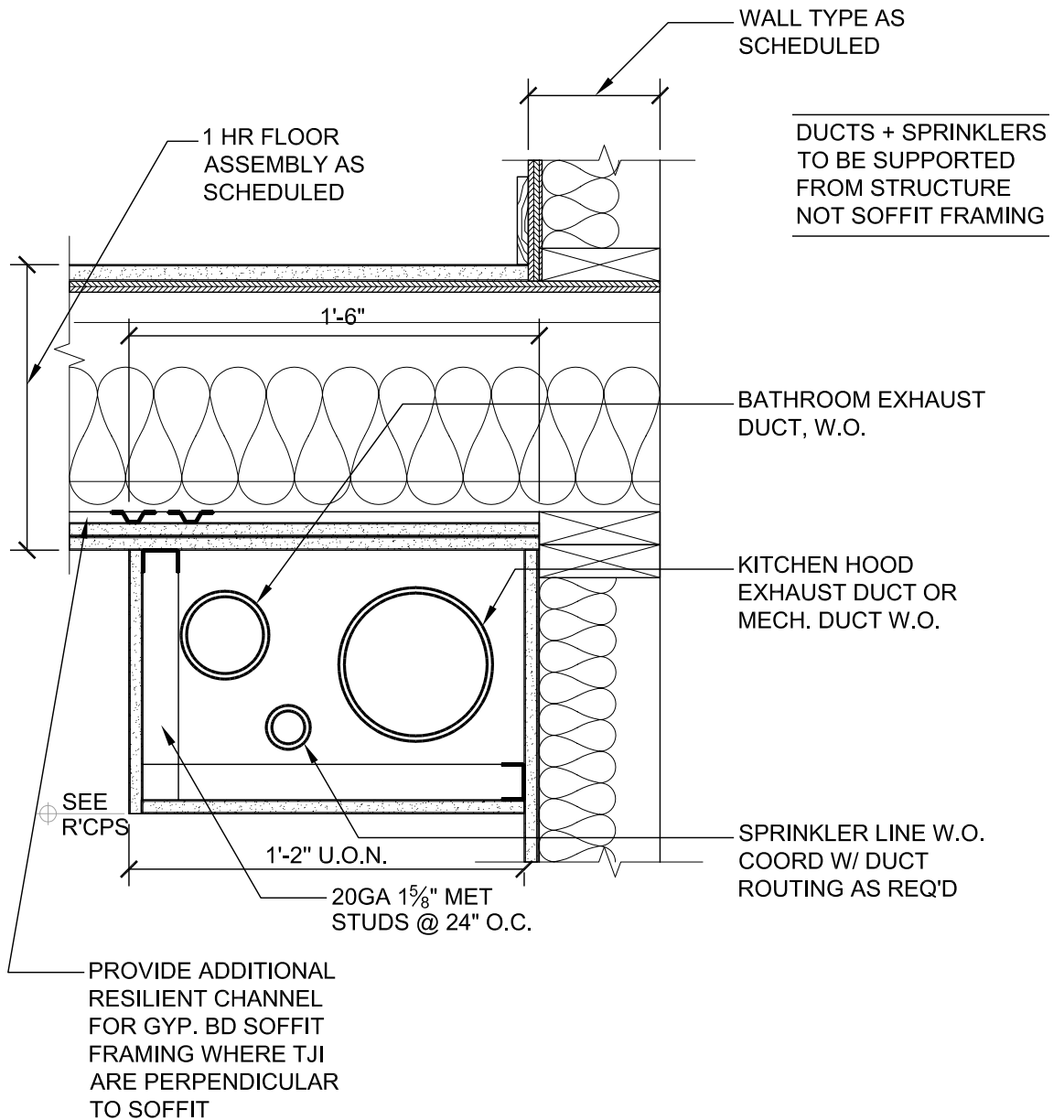
TREME/LAFITTE AND TULANE GRAVIER HOME
BUILDING PLAN
NEW ORLEANS, LOUISIANA

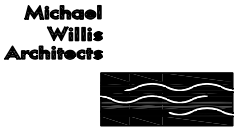
DATE: 10/14/08

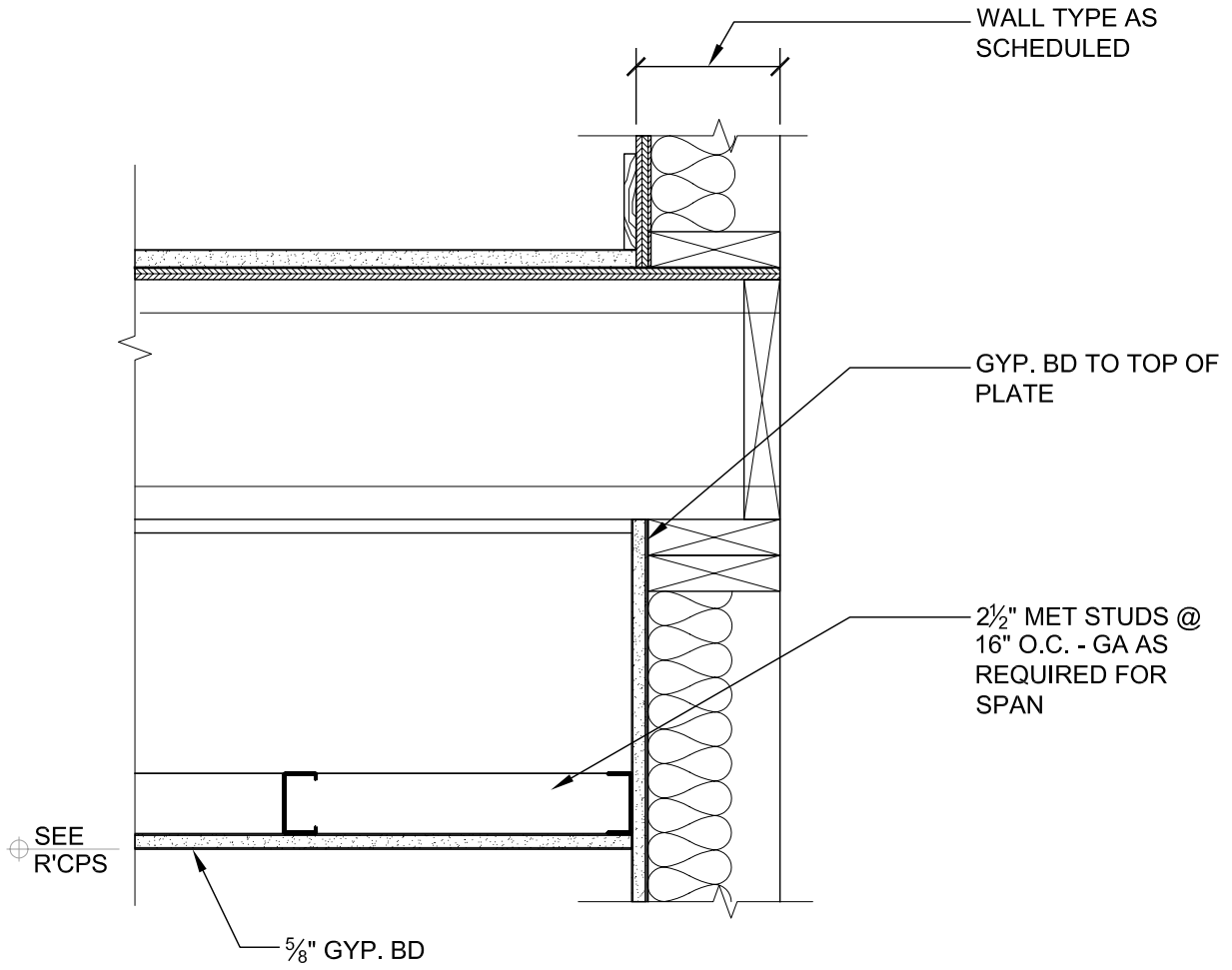
SCALE: 1 1/2"=1'-0"

SECTION DETAIL OF SOFFIT AT
DUCTS @ NR FLOOR

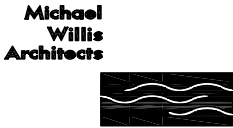
A560.401

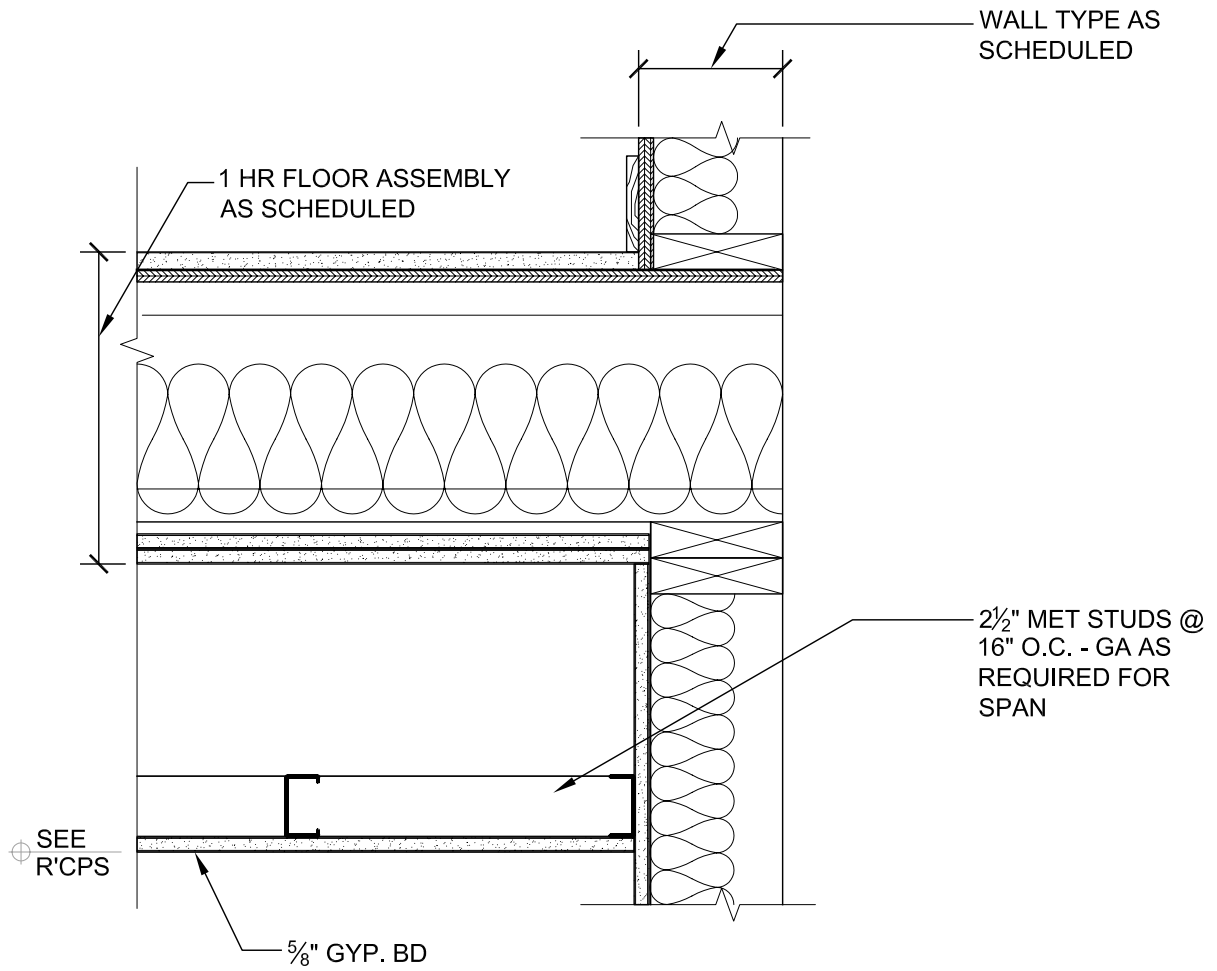


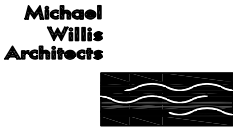
	MWA JOB #: 200807	TREME/LAFITTE AND TULANE GRAVIER HOME BUILDING PLAN NEW ORLEANS, LOUISIANA	DATE: 10/14/08
	REVISION: - -	SECTION DETAIL OF SOFFIT @ RATED FLOOR	SCALE: 1 1/2"=1'-0"



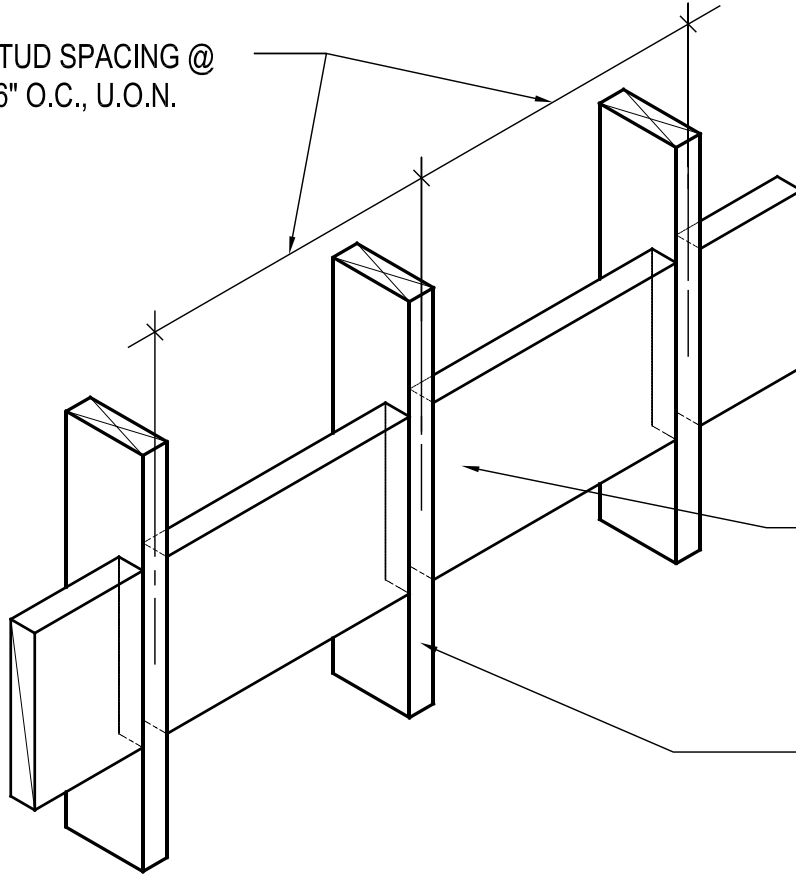
SEE DETAIL A560-402A
WHERE RATED FLOOR
ASSYMBLY OCCURS

	MWA JOB #: 200807	TREME/LAFITTE AND TULANE GRAVIER HOME	DATE: 10/14/08
	REVISION: -	BUILDING PLAN NEW ORLEANS, LOUISIANA	SCALE: 1-1/2"=1'-0"
SECTION DETAIL OF FRAMED CEILING @ NR FLOOR			A560.402



	MWA JOB #: 200807	TREME/LAFITTE AND TULANE GRAVIER HOME	DATE: 10/14/08
	REVISION: - -	BUILDING PLAN NEW ORLEANS, LOUISIANA	SCALE: 1 1/2"=1'-0"
		SECTION DETAIL FRAMED CEILING @ RATED FLOOR	A560.402A

STUD SPACING @
16" O.C., U.O.N.



TYP. WD. BLKG. -
2x10'S TOE NAILED

2x STUD, TYP.

NOTE: EXTEND BLKG.
A MIN. OF ONE STUD
BEYOND EDGE OF EQUIP.
OR CASEWORK, TYP.

**Michael
Willis
Architects**



MWA JOB #: 200807

REVISION:
- -

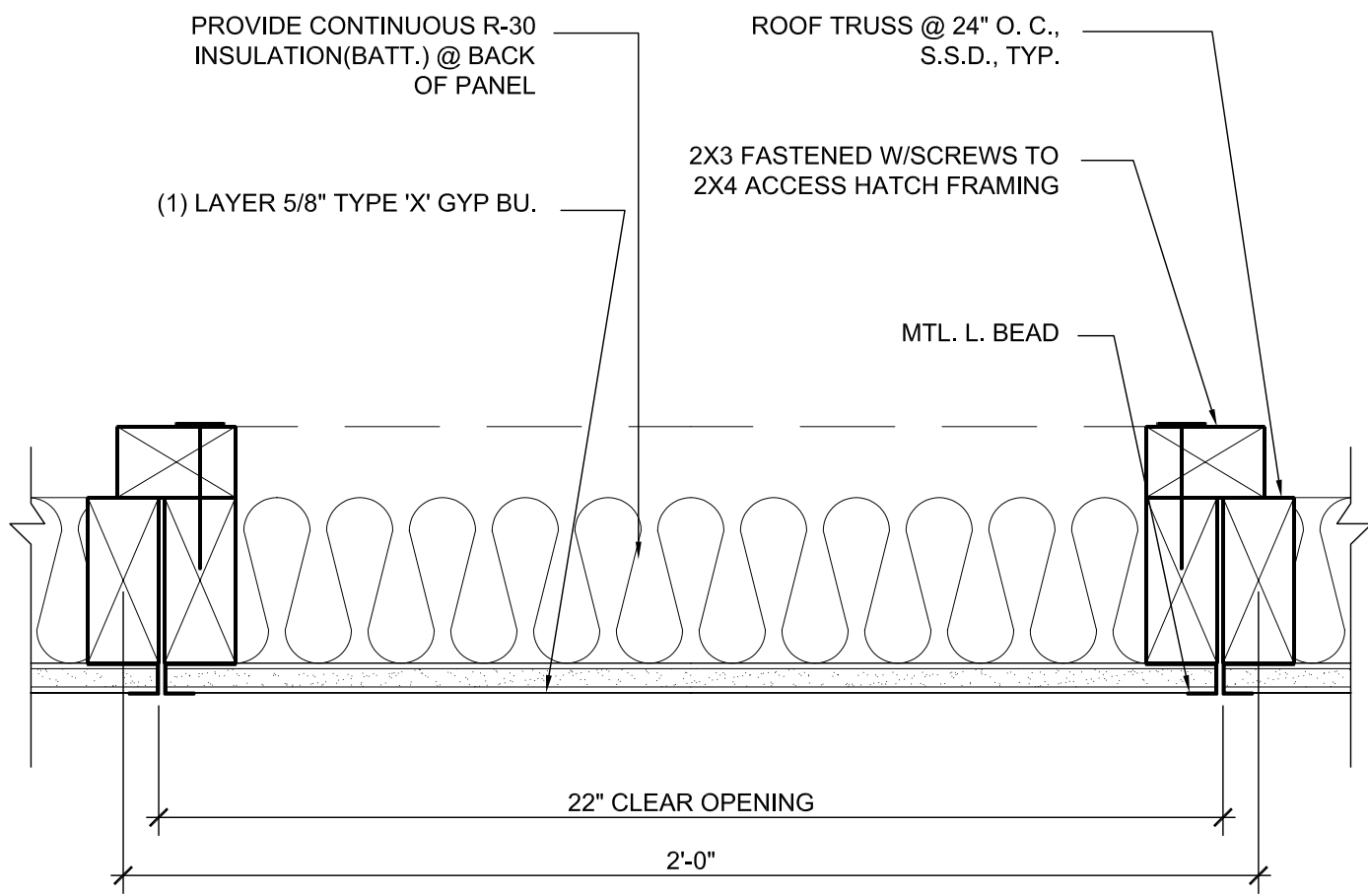
TREME/LAFITTE AND TULANE GRAVIER HOME
BUILDING PLAN
NEW ORLEANS, LOUISIANA

DATE: 10/14/08

SCALE: 1 1/2"=1'-0"


TYP. BACKING DETAIL

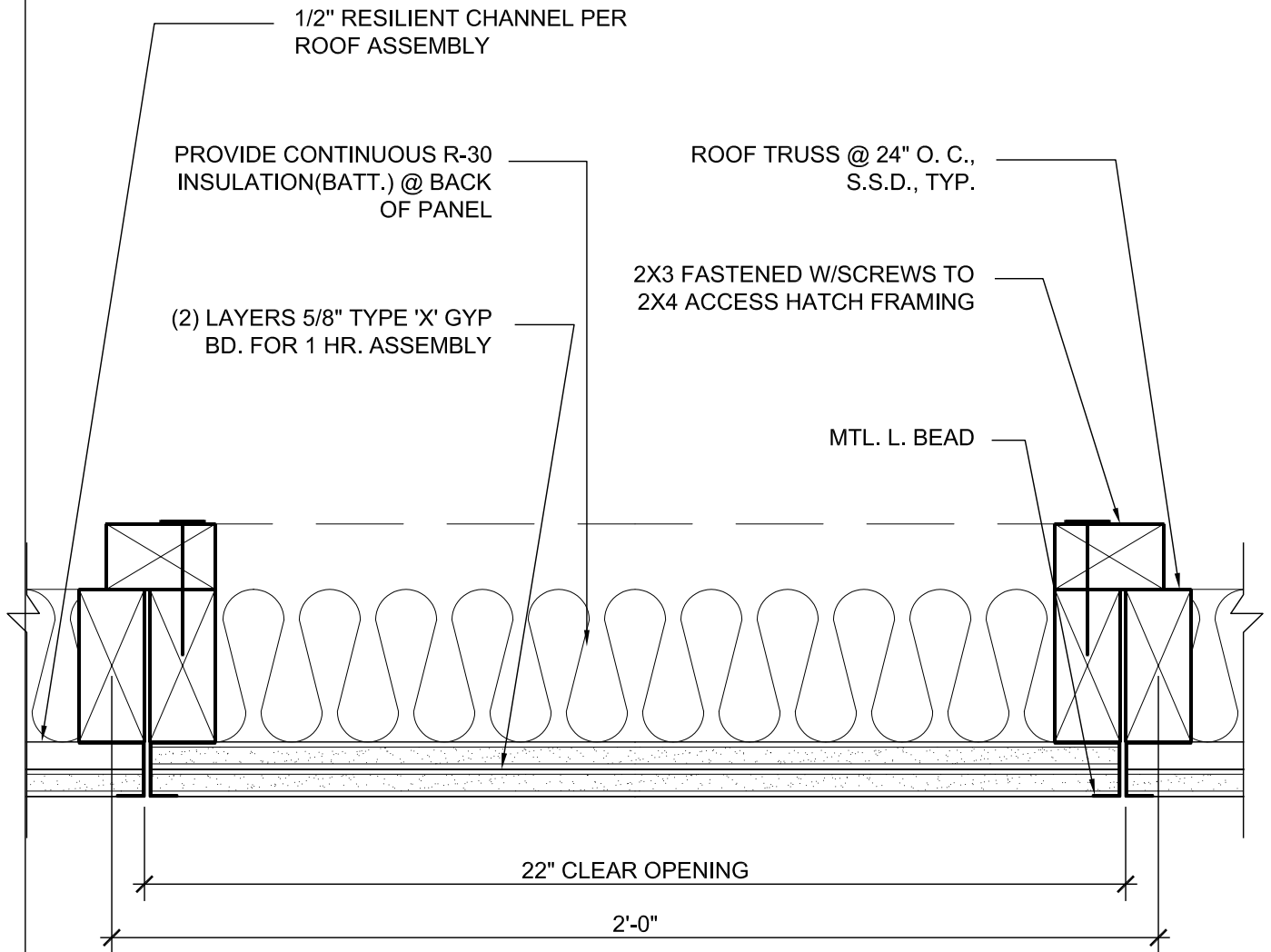
A560.501



NOTES:
 REMOVABLE ATTIC ACCESS PANEL (22" X 30" CLR. OPENING), TYP. SEE FLOOR PLANS FOR LOCATION

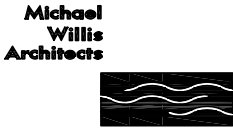
SEE A560-511 WHERE RATED ROOF ASSEMBLY OCCUR

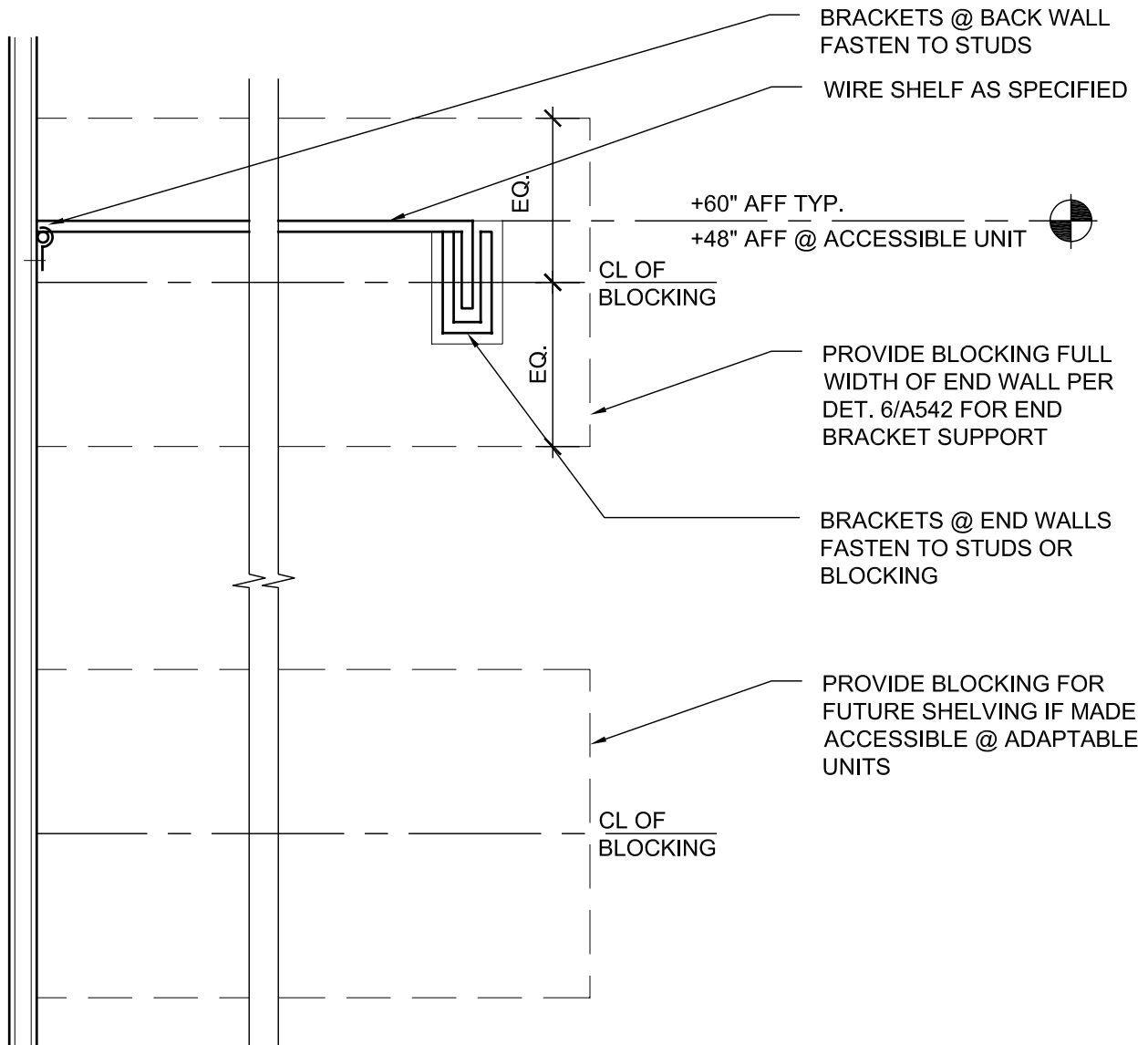
	MWA JOB #: 200807	TREME/LAFITTE AND TULANE GRAVIER HOME	DATE: 10/14/08
	REVISION: -	BUILDING PLAN NEW ORLEANS, LOUISIANA	SCALE: 3"=1'-0"
ATTIC ACCESS PANEL @ NON-RATED ROOF			A560.511



NOTES:
 REMOVABLE ATTIC ACCESS PANEL (22" X 30" CLR. OPENING), TYP. SEE FLOOR PLANS FOR LOCATION

1 HOUR PER G.A. FIRE RESISTANCE DESIGN MANUAL FILE NO. FC 5406 FOR 1 HR. ASSEMBLY

	MWA JOB #: 200807	TREME/LAFITTE AND TULANE GRAVIER HOME BUILDING PLAN NEW ORLEANS, LOUISIANA	DATE: 10/14/08
	REVISION: -	ATTIC ACCESS PANEL @ RATED ROOF	SCALE: 3"=1'-0"
			A560.512



**Michael
Willis
Architects**



MWA JOB #: 200807

REVISION:
- -

TREME/LAFITTE AND TULANE GRAVIER HOME
BUILDING PLAN
NEW ORLEANS, LOUISIANA

DATE: 10/14/08

SCALE: 3"=1'-0"

TYP. CLOSET SHELF DETAIL

A560.521