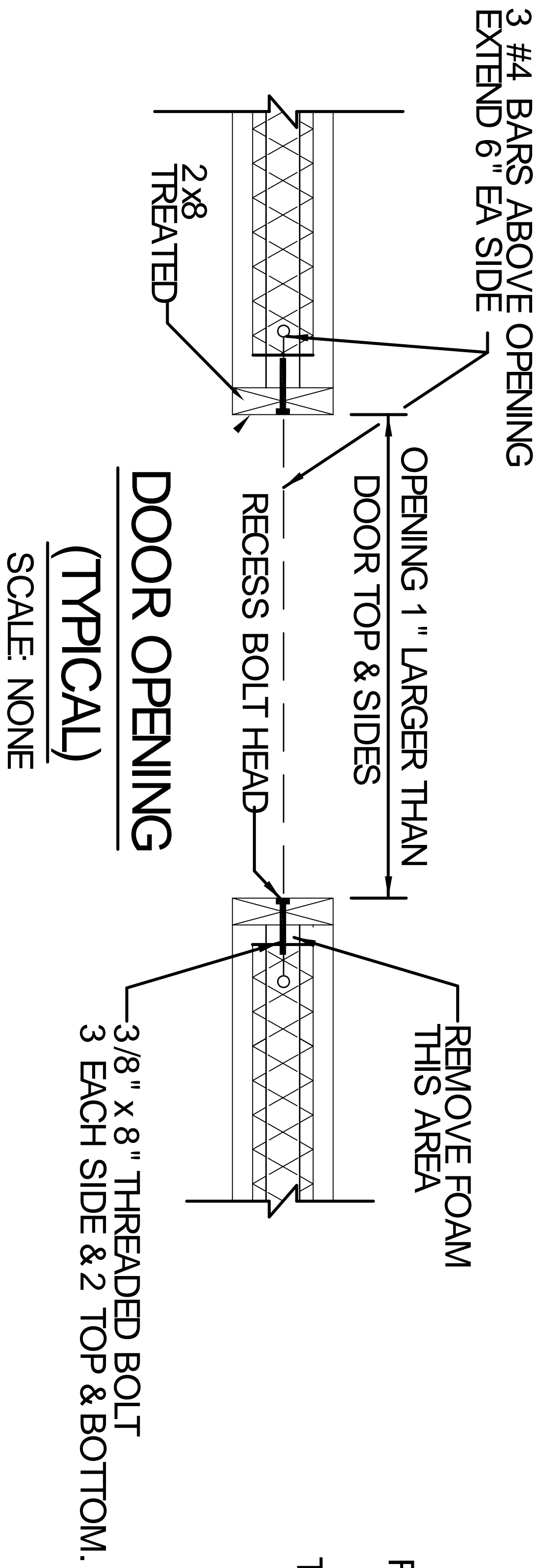
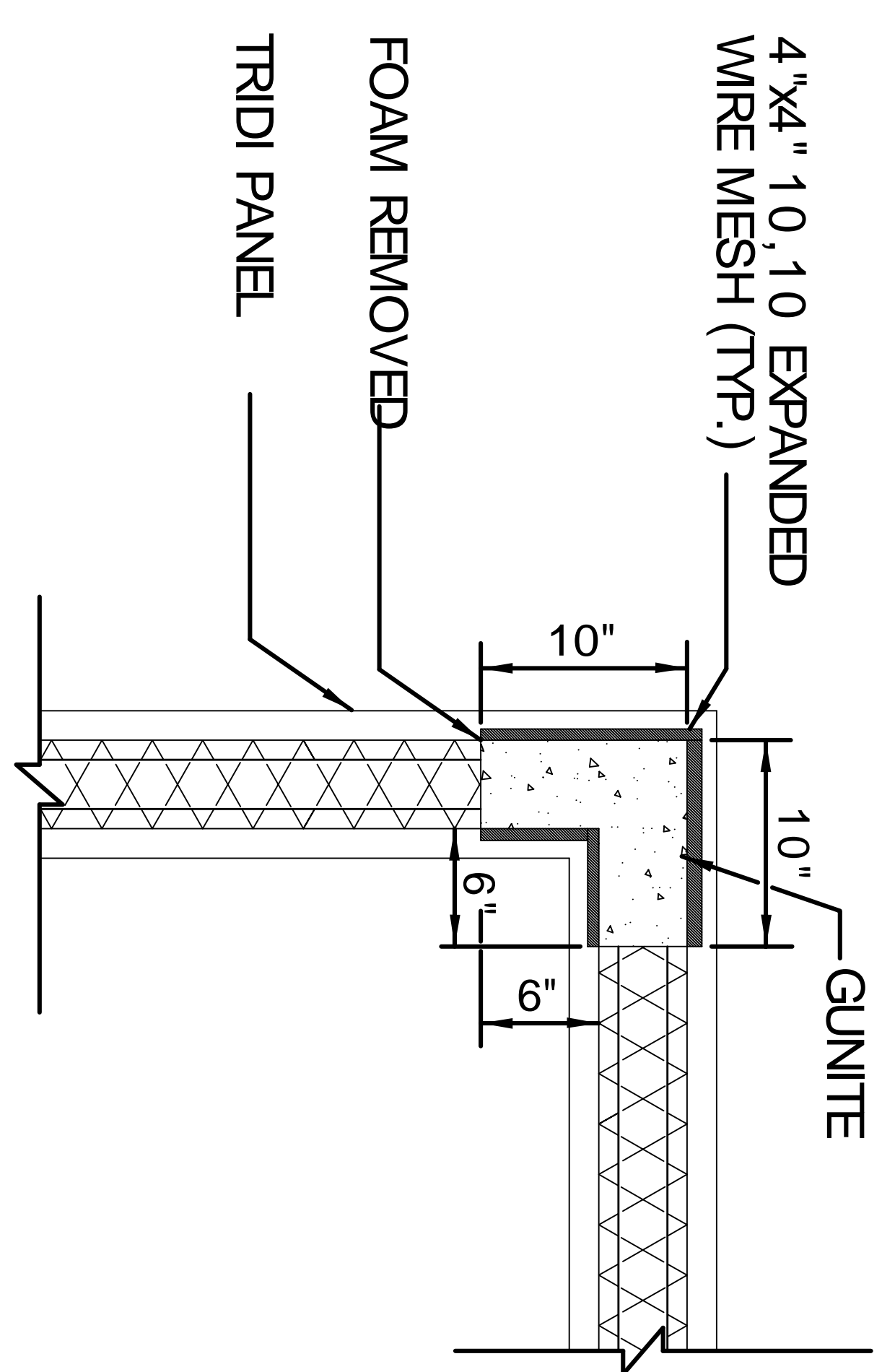


# FLOOR PLAN

SCALE 1/4" = 1'-0"



## DOOR OPENING (TYPICAL) SCALE: NONE



## CORNER CONNECTION (TYPICAL) SCALE: NONE

# RATINGS

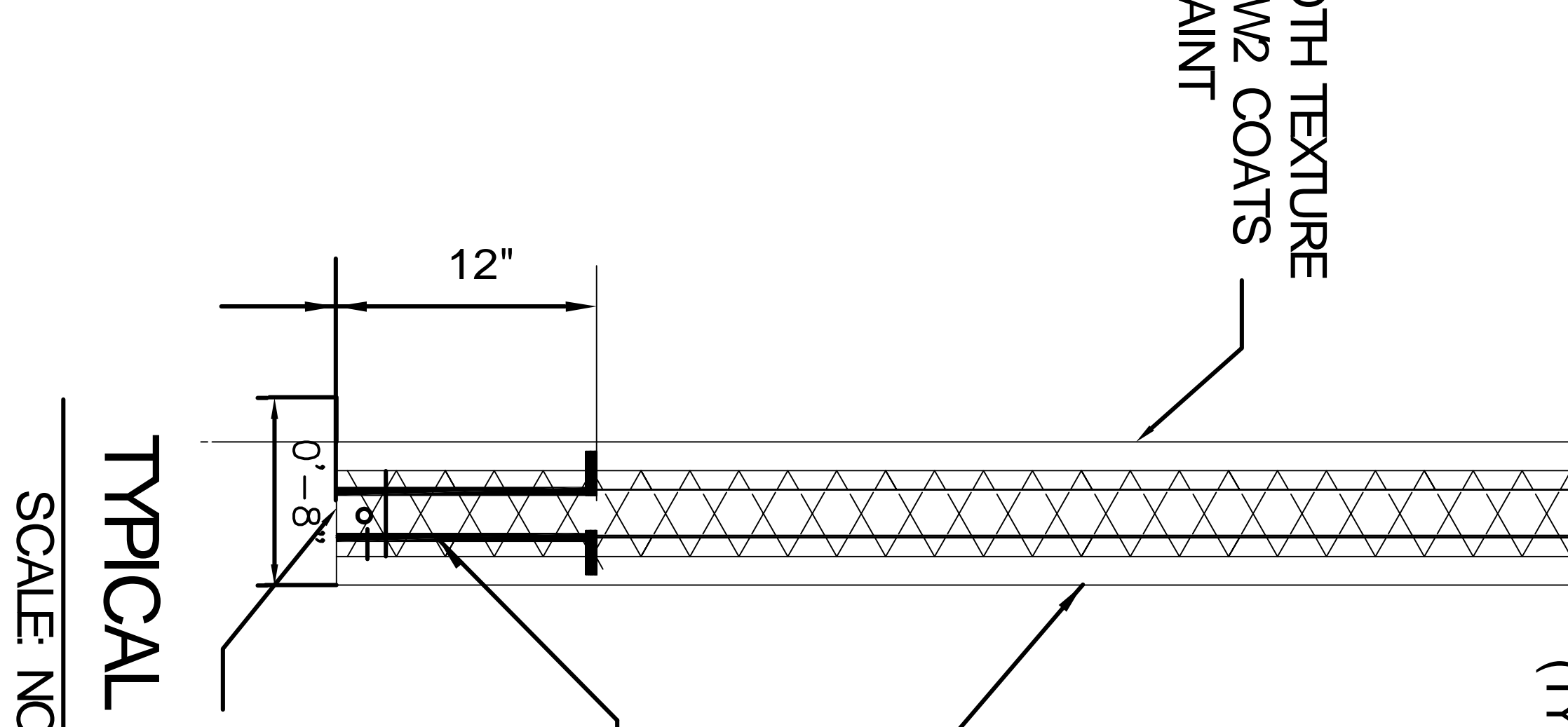
IBC BASIC WIND SPEED -(3 SECOND GUST)  
WIND -140 MPH (WHEN ANCHORED PER HUD REQUIREMENTS)

SNOW - 100 PSF  
INSULATION  
EXTERIOR WALLS R= 42  
ROOF / CEILING R= 29  
FLOOR R= 10  
SPRINKLE PER NFPA 101  
INCLUDING ATTIC

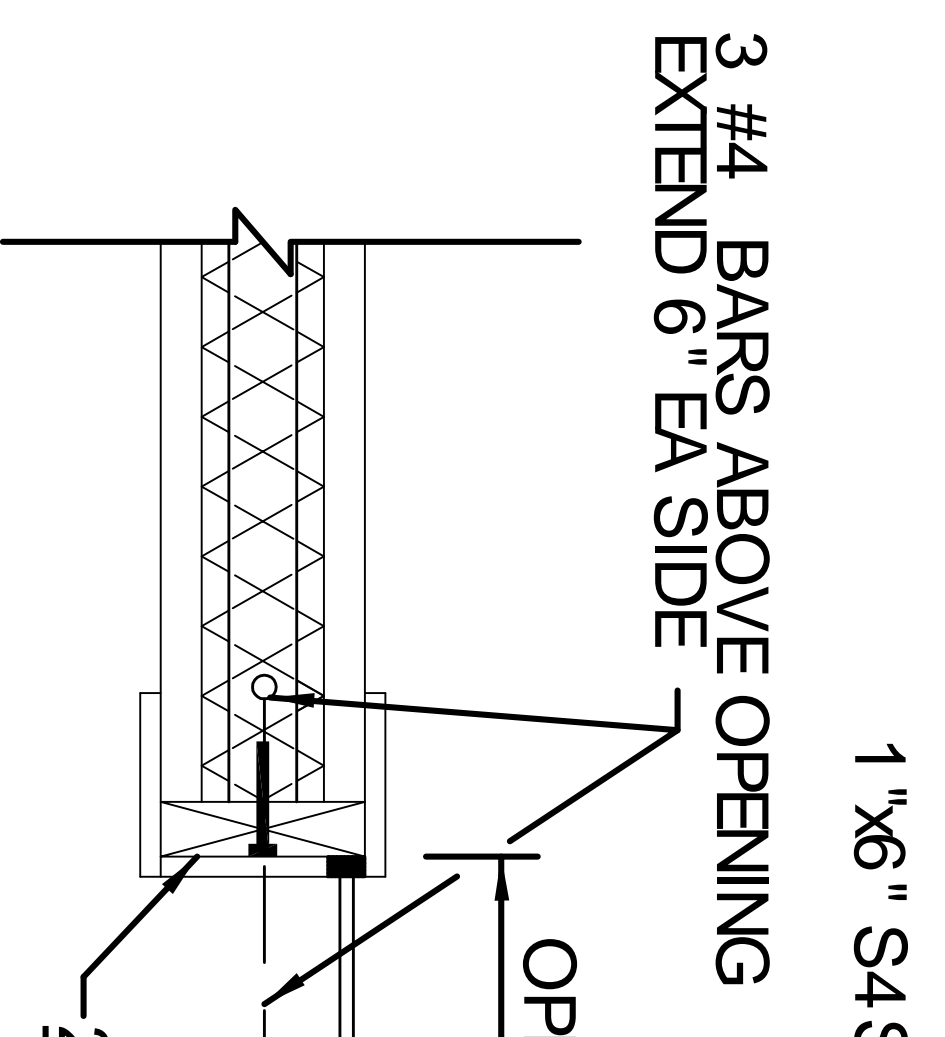
COMPONANT RATINGS  
EXTERIOR WALLS 1 HR  
ROOF- NONE  
FLOOR- 1 HR  
DOORS - 1 HR  
WINDOWS

- ### NOTES:
1. WHERE FOAM IS REMOVED FROM ANY SECTION OF PANEL, USE EXPANDED METAL LATH FOR BACK UP WHEN SHOOTING GUNITE
  2. LAP STEEL BARS MINIMUM OF 16" AT SPLICES.
  3. SHOTCRETE SHALL BE MINIMUM 4000 PSI.
  4. REBAR SHALL BE fy 60000 PSI
  5. WELD CAP ON OPEN ENDS OF ALL OPEN STEEL TUBES
  6. ALL FRAME WELDING SHALL BE CONTINUOUS, WITH 1/4" FILLET, UNLESS SHOWN OTHERWISE.
  7. ROOF TRUSSES  
ROOF AND CEILING JOIST, AND CONNECTIONS TO LGT. GA. METAL SHALL BE WITH  
APPROPRIATE STAINLESS SHT METAL SCREWS. BRACE ROOF IN LONGITUDINAL DIRECTION WITH X BRACING  
EVERY OTHER RAFTER  
ATTACH 1 X4 PURLINS W/2 - 1 1/2" #6 SCREWS EA RAFTER

EXTERIOR: SMOOTH TEXTURE  
"STUCCO" FINISH W2 COATS  
ELASTORMERIC PAINT



## TYPICAL SCALE: NONE



## WALL