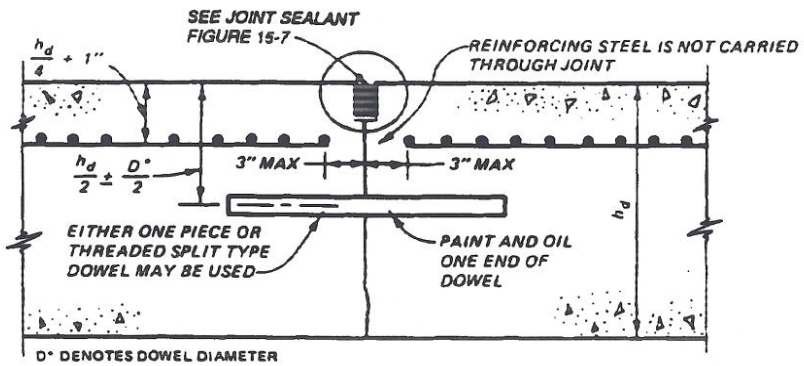


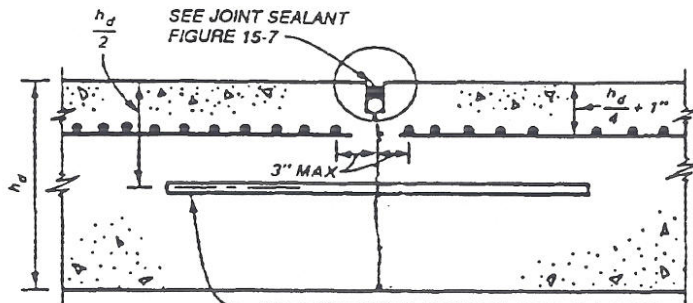
NOTE: SAW CUT WILL NOT EXTEND BELOW STEEL REINFORCING.

a. LONGITUDINAL



D° DENOTES DOWEL DIAMETER

b. TRANSVERSE



NO. 5 DEFORMED STEEL TIE BARS 2'-6" LONG AND SPACED 2'-6" ON CENTERS

c. TIED LONGITUDINAL

Figure 16-1. Contraction Joints for Reinforced Concrete Pavements.