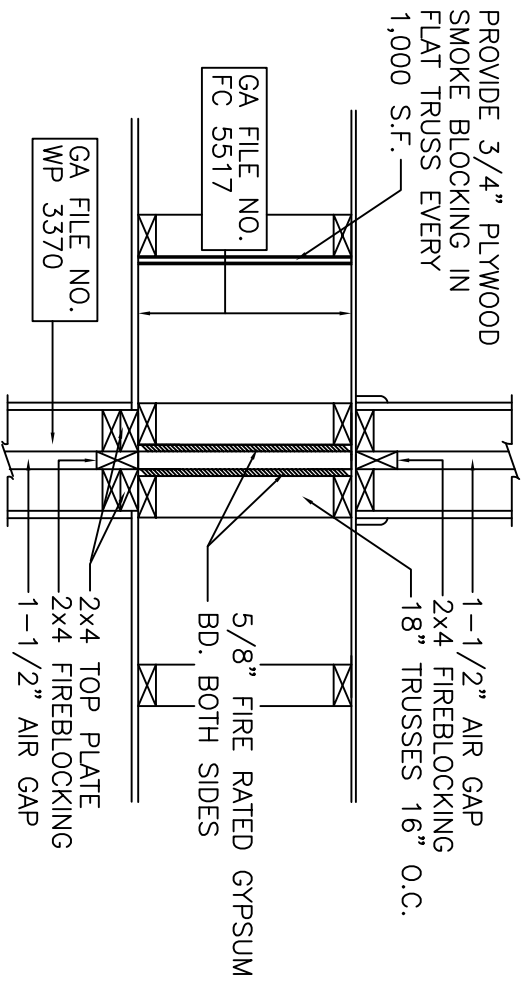
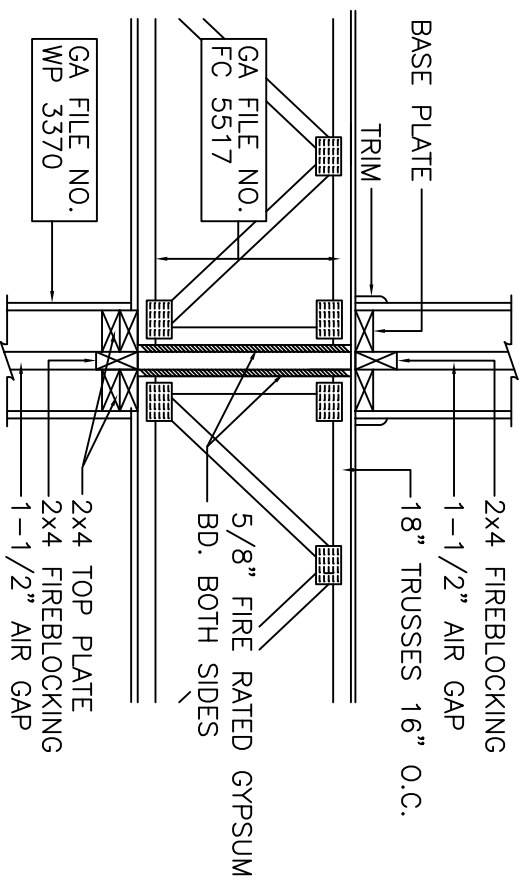


REVISED



TRUSS SUPPORT AT DIVIDING WALLS

N.T.S.



TRUSS SUPPORT AT PARTITION WALLS

N.T.S.