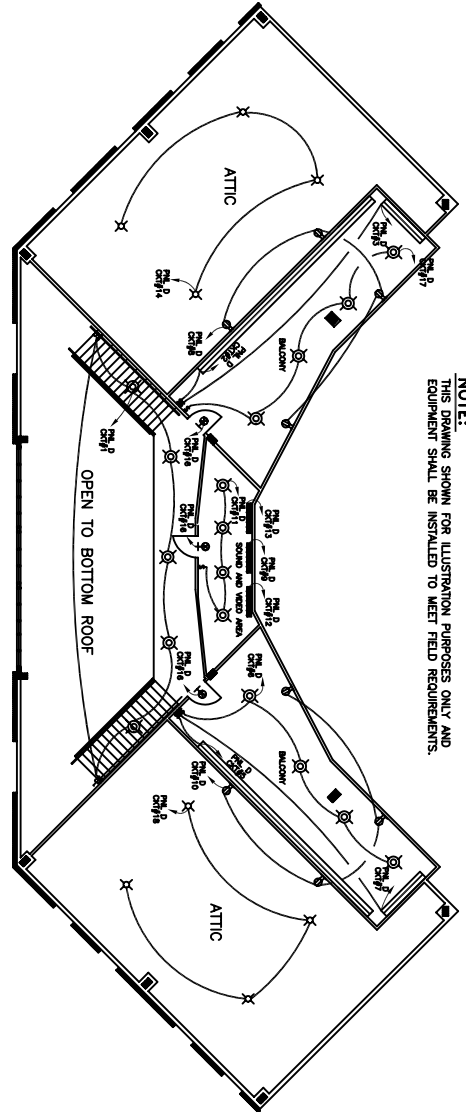
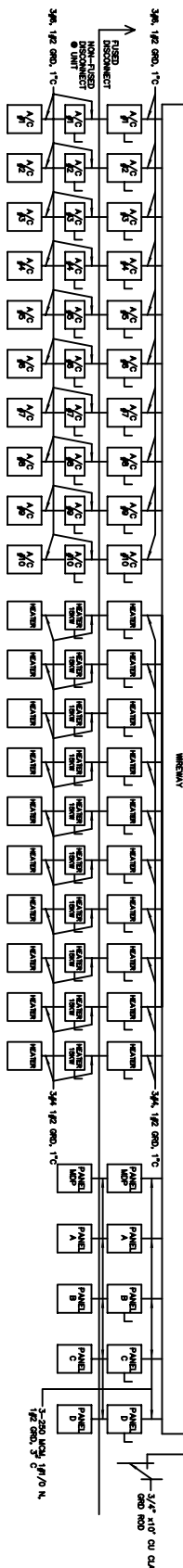
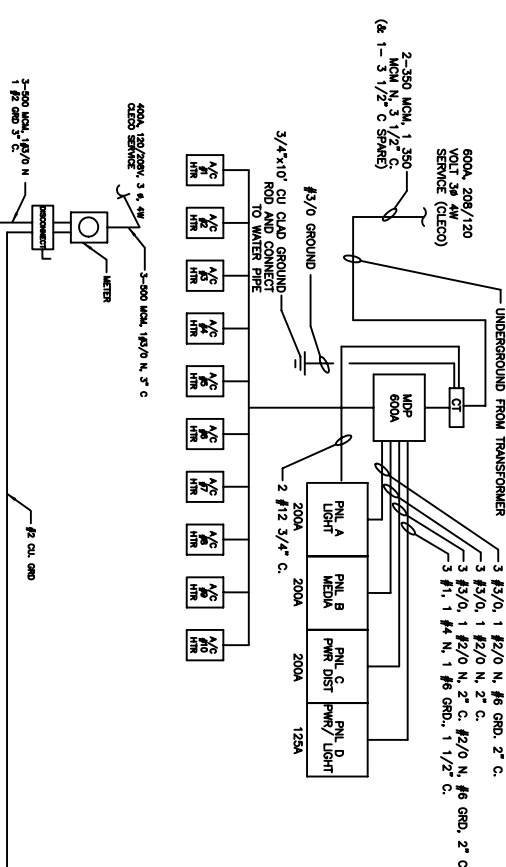


NOTE:  
THIS DRAWING SHOWN FOR ILLUSTRATION PURPOSES ONLY AND  
EQUIPMENT SHALL BE INSTALLED TO MEET FIELD REQUIREMENTS.



BALCONY ELECTRICAL PLAN  
SCALE: 1/8" = 1'-0"

NO.	DESCRIPTION	QTY	UNIT	PRICE	TOTAL
1	120V 15A RECESSED DOW LIGHT	12	EA	1.50	18.00
2	120V 15A RECESSED DOW LIGHT	12	EA	1.50	18.00
3	120V 15A RECESSED DOW LIGHT	12	EA	1.50	18.00
4	120V 15A RECESSED DOW LIGHT	12	EA	1.50	18.00
5	120V 15A RECESSED DOW LIGHT	12	EA	1.50	18.00
6	120V 15A RECESSED DOW LIGHT	12	EA	1.50	18.00
7	120V 15A RECESSED DOW LIGHT	12	EA	1.50	18.00
8	120V 15A RECESSED DOW LIGHT	12	EA	1.50	18.00
9	120V 15A RECESSED DOW LIGHT	12	EA	1.50	18.00
10	120V 15A RECESSED DOW LIGHT	12	EA	1.50	18.00
11	120V 15A RECESSED DOW LIGHT	12	EA	1.50	18.00
12	120V 15A RECESSED DOW LIGHT	12	EA	1.50	18.00
13	120V 15A RECESSED DOW LIGHT	12	EA	1.50	18.00
14	120V 15A RECESSED DOW LIGHT	12	EA	1.50	18.00
15	120V 15A RECESSED DOW LIGHT	12	EA	1.50	18.00
16	120V 15A RECESSED DOW LIGHT	12	EA	1.50	18.00
17	120V 15A RECESSED DOW LIGHT	12	EA	1.50	18.00
18	120V 15A RECESSED DOW LIGHT	12	EA	1.50	18.00
19	120V 15A RECESSED DOW LIGHT	12	EA	1.50	18.00
20	120V 15A RECESSED DOW LIGHT	12	EA	1.50	18.00
21	120V 15A RECESSED DOW LIGHT	12	EA	1.50	18.00
22	120V 15A RECESSED DOW LIGHT	12	EA	1.50	18.00
23	120V 15A RECESSED DOW LIGHT	12	EA	1.50	18.00
24	120V 15A RECESSED DOW LIGHT	12	EA	1.50	18.00
25	120V 15A RECESSED DOW LIGHT	12	EA	1.50	18.00
26	120V 15A RECESSED DOW LIGHT	12	EA	1.50	18.00
27	120V 15A RECESSED DOW LIGHT	12	EA	1.50	18.00
28	120V 15A RECESSED DOW LIGHT	12	EA	1.50	18.00
29	120V 15A RECESSED DOW LIGHT	12	EA	1.50	18.00
30	120V 15A RECESSED DOW LIGHT	12	EA	1.50	18.00
31	120V 15A RECESSED DOW LIGHT	12	EA	1.50	18.00
32	120V 15A RECESSED DOW LIGHT	12	EA	1.50	18.00
33	120V 15A RECESSED DOW LIGHT	12	EA	1.50	18.00
34	120V 15A RECESSED DOW LIGHT	12	EA	1.50	18.00
35	120V 15A RECESSED DOW LIGHT	12	EA	1.50	18.00
36	120V 15A RECESSED DOW LIGHT	12	EA	1.50	18.00
37	120V 15A RECESSED DOW LIGHT	12	EA	1.50	18.00
38	120V 15A RECESSED DOW LIGHT	12	EA	1.50	18.00
39	120V 15A RECESSED DOW LIGHT	12	EA	1.50	18.00
40	120V 15A RECESSED DOW LIGHT	12	EA	1.50	18.00
41	120V 15A RECESSED DOW LIGHT	12	EA	1.50	18.00
42	120V 15A RECESSED DOW LIGHT	12	EA	1.50	18.00
43	120V 15A RECESSED DOW LIGHT	12	EA	1.50	18.00
44	120V 15A RECESSED DOW LIGHT	12	EA	1.50	18.00
45	120V 15A RECESSED DOW LIGHT	12	EA	1.50	18.00
46	120V 15A RECESSED DOW LIGHT	12	EA	1.50	18.00
47	120V 15A RECESSED DOW LIGHT	12	EA	1.50	18.00
48	120V 15A RECESSED DOW LIGHT	12	EA	1.50	18.00
49	120V 15A RECESSED DOW LIGHT	12	EA	1.50	18.00
50	120V 15A RECESSED DOW LIGHT	12	EA	1.50	18.00
51	120V 15A RECESSED DOW LIGHT	12	EA	1.50	18.00
52	120V 15A RECESSED DOW LIGHT	12	EA	1.50	18.00
53	120V 15A RECESSED DOW LIGHT	12	EA	1.50	18.00
54	120V 15A RECESSED DOW LIGHT	12	EA	1.50	18.00
55	120V 15A RECESSED DOW LIGHT	12	EA	1.50	18.00
56	120V 15A RECESSED DOW LIGHT	12	EA	1.50	18.00
57	120V 15A RECESSED DOW LIGHT	12	EA	1.50	18.00
58	120V 15A RECESSED DOW LIGHT	12	EA	1.50	18.00
59	120V 15A RECESSED DOW LIGHT	12	EA	1.50	18.00
60	120V 15A RECESSED DOW LIGHT	12	EA	1.50	18.00
61	120V 15A RECESSED DOW LIGHT	12	EA	1.50	18.00
62	120V 15A RECESSED DOW LIGHT	12	EA	1.50	18.00
63	120V 15A RECESSED DOW LIGHT	12	EA	1.50	18.00
64	120V 15A RECESSED DOW LIGHT	12	EA	1.50	18.00
65	120V 15A RECESSED DOW LIGHT	12	EA	1.50	18.00
66	120V 15A RECESSED DOW LIGHT	12	EA	1.50	18.00
67	120V 15A RECESSED DOW LIGHT	12	EA	1.50	18.00
68	120V 15A RECESSED DOW LIGHT	12	EA	1.50	18.00
69	120V 15A RECESSED DOW LIGHT	12	EA	1.50	18.00
70	120V 15A RECESSED DOW LIGHT	12	EA	1.50	18.00
71	120V 15A RECESSED DOW LIGHT	12	EA	1.50	18.00
72	120V 15A RECESSED DOW LIGHT	12	EA	1.50	18.00
73	120V 15A RECESSED DOW LIGHT	12	EA	1.50	18.00
74	120V 15A RECESSED DOW LIGHT	12	EA	1.50	18.00
75	120V 15A RECESSED DOW LIGHT	12	EA	1.50	18.00
76	120V 15A RECESSED DOW LIGHT	12	EA	1.50	18.00
77	120V 15A RECESSED DOW LIGHT	12	EA	1.50	18.00
78	120V 15A RECESSED DOW LIGHT	12	EA	1.50	18.00
79	120V 15A RECESSED DOW LIGHT	12	EA	1.50	18.00
80	120V 15A RECESSED DOW LIGHT	12	EA	1.50	18.00
81	120V 15A RECESSED DOW LIGHT	12	EA	1.50	18.00
82	120V 15A RECESSED DOW LIGHT	12	EA	1.50	18.00
83	120V 15A RECESSED DOW LIGHT	12	EA	1.50	18.00
84	120V 15A RECESSED DOW LIGHT	12	EA	1.50	18.00
85	120V 15A RECESSED DOW LIGHT	12	EA	1.50	18.00
86	120V 15A RECESSED DOW LIGHT	12	EA	1.50	18.00
87	120V 15A RECESSED DOW LIGHT	12	EA	1.50	18.00
88	120V 15A RECESSED DOW LIGHT	12	EA	1.50	18.00
89	120V 15A RECESSED DOW LIGHT	12	EA	1.50	18.00
90	120V 15A RECESSED DOW LIGHT	12	EA	1.50	18.00
91	120V 15A RECESSED DOW LIGHT	12	EA	1.50	18.00
92	120V 15A RECESSED DOW LIGHT	12	EA	1.50	18.00
93	120V 15A RECESSED DOW LIGHT	12	EA	1.50	18.00
94	120V 15A RECESSED DOW LIGHT	12	EA	1.50	18.00
95	120V 15A RECESSED DOW LIGHT	12	EA	1.50	18.00
96	120V 15A RECESSED DOW LIGHT	12	EA	1.50	18.00
97	120V 15A RECESSED DOW LIGHT	12	EA	1.50	18.00
98	120V 15A RECESSED DOW LIGHT	12	EA	1.50	18.00
99	120V 15A RECESSED DOW LIGHT	12	EA	1.50	18.00
100	120V 15A RECESSED DOW LIGHT	12	EA	1.50	18.00



ELECTRICAL RISER DIAGRAM  
N.T.S.

REVISED: 08-18-05

- LEGEND
- - DOWEL RECEPTACLE
  - POWER STRIP
  - - RECESSED DOW LIGHT
  - ⊗ - LIGHT IN ATTIC WITH PULL CHAIN
  - ⊙ - CONE LIGHTING
  - ⊕ - EXIT LIGHT, BATTERY BACK-UP
  - ⊖ - 2x4 FLUORESCENT FIXTURE
  - ⊗ - TELEPHONE/COMPUTER
  - ⊕ - SWITCH
  - ⊖ - THREE WAY SWITCH

BALCONY ELETRICAL PLAN  
STARLIGHT BAPTIST CHURCH  
2100 SECOND STREET  
SLIDELL, LOUISIANA

NEW SANCTUARY  
**DAMMON ENGINEERING, INC.**  
1095 FLORIDA AVENUE 985-649-5832 SLIDELL, LA. 70456  
DAMMONENGINEERING.COM

SCALE:AS NOTED  
FILE:  
JOB NO. 1495g  
DATE:05-16-05  
SHEET  
E-3  
OF