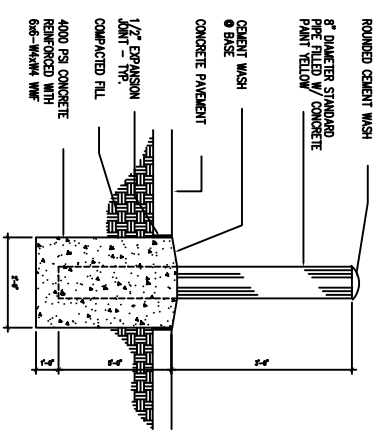


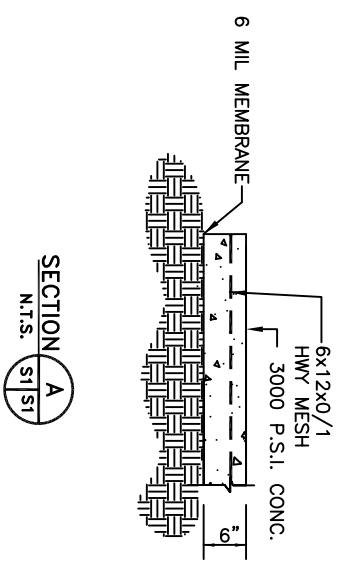
FOUNDATION PLAN
SCALE: 1/4"=1'-0"



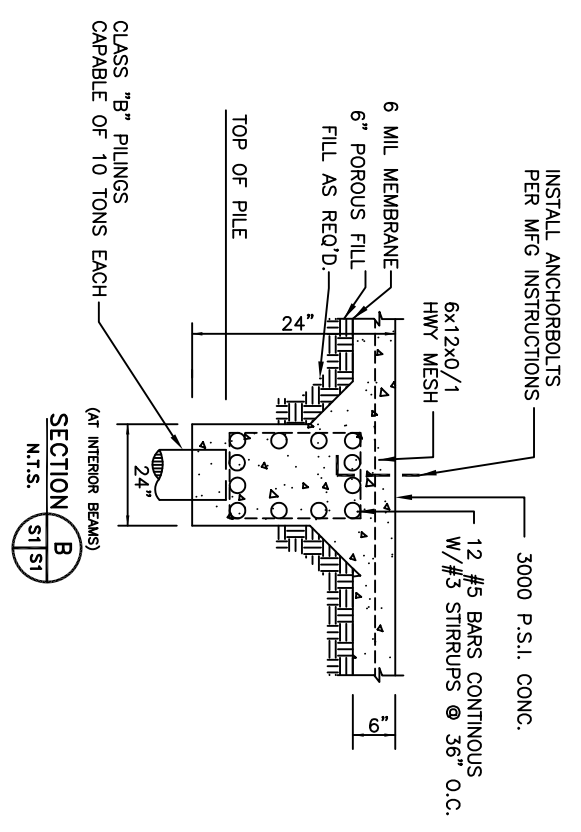
BOLLARD PLAN
SCALE: N.T.S.

NOTES:

1. CONTRACTOR SHALL VERIFY ALL DIMENSIONS, DEPRESSIONS PRIOR TO COMMENCING WORK.
2. DIRT SHALL BE INSTALLED IN 6" LIFTS AND COMPACTED TO 95% PROCTOR.
3. CONCRETE MIX SHALL BE 3000 PSI. MINIMUM.



SECTION A
N.T.S.



SECTION B
N.T.S.