

DAMMON
ENGINEERING, INC.

EMMETT
DAMMON

ARCHITECT
ROBERT
WILTSE

1095 FLORIDA AVENUE
SLIDELL, LA. 70458
985-649-5832

WEBSITE: WWW.DAMMONENGINEERING.COM
EMAIL: DAMMONENG@BELLSOUTH.NET

ARCHITECTURE
ENGINEERING
STUDIES
PLANNING
INVESTIGATION
EXPERT WITNESS

NEW
BAPTIST
CHURCH

BEULAH LAND
BAPTIST CHURCH
2436 ST. MAURICE AVE.
NEW ORLEANS, LA

PLUMBING
NOTES
SCHEDULES &
DETAILS

REV:

SCALE: AS NOTED

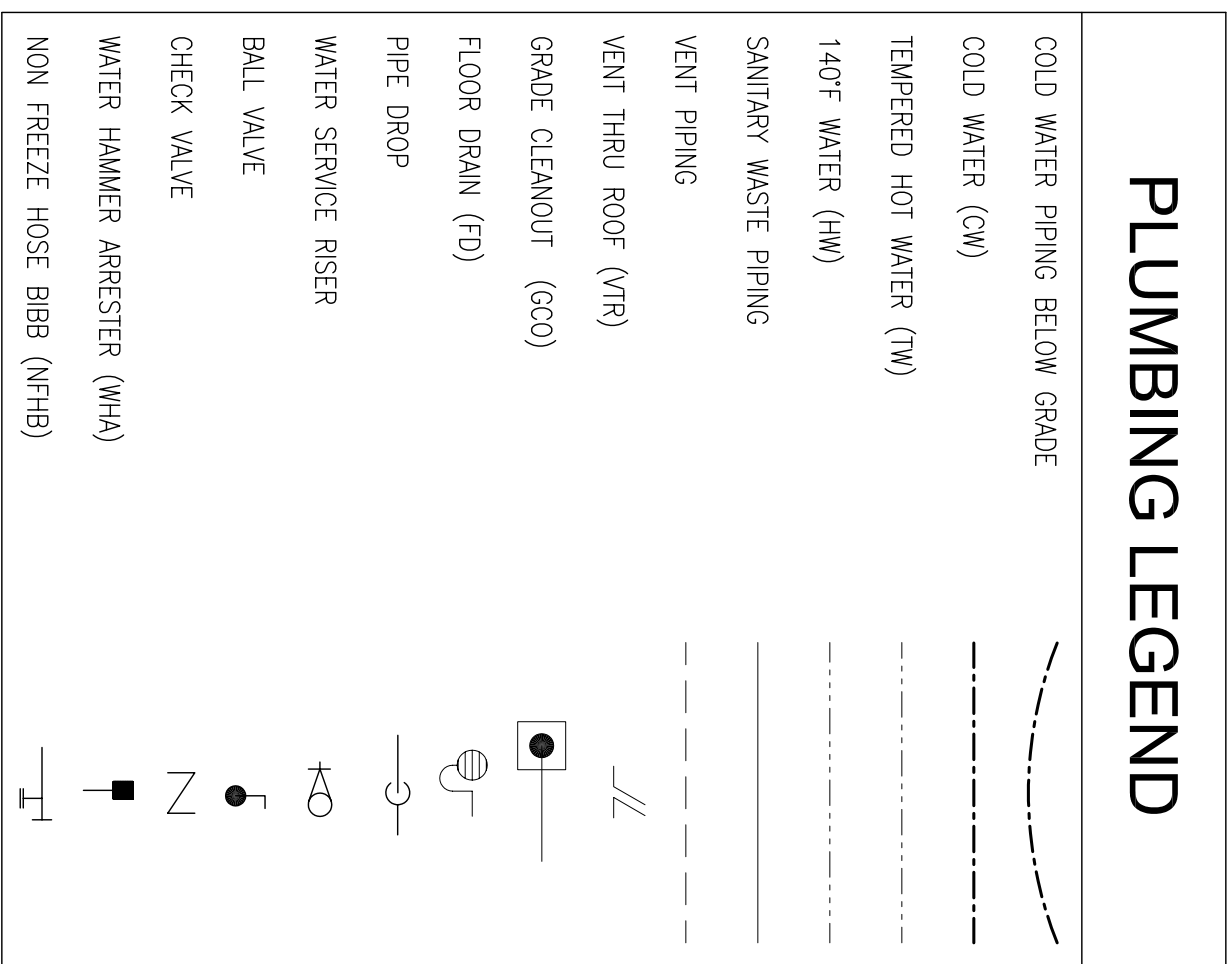
JOB#: 1910

DATE: 12-14-07

SHEET 19

P-1

OF 20

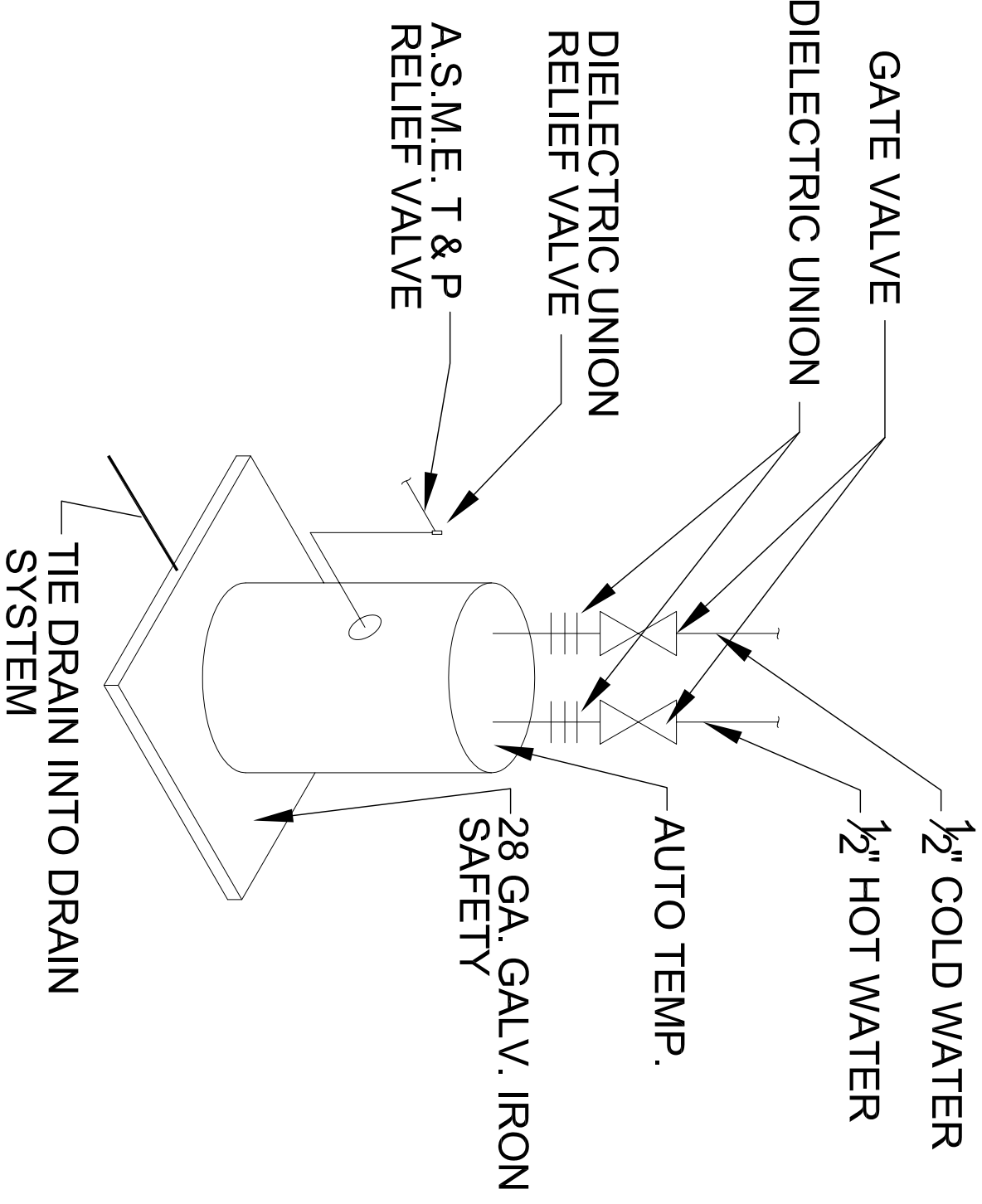
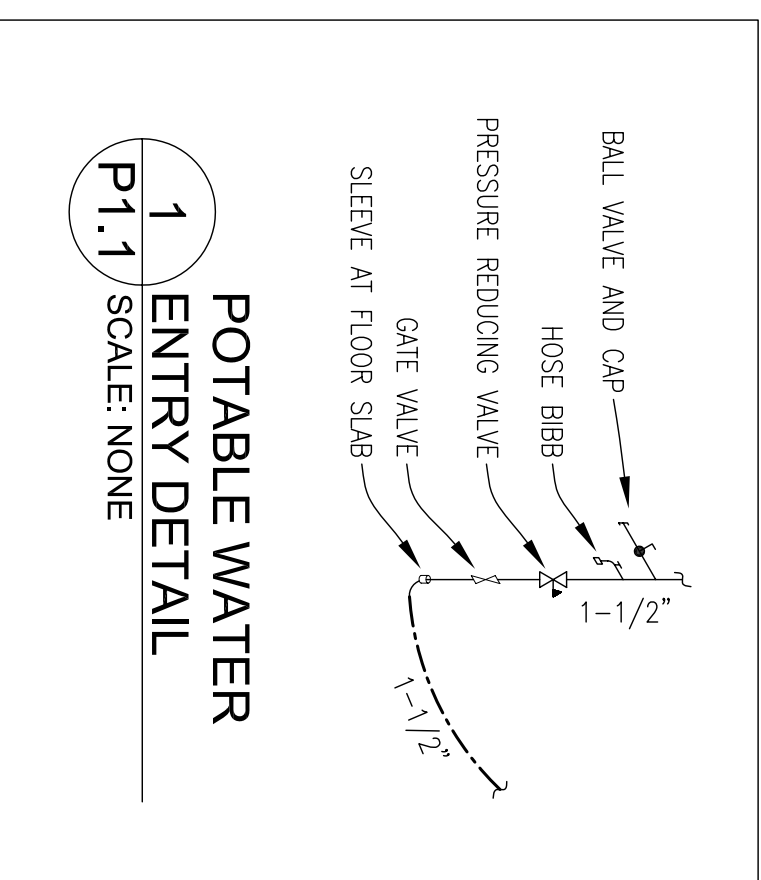


PLUMBING NOTES

- All work and materials shall be in compliance with the current Louisiana State Building Code and local codes and ordinances.
- Water piping above grade shall be type L hard copper. Water piping below grade shall be type K soft copper with no joints under slab. Joints shall be made with lead free solder up to 1" pipe size. Joints shall be made with silver brazing solder for pipe sizes 1-1/4" and larger.
- Above grade water piping shall be insulated with 1/2" thickness preformed fiberglass pipe insulation with all service jacket. All above grade piping in unheated areas shall be insulated with 2" thick preformed fiberglass pipe insulation with all service jacket. Provide foarglass insulation inserts and galvanized steel pipe shields at pipe supports. Route all water piping within the thermal envelope.
- Sanitary and vent piping shall be service weight cast iron with hub and spigot joints with neoprene compression joints below grade; no-hub fittings may be used for above grade piping. Subject to local authority approval and provided that the ceiling is not used as a return air plenum, schedule 40 ASTM D-2665 PVC piping with PVC-DWV pattern solvent welded fittings may be substituted for cast iron piping.
- Provide firestopping at all rated penetrations. Coordinate with GC.
- Warranty all work for a minimum of 1 year from date of acceptance by owner.

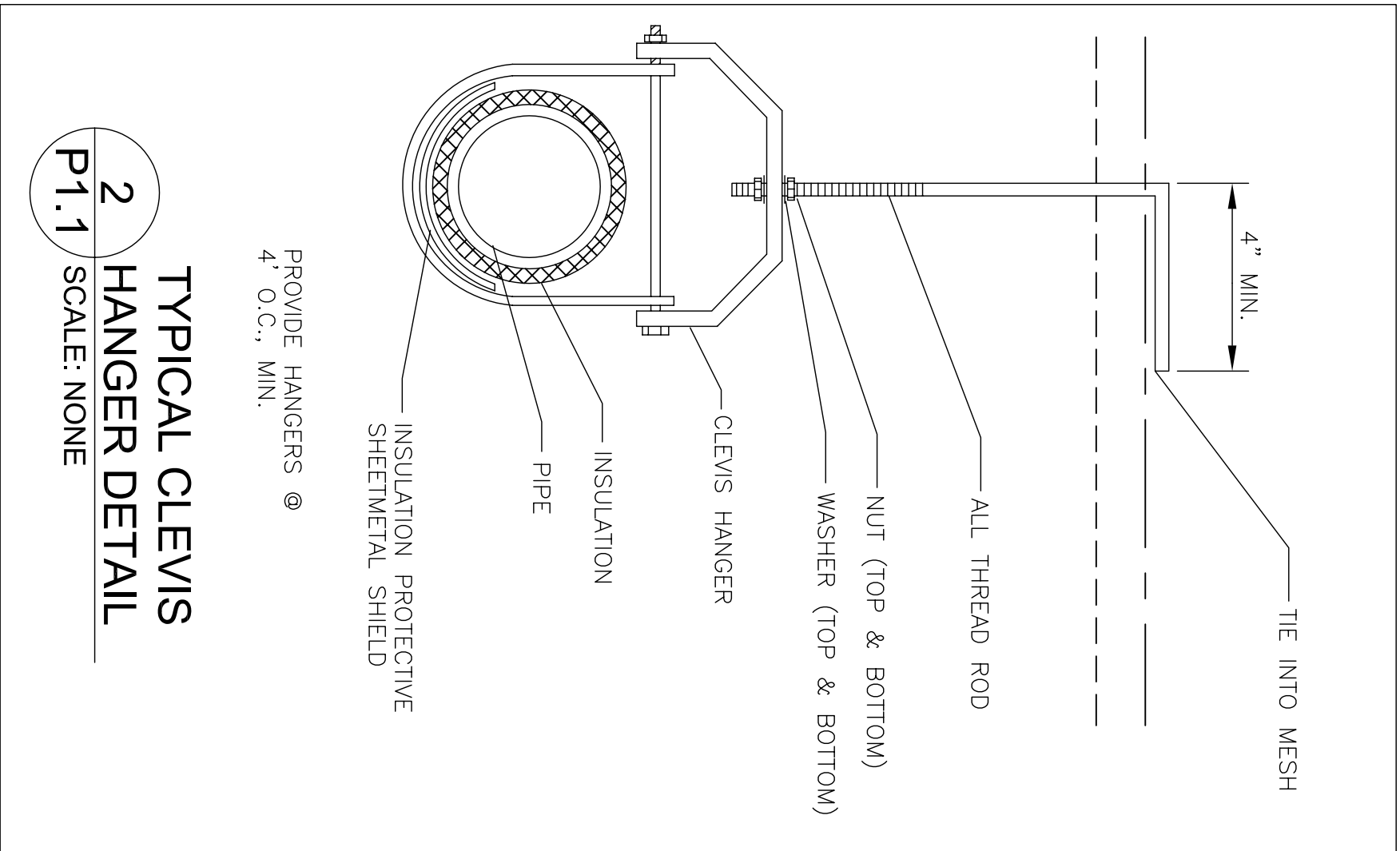
PLUMBING EQUIPMENT SCHEDULE

tag	equipment description
EW1	Electric Water Heater. Equal to Eemax EX65T. Instantaneous & Thermostatic. 208-1-60, 4.875 kW. 67 deg F rise @ 0.5 gpm. Mount beneath lavatory.
EW2	Electric Water Heater. Equal to Eemax EX65T. Instantaneous & Thermostatic. 208-1-60, 4.875 kW. 67 deg F rise @ 0.5 gpm. Mount beneath lavatory.
FCO	Floor cleanout. Equal to Zurn model ZN-1400-T. See detail.
GGO	Ground cleanout. Equal to Zurn Z-1440-BP. Set in 12"x12"x4" concrete pad flush with grade. See detail.
NFHB	Non freeze hose bibb. Equal to Woodford model B-65, chrome finish and keyless.
WHA	Water Hammer Arrestor. Equal to J.R. Smith Hydrorol 5005. Stainless steel housing, rubber bellows. Provide access panel.



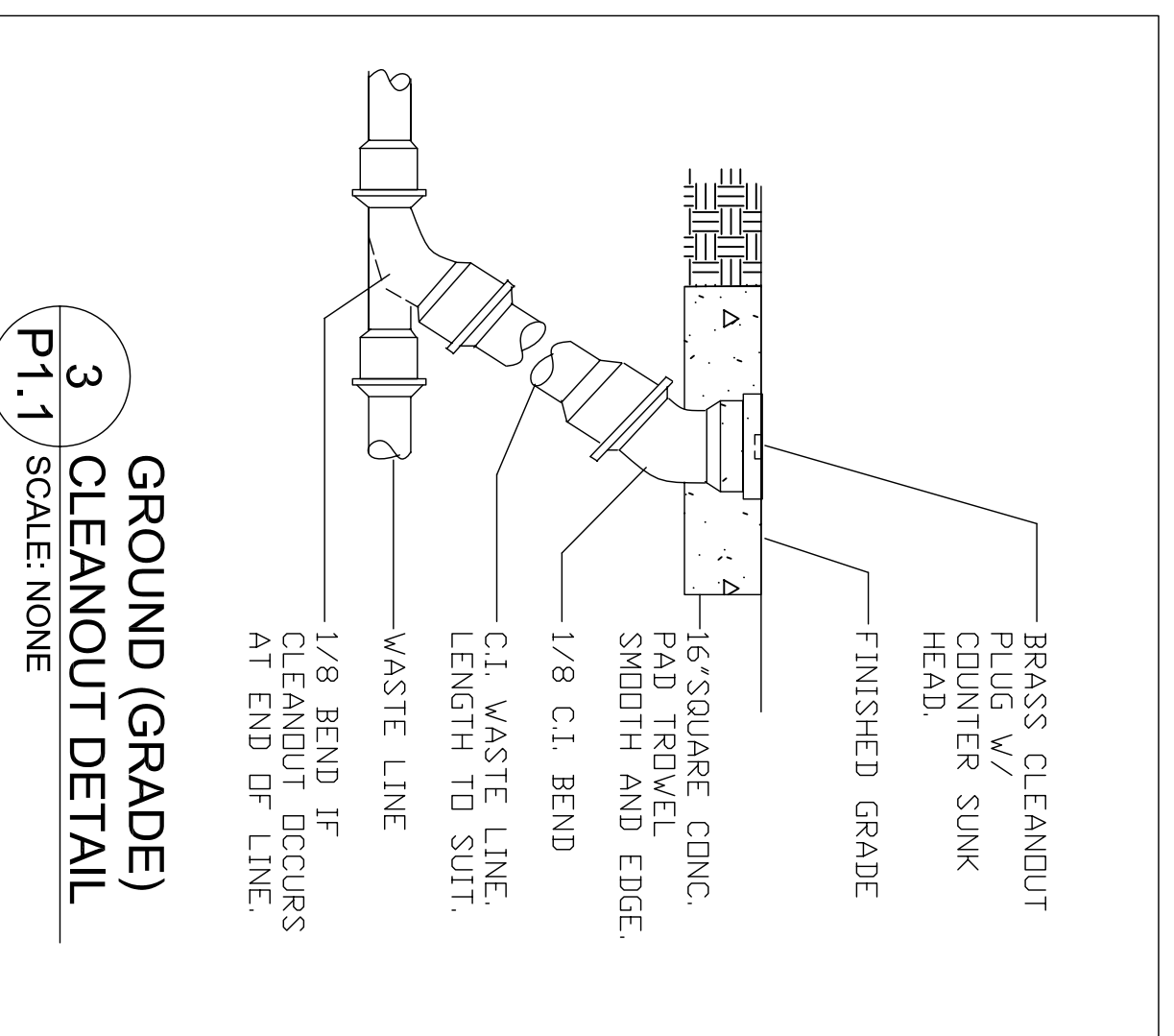
TYPICAL WATER HEATER

N.T.S.



TYPICAL CLEVIS HANGER DETAIL

P1.1 SCALE: NONE



GROUND (GRADE) CLEANOUT DETAIL

P1.1 SCALE: NONE

ALL UTILITIES NEED TO HAVE FLEXIBILITY INCORPORATED INTO ALL LINES TO ALLOW FOR SETTLEMENT AND "PULLING" OF THE LINES.

PLUMBING FIXTURE SCHEDULE

tag	fixture	fixture manufacturer (or equal)	fixture model #	trim manufacturer (or equal)	trim model #	sanitary	vent	cold water	hot water	remarks
P1	Floor mounted water closet. Flush valve. HC accessible.	American Standard	Madera 3043.102	Sloan	111	3"	2"	1-1/2"	-	White vitreous china assembly. Open front seat with check hinges. Elongated bowl. 1.6 gallons per flush. Provide flex supplies with stops. Install per ADA. Trip lever located on accessible side.
P2	Lavatory. Wall mounted. HC accessible.	American Standard	Regalyn	Della	623-HDFHGM	1-1/2"	1-1/2"	1/2"	1/2"	White enameled cast iron. 4" faucet centers. Single handle faucet with aerator, grid drain. Provide offset trap and piping protectors. Install per ADA.
P3	Bi-level Electric water cooler. HC accessible.	Elkey	EZST18C	-	-	1-1/2"	1-1/2"	1/2"	-	Install per ADA. Provide apron if required to meet ADA.
P4	Baptistry	-	-	-	-	3"	2"	1/2"	1/2"	-

THESE PLANS HAVE BEEN PREPARED UNDER MY DIRECT SUPERVISION, AND TO THE BEST OF MY KNOWLEDGE AND BELIEF, COMPLY WITH ALL THE BUILDING CODES OF THE CITY OF NEW ORLEANS, AS WELL AS STATE AND NATIONAL CODES. I AM NOT SUPERVISING THE WORK.

BRIAN A. MISTICH