

FILE NAME: A:_CAD\PROJECTS\2015\B. Lacombe - PROMULTIS Chapel.dwg PLOT DATE: 8/18/15 Worksheet: September 30, 2015 4:25:32 PM



6 REFLECTED CEILING PLAN
 SCALE: 1/8" = 1'-0"
 LEVEL 1

GENERAL RCP NOTES

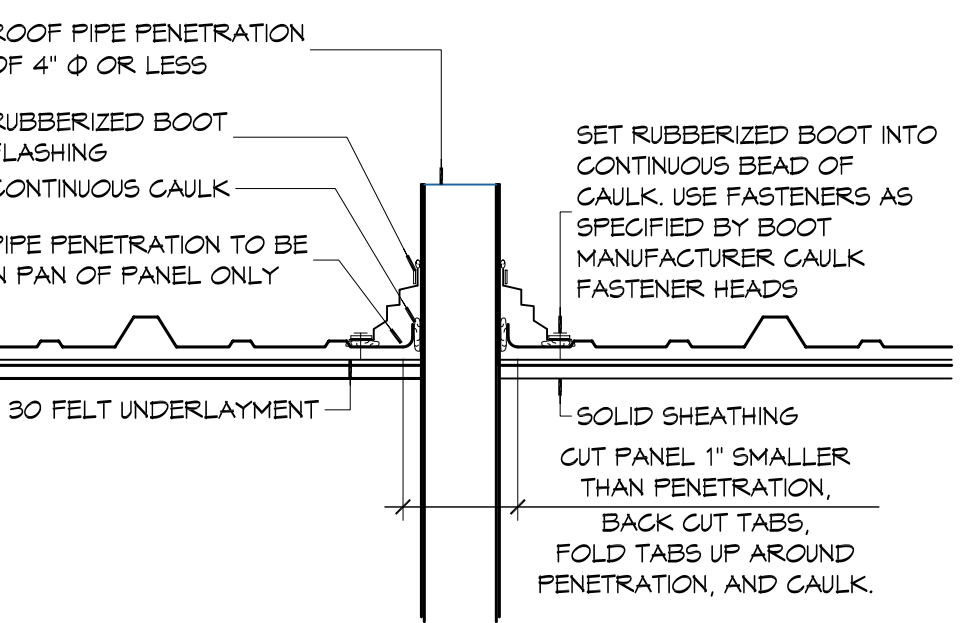
- MECHANICAL MEZZANINE REFLECTED CEILING PLAN NOT SHOWN. NO FINISHED CEILING ASSEMBLY TO BE PROVIDED AND IS OPEN TO EXPOSED STRUCTURE. SEE SHEET E101 FOR LIGHT FIXTURE TYPES AND LOCATIONS.
- ALL CEILING HEIGHTS INDICATED ARE APPROXIMATE. ACTUAL CEILING HEIGHT TO BE DETERMINED BY STRUCTURE ELEVATION AND CEILING ASSEMBLY THICKNESS. INDICATED HEIGHT IS MEASURED ABOVE FINISH FLOOR (AFF).
- REFER TO SHEET A501 FOR WALL/PARTITION ASSEMBLY AND INFORMATION.
- SEE SHEET E101 FOR LIGHT FIXTURE TYPES. SEE SHEET M101 FOR DIFFUSER AND GRILLE TYPES.
- REFER TO INTERIOR ELEVATIONS FOR MOUNTING HEIGHT OF WALL MOUNTED LIGHT FIXTURES.

RCP LEGEND

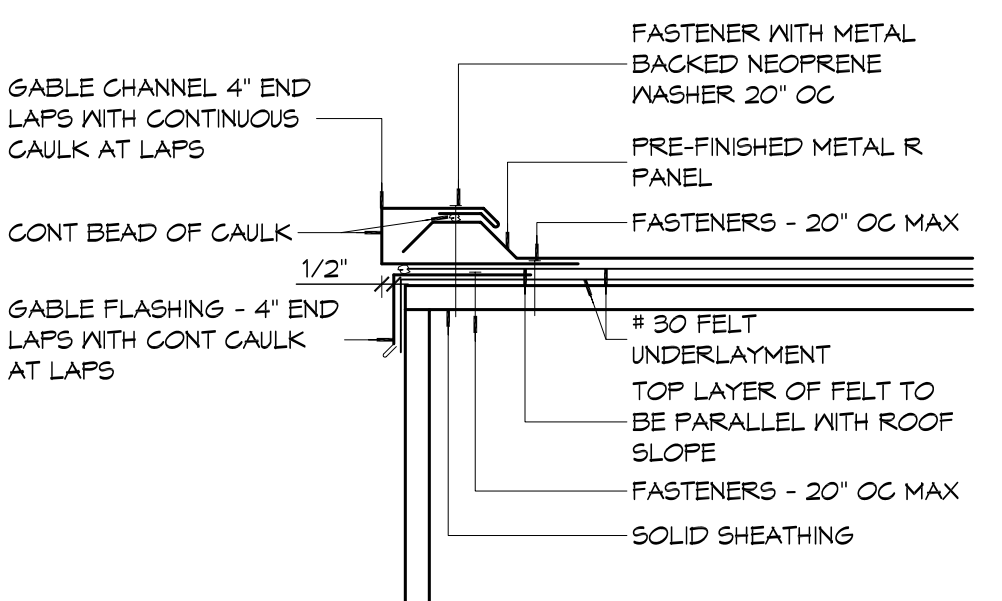
SYMBOL	DESCRIPTION
[Symbol]	2'x4' SURFACE MOUNTED FLUORESCENT LIGHT FIXTURE
[Symbol]	1'x4' SUSPENDED HIGH BAY LIGHT FIXTURES
[Symbol]	SURFACE MOUNTED FLUORESCENT LIGHT FIXTURE STRIP
[Symbol]	DIRECTIONAL SPOTLIGHT
[Symbol]	PENDANT LIGHT FIXTURE
[Symbol]	RECESSED LIGHT FIXTURE
[Symbol]	SURFACE MOUNTED LIGHT FIXTURE
[Symbol]	EXHAUST FAN
[Symbol]	HVAC SUPPLY AIR DIFFUSER
[Symbol]	HVAC RETURN AIR GRILL
[Symbol]	GYP SUM BOARD CEILING (GMB)
[Symbol]	EXTERIOR INSULATED FINISH SYSTEM (EIFS)
[Symbol]	ACOUSTICAL CEILING TILE (ACT)

GENERAL ROOF PLAN NOTES

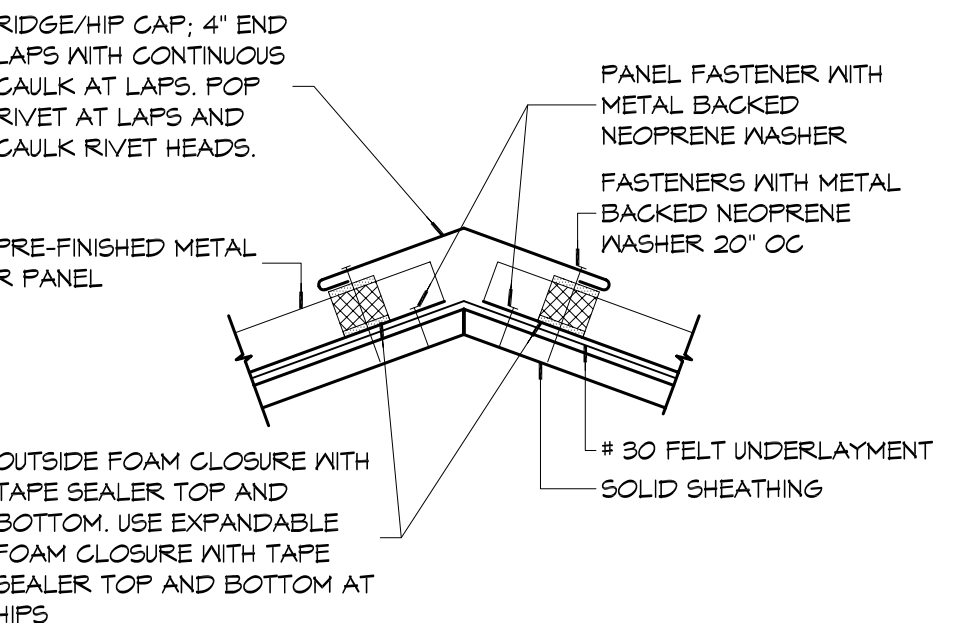
- COORDINATE INSTALLATION OF NEW ROOF SYSTEM WITH OTHER TRADES. REPORT ANY CONFLICTS WITH ITEMS BY OTHER TRADES TO THE ARCHITECT.
- ALL PLUMBING VENTS SHALL EXTEND ABOVE THE FINISHED SURFACE OF THE ROOF SYSTEM TO PROVIDE FOR A MINIMUM OF 8" BASE FLASHING.
- ALL EXPOSED METAL FLASHING/TRIM PIECES TO BE PRE-FINISHED 24 GA STEEL UNO. PROVIDE PRE-FINISHED OR FIELD PAINT FLASHING ONLY AS NOTED.



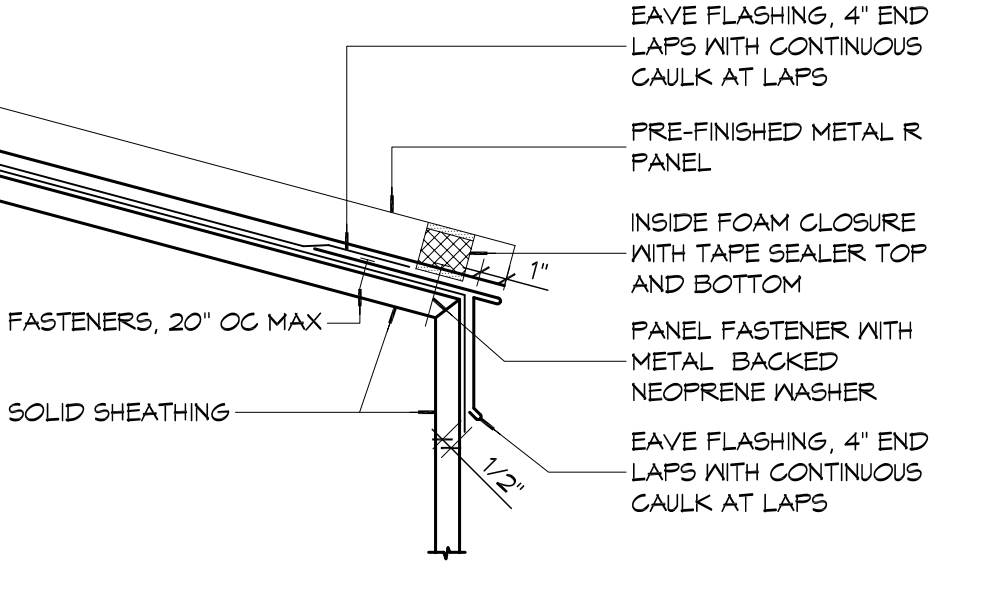
5 ROOF DETAIL
SCALE: NTS
TYPICAL PIPE PENETRATION



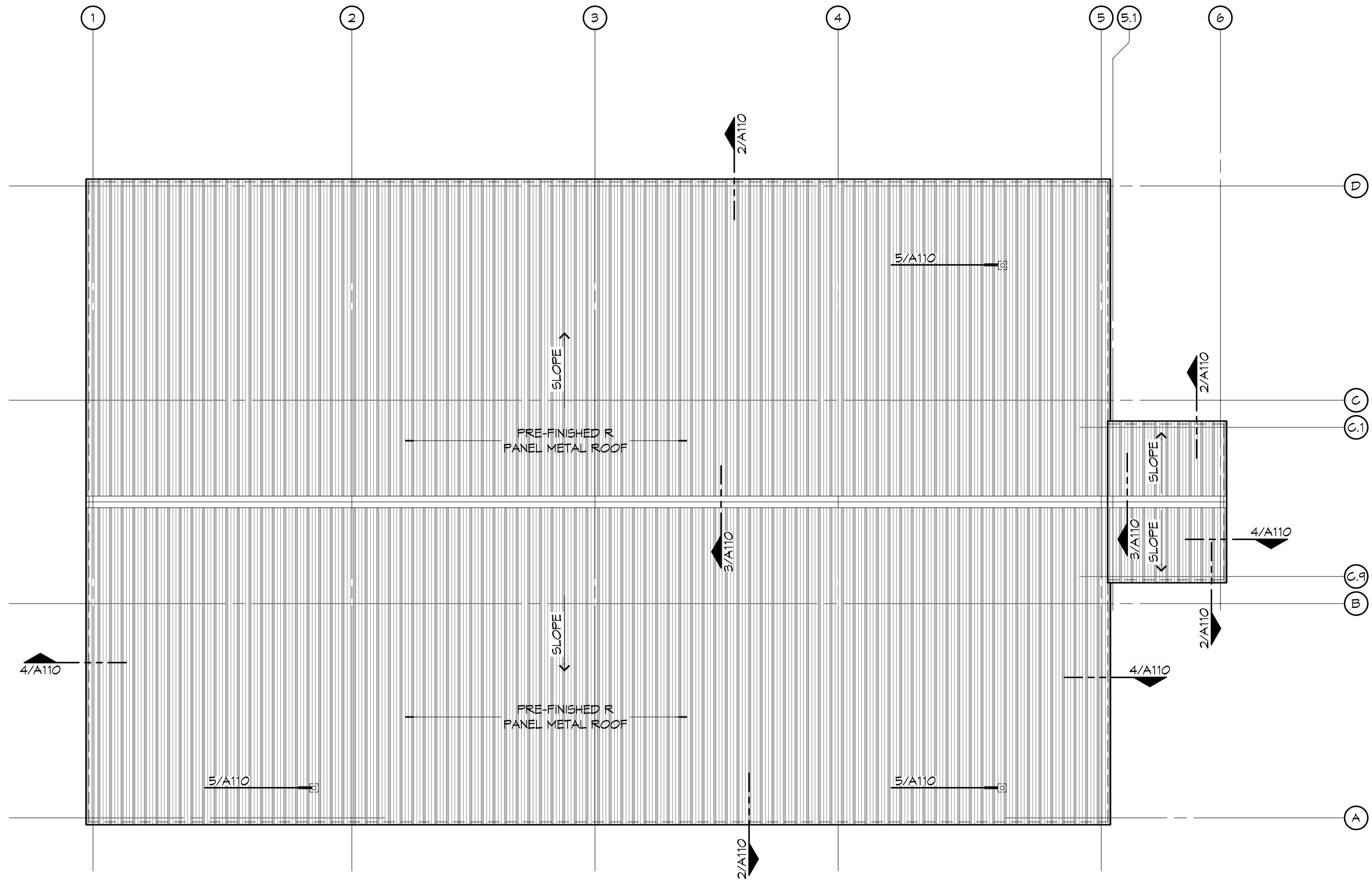
4 ROOF DETAIL
SCALE: NTS
TYPICAL RAKE



3 ROOF DETAIL
SCALE: NTS
TYPICAL RIDGE



2 ROOF DETAIL
SCALE: NTS
TYPICAL EAVE



1 ROOF PLAN
SCALE: 1/8" = 1'-0"

DAMMON
 ENGINEERING, INC.
 Architects & Engineers
 www.dammonengineering.com
 info@dammonengineering.com
 PH: 985.649.5832
 F: 985.641.5990
 Chief Architect: Kevin J. Kinchen, NCEM
 Chief Engineer: Brian Mistich, PE
 554 Old Spanish Trail
 Slidell, LA 70458

#	DESCRIPTION	DATE

SEAL:

PROMULTIS
LACOMBE CHAPEL
 JOB No: 2250
 DATE: SEPTEMBER 9, 2015
 DRAWN BY: K.K.
 CHECKED BY: K.K.
 PROJECT ADDRESS: 10445 LA HWY 494, LA VENTURE ROAD AND LA HWY 494, LACOMBE, LOUISIANA 70445

SHEET TITLE:
 ROOF PLAN, REFLECTED
 CEILING PLAN, AND
 DETAILS

DRAWING NUMBER:
A110