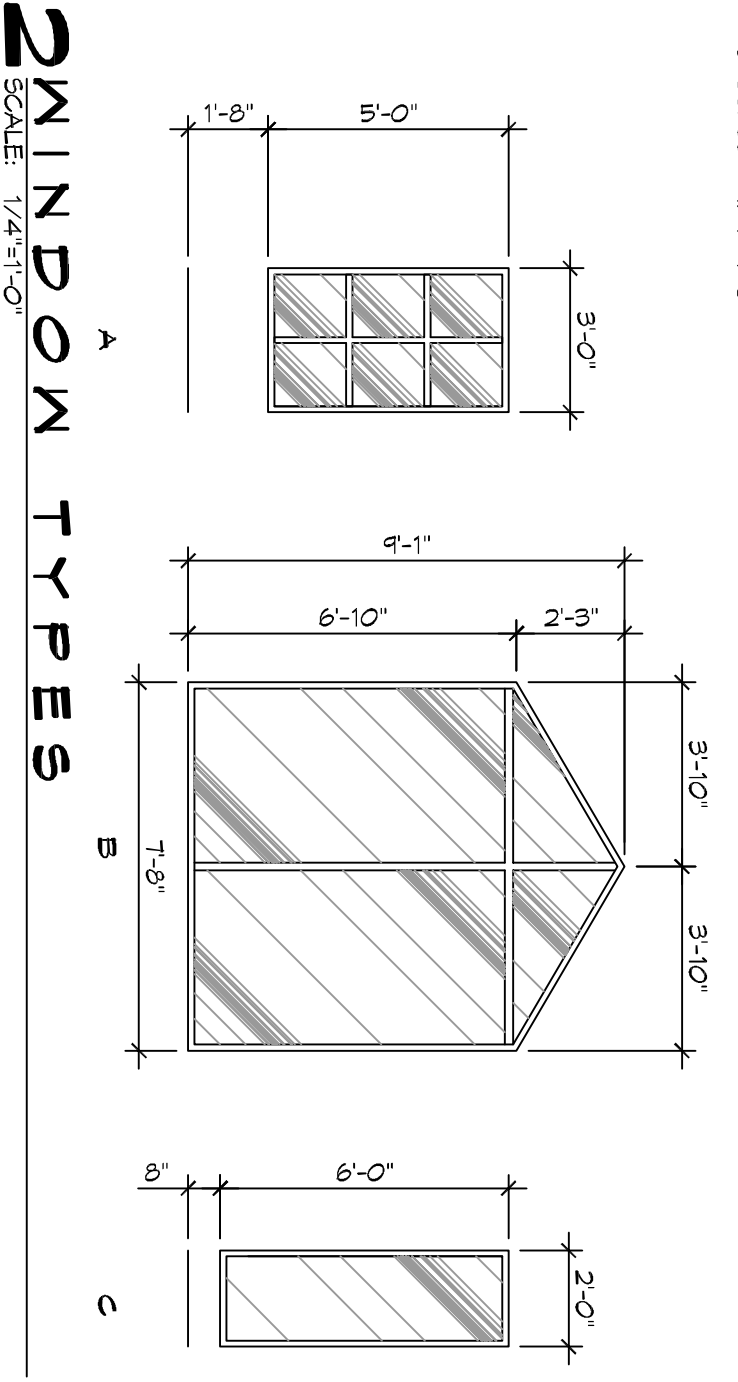
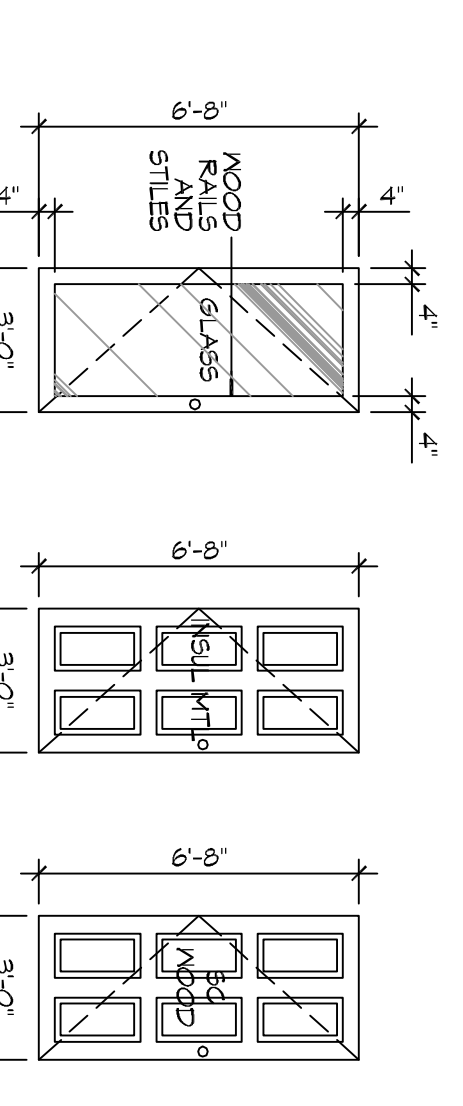


- LOCKSET SCHEDULE**
- 01 LOCKETS WITH A DEADBOLT
 - 02 CLASSROOM SECURITY LOCKSET
 - 03 INSTITUTIONAL LOCKSET
 - 04 OFFICE LOCKSET
 - 05 PASSAGE LOCKSET
 - 06 PRIVACY LOCKSET
 - 07 PUBLIC RESTROOM LOCKSET
 - 08 STOREROOM LOCKSET
 - 09 HOTEL/MOTEL
 - 10 LOCKETS WITH A DEADBOLT
 - 11 CLASSROOM SECURITY LOCKSET
 - 12 DORMITORY LOCKSET
 - 13 STOREROOM LOCKSET
 - 14 STORE DOOR LOCKSET
 - 15 DEADBOLT (NEED OUTSIDE)
 - 16 DEADBOLT (NEED ONE SIDE)
 - 17 DEADBOLT (NEED ONE SIDE - THRU/UP/N/SIDE)



DOOR SCHEDULE

NK	WIDTH	HEIGHT	THICK	FRAME MAT	DOOR MAT	GLAZING	FR	ALUMINUM STOREFRONT	REMARKS
100A	2'-3'-0"	6'-8"	1 3/4"	ALUM/GLASS	ALUM	CASFD OPNG.	NR		
100B	4'-1 1/4"	6'-8"	-	-	-	CASFD OPNG.	-		
101	3'-0"	6'-8"	1 3/4"	MASONITE	MOOD	NR	NR	6 PANEL DESIGN	
102	3'-0"	6'-8"	1 3/4"	MASONITE	MOOD	NR	NR	6 PANEL DESIGN	
103	3'-0"	6'-8"	1 3/4"	MASONITE	MOOD	NR	NR	6 PANEL DESIGN	
104	3'-0"	6'-8"	1 3/4"	MASONITE	MOOD	NR	NR	6 PANEL DESIGN	
105A	(2)3'-0"	6'-8"	1 3/4"	NSUL WTL	MOOD	NR	NR	6 PANEL DESIGN	
105B	(2)3'-0"	6'-8"	1 3/4"	NSUL WTL	MOOD	NR	NR	6 PANEL DESIGN	
105C	3'-0"	6'-8"	1 3/4"	NSUL WTL	MOOD	NR	NR	6 PANEL DESIGN	
105D	3'-0"	6'-8"	1 3/4"	NSUL WTL	MOOD	NR	NR	6 PANEL DESIGN	
107A	3'-0"	6'-8"	1 3/4"	5 C. MOOD	METAL	1 1/2"HR	NR	WITH GLOBE	
107B	3'-0"	6'-8"	1 3/4"	5 C. MOOD	METAL	1 1/2"HR	NR	WITH GLOBE	
104	3'-0"	6'-8"	1 3/4"	5 C. MOOD	METAL	20 MIN	NR	WITH GLOBE	
111	3'-0"	6'-8"	1 3/4"	5 C. MOOD	METAL	1 1/2"HR	NR	WITH GLOBE	
112	3'-0"	6'-8"	1 3/4"	5 C. MOOD	METAL	1 1/2"HR	NR	WITH GLOBE	
114A	3'-0"	6'-8"	1 3/4"	5 C. MOOD	METAL	20 MIN	NR	WITH GLOBE	
114B	3'-0"	6'-8"	1 3/4"	NSUL WTL	MOOD	NR	NR	6 PANEL DESIGN	
114C	3'-0"	6'-8"	1 3/4"	NSUL WTL	MOOD	NR	NR	6 PANEL DESIGN	
115	3'-0"	6'-8"	1 3/4"	MASONITE	MOOD	NR	NR	6 PANEL DESIGN	
116	3'-0"	6'-8"	1 3/4"	MASONITE	MOOD	NR	NR	6 PANEL DESIGN	
117	3'-0"	6'-8"	1 3/4"	MASONITE	MOOD	NR	NR	6 PANEL DESIGN	
118	3'-0"	6'-8"	1 3/4"	5 C. MOOD	METAL	20 MIN	NR	WITH GLOBE	
119	3'-0"	6'-8"	1 3/4"	5 C. MOOD	METAL	20 MIN	NR	WITH GLOBE	
120A	3'-0"	6'-8"	1 3/4"	NSUL WTL	MOOD	NR	NR	6 PANEL DESIGN	
120B	2'-2"	3'-0"	-	MOOD	MOOD	NR	NR	ATTIC ACCESS DOOR/PANEL WITH FULL-DOWN STAIRS (22X30" MIN.)	
121	3'-0"	6'-8"	1 3/4"	MASONITE	MOOD	NR	NR	6 PANEL DESIGN	
122A	3'-0"	6'-8"	1 3/4"	5 C. MOOD	METAL	20 MIN	NR	WITH GLOBE	
122B	3'-0"	6'-8"	-	CASFD OPNG.	-	NR	NR		
123	3'-0"	6'-8"	1 3/4"	5 C. MOOD	METAL	20 MIN	NR	WITH GLOBE	
124	3'-0"	6'-8"	1 3/4"	MASONITE	MOOD	NR	NR	6 PANEL DESIGN	
125	3'-0"	6'-8"	1 3/4"	5 C. MOOD	METAL	20 MIN	NR	WITH GLOBE	
126	(2)2'-10"	6'-8"	1 3/4"	MASONITE	MOOD TRACK	NR	NR	6 PANEL DESIGN IN EACH DOOR - SLIDING DOORS	
127A	3'-0"	6'-8"	1 3/4"	NSUL WTL	MOOD	NR	NR	6 PANEL DESIGN	
127B	3'-0"	6'-8"	1 3/4"	NSUL WTL	MOOD	NR	NR	6 PANEL DESIGN	
128	3'-0"	6'-8"	1 3/4"	5 C. MOOD	METAL	20 MIN	NR	WITH GLOBE	
129	(2)2'-10"	6'-8"	1 3/4"	MASONITE	MOOD TRACK	NR	NR	6 PANEL DESIGN IN EACH DOOR - SLIDING DOORS	
130	(2)2'-10"	6'-8"	1 3/4"	MASONITE	MOOD TRACK	NR	NR	6 PANEL DESIGN IN EACH DOOR - SLIDING DOORS	
131	3'-0"	6'-8"	1 3/4"	5 C. MOOD	METAL	20 MIN	NR	WITH GLOBE	
201	2'-1"	4'-6"	-	MOOD	MOOD	NR	NR	MECHANICAL ACCESS OPNG WITH DROP-DOWN STAIRS (VERIFY SIZE)	

WINDOW SCHEDULE

NK	SIZE	FRAME	TYPE	GLAZING	REMARKS
A	3'-0" W X 5'-0" H	ALUM	SLIDER	IMPACT GLASS	6 PANEL DESIGN
B	T-3PM X 6'-7" H	ALUM	FIXED	IMPACT GLASS	4 PANEL DESIGN WITH ANGLED HEAD. SEE EXTERIOR ELEVATIONS
C	2'-0" W X 6'-0" H	ALUM	FIXED	IMPACT GLASS	SINGLE PANE

FINISH SCHEDULE

ROOM NAME	ROOM NO	FLOOR	BASE	WALL	CEILING	REMARKS
FOYER	100	VCT	VINYL	5/8" GR BD/CT	5/8" GYP BD	
MEN'S	103	CERAMIC TILE	CERAMIC TILE	5/8" GR BD/CT	5/8" GR BD	MOISTURE RESISTANT
WOMEN'S	104	CERAMIC TILE	CERAMIC TILE	5/8" GR BD/CT	5/8" GR BD	MOISTURE RESISTANT
SANCTUARY	105	VCT	VINYL	5/8" GYP BD	5/8" GYP BD	
PULPIT	106	CARPET	VINYL	5/8" GYP BD	5/8" GYP BD	
CHOR LOFT	107	VCT	-	5/8" GYP BD	5/8" GYP BD	
CORRIDOR	121	VCT	VINYL	5/8" GYP BD	5/8" GYP BD	
COPY ROOM	104	VCT	VINYL	5/8" GYP BD	5/8" GYP BD	
CORRIDOR	110	VCT	VINYL	5/8" GYP BD	5/8" GYP BD	
CORRIDOR	111	CONG	-	5/8" GR BD	5/8" GR BD	MOISTURE RESISTANT
ELEC CLOS	112	CONG	-	5/8" GYP BD	5/8" GYP BD	
CORRIDOR	109	VCT	VINYL	5/8" GYP BD	5/8" GYP BD	
KITCHEN	114	VCT	VINYL	5/8" GYP BD	5/8" GYP BD	
SUNDAY SCHOOL	111	VCT	VINYL	5/8" GYP BD	5/8" GYP BD	
SUNDAY SCHOOL	116	VCT	VINYL	5/8" GYP BD	5/8" GYP BD	
SUNDAY SCHOOL	115	VCT	VINYL	5/8" GYP BD	5/8" GYP BD	
SUNDAY SCHOOL	118	VCT	VINYL	5/8" GYP BD	5/8" GYP BD	
SUNDAY SCHOOL	120	VCT	VINYL	5/8" GYP BD	5/8" GYP BD	
OFFICE	110	VCT	VINYL	5/8" GYP BD	5/8" GYP BD	
OFFICE	112	CERAMIC TILE	CERAMIC TILE	5/8" GR BD/CT	5/8" GR BD	MOISTURE RESISTANT
WOMEN'S	122	CERAMIC TILE	CERAMIC TILE	5/8" GR BD/CT	5/8" GR BD	MOISTURE RESISTANT
MEN'S	123	CERAMIC TILE	CERAMIC TILE	5/8" GR BD/CT	5/8" GR BD	MOISTURE RESISTANT
RESTROOM	124	CERAMIC TILE	CERAMIC TILE	5/8" GR BD/CT	5/8" GR BD	MOISTURE RESISTANT
SUNDAY SCHOOL	119	VCT	VINYL	5/8" GYP BD	5/8" GYP BD	
CLOSET	126	VCT	VINYL	5/8" GYP BD	5/8" GYP BD	
CORRIDOR	113	VCT	VINYL	5/8" GYP BD	5/8" GYP BD	
SUNDAY SCHOOL	128	VCT	VINYL	5/8" GYP BD	5/8" GYP BD	
SUNDAY SCHOOL	130	VCT	VINYL	5/8" GYP BD	5/8" GYP BD	
CLOSET	131	VCT	VINYL	5/8" GYP BD	5/8" GYP BD	
SUNDAY SCHOOL	131	VCT	VINYL	5/8" GYP BD	5/8" GYP BD	
2ND FL MECH.	201	VCT	VINYL	5/8" GYP BD	5/8" GYP BD	

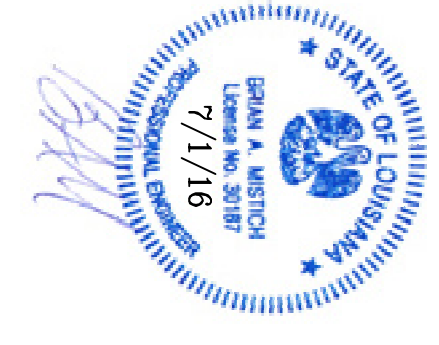
DAMMON ENGINEERING, INC.
LOUISIANA & MISSISSIPPI

Chief Engineer: Brian Mistich, PE
554 Old Spanish Trail
Slidell, LA 70458

www.dammonengineering.com
info@dammonengineering.com
PH: 985.649.5832 F: 985.641.5950

REVISIONS

#	DESCRIPTION	DATE
1	ADDED RATED DOORS	06-20-16



BAPTIST

1341 SULLIVAN DR.
SLIDELL, LA 70460

JOB No: 2274 DATE: 05/12/2016
DRAWN BY: JTL CHECKED BY: JMS

SHEET TITLE:
DOOR, WINDOW, & FINISH SCHEDULES

DRAWING NUMBER:
A103

SHEET No: 5 OF 17