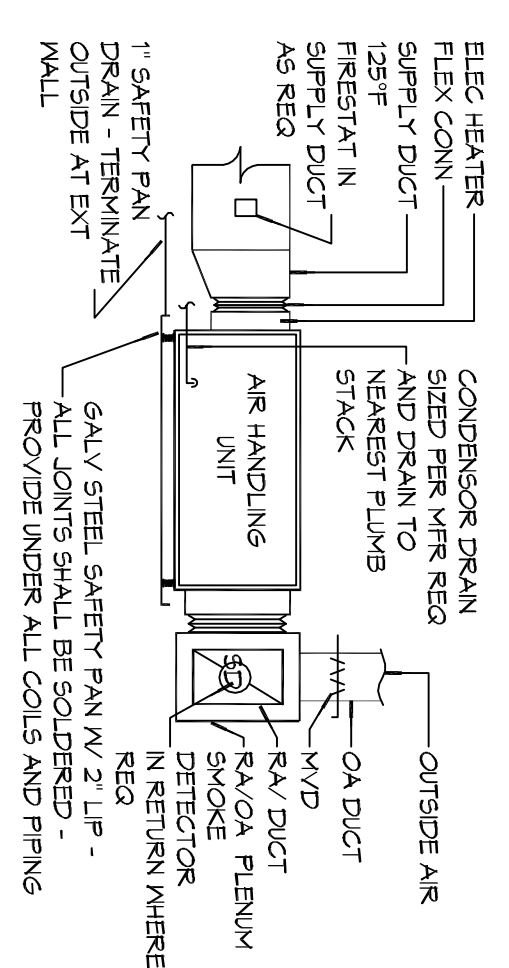
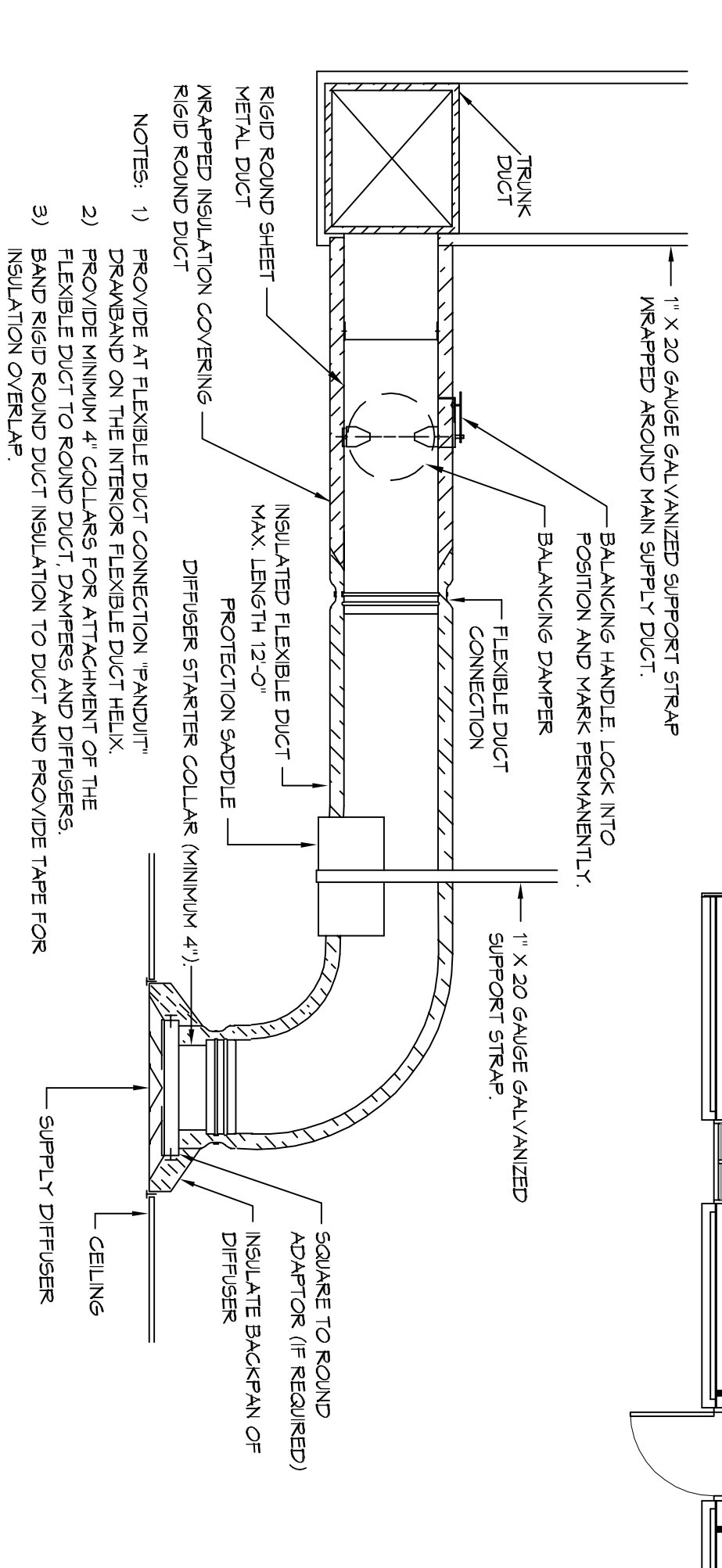


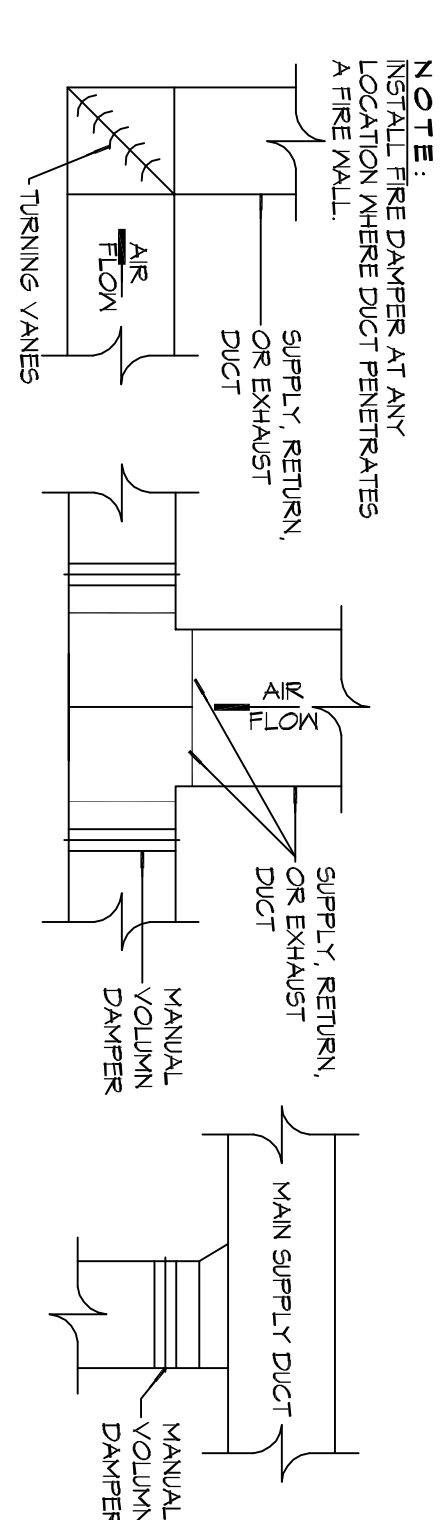
TYPICAL A/C CONDENSER DETAIL
SCALE: N.T.S.



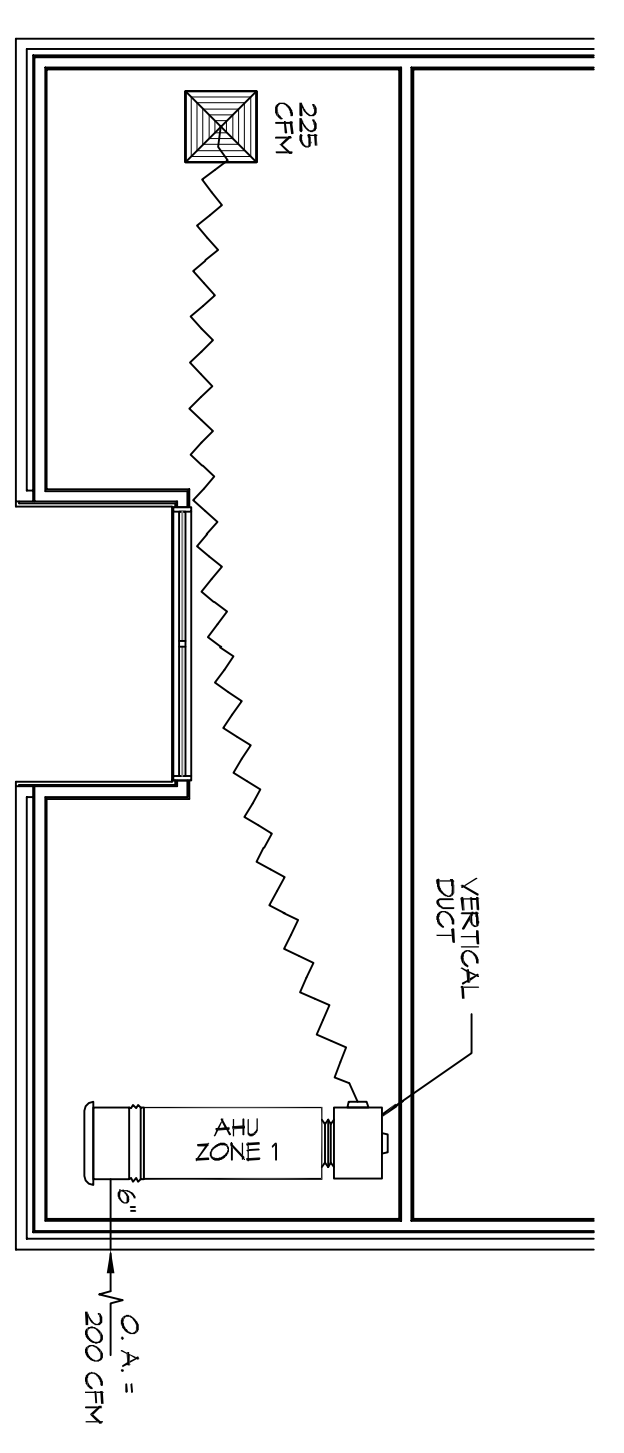
TYPICAL AHU DETAIL
SCALE: N.T.S.



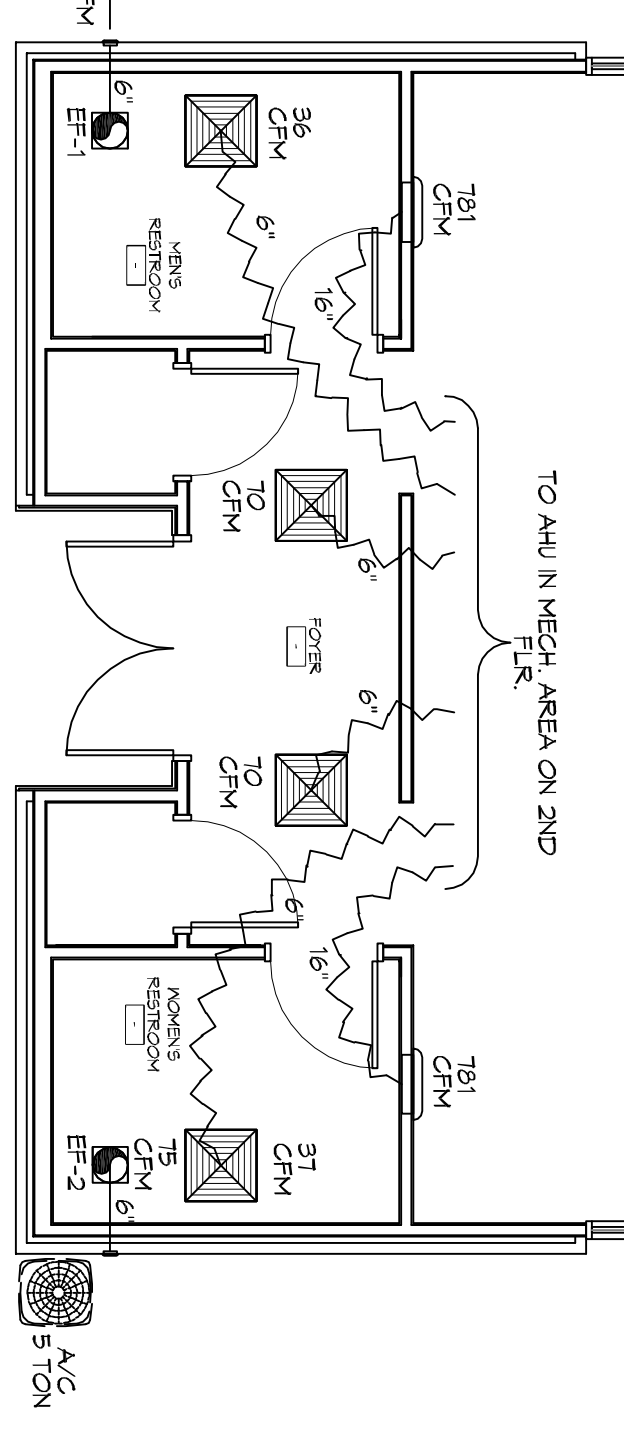
TYPICAL CEILING DIFFUSER & DUCTWORK
SCALE: N.T.S.



TYPICAL HARD DUCT DETAILS
SCALE: N.T.S.



LEVEL 2 MECHANICAL PLAN
SCALE: 3/16"=1'-0"



LEVEL 1 MECHANICAL PLAN
SCALE: 3/16"=1'-0"

A/C UNIT SCHEDULE

TOTAL BU	ELECTRICAL			MFR
	VOLT	MCA	MAX OCP	
60,000 BU, 5 TON	208V, 1Ø	35	-	TRANE OR EQUAL

AHU UNIT SCHEDULE

TOTAL BU	CFM	OA	ELECTRICAL			MFR
			HEAT (KW)	VOLT	MCA	
60,000 BU, 5 TON	2,000	307	10.8	208V, 1Ø	46.0	-
60,000 BU, 5 TON	2,000	307	10.8	208V, 1Ø	46.0	-
60,000 BU, 5 TON	2,000	307	10.8	208V, 1Ø	46.0	-

PTAC SCHEDULE

UNIT	TOTAL BTU	ELECTRICAL			MFR		
		CFM	OA	HEAT (KW)			
PT-1 OFFICE	9,000	360	36	3.5	208V, 3Ø	14.5	AYANA

EXHAUST FAN SCHEDULE

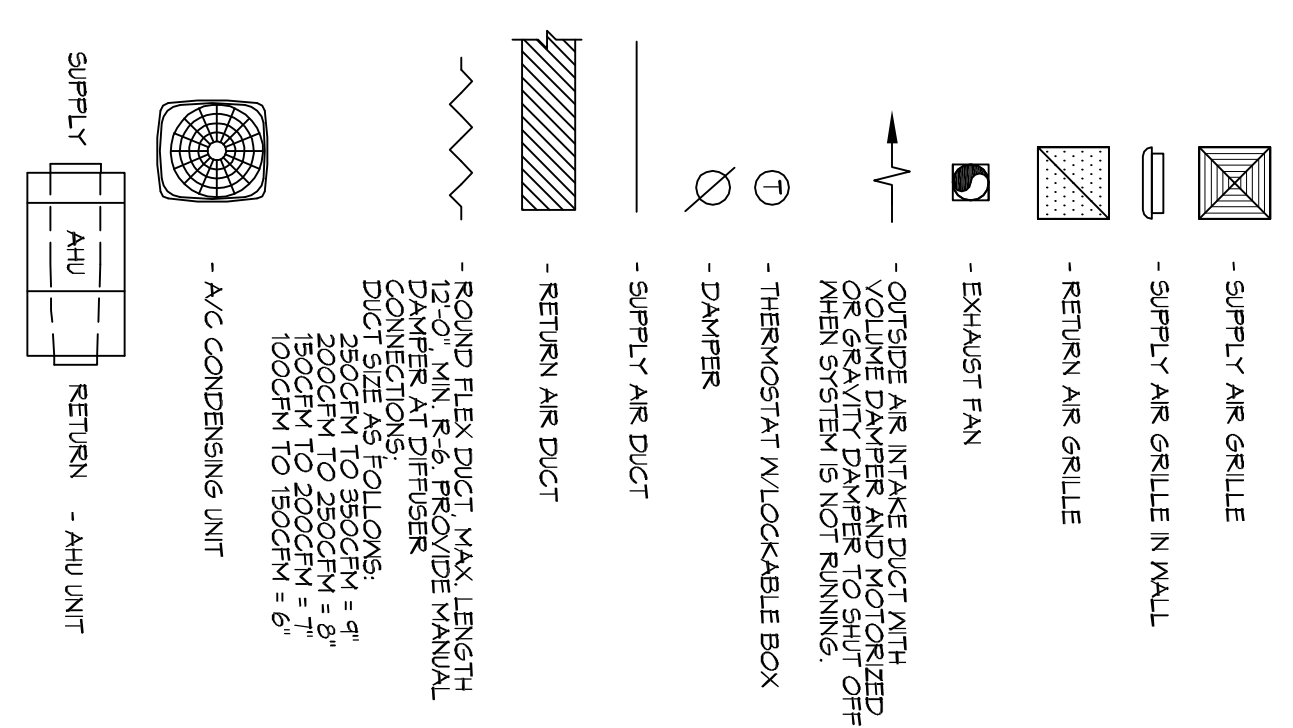
FAN NO.	CFM	VOLTAGE	TYPE	MFR/LOCATION
EXH-1	15	120	VENT	BROAN
EXH-2	150	120	VENT	BROAN

NOTE:
1. ALL FANS INSTALLED IN RATED ASSEMBLIES SHALL BE EQUIPPED W/ APPROPRIATE FIRE DAMPERS TO MATCH ASSEMBLY FIRE RATING.
2. PAINT ALL SHUTTERS AND EXTERIOR GRILLES TO COLOR SPECIFICATION BY ARCHITECT.
3. PROVIDE BACKFLOW PREVENTER ON ALL EXHAUST SYSTEMS.
4. PROVIDE BACKFLOW PREVENTER ON ALL EXHAUST SYSTEMS.

GENERAL HVAC NOTES

- OWNER HAS THE OPTION FOR AYANA DIGITAL SYSTEM FOR PTAC UNITS.
- CONDENSED DUCTWORK TO BE GALVANIZED SHEET METAL LINED WITH FIBROUS GLASS DUCT LINER, MIN R-6, INSTALLED PER SWANNA STANDARDS.
- EXPOSED DUCTWORK TO BE GALVANIZED SHEET METAL LINED WITH FIBROUS GLASS DUCT LINER, MIN R-6, INSTALLED PER SWANNA STANDARDS.
- DUCT FLEXIBLE DUCT TO BE UL-181, CLASS 1, AIR DUCT MATERIALS.
- DUCT SIZES SHOWN ARE CLEAR INSIDE DIMENSIONS.
- IN ALL SYSTEMS OVER 2000 CFM AND LESS THAN 15,000 CFM, SMOKE DETECTORS SHALL BE INSTALLED IN ACCORDANCE WITH NFPA 72E IN THE RETURN DUCT DOWNSTREAM OF THE AIR HANDLING UNIT AND ALL FILTERS TO AUTOMATICALLY STOP THE FAN.
- PROVIDE UL LISTED 125 F° FRESH AIR IN RETURN AIR OF EACH SYSTEM UNDER 2000 CFM TO SHUT DOWN THE FAN IN THE EVENT OF FIRE.
- PROVIDE UL RATED FIRE DAMPERS WHERE REQUIRED AT ALL DUCT PENETRATIONS OF FIRE-RATED ASSEMBLIES AND WHERE REQUIRED BY CODE, INCLUDING OUTSIDE AIR INTAKES AND EXHAUST FANS.
- CONDENSATE DRAINS TO BE PVC PIPE RUN TO PLUMBERS F-TRAP WITHIN FIVE FEET OF AIR HANDLING UNITS.
- ALL AIR HANDLING SYSTEMS TO BE BALANCED TO ASSURE PROPER AIR FLOW PER PLANS.
- ALL THERMOSTATS TO BE AUTOMATIC CHANGE-OVER WITH HEAT SWITCH.
- EXHAUST FAN SHALL BE CONTROLLED BY A SWITCH ON THE WALL IN THE SAME LOCATION AS LIGHT SWITCHES. PROVIDE BACK DRAFT DAMPER.
- PROVIDE AND INSTALL WATER PROOF GRILLE VENT IN PROPER ROOF LOCATION FOR PLUMBING FIXTURE EXHAUST.
- ALL SUPPLY AIR VENTS SHALL BE EQUIPPED WITH AIR CONTROL DAMPERS AT THE RESESTER.
- LOCATE OUTDOOR UNITS AS SHOWN ON ARCHITECTURAL DRAWINGS.
- RESESTER TINES SHALL BE SIZED BY UNIT MANUFACTURER AND INSTALLED ACCORDING TO MANUFACTURER'S INSTRUCTIONS.
- FRESH AIR SHALL BE SUPPLIED TO EACH AIR HANDLER THROUGH EXTERIOR WALL DUCT SUPPLIED WITH A CONTROL DAMPER.
- ALL ELECTRICAL, MECHANICAL, AND PLUMBING PENETRATING FIRE WALLS SHALL BE FIRE RATED PENETRATIONS THROUGH RATED WALLS AND CEILING. PROVIDE FIRE RATED PENETRATIONS THROUGH RATED WALLS AND CEILING. PROVIDE THE MESSAGE OF FLAMES AND HOT GASES WHEN TESTED IN ACCORDANCE WITH ASTM E-141.
- ALL MECHANICAL SYMBOLS ARE DRAWN DIMENSIONALLY ACCORDING TO VENTILATION WITH OWNER LOCATIONS OF VENTS, DAMPERS, RESESTERS, ETC.
- FLEXIBLE DUCTWORK LENGTH NOT TO EXCEED 12'-0".
- REFER TO REFLECTED CEILING PLAN FOR FINAL GRILLE AND DIFFUSER LOCATIONS AND COORDINATE AS REQUIRED.
- FINAL LOCATION OF TEMPERATURE CONTROLS TO BE COORDINATED WITH OWNER AT JOB SITE.
- PROVIDE AND INSTALL SMOKE DETECTORS AS APPROVED BY LOCAL A.H.U.S. PLACE NEAR E.V.A AND S.V.A OPENINGS OF AHU AND PROVIDE WITH ACCESS PANEL, WIRING BY ELECTRICAL CONTRACTOR.
- FRESH AIR INTAKES ARE REQUIRED TO HAVE MOTORIZED OR GRAVITY DAMPERS TO SHUT OFF WHEN SYSTEM IS NOT RUNNING.
- PROVIDE BIRD SCREENS AT ALL EXTERIOR MECHANICAL PENETRATIONS.
- COORDINATE WALL MOUNTED THERMOSTAT LOCATIONS WITH ALL OWNER FURNISHED ITEMS EITHER WALL MOUNTED OR FLOOR MOUNTED AGAINST PARTITIONS. REFER TO ARCHITECTURAL DRAWINGS.
- SEE ROOF PLAN FOR ALL ROOF PENETRATIONS.
- PROVIDE MIN 18 GA GALVANIZED SHEET METAL TO BLANK-OFF GAUBLE VENTS WHERE INTAKE/EXHAUST DUCTS OCCUR.

LEGEND



DAMMON ENGINEERING, INC.
LOUISIANA & MISSISSIPPI

Chief Engineer: Brian Mistich, PE
554 Old Spanish Trail
Slidell, LA 70458

www.dammonengineering.com
info@dammonengineering.com
PH: 985.649.5832 F: 985.641.9500



REVISIONS

#	DESCRIPTION	DATE

JOB NO: 2274 DATE: 05/12/2016
DRAWN BY: KHM CHECKED BY: BAM

M101

1941 SULLIVAN DR.
SLIDELL, LA 70460

MAY 10 2016

MECHANICAL PLAN

DRAWING NUMBER:

SHEET NO. 14 OF 17