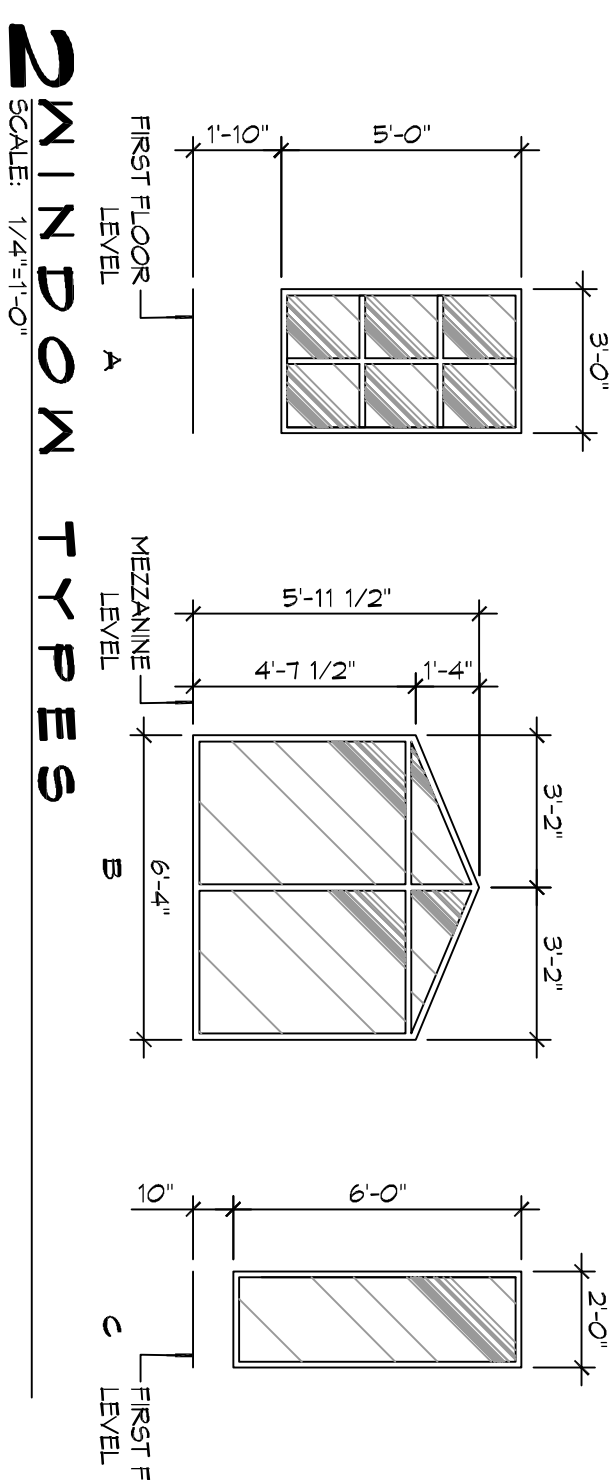
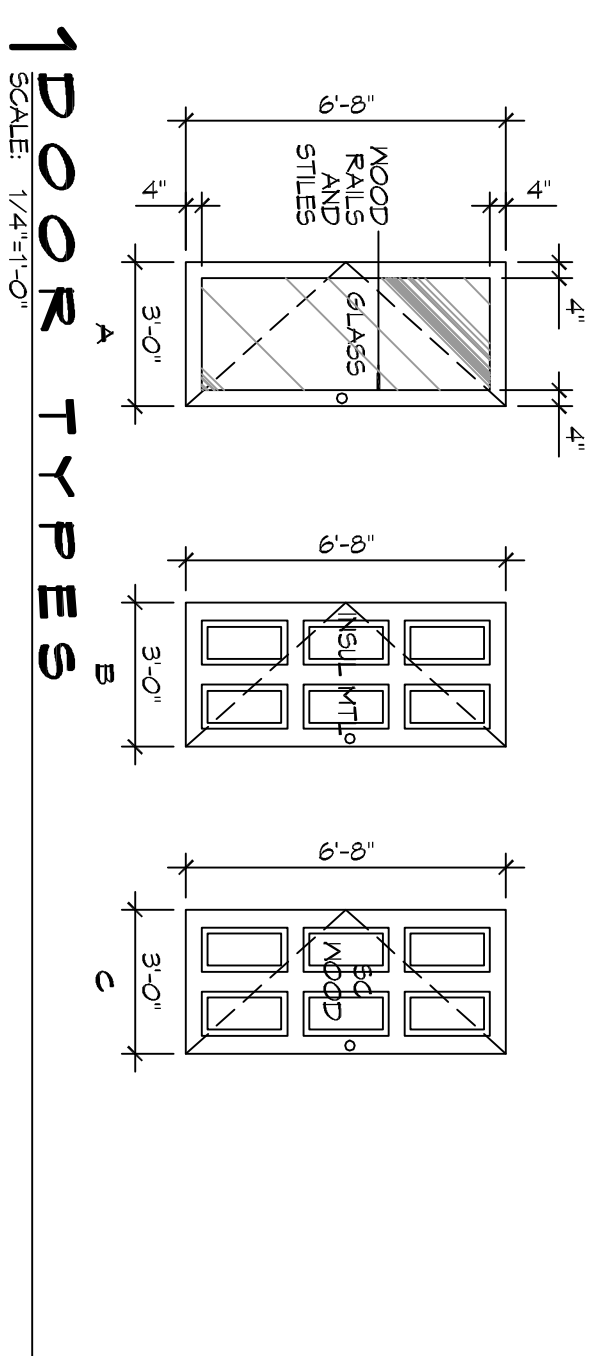


- LOCKSET SCHEDULE**
- 01 LOCKETS WITH A DEADBOLT
 - 02 CLASSROOM SECURITY LOCKSET
 - 03 INSTITUTIONAL LOCKSET
 - 04 OFFICE LOCKSET
 - 05 PASSAGE LOCKSET
 - 06 PRIVACY LOCKSET
 - 07 PUBLIC RESTROOM LOCKSET
 - 08 STOREROOM LOCKSET
 - 09 HOTEL/MOTEL
 - 10 DEARBOLT (KERB ON INSIDE)
 - 11 DEARBOLT (KERB ON INSIDE) - THRU/JEN (NSDF)
 - 12 CLASSROOM SECURITY LOCKSET
 - 13 STOREROOM LOCKSET
 - 14 STORE DOOR LOCKSET
 - 15 DEARBOLT (KERB OUTSIDE)
 - 16 DEARBOLT (KERB ONE SIDE)
 - 17 DEARBOLT (KERB ONE SIDE) - THRU/JEN (NSDF)

NOTE:
SEE STOREFRONT ELEVATIONS FOR DOOR FRAME TYPES



DOOR SCHEDULE

NK	WIDTH	HEIGHT	THICK	DOOR MAT	FRAME MAT	FR	REMARKS
100A	2'-3'-0"	6'-8"	1 3/4"	ALUM/GLASS	ALUM	NR	ALUMINUM STOREFRONT
100B	4'-1 1/4"	6'-8"	-	-	CASFD OPNG.	-	
101	3'-0"	6'-8"	1 3/4"	MASONITE	MOOD	NR	6 PANEL DESIGN
102	3'-0"	6'-8"	1 3/4"	MASONITE	MOOD	NR	6 PANEL DESIGN
103	3'-0"	6'-8"	1 3/4"	MASONITE	MOOD	NR	6 PANEL DESIGN
104	3'-0"	6'-8"	1 3/4"	MASONITE	MOOD	NR	6 PANEL DESIGN
105A	(2)3'-0"	6'-8"	1 3/4"	NSUL WTL	MOOD	NR	6 PANEL DESIGN
105B	(2)3'-0"	6'-8"	1 3/4"	NSUL WTL	MOOD	NR	6 PANEL DESIGN
105C	3'-0"	6'-8"	1 3/4"	5 C. MOOD	METAL	NR	1 1/2"HR. MTH GLOSARE
105D	3'-0"	6'-8"	1 3/4"	5 C. MOOD	METAL	NR	1 1/2"HR. MTH GLOSARE
107A	3'-0"	6'-8"	1 3/4"	5 C. MOOD	METAL	NR	1 1/2"HR. MTH GLOSARE
107B	3'-0"	6'-8"	1 3/4"	5 C. MOOD	METAL	NR	1 1/2"HR. MTH GLOSARE
104	3'-0"	6'-8"	1 3/4"	5 C. MOOD	METAL	NR	1 1/2"HR. MTH GLOSARE
111	3'-0"	6'-8"	1 3/4"	5 C. MOOD	METAL	NR	1 1/2"HR. MTH GLOSARE
112	3'-0"	6'-8"	1 3/4"	5 C. MOOD	METAL	NR	1 1/2"HR. MTH GLOSARE
114A	3'-0"	6'-8"	1 3/4"	5 C. MOOD	METAL	NR	1 1/2"HR. MTH GLOSARE
114B	3'-0"	6'-8"	1 3/4"	NSUL WTL	MOOD	NR	6 PANEL DESIGN
114C	3'-0"	6'-8"	1 3/4"	NSUL WTL	MOOD	NR	6 PANEL DESIGN
115	3'-0"	6'-8"	1 3/4"	MASONITE	MOOD	NR	6 PANEL DESIGN
116	3'-0"	6'-8"	1 3/4"	MASONITE	MOOD	NR	6 PANEL DESIGN
117	3'-0"	6'-8"	1 3/4"	MASONITE	MOOD	NR	6 PANEL DESIGN
118	3'-0"	6'-8"	1 3/4"	5 C. MOOD	METAL	NR	20 WIN. MTH GLOSARE
119	3'-0"	6'-8"	1 3/4"	5 C. MOOD	METAL	NR	20 WIN. MTH GLOSARE
120A	3'-0"	6'-8"	1 3/4"	NSUL WTL	MOOD	NR	6 PANEL DESIGN
120B	2'-2"	3'-0"	-	MOOD	MOOD	NR	ATTIC ACCESS DOOR/PANEL WITH FULL-DOWN STAIRS (22X30" MIN.)
121	3'-0"	6'-8"	1 3/4"	MASONITE	MOOD	NR	6 PANEL DESIGN
122A	3'-0"	6'-8"	1 3/4"	5 C. MOOD	METAL	NR	20 WIN. MTH GLOSARE
122B	3'-0"	6'-8"	-	-	CASFD OPNG.	-	
123	3'-0"	6'-8"	1 3/4"	5 C. MOOD	METAL	NR	20 WIN. MTH GLOSARE
124	3'-0"	6'-8"	1 3/4"	MASONITE	MOOD	NR	6 PANEL DESIGN
125	3'-0"	6'-8"	1 3/4"	MASONITE	MOOD	NR	6 PANEL DESIGN
126	(2)2'-10"	6'-8"	1 3/4"	MASONITE	MOOD TRACK	NR	6 PANEL DESIGN IN EACH DOOR - SLIDING DOORS
127A	3'-0"	6'-8"	1 3/4"	NSUL WTL	MOOD	NR	6 PANEL DESIGN
127B	3'-0"	6'-8"	1 3/4"	NSUL WTL	MOOD	NR	6 PANEL DESIGN
128	3'-0"	6'-8"	1 3/4"	5 C. MOOD	METAL	NR	20 WIN. MTH GLOSARE
129	(2)2'-10"	6'-8"	1 3/4"	MASONITE	MOOD TRACK	NR	6 PANEL DESIGN IN EACH DOOR - SLIDING DOORS
130	(2)2'-10"	6'-8"	1 3/4"	MASONITE	MOOD TRACK	NR	6 PANEL DESIGN IN EACH DOOR - SLIDING DOORS
131	3'-0"	6'-8"	1 3/4"	5 C. MOOD	METAL	NR	20 WIN. MTH GLOSARE
201A	2'-1"	4'-6"	-	MOOD (GYP BD)	MOOD	NR	ACCESS PANEL FLUSH WITH WALL
201B	2'-0"	2'-0"	1/2"	PLYWOOD	MOOD	NR	ACCESS PANEL FLUSH WITH WALL
203	2'-0"	2'-0"	1/2"	PLYWOOD	MOOD	NR	ACCESS PANEL FLUSH WITH WALL

WINDOW SCHEDULE

NK	SIZE	FRAME	TYPE	GLAZING	REMARKS
A	3'-0"X 5'-0"	ALUM	SLIDER	IMPACT GLASS	6 PANE DESIGN
B	7'-8"X 6'-7"	ALUM	FIXED	IMPACT GLASS	4 PANE DESIGN WITH ANGLED HEAD SEE EXTERIOR ELEVATIONS
C	2'-0"X 6'-0"	ALUM	FIXED	IMPACT GLASS	SINGLE PANE

FINISH SCHEDULE

ROOM NAME	ROOM NO	FLOOR	BASE	WALL	CEILING	REMARKS
FOYER	100	VCT	VINYL	5/8" GYP BD	5/8" GYP BD	
MENS	103	CERAMIC TILE	CERAMIC TILE	5/8" GR BD/CT	5/8" GR BD	MOISTURE RESISTANT
WOMENS	104	CERAMIC TILE	CERAMIC TILE	5/8" GR BD/CT	5/8" GR BD	MOISTURE RESISTANT
SANCTUARY	105	VCT	VINYL	5/8" GYP BD	5/8" GYP BD	
LIFT	106	CARPET	VINYL	5/8" GYP BD	5/8" GYP BD	
CHOR LIFT	107	VCT	VINYL	5/8" GYP BD	5/8" GYP BD	
CORRIDOR	121	VCT	VINYL	5/8" GYP BD	5/8" GYP BD	
COPY ROOM	104	VCT	VINYL	5/8" GYP BD	5/8" GYP BD	
CORRIDOR	110	VCT	VINYL	5/8" GYP BD	5/8" GYP BD	
BAPTISTRY	111	CONG	-	5/8" GR BD	5/8" GR BD	MOISTURE RESISTANT
ELEC CLOS	112	CONG	VINYL	5/8" GYP BD	5/8" GYP BD	
CORRIDOR	108	VCT	VINYL	5/8" GYP BD	5/8" GYP BD	
KITCHEN	114	VCT	VINYL	5/8" GYP BD	5/8" GYP BD	
SUNDAY SCHOOL	111	VCT	VINYL	5/8" GYP BD	5/8" GYP BD	
SUNDAY SCHOOL	116	VCT	VINYL	5/8" GYP BD	5/8" GYP BD	
SUNDAY SCHOOL	115	VCT	VINYL	5/8" GYP BD	5/8" GYP BD	
OFFICE	118	VCT	VINYL	5/8" GYP BD	5/8" GYP BD	
SUNDAY SCHOOL	125	VCT	VINYL	5/8" GYP BD	5/8" GYP BD	
CORRIDOR	120	VCT	VINYL	5/8" GYP BD	5/8" GYP BD	
OFFICE	119	VCT	VINYL	5/8" GYP BD	5/8" GYP BD	
WOMENS	122	CERAMIC TILE	CERAMIC TILE	5/8" GR BD	5/8" GR BD	MOISTURE RESISTANT
MENS	123	CERAMIC TILE	CERAMIC TILE	5/8" GR BD/CT	5/8" GR BD	MOISTURE RESISTANT
RESTROOM	124	CERAMIC TILE	CERAMIC TILE	5/8" GR BD/CT	5/8" GR BD	MOISTURE RESISTANT
SUNDAY SCHOOL	114	VCT	VINYL	5/8" GYP BD	5/8" GYP BD	
CLOSET	126	VCT	VINYL	5/8" GYP BD	5/8" GYP BD	
CORRIDOR	113	VCT	VINYL	5/8" GYP BD	5/8" GYP BD	
SUNDAY SCHOOL	128	VCT	VINYL	5/8" GYP BD	5/8" GYP BD	
CLOSET	130	VCT	VINYL	5/8" GYP BD	5/8" GYP BD	
CLOSET	129	VCT	VINYL	5/8" GYP BD	5/8" GYP BD	
SUNDAY SCHOOL	131	VCT	VINYL	5/8" GYP BD	5/8" GYP BD	
2ND FL MECH.	201	VCT	VINYL	5/8" GYP BD	5/8" GYP BD	

DAMMON ENGINEERING, INC.
LOUISIANA & MISSISSIPPI

Chief Engineer: Brian Mistich, PE
554 Old Spanish Trail
Slidell, LA 70458

www.dammonengineering.com
info@dammonengineering.com
PH: 985.649.5832 F: 985.641.5950

STATE OF MISSISSIPPI
SEAL: 7/21/16

REVISIONS

#	DESCRIPTION	DATE
1		

BAPTIST

1341 SULLIVAN DR.
SLIDELL, LA 70460

JOB No: 2274 DATE: 07/21/2016
DRAWN BY: JTL CHECKED BY: JMS

SHEET TITLE:
DOOR, WINDOW, &
FINISH SCHEDULES

DRAWING NUMBER:
A103

5 OF 17