

**FILL CALCS**  
 74.05 s.f. (Section B) x 52.75' (Section A) = 3,906 c.f.  
 36.35 s.f. (Section A) x 43.50' (Section B) = 3,949 c.f.  
 Average Fill Calcs = 3,653 c.f.

**RE-SHAPE EXISTING 25' SWALE**  
 3 sections of swale average 3.95 s.f. x 183 linear ft long  
 Average Fill Calc for Swale = 123 c.f.

(NOTE: ALL SIDEWALKS and DRIVES ARE LEVEL WITH EXISTING GRADES)

Fill Total = 4,376 c.f.

**SWALE BETWEEN BUILDING CUT CALCS**  
 AVERAGE AREA = 1.32 s.f. x 1.15 s.f. = 1.38 s.f.  
 LENGTH OF SWALE = 183 ft  
 Volume of SWALE CUT = 183 c.f.

**RE-SHAPE EXISTING 25' SWALE CUT CALCS**  
 3 sections of swale average 4.95 s.f. x 183 linear ft long  
 Average Fill Calc for Swale = 906 c.f.

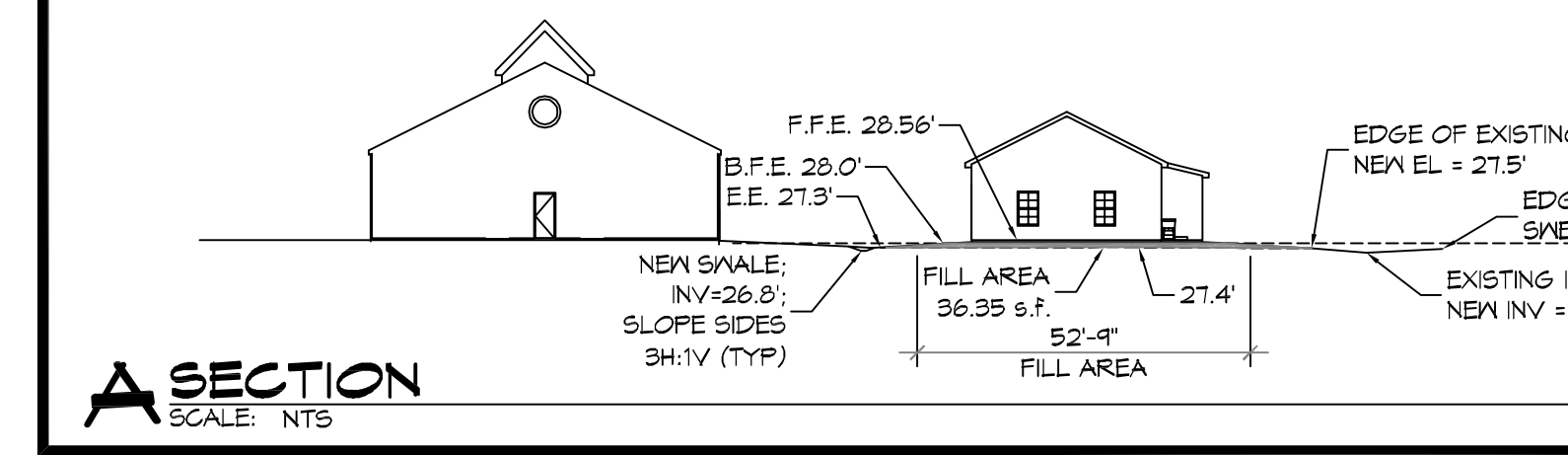
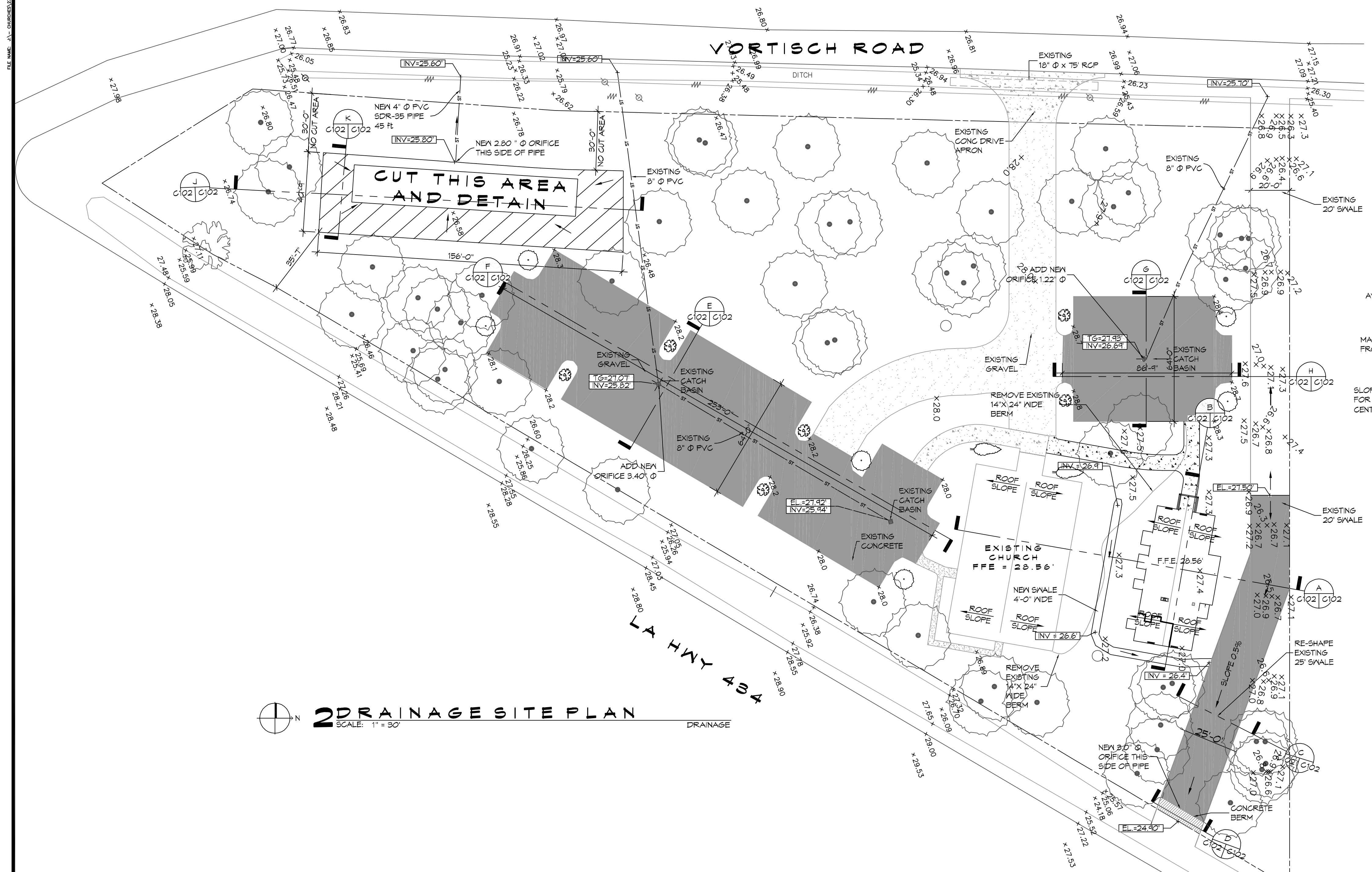
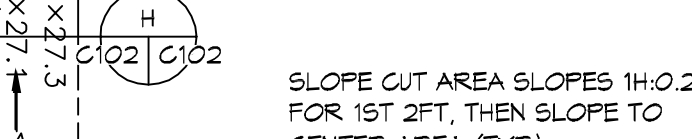
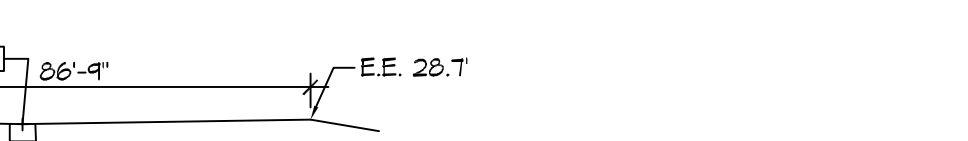
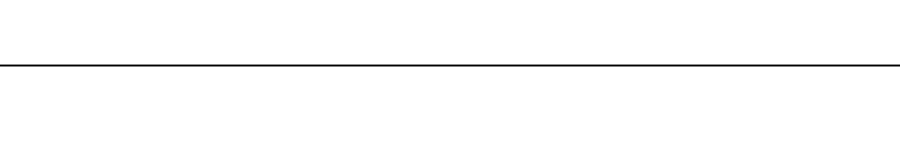
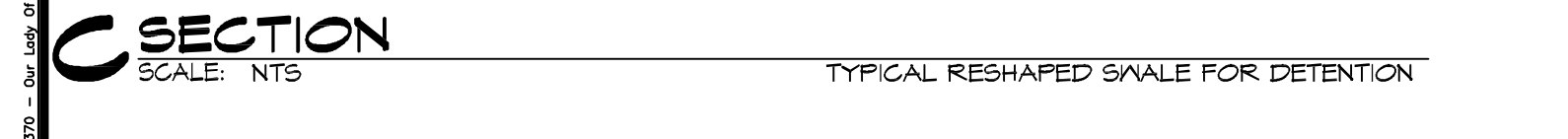
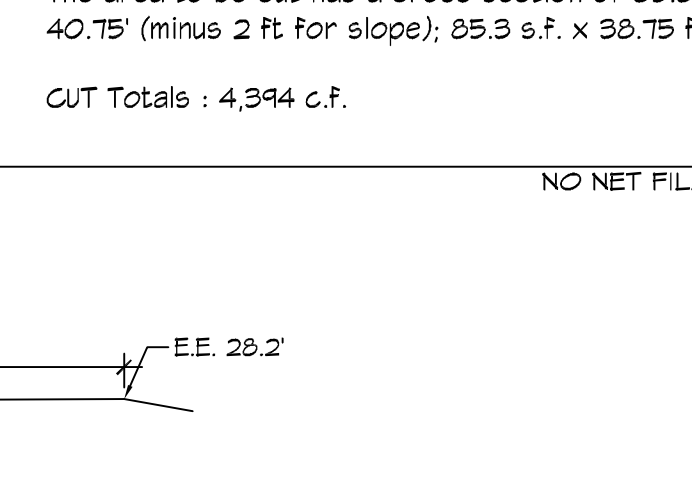
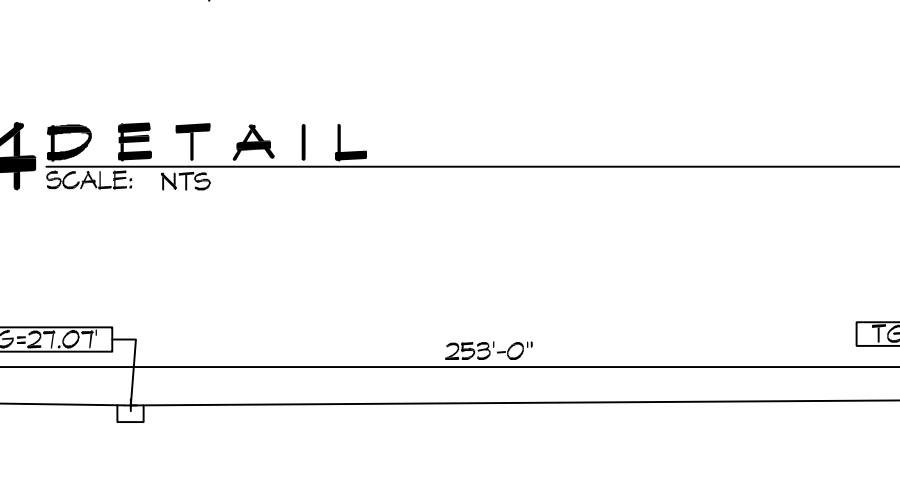
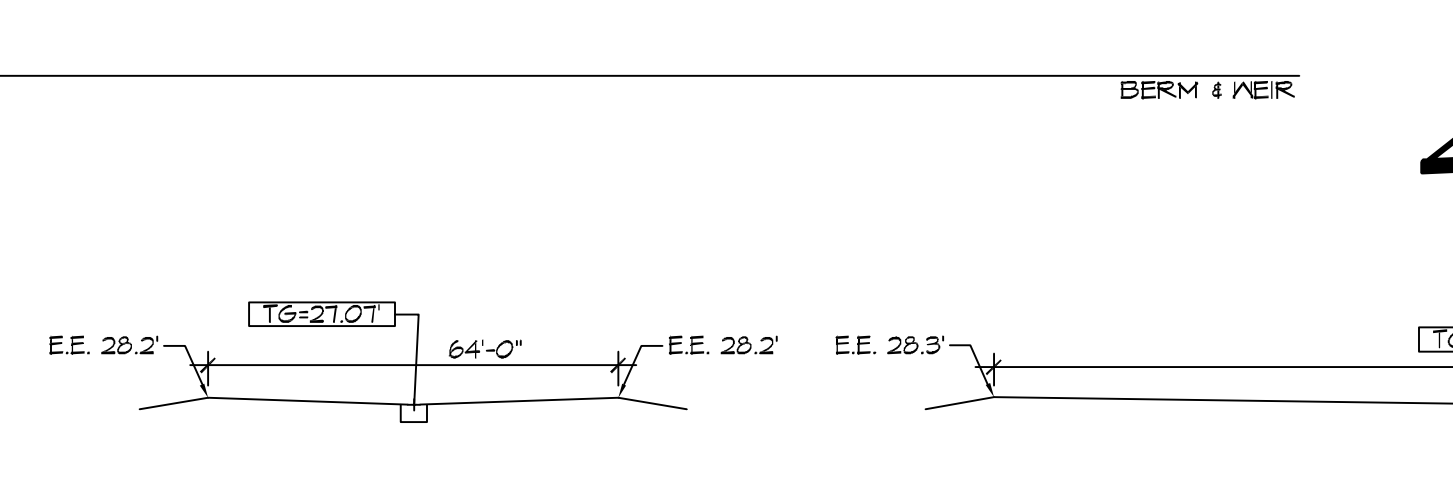
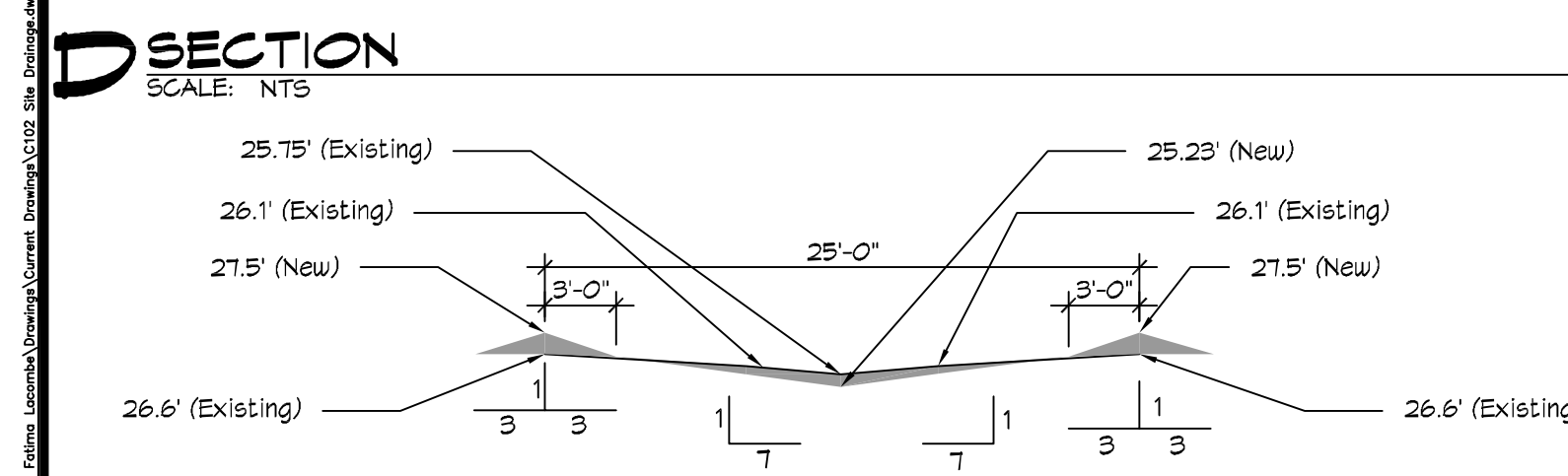
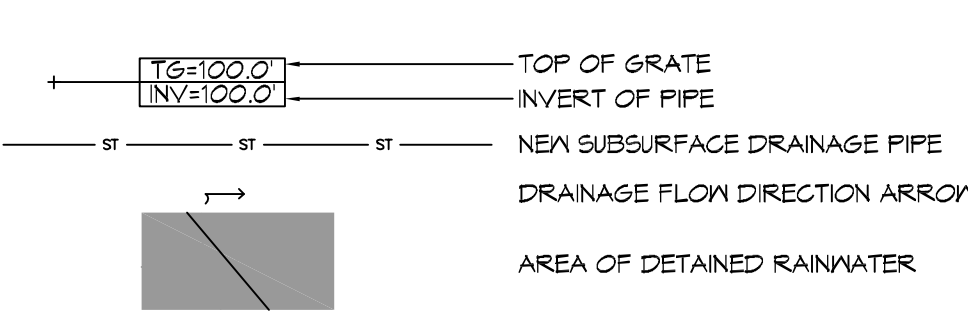
**WOODED AREA CUT CALCS**  
 Slope the first 2 feet of the perimeter of cut area with 1H:0.2V Slope  
 The area to be cut has a cross section of 85.3 s.f. and width of 40.75' (minus 2 ft for slope); 85.3 s.f. x 38.75 ft = 3,305 c.f.

CUT Totals = 4,394 c.f.

### GENERAL SITE DRAINAGE NOTES

1. REMOVE DEBRIS AND CLEAN BOTTOM OF EXISTING SWELL.
2. ALL ELEVATIONS SHOWN ARE M.S.L. AND ARE PLUS OR MINUS.
3. FIELD VERIFY ALL ELEVATIONS AND DRAINAGE SYSTEM PLACEMENT PRIOR TO START OF WORK.

### SITE DRAINAGE LEGEND



**DAMMON ENGINEERING, INC.**  
 LOUISIANA & MISSISSIPPI  
 Chief Engineer: Brian Mitchell, PE  
 554 Old Spanish Trail  
 Slidell, LA 70688  
 www.dammoneengineering.com  
 info@dammoneengineering.com  
 PH: 905.649.9532

| # | DESCRIPTION | DATE |
|---|-------------|------|
|   |             |      |
|   |             |      |
|   |             |      |
|   |             |      |
|   |             |      |

SEAL:

MULTI-PURPOSE BUILDING  
 OF A  
 LADY OF A  
 PURA  
 T - M  
 OF A  
 6610 VORTISCH ROAD  
 LACOMBE, LOUISIANA 70445  
 JOB No: 25710 DATE: 08-17-2020  
 DRAWN BY: CKD CHECKED BY: CKD

SHEET TITLE:  
 SITE PLAN - DRAINAGE

DRAWING NUMBER:  
**C102**

SHEET No: 4 of 12