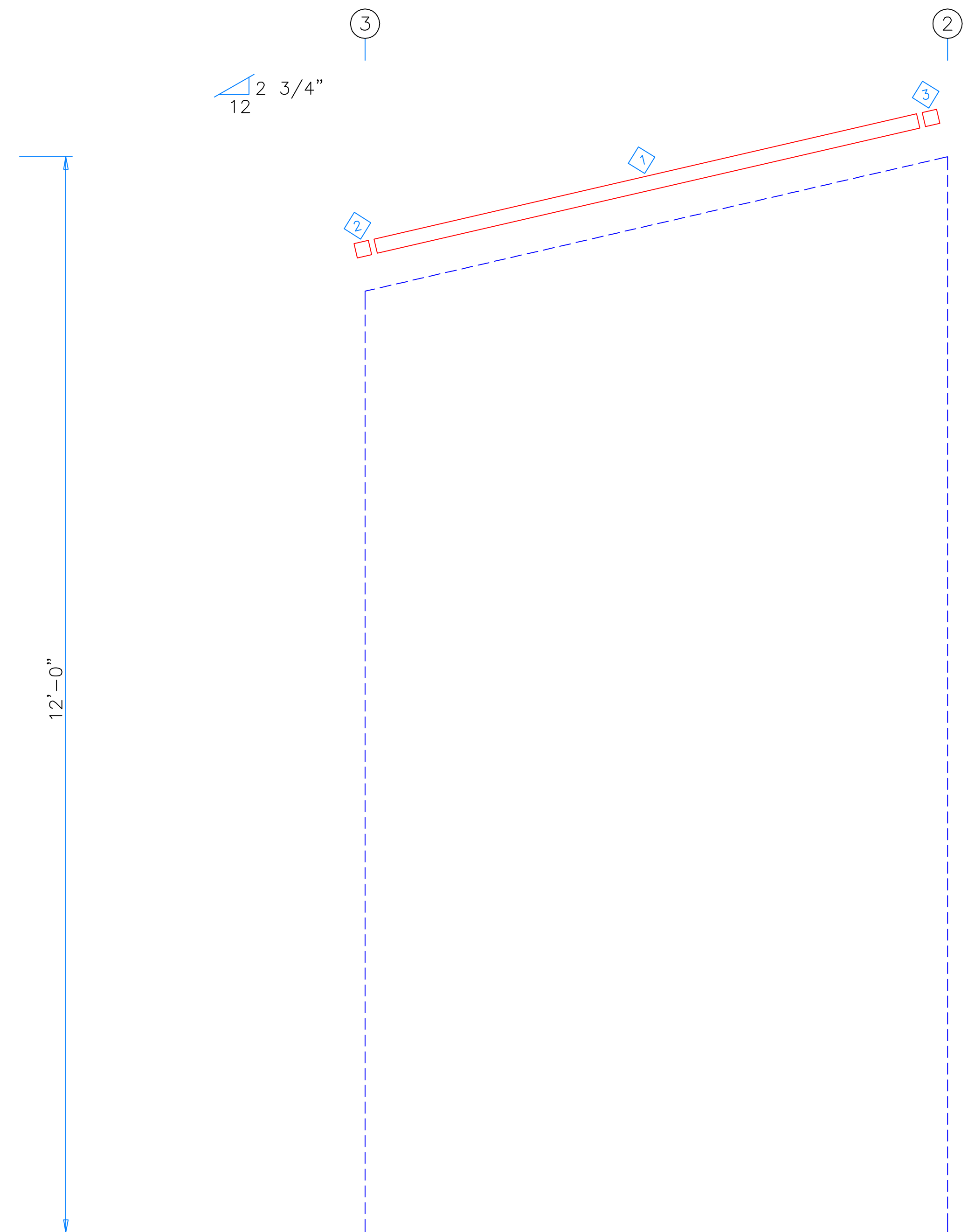


ENDWALL FRAMING: FRAME LINE B



ENDWALL SHEETING & TRIM: FRAME LINE B

TRIM TABLE	
FRAME LINE B	
ID	MARK
1	FL4
2	FL4L
3	FL4R



5001 Parie Road Chalmette, LA 70043
 (800) 783-2647 (504) 277-7330 (fax)
 www.corrugatedind.com

DESCRIPTION: ENDWALL FRAMING							
CUSTOMER: DLR				PROJECT: PRJ			
LOCATION: PRJ Address 2							
DRN. BY	CK'D BY	DATE	SCALE	REV.	QUOTATION NO.	SHEET NO.	
DET	DES	6/23/20	N.T.S.	00	124-2	OF	